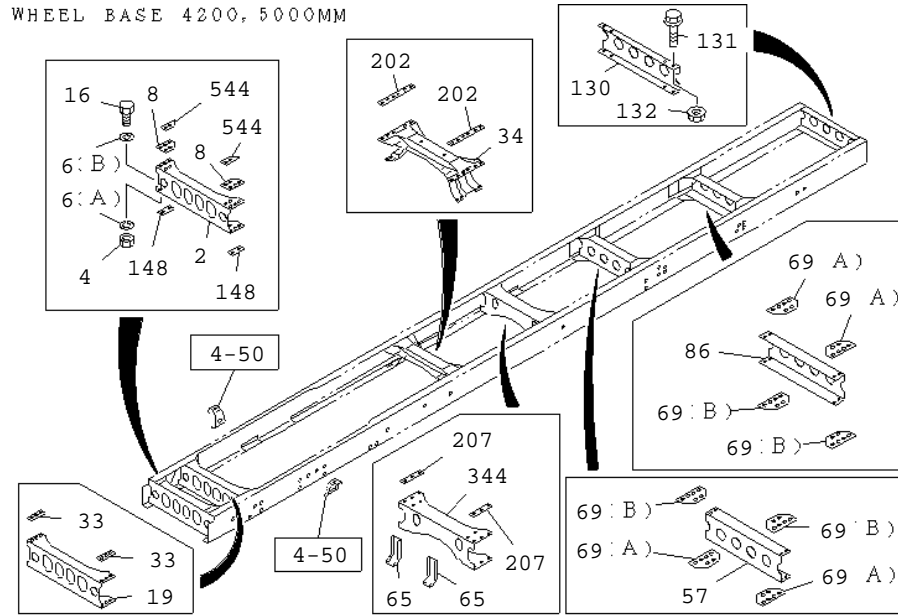


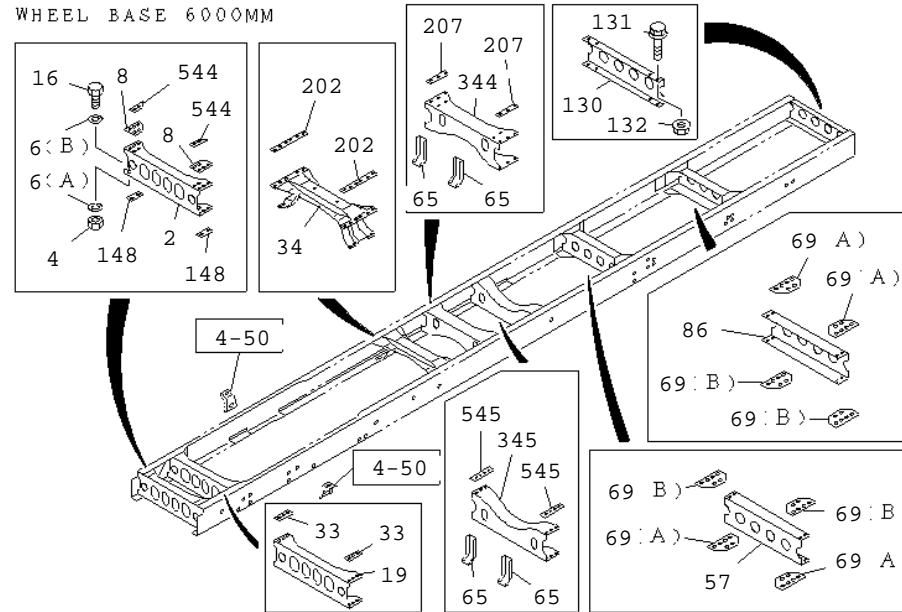
5-01 FRAME AND OTHER PARTS

CROSS MEMBER NO.1

WHEEL BASE 4200, 5000MM



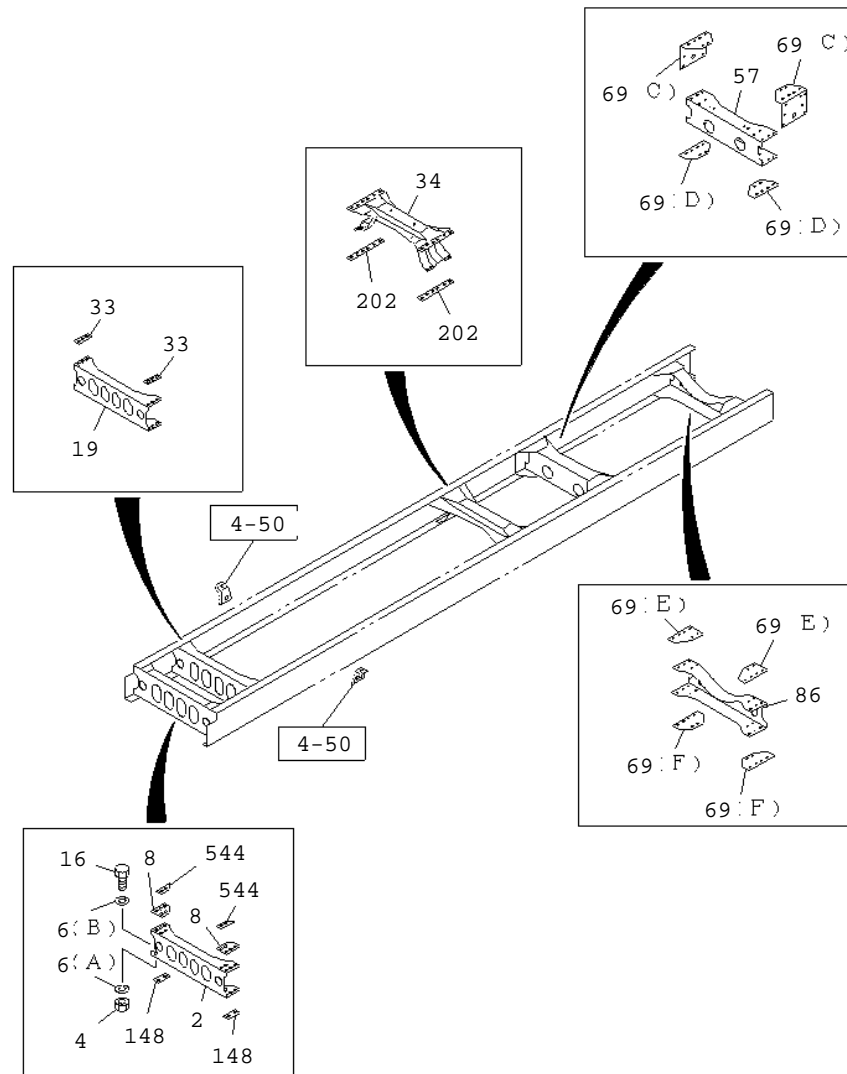
WHEEL BASE 6000MM



5-01 FRAME AND OTHER PARTS

CROSS MEMBER NO.2

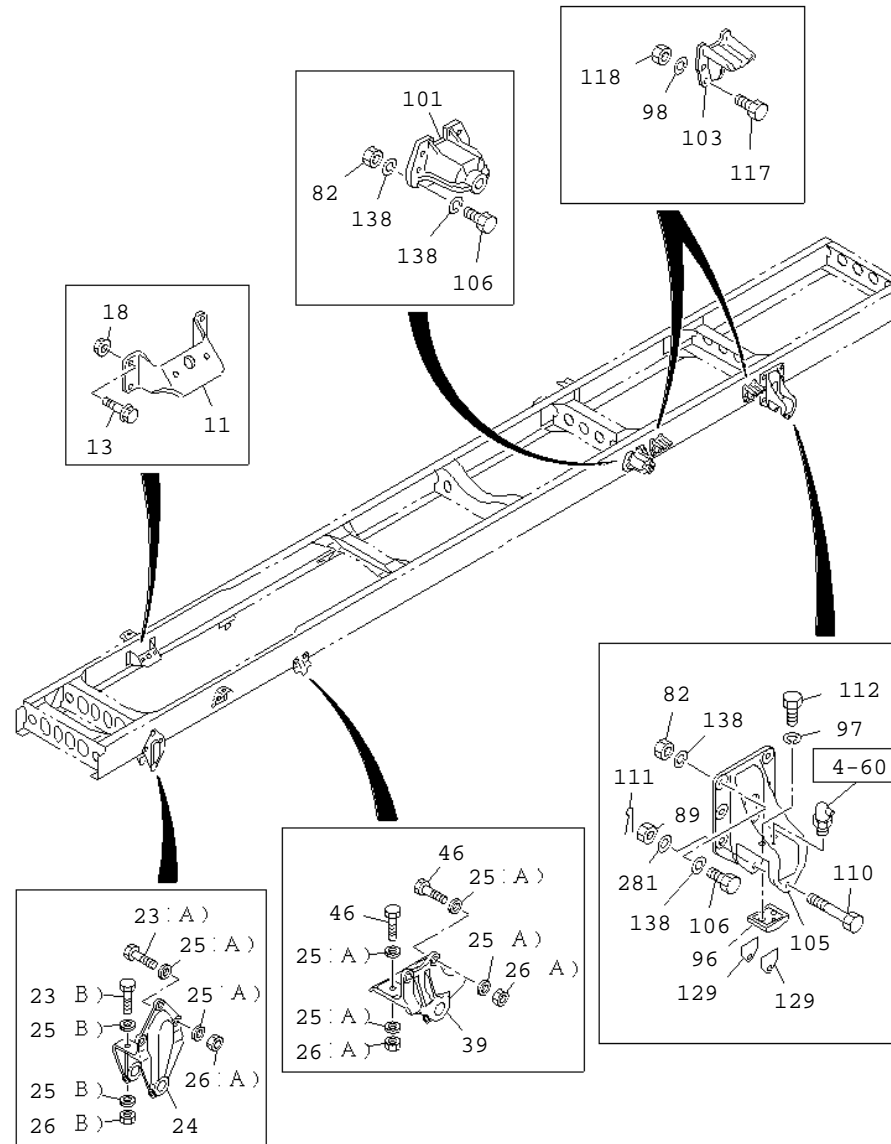
WHEEL BASE 3400MM



5-01 FRAME AND OTHER PARTS

BRACKET NO.1

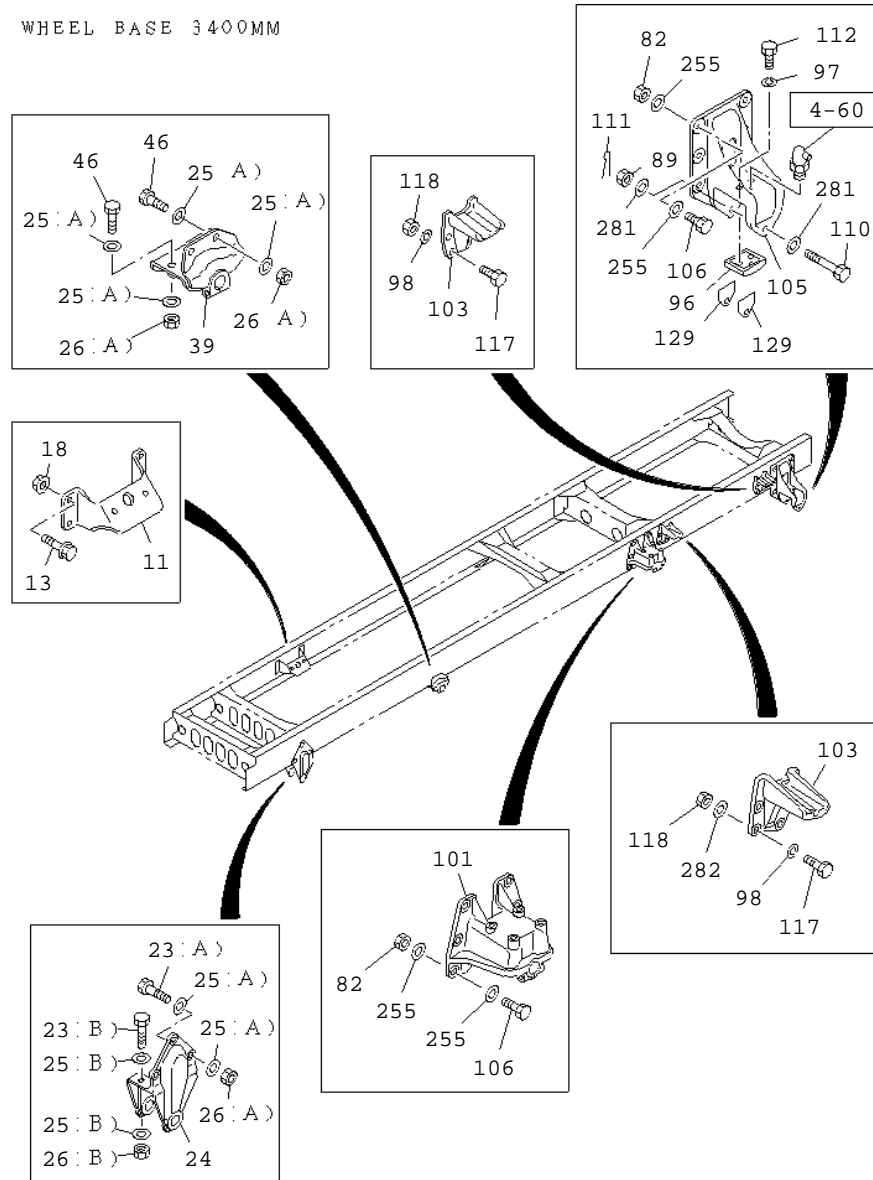
WHEEL BASE 4200MM-6000MM



5-01 FRAME AND OTHER PARTS

BRACKET NO.2

WHEEL BASE 3400MM



5-01

FRAME AND OTHER PARTS

KEY	R / C	PART NAME PART NUMBER	I T C	APPLIED DATE	L / R	Qty	APPLIED MODEL	RESTRICTION/REMARKS
								A WHEEL BASE 4200MM(42W) B WHEEL BASE 5000MM(50W) C WHEEL BASE 6000MM(60W) D WHEEL BASE 3400MM(34W)
2		MEMBER; CROSS,1ST 8-97610-852-6		1403-1405		01	D	IDN
		8-97610-852-6		1406-		01	BC	P90 PROP SHAFT<C5T> IDN
		8-97610-852-6		1406-		01	D	IDN
		8-97695-001-0		1312-1405		01	ABC	IDN
		8-97695-001-0		1406-		01	A	IDN
		8-97695-001-0		1406-		01	BC	P46 PROP SHAFT<C4Z> IDN
4		NUT; 1ST C/MBR TO S/MBR 0-91110-514-0		1312-1402		02	ABC	M14
		0-91110-514-0		1403-		02	ABCD	M14
6		WASHER; LK,1ST C/MBR 0-91510-814-0		1312-1402		02	ABC	(A) ID=14.2
		0-91510-814-0		1403-		02	ABCD	(A) ID=14.2
		8-98010-627-1		1312-1402		02	ABC	(B) ID=15
		8-98010-627-1		1403-		02	ABCD	(B) ID=15
8		GUSSET; 1ST C/MBR 8-97611-027-0		1312-1402		02	ABC	
		8-97611-027-0		1403-		02	ABCD	
11		BRACKET; ENG MTG 8-97619-550-0		1403-1405		02	D	
		8-97619-550-0		1406-		02	C	P90 PROP SHAFT<C5T>
		8-97619-550-0		1406-		02	D	
		8-97619-549-0		1312-		02	AB	
		8-97695-131-0		1312-1405		02	C	
		8-97695-131-0		1406-		02	C	IDN P46 PROP SHAFT<C4Z> IDN
13		BOLT; BRKT,ENG MTG 0-28661-240-0		1403-		08	D	M12X40 FLANGE

5-01

FRAME AND OTHER PARTS

KEY	R / C	PART NAME PART NUMBER	I T C	APPLIED DATE	L / R	Qty	APPLIED MODEL	RESTRICTION/REMARKS
								A WHEEL BASE 4200MM(42W) B WHEEL BASE 5000MM(50W) C WHEEL BASE 6000MM(60W) D WHEEL BASE 3400MM(34W)
13		0-28661-235-0		1312-		08	ABC	
16		BOLT; 1ST C/MBR TO S/MBR 0-20851-440-0		1312-1402		02	ABC	M12X35 FLANGE
		0-20851-440-0		1403-		02	ABCD	M14X40
18		NUT; BRKT,ENG MTG 0-91180-212-0		1312-1402		08	ABC	M14X40
		0-91180-212-0		1403-		08	ABCD	M12 FLANGE
19		MEMBER; CROSS,2ND 8-97610-853-4		1403-1405		01	D	M12 FLANGE
		8-97610-853-4		1406-		01	BC	IDN P90 PROP SHAFT<C5T>
		8-97610-853-4		1406-		01	D	IDN
		8-97695-002-0		1312-1405		01	ABC	IDN
		8-97695-002-0		1406-		01	A	IDN
		8-97695-002-0		1406-		01	BC	IDN P46 PROP SHAFT<C4Z>
23		BOLT; BRKT,SPR 0-20951-450-0		1312-1402		06	ABC	IDN
		0-20951-450-0		1403-		06	ABCD	(A) M14X50
		0-20951-660-0		1312-1402		04	ABC	(A) M14X50
		0-20951-660-0		1403-		04	ABCD	(B) M16X60
24		BRACKET; FRT SPR,FRT 8-98018-840-0		1403-1405	L	01	D	(B) M16X60
		8-98018-840-0		1406-	L	01	BC	P90 PROP SHAFT<C5T>
		8-98018-840-0		1406-	L	01	D	
		8-98018-841-0		1403-1405	R	01	D	
		8-98018-841-0		1406-	R	01	BC	P90 PROP SHAFT<C5T>
		8-98018-841-0		1406-	R	01	D	

5-01

FRAME AND OTHER PARTS

KEY	R / C	PART NAME PART NUMBER	I T C	APPLIED DATE	L / R	Qty	APPLIED MODEL	RESTRICTION/REMARKS
								A WHEEL BASE 4200MM(42W) B WHEEL BASE 5000MM(50W) C WHEEL BASE 6000MM(60W) D WHEEL BASE 3400MM(34W)
24		8-97695-046-0		1312-1405	L	01	ABC	IDN
		8-97695-046-0		1406-	L	01	A	IDN
		8-97695-046-0		1406-	L	01	BC	P46 PROP SHAFT<C4Z> IDN
		8-97695-047-0		1312-1405	R	01	ABC	IDN
		8-97695-047-0		1406-	R	01	A	IDN
		8-97695-047-0		1406-	R	01	BC	P46 PROP SHAFT<C4Z> IDN
25		WASHER; PL,BRKT 8-98010-627-1		1403-		44	D	(A) ID=15
		1-09503-316-0		1312-1402		08	ABC	(B) ID=16.2
		1-09503-316-0		1403-		08	ABCD	(B) ID=16.2
		8-98010-627-1		1312-		28	ABC	(A) ID=15
26		NUT; BRKT, SPR 0-91110-514-0		1312-1402		14	ABC	(A) M14
		0-91110-514-0		1403-		14	ABCD	(A) M14
		0-91110-516-0		1312-1402		04	ABC	(B) M16
		0-91110-516-0		1403-		04	ABCD	(B) M16
33		SPACER; 2ND C/MBR,UPR 8-97611-040-0		1403-1405		02	D	
		8-97611-040-0		1406-		02	BC	P90 PROP SHAFT<C5T>
		8-97611-040-0		1406-		02	D	
		8-97948-140-0		1312-1405		02	ABC	IDN
		8-97948-140-0		1406-		02	A	IDN

5-01

FRAME AND OTHER PARTS

KEY	R / C	PART NAME PART NUMBER	I T C	APPLIED DATE	L / R	Qty	APPLIED MODEL	RESTRICTION/REMARKS
								A WHEEL BASE 4200MM(42W) B WHEEL BASE 5000MM(50W) C WHEEL BASE 6000MM(60W) D WHEEL BASE 3400MM(34W)
33		8-97948-140-0		1406-		02	BC	P46 PROP SHAFT<C4Z> IDN
34		MEMBER; CROSS,3RD 8-97610-854-2 8-97610-854-2 8-97610-854-2 8-97695-208-0		1403-1405 1406- 1406- 1312-1405		01 01 01 01	D BC D ABC	P90 PROP SHAFT<C5T> IDN
		8-97695-208-0		1406-		01	A	IDN
		8-97695-208-0		1406-		01	BC	P46 PROP SHAFT<C4Z> IDN
39		BRACKET; FRT SPR,RR 8-98043-648-0 8-98043-648-0 8-98043-648-0 8-98043-649-0 8-98043-649-0 8-98043-649-0 8-97924-625-0		1403-1405 1406- 1406- 1403-1405 1406- 1406- 1312-1405	L L L R R R L	01 01 01 01 01 01 01	D BC D D BC D ABC	P90 PROP SHAFT<C5T> IDN
		8-97924-625-0		1406-	L	01	A	IDN
		8-97924-625-0		1406-	L	01	BC	P46 PROP SHAFT<C4Z> IDN
		8-97924-626-0		1312-1405	R	01	ABC	IDN
		8-97924-626-0		1406-	R	01	A	IDN
		8-97924-626-0		1406-	R	01	BC	P46 PROP SHAFT<C4Z> IDN
46		BOLT; BRKT FIX 0-20951-450-0 0-20951-450-0		1312-1402 1403-		08 08	ABC ABCD	M14X50 M14X50
57		MEMBER; CROSS,RR SUSP FRT 8-97619-888-3 8-97647-265-0 8-97695-022-0 8-97695-022-0		1406- 1403- 1312-1405 1406-		01 01 01 01	BC D ABC A	P90 PROP SHAFT<C5T> IDN IDN IDN IDN

5-01

FRAME AND OTHER PARTS

KEY	R / C	PART NAME PART NUMBER	I T C	APPLIED DATE	L / R	Qty	APPLIED MODEL	RESTRICTION/REMARKS
								A WHEEL BASE 4200MM(42W) B WHEEL BASE 5000MM(50W) C WHEEL BASE 6000MM(60W) D WHEEL BASE 3400MM(34W)
57		8-97695-022-0		1406-		01	BC	P46 PROP SHAFT<C4Z> IDN
65		BRACKET; CENTER BRG 8-97614-128-0		1406-		02	B	P90 PROP SHAFT<C5T>
69		8-97614-132-0 GUSSET; RR SUSP,UPR 8-97611-280-0		1406-		04	C	P90 PROP SHAFT<C5T>
		8-97611-280-0		1403-		02	D	(E)
		8-97611-314-0		1403-		02	D	(F)
		8-97618-451-0		1403-	R	01	D	(C)
		8-97618-452-0		1403-	L	01	D	(C)
		8-97618-453-0		1403-		02	D	(D)
		8-97619-889-0		1312-		04	ABC	(A)
		8-97619-890-0		1312-		04	ABC	(B)
82		NUT; BRKT 0-91110-514-0		1312-1402		24	ABC	M14
		0-91110-514-0		1403-		24	ABCD	M14
86		MEMBER; CROSS,RR SUSP RR 8-97619-888-3		1406-		01	BC	P90 PROP SHAFT<C5T> IDN
		8-97611-312-1		1403-		01	D	
		8-97695-022-0		1312-1405		01	ABC	IDN
		8-97695-022-0		1406-		01	A	IDN
		8-97695-022-0		1406-		01	BC	P46 PROP SHAFT<C4Z> IDN
89		NUT; LEAF SPR STOPPER 0-91116-514-0		1312-1402		02	ABC	M14 SLOTTED
		0-91116-514-0		1403-		02	ABCD	M14 SLOTTED
96		PAD; RR SPR 1-53359-047-0		1312-1402		02	ABC	
		1-53359-047-0		1403-		02	ABCD	
97		WASHER; LK,PAD 0-91510-514-0		1312-1402		04	ABC	ID=14.2

5-01

FRAME AND OTHER PARTS

KEY	R / C	PART NAME PART NUMBER	I T C	APPLIED DATE	L / R	Qty	APPLIED MODEL	RESTRICTION/REMARKS
								A WHEEL BASE 4200MM(42W) B WHEEL BASE 5000MM(50W) C WHEEL BASE 6000MM(60W) D WHEEL BASE 3400MM(34W)
97		0-91510-514-0		1403-		04	ABCD	
98		WASHER; LK,STOPPER 0-91510-814-0		1312-		16	ABC	ID=14.2
101		BRACKET; RR SPR,FRT 1-53353-078-1 1-53353-081-2 8-97695-053-0		1406- 1403- 1312-1405		02 02 02	BC D ABC	P90 PROP SHAFT<C5T>
		8-97695-053-0		1406-		02	A	IDN
		8-97695-053-0		1406-		02	BC	IDN P46 PROP SHAFT<C4Z> IDN
103		STOPPER; SUB SPR 1-53356-057-0 1-53356-057-0		1312-1402 1403-		04 04	ABC ABCD	
105		BRACKET; RR SPR,RR 1-53354-064-1 1-53354-073-1 8-97695-054-0		1406- 1403- 1312-1405		02 02 02	BC D ABC	P90 PROP SHAFT<C5T>
		8-97695-054-0		1406-		02	A	IDN
		8-97695-054-0		1406-		02	BC	IDN P46 PROP SHAFT<C4Z> IDN
106		BOLT; BRKT 0-20951-450-0 0-20951-450-0		1312-1402 1403-		24 24	ABC ABCD	M14X50 M14X50
110		BOLT; LEAF SPR STOPPER 1-09000-007-0 1-09000-007-0		1312-1402 1403-		02 02	ABC ABCD	
111		PIN; SPLIT,LEAF SPR STOPPER 0-81123-028-0 0-81123-028-0		1312-1402 1403-		02 02	ABC ABCD	OD=2.8 L=28 OD=2.8 L=28
112		BOLT; PAD 0-20851-435-0 0-20851-435-0		1312-1402 1403-		04 04	ABC ABCD	M14X35 M14X35
117		BOLT; STOPPER						

5-01

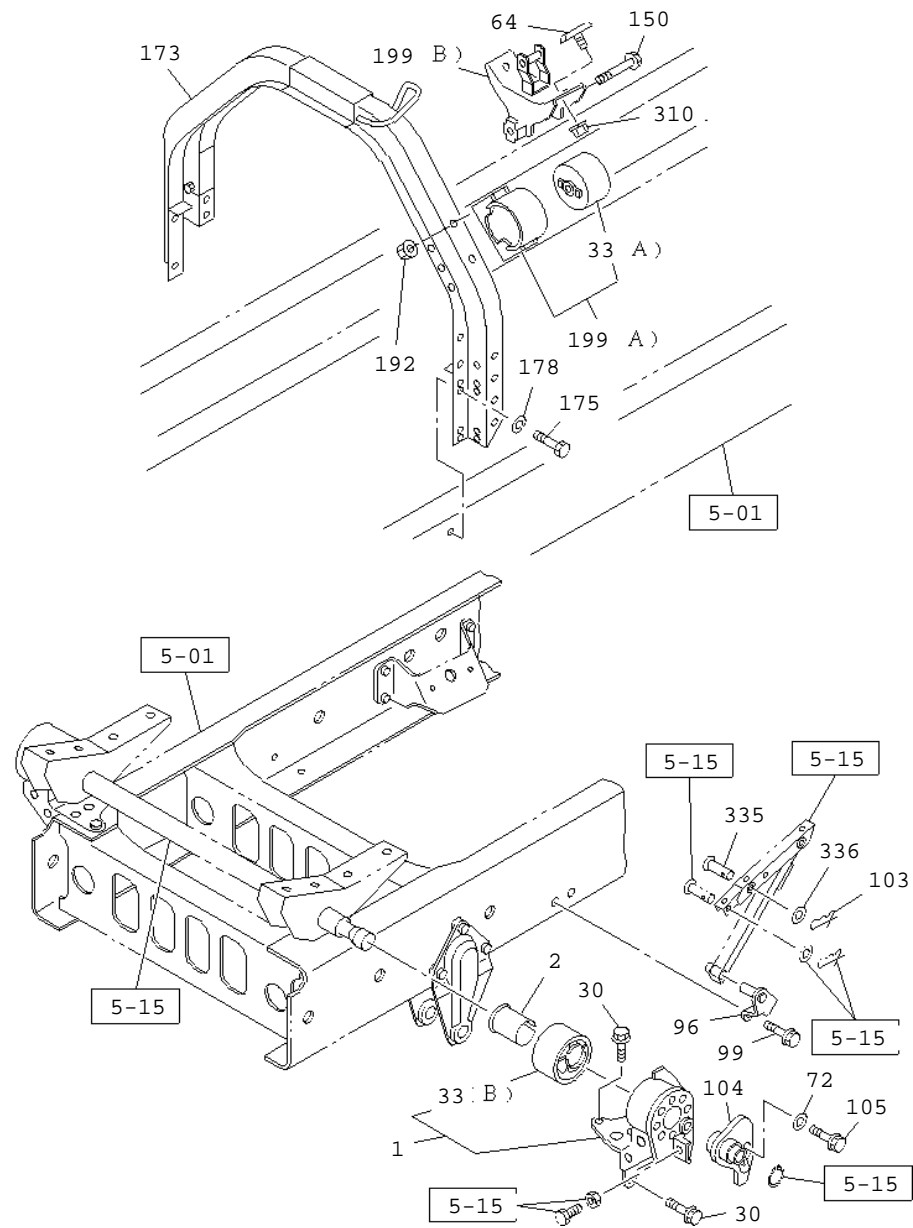
FRAME AND OTHER PARTS

KEY	R / C	PART NAME PART NUMBER	I T C	APPLIED DATE	L / R	Qty	APPLIED MODEL	RESTRICTION/REMARKS
								A WHEEL BASE 4200MM(42W) B WHEEL BASE 5000MM(50W) C WHEEL BASE 6000MM(60W) D WHEEL BASE 3400MM(34W)
117		0-20951-450-0		1312-1402		16	ABC	M14X50
		0-20951-450-0		1403-		16	ABCD	M14X50
118		NUT; STOPPER 0-91110-514-0		1312-1402		16	ABC	M14
		0-91110-514-0		1403-		16	ABCD	M14
129		SHIM; SIDE 1-53359-061-1		1312-1402		02	ABC	T=4.5
		1-53359-061-1		1403-		02	ABCD	T=4.5
		1-53359-062-1		1312-1402		02	ABC	T=3.2
		1-53359-062-1		1403-		02	ABCD	T=3.2
130		MEMBER; CROSS,END 8-97610-869-1		1406-		01	BC	P90 PROP SHAFT<C5T> IDN
		8-97695-020-0		1312-1405		01	ABC	IDN
		8-97695-020-0		1406-		01	A	IDN
		8-97695-020-0		1406-		01	BC	P46 PROP SHAFT<C4Z> IDN
131		BOLT; END C/MBR 0-50541-230-0		1312-		04	ABC	M12X30 W/LK WASHER
132		NUT; END C/MBR 0-91110-512-0		1312-		04	ABC	M12
138		WASHER; LK, BRKT 0-91510-814-0		1312-		24	ABC	ID=14.2
148		SPACER; C/MBR 8-97611-039-0		1312-1402		02	ABC	
		8-97611-039-0		1403-		02	ABCD	
202		SPACER; 3RD C/MBR 8-97610-873-0		1403-		02	D	
		8-97610-872-0		1312-		02	ABC	
207		SPACER; 4TH C/MBR 8-97611-244-0		1312-		02	A C	
		8-97611-245-0		1312-		02	B	
255		WASHER; PL, BRKT						

5-01

FRAME AND OTHER PARTS

KEY	R / C	PART NAME PART NUMBER	I T C	APPLIED DATE	L / R	Qty	APPLIED MODEL	RESTRICTION/REMARKS
								A WHEEL BASE 4200MM(42W) B WHEEL BASE 5000MM(50W) C WHEEL BASE 6000MM(60W) D WHEEL BASE 3400MM(34W)
255		8-98010-627-1		1403-		48	D	
281		WASHER; LEAF SPR STOPPER 0-91610-614-0		1312-1402		04	ABC	ID=15
		0-91610-614-0		1403-		04	ABCD	
282		WASHER; PL, STOPPER 8-98010-627-1		1403-		16	D	
344		MEMBER; CROSS, 4TH 8-97611-238-1		1406-		01	BC	ID=15
		8-97695-004-0		1312-1405		01	ABC	P90 PROP SHAFT<C5T> IDN
		8-97695-004-0		1406-		01	A	IDN
		8-97695-004-0		1406-		01	BC	IDN P46 PROP SHAFT<C4Z> IDN
345		MEMBER; CROSS, 5TH 8-97611-238-1		1406-		01	C	P90 PROP SHAFT<C5T> IDN
		8-97695-004-0		1312-1405		01	C	IDN
		8-97695-004-0		1406-		01	C	IDN P46 PROP SHAFT<C4Z> IDN
544		PLATE; CAB FRT MTG 8-97611-030-0		1406-		02	B	P90 PROP SHAFT<C5T>
		8-97695-133-0		1312-1405		02	AB	IDN
		8-97695-133-0		1406-		02	A	IDN
		8-97695-133-0		1406-		02	B	IDN P46 PROP SHAFT<C4Z> IDN
		8-97695-134-0		1312-1405		02	C	IDN
		8-97695-134-0		1406-		02	C	IDN P46 PROP SHAFT<C4Z> IDN
		8-97615-598-0		1403-1405		02	D	
		8-97615-598-0		1406-		02	C	P90 PROP SHAFT<C5T>
		8-97615-598-0		1406-		02	D	
545		SPACER; 5TH C/MBR 8-97611-245-0		1312-		02	C	
4-50		Move to 4-50						
4-60		Move to 4-60						



5-10

CAB MOUNTING; FRAME SIDE

KEY	R / C	PART NAME PART NUMBER	I T C	APPLIED DATE	L / R	Qty	APPLIED MODEL	RESTRICTION/REMARKS	
								A FVR WIDE CAB(FGR5MV)	B GVR WIDE CAB(GGR5MV)
1		BRACKET; CAB MTG 8-98013-038-2 8-98013-038-2 8-98017-660-2 8-98017-660-2 8-98017-659-1 8-98017-659-1 8-98017-658-1 8-98017-658-1		1312-1402 1403- 1312-1402 1403- 1312-1402 1403- 1312-1402 1403-	L L R R L L R R	01 01 01 01 01 01 01 01	A AB A AB A AB A AB	CAB SUSPENSION RIGID<W71> CAB SUSPENSION RIGID<W71> CAB SUSPENSION RIGID<W71> CAB SUSPENSION RIGID<W71> CAB SUSPENSION SEMI FLOATING<SDK> CAB SUSPENSION SEMI FLOATING<SDK> CAB SUSPENSION SEMI FLOATING<SDK> CAB SUSPENSION SEMI FLOATING<SDK>	
2		BUSHING; TORSION BAR 8-98010-767-0 8-98010-767-0		1312-1402 1403-		02 02	A AB	CAB SUSPENSION RIGID<W71> CAB SUSPENSION RIGID<W71>	
30		BOLT; CAB FRT FOOT 0-28861-445-0 0-28861-445-0		1312-1402 1403-		10 10	A AB	M14X45 FLANGE M14X45 FLANGE	
33		BUSHING; RUBBER,CAB MTG BRKT,FRT 8-98013-933-1 8-98013-933-1 8-98013-934-1 8-98013-934-1 8-98010-759-2 8-98010-759-2 8-98065-943-0 8-98065-943-0		1312-1402 1403- 1312-1402 1403- 1312-1402 1403- 1312-1402 1403-		02 02 02 02 02 02 02 02	A AB A AB A AB A AB	CAB SUSPENSION RIGID<W71> (B) CAB SUSPENSION RIGID<W71> (B) CAB SUSPENSION RIGID<W71> (A) CAB SUSPENSION RIGID<W71> (A) CAB SUSPENSION SEMI FLOATING<SDK> (A) CAB SUSPENSION SEMI FLOATING<SDK> (A) CAB SUSPENSION SEMI FLOATING<SDK> (B) CAB SUSPENSION SEMI FLOATING<SDK> (B)	
64		RUBBER; CUSHION 8-97113-340-0 8-97113-340-0		1312-1402 1403-		04 04	A AB		
72		WASHER; PL,BRKT TO FRAME 0-91614-714-0 0-91614-714-0		1312-1402 1403-		01 01	A AB	ID=15 OD=36 ID=15 OD=36	
96		BRACKET; CAB STAY 1-62500-628-0 1-62500-628-0		1312-1402 1403-		01 01	A AB		
99		BOLT; BRKT 0-28661-030-0		1312-1402		02	A	M10X30 FLANGE	

5-10

CAB MOUNTING; FRAME SIDE

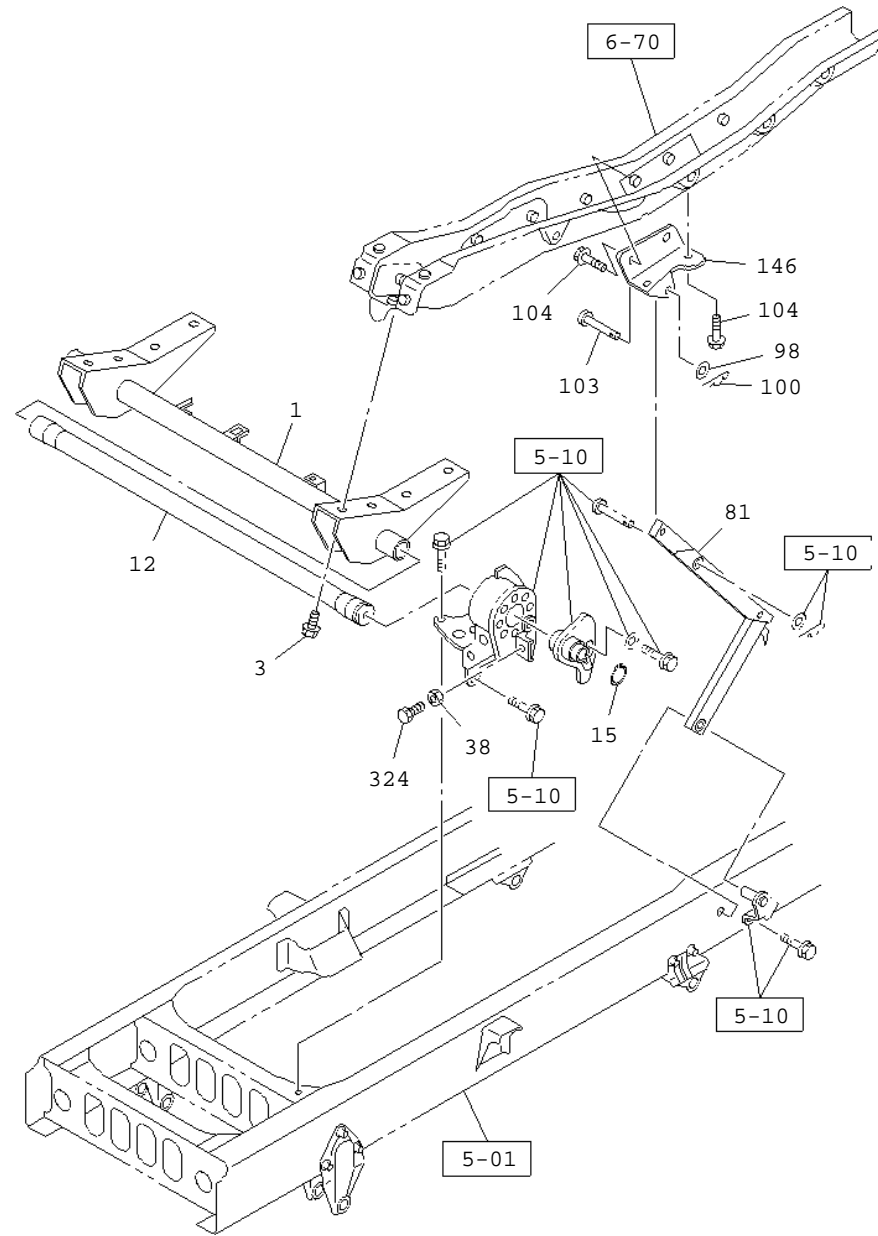
KEY	R / C	PART NAME PART NUMBER	I T C	APPLIED DATE	L / R	Qty	APPLIED MODEL	RESTRICTION/REMARKS
								A FVR WIDE CAB(FGR5MV) B GVR WIDE CAB(GGR5MV)
99		0-28661-030-0		1403-		02	AB	M10X30 FLANGE
103		PIN; SPLIT,CAB STAY 8-98062-280-0		1312-1402		01	A	L=32.6
		8-98062-280-0		1403-		01	AB	L=32.6
104		BRACKET; CAB FRAME,CAB FRT MTG 8-98010-753-3		1312-1402		01	A	
		8-98010-753-3		1403-		01	AB	
105		BOLT; BRKT TO CAB FRAME 0-28661-435-0		1312-1402		01	A	M14X35 FLANGE
		0-28661-435-0		1403-		01	AB	M14X35 FLANGE
150		BOLT; CAB MTG RR 0-10956-400-0		1312-1402		02	A	M14X100
		0-10956-400-0		1403-		02	AB	M14X100
173		MEMBER; CAB MTG RR 8-98242-006-1		1312-1402		01	A	IDN
		8-98242-006-1		1403-		01	AB	IDN
175		BOLT; MEMBER TO FRAME 0-20951-235-0		1312-1402		08	A	M12X35
		0-20951-235-0		1403-		08	AB	M12X35
178		WASHER; LK,MEMBER 0-91510-612-0		1312-1402		08	A	ID=12.2
		0-91510-612-0		1403-		08	AB	ID=12.2
192		NUT; BRKT FIX 0-91180-212-0		1312-1402		04	A	M12 FLANGE
		0-91180-212-0		1403-		04	AB	M12 FLANGE
199		BRACKET; CAB RR MTG 8-98023-692-0		1312-1402		02	A	(B)
		8-98023-692-0		1403-		02	AB	(B)
		8-98010-770-0		1312-1402		02	A	CAB SUSPENSION RIGID<W71> (A)

5-10

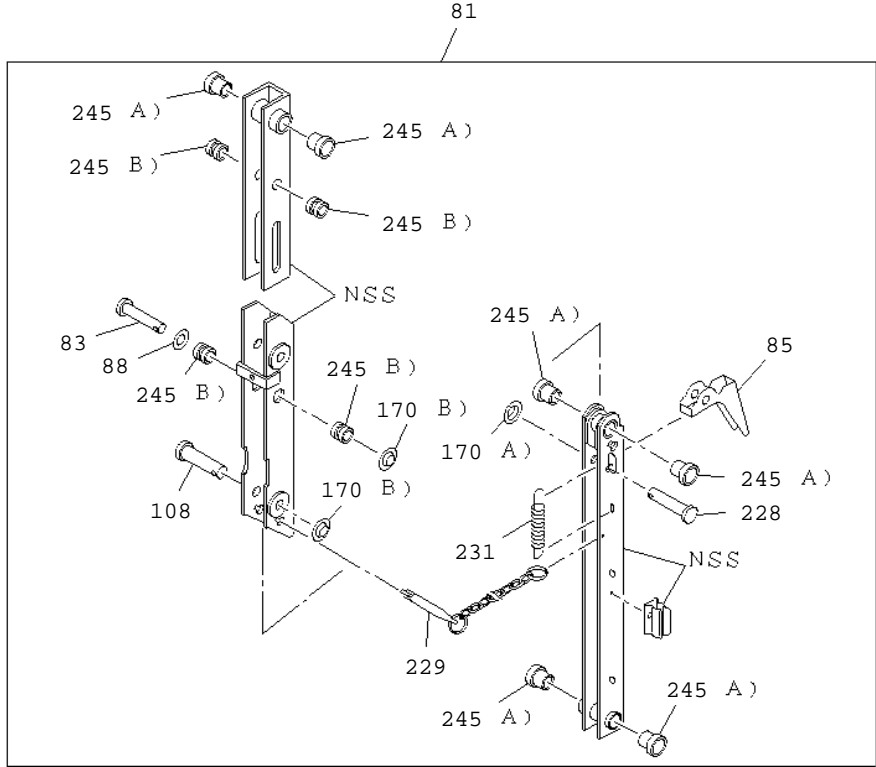
CAB MOUNTING; FRAME SIDE

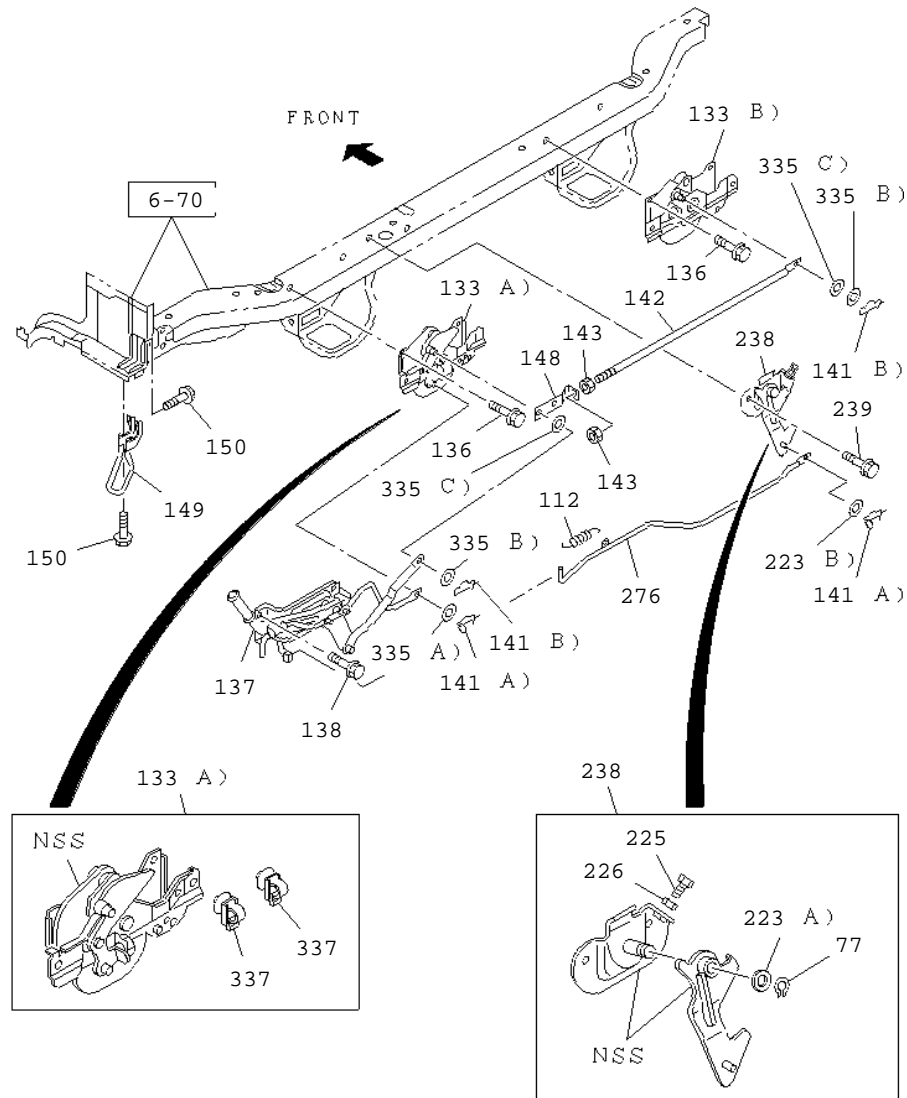
KEY	R / C	PART NAME PART NUMBER	I T C	APPLIED DATE	L / R	Qty	APPLIED MODEL	RESTRICTION/REMARKS
								A FVR WIDE CAB(FGR5MV) B GVR WIDE CAB(GGR5MV)
199		8-98010-770-0		1403-		02	AB	CAB SUSPENSION RIGID<W71> (A)
		8-98060-901-1		1312-1402		02	A	CAB SUSPENSION SEMI FLOATING<SDK> (A)
		8-98060-901-1		1403-		02	AB	CAB SUSPENSION SEMI FLOATING<SDK> (A)
310		NUT; CUSHION 0-91180-108-0		1312-1402		04	A	M8 FLANGE
		0-91180-108-0		1403-		04	AB	M8 FLANGE
335		PIN; ADJ, STAY LOCK 1-09744-107-0		1312-1402		01	A	OD=10 L=48
		1-09744-107-0		1403-		01	AB	OD=10 L=48
336		WASHER; PL, STAY LOCK 1-09985-183-0		1312-1402		01	A	ID=10.5 T=2.0
		1-09985-183-0		1403-		01	AB	ID=10.5 T=2.0
5-01		Move to 5-01						
5-15		Move to 5-15						

5-15 CAB MOUNTING; CAB SIDE
TORSION BAR AND CAB TILT STAY



5-15 CAB MOUNTING; CAB SIDE
COMPONENT; CAB TILT STAY





5-15

CAB MOUNTING; CAB SIDE

KEY	R / C	PART NAME PART NUMBER	I T C	APPLIED DATE	L / R	Qty	APPLIED MODEL	RESTRICTION/REMARKS	
								A FVR WIDE CAB (FGR5MV)	B GVR WIDE CAB (GGR5MV)
1		LEVER; TORSION BAR 8-98010-752-7		1312-1402		01	A		
		8-98010-752-7		1403-		01	AB		
3		BOLT; LEVER 8-98090-287-1		1312-1402		08	A		
		8-98090-287-1		1403-		08	AB	M12X42 FLANGE	
								M12X42 FLANGE	
12		BAR; TORSION,UPR 8-98010-947-1		1312-1402		01	A		
		8-98010-947-1		1403-		01	AB		
15		RING; SNAP,TORSION BAR 8-97129-615-0		1312-1402		01	A		
		8-97129-615-0		1403-		01	AB	T=1.90 BLUE	
								T=1.90 BLUE	
38		NUT; LK 0-91110-514-0		1312-1402		01	A		
		0-91110-514-0		1403-		01	AB	M14	
								M14	
77		RING; SNAP 0-91800-616-0		1312-1402		01	A		
		0-91800-616-0		1403-		01	AB	ID=14.7	
								ID=14.7	
81		STAY ASM; CAB TILT 1-62500-761-0		1312-1402		01	A		
		1-62500-761-0		1403-		01	AB		
83		PIN; JOINT,CAB STAY 1-09744-106-0		1312-1402		01	A		
		1-09744-106-0		1403-		01	AB	OD=10 L=42	
								OD=10 L=42	
85		LEVER; LOCK,CAB STAY 1-62500-503-0		1312-1402		01	A		
		1-62500-503-0		1403-		01	AB		
88		WASHER; PL,CAB STAY PIN 1-09985-183-0		1312-1402		01	A		
		1-09985-183-0		1403-		01	AB	ID=10.5 T=2.0	
								ID=10.5 T=2.0	
98		WASHER; CAB STAY 1-09985-183-0		1312-1402		01	A		
		1-09985-183-0		1403-		01	AB	ID=10.5 T=2.0	
								ID=10.5 T=2.0	
100		PIN; SNAP,CAB STAY TO CAB							

5-15

CAB MOUNTING; CAB SIDE

KEY	R / C	PART NAME PART NUMBER	I T C	APPLIED DATE	L / R	Qty	APPLIED MODEL	RESTRICTION/REMARKS	
								A FVR WIDE CAB (FGR5MV)	B GVR WIDE CAB (GGR5MV)
100		8-98039-426-1		1312-1402		01	A		
		8-98039-426-1		1403-		01	AB	L=34	
103		PIN; JOINT, CAB STAY 1-09744-108-1		1312-1402		01	A		
		1-09744-108-1		1403-		01	AB	L=34	
104		BOLT; CAB STAY BRKT 0-28661-030-0		1312-1402		04	A		
		0-28661-030-0		1403-		04	AB	M10X30 FLANGE	
108		PIN; ADJ, CAB STAY 1-09744-106-0		1312-1402		01	A		
		1-09744-106-0		1403-		01	AB	OD=10 L=42	
112		SPRING; RETURN, SAFETY ROD 1-79718-655-0		1312-1402		01	A		
		1-79718-655-0		1403-		01	AB	OD=10 L=42	
133		LOCK ASM; CAB 8-98101-514-1		1312-1402	L	01	A		
		8-98101-514-1		1403-	L	01	AB	(A)	
		8-98061-489-1		1312-1402	R	01	A	(A)	
		8-98061-489-1		1403-	R	01	AB	(B)	
136		BOLT; CAB LK 0-28650-820-0		1312-1402		08	A		
		0-28650-820-0		1403-		08	AB	M8X20 FLANGE IDN	
137		CONTROL UNIT; CAB LOCK 8-97587-592-5		1312-1402		01	A		
		8-97587-592-5		1403-		01	AB	M8X20 FLANGE IDN	
138		BOLT; CAB LOCK CONT UNIT 0-28650-820-0		1312-1402		04	A		
		0-28650-820-0		1403-		04	AB	M8X20 FLANGE IDN	
141		PIN; SNAP, CAB LOCK ROD							

5-15

CAB MOUNTING; CAB SIDE

KEY	R / C	PART NAME PART NUMBER	I T C	APPLIED DATE	L / R	Qty	APPLIED MODEL	RESTRICTION/REMARKS	
								A FVR WIDE CAB(FGR5MV)	B GVR WIDE CAB(GGR5MV)
141		8-98039-045-1		1312-1402		02	A	(A)	L=25.3
		8-98039-045-1		1403-		02	AB	(A)	L=25.3
		8-98062-280-0		1312-1402		02	A	(B)	L=32.6
		8-98062-280-0		1403-		02	AB	(B)	L=32.6
142		ROD; HOOK TO HOOK 8-97587-990-0		1312-1402		01	A		
		8-97587-990-0		1403-		01	AB		
143		NUT; JAW JOINT,HOOK TO HOOK 0-91110-510-0		1312-1402		02	A		M10
		0-91110-510-0		1403-		02	AB		M10
146		BRACKET ASM; CAB STAY UPR 8-98019-506-0		1312-1402		01	A		
		8-98019-506-0		1403-		01	AB		
148		JOINT; JAW,HOOK TO HOOK 8-97410-736-0		1312-1402		01	A		
		8-97410-736-0		1403-		01	AB		
149		HANDLE; TILT 8-98025-707-3		1312-1402		01	A		IDN
		8-98025-707-3		1403-		01	AB		IDN
150		BOLT; TILT HANDLE 0-28650-820-0		1312-1402		04	A		M8X20 FLANGE IDN
		0-28650-820-0		1403-		04	AB		M8X20 FLANGE IDN
170		NUT 8-97022-565-0		1312-1402		01	A	(A)	ID=7.9 PUSH NUT
		8-97022-565-0		1403-		01	AB	(A)	ID=7.9 PUSH NUT
		8-97022-566-0		1312-1402		02	A	(B)	ID=9.9 PUSH NUT

5-15

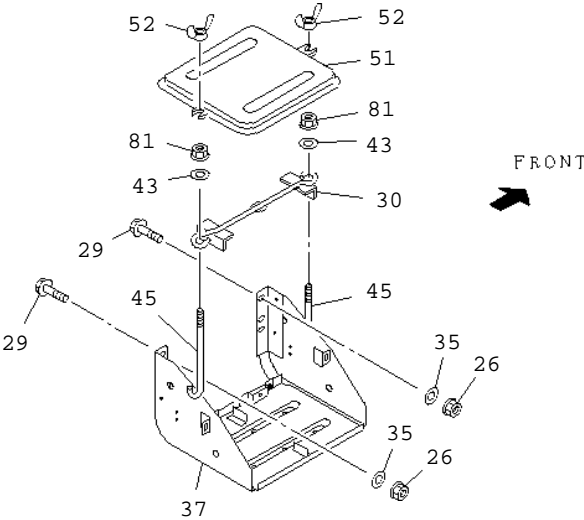
CAB MOUNTING; CAB SIDE

KEY	R / C	PART NAME PART NUMBER	I T C	APPLIED DATE	L / R	Qty	APPLIED MODEL	RESTRICTION/REMARKS	
								A FVR WIDE CAB(FGR5MV)	B GVR WIDE CAB(GGR5MV)
170		8-97022-566-0		1403-		02	AB		
223		WASHER; PL,SAFETY LK 0-91610-508-0		1312-1402		01	A	(B) ID=9.9 PUSH NUT	
		0-91610-508-0		1403-		01	AB	(B) ID=8.4 OD=16	
		0-91610-516-0		1312-1402		01	A	(B) ID=8.4 OD=16	
		0-91610-516-0		1403-		01	AB	(A) ID=17 OD=30	
225		BOLT; SAFETY LK 0-28050-830-0		1312-1402		01	A	(A) ID=17 OD=30	
		0-28050-830-0		1403-		01	AB	M8X30 FLANGE	
226		NUT; SAFETY LK 0-91110-508-0		1312-1402		01	A	M8X30 FLANGE	
		0-91110-508-0		1403-		01	AB	M8 IDN	
228		PIN; SAFETY LOCK SPRING,CAB STAY 1-09744-086-2		1312-1402		01	A	M8 IDN	
		1-09744-086-2		1403-		01	AB		
229		PIN ASM; SAFETY 1-62500-517-1		1312-1402		01	A		
		1-62500-517-1		1403-		01	AB		
231		SPRING; RETURN,LOCK LEVER,CAB STAY 1-09583-244-0		1312-1402		01	A		
		1-09583-244-0		1403-		01	AB		
238		LOCK ASM; SAFETY,CAB TILT 8-98048-899-1		1312-1402		01	A		
		8-98048-899-1		1403-		01	AB		
239		BOLT; SAFETY LK 0-28650-820-0		1312-1402		02	A	M8X20 FLANGE IDN	
		0-28650-820-0		1403-		02	AB	M8X20 FLANGE IDN	
245		BUSHING; CAB STAY							

5-15

CAB MOUNTING; CAB SIDE

KEY	R / C	PART NAME PART NUMBER	I T C	APPLIED DATE	L / R	Qty	APPLIED MODEL	RESTRICTION/REMARKS	
								A FVR WIDE CAB(FGR5MV)	B GVR WIDE CAB(GGR5MV)
245		1-62500-587-0		1312-1402		06	A		
		1-62500-587-0		1403-		06	AB	(A)	
		1-62500-588-0		1312-1402		04	A	(A)	
		1-62500-588-0		1403-		04	AB	(B)	
								(B)	
276		ROD ASM; CAB LOCK,HOOK TO HOOK							
		8-98048-831-1		1312-1402		01	A		
		8-98048-831-1		1403-		01	AB		
324		BOLT; ADJUST							
		8-98004-319-1		1312-1402		01	A		
		8-98004-319-1		1403-		01	AB	M14X55	
								M14X55	
335		WASHER; CAB LOCK ROD							
		0-91610-508-0		1312-1402		01	A	(A)	
		0-91610-508-0		1403-		01	AB	ID=8.4 OD=16	
		0-91610-612-0		1312-1402		02	A	(A)	
		0-91610-612-0		1403-		02	AB	ID=8.4 OD=16	
		8-98060-839-0		1312-1402		02	A	(B)	
		8-98060-839-0		1403-		02	AB	ID=12.5 OD=26	
								(B)	
								ID=12.5 OD=26	
								(C)	
								ID=13 OD=22	
								IDN	
								(C)	
								ID=13 OD=22	
								IDN	
337		CLIP; CAB LOCK							
		8-97173-307-0		1312-1402	L	02	A	L=155	
		8-97173-307-0		1403-	L	02	AB	IDN	
								L=155	
								IDN	
5-01		Move to 5-01							
5-10		Move to 5-10							
6-70		Move to 6-70							



5-20

BATTERY CARRIER

KEY	R / C	PART NAME PART NUMBER	I T C	APPLIED DATE	Qty	APPLIED MODEL	RESTRICTION/REMARKS
							A FVR WIDE CAB(FGR5MV) B GVR WIDE CAB(GGR5MV)
26		NUT; BRKT 0-91180-210-0		1312-1402	04	A	
		0-91180-210-0		1403-	04	AB	M10 FLANGE
29		BOLT; BRKT TO FRAME 0-28651-035-0		1312-1402	04	A	M10 FLANGE
		0-28651-035-0		1403-	04	AB	M10X35 FLANGE IDN
30		PLATE; BATTERY 5-53615-004-1		1312-1402	01	A	M10X35 FLANGE IDN
		5-53615-004-1		1403-	01	AB	IDN
35		WASHER; PL,BATTERY CARRIER 0-91614-610-0		1312-1402	04	A	ID=10.5 OD=22
		0-91614-610-0		1403-	04	AB	ID=10.5 OD=22
37		BRACKET; BATTERY 8-97384-068-2		1312-1402	01	A	BATTERY 65D23L<8EJ> IDN
		8-97384-068-2		1403-	01	AB	BATTERY 65D23L<8EJ> IDN
		8-97384-067-2		1312-1402	01	A	BATTERY 80D26L<TM1> IDN
		8-97384-067-2		1403-	01	AB	BATTERY 80D26L<TM1> IDN
43		WASHER; PL,CLAMP 0-91614-708-0		1312-1402	02	A	ID=8.4 OD=22
		0-91614-708-0		1403-	02	AB	ID=8.4 OD=22
45		ROD; TENSION,BATTERY 9-53616-615-0		1312-1402	02	A	IDN
		9-53616-615-0		1403-	02	AB	IDN
51		COVER; BATTERY 8-97120-747-0		1312-1402	01	A	IDN
		8-97120-747-0		1403-	01	AB	IDN
52		NUT; WING,COVER FIX					

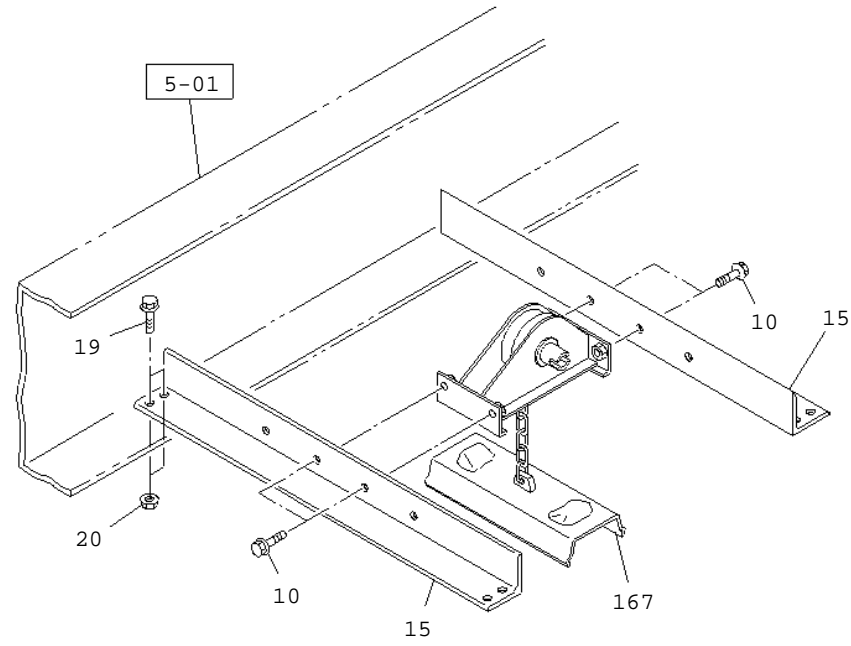
5-20

BATTERY CARRIER

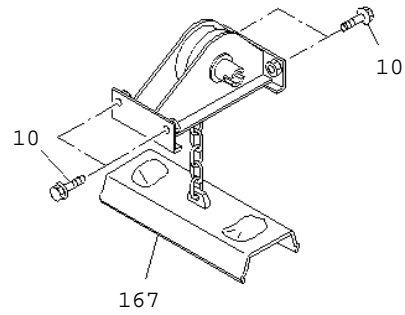
KEY	R / C	PART NAME PART NUMBER	I T C	APPLIED DATE	Qty	APPLIED MODEL	RESTRICTION/REMARKS
							A FVR WIDE CAB(FGR5MV) B GVR WIDE CAB(GGR5MV)
52		0-91118-408-0		1312-1402	02	A	
		0-91118-408-0		1403-	02	AB	M8 WING NUT IDN
81		NUT; BATTERY 0-91180-108-0		1312-1402	02	A	M8 WING NUT IDN
		0-91180-108-0		1403-	02	AB	M8 FLANGE M8 FLANGE

11566 FVR/GVR(INDONESIA) 2014-

SPARE WHEEL CARRIER FRAME REAR



SPARE TIRE CARRIER LIFTING TYPE VAR1



5-30

SPARE TIRE CARRIER AND COVER

KEY	R / C	PART NAME PART NUMBER	I T C	APPLIED DATE	Qty	APPLIED MODEL	RESTRICTION/REMARKS
							A FVR WIDE CAB(FGR5MV) B GVR WIDE CAB(GGR5MV)
10		BOLT; TIRE HANGER 0-28651-230-0		1312-1402	04	A	SPARE WHEEL CARRIER FRAME REAR(P10) M12X30 FLANGE
		0-28651-230-0		1403-	04	A	SPARE WHEEL CARRIER FRAME REAR(P10) M12X30 FLANGE
		0-28651-230-0		1403-	04	B	SPARE TIRE CARRIER LIFTING TYPE VAR1(SY8) M12X30 FLANGE
15		MEMBER; CROSS, SPARE TIRE 1-53631-395-1		1312-	02	A	SPARE WHEEL CARRIER FRAME REAR(P10)
19		BOLT; C/MBR 0-28051-030-0		1312-	08	A	SPARE WHEEL CARRIER FRAME REAR(P10) M10X30 FLANGE
20		NUT; C/MBR 0-91180-210-0		1312-	08	A	SPARE WHEEL CARRIER FRAME REAR(P10) M10 FLANGE
167		HANGER; TIRE 8-97948-022-0		1312-1402	01	A	SPARE WHEEL CARRIER FRAME REAR(P10) IDN
		8-97948-022-0		1403-	01	A	SPARE WHEEL CARRIER FRAME REAR(P10) IDN
		8-97948-022-0		1403-	01	B	SPARE TIRE CARRIER LIFTING TYPE VAR1(SY8) IDN
5-01		Move to 5-01					

11566 FVR/GVR (INDONESIA) 2014-