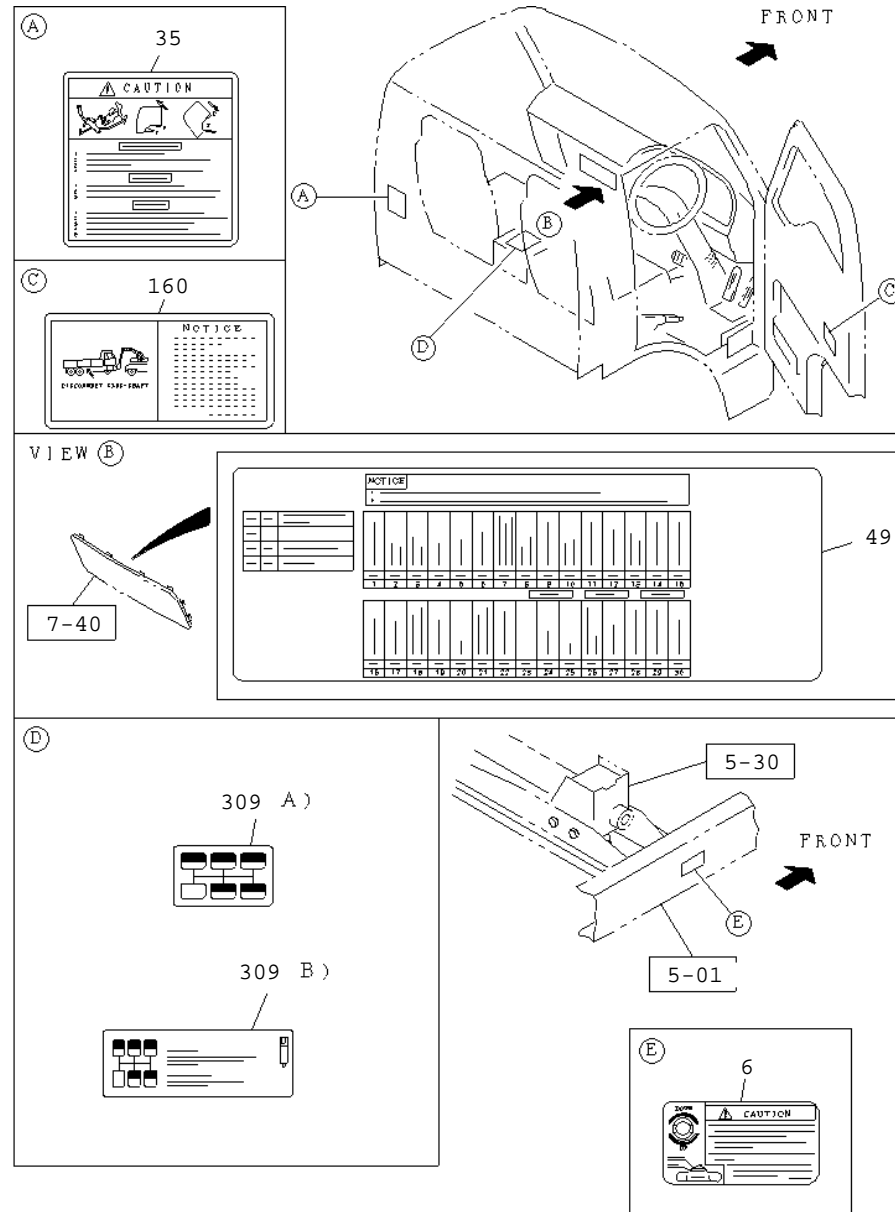


7-01

EMBLEM AND NAME PLATE

KEY	R / C	PART NAME PART NUMBER	I T C	APPLIED DATE	Qty	APPLIED MODEL	RESTRICTION/REMARKS
							A FVR WIDE CAB(FGR5MV) B GVR WIDE CAB(GGR5MV)
1		MARK; ISUZU 8-98041-913-0		1312-1402	01	A	
		8-98041-913-0		1403-	01	AB	
9		DECAL 8-98137-316-0		1403-	01	B	DECAL VEHICLE NAME/PET NAME<8NG> (B)
		8-98041-579-0		1312-1402	01	A	DECAL PET NAME<8NH> (A)
		8-98041-579-0		1403-	01	AB	DECAL PET NAME<8NH> (A)
		8-98137-315-0		1312-	01	A	DECAL VEHICLE NAME/PET NAME<8NG> (B)

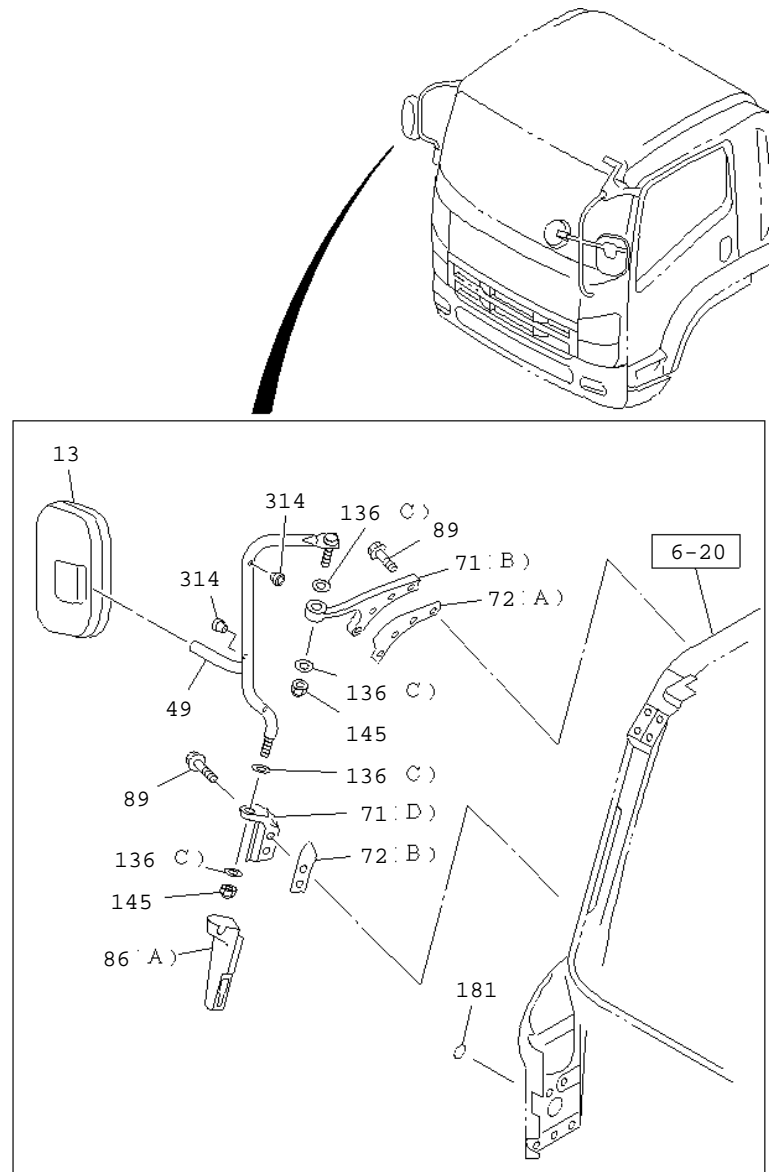
11566 FVR/GVR(INDONESIA) 2014-

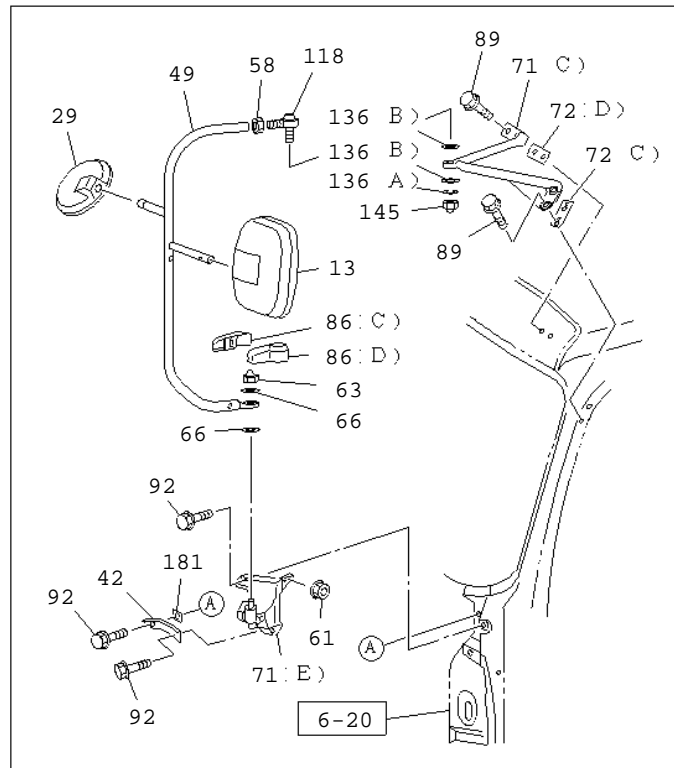
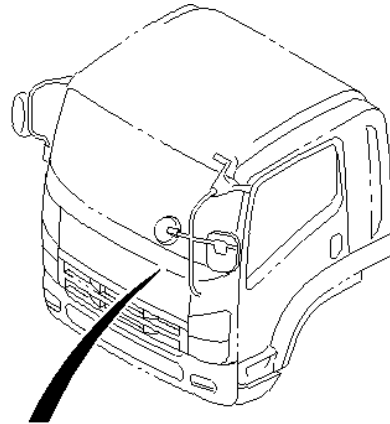


7-10

CAUTION PLATE AND LABEL

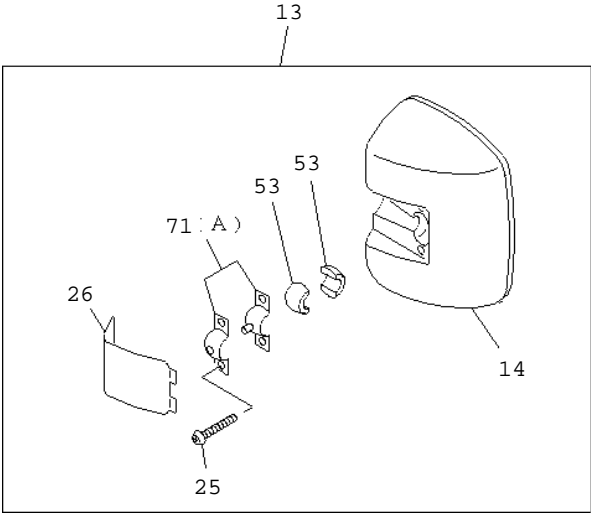
KEY	R / C	PART NAME PART NUMBER	I T C	APPLIED DATE	Qty	APPLIED MODEL	RESTRICTION/REMARKS
							A FVR WIDE CAB(FGR5MV) B GVR WIDE CAB(GGR5MV)
6		PLATE; CAUTION, SPARE TIRE 8-98082-437-0		1312-1402	01	A	SPARE WHEEL CARRIER FRAME REAR(P10) IDN
		8-98082-437-0		1403-	01	A	SPARE WHEEL CARRIER FRAME REAR(P10) IDN
		8-98082-437-0		1403-	01	B	SPARE TIRE CARRIER LIFTING TYPE VAR1(SY8) IDN
35		PLATE; CAUTION, CAB 8-98065-363-0		1312-1402	01	A	IDN
		8-98065-363-0		1403-	01	AB	IDN
49		PLATE; CAUTION, FUSE BOX 8-98122-353-0		1312-1402	01	A	IDN
		8-98122-353-0		1403-	01	AB	IDN
160		PLATE; CAUTION, TOWING 1-85888-737-1		1403-1405	01	B	IDN
		1-85888-737-1		1406-	01	A	ZF9S1110 DD M/T(Y5P) IDN
		1-85888-737-1		1406-	01	B	IDN
309		LABEL; M/T SHIFT 8-98098-606-0		1403-1404	01	B	(B)
		8-98098-606-0		1403-1404	01	B	(B)
		1-85881-598-0		1403-	01	B	(A)
5-01		Move to 5-01					
5-30		Move to 5-30					
7-40		Move to 7-40					





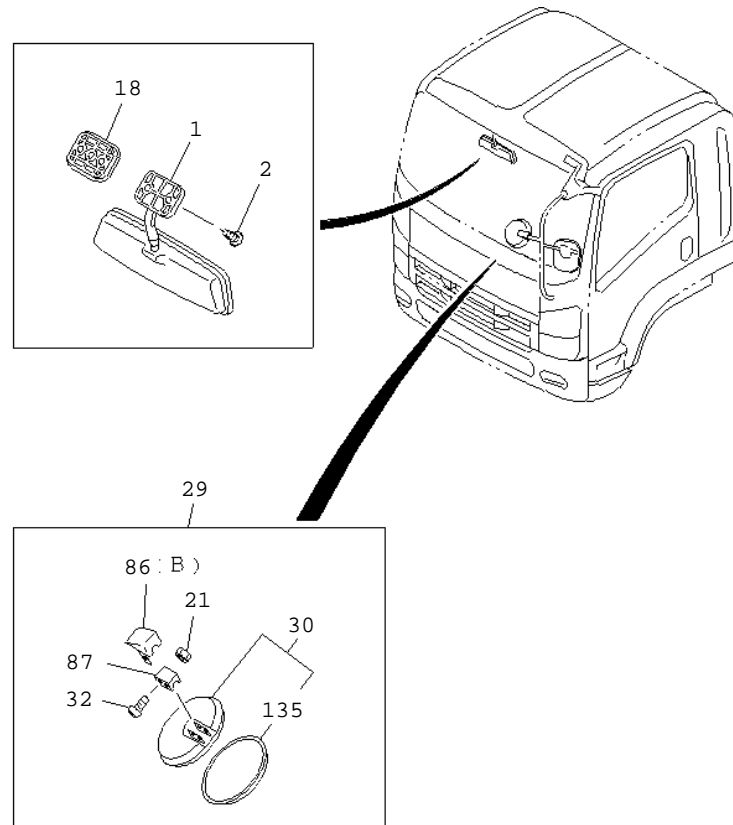
7-20 MIRROR AND MIRROR STAY

COMPONENT;O/S RR VIEW MIRROR



7-20 MIRROR AND MIRROR STAY

UNDER AND ROOM MIRROR



7-20

MIRROR AND MIRROR STAY

KEY	R / C	PART NAME PART NUMBER	I T C	APPLIED DATE	L / R	Qty	APPLIED MODEL	RESTRICTION/REMARKS	
								A FVR WIDE CAB(FGR5MV)	B GVR WIDE CAB(GGR5MV)
1		MIRROR; ROOM 8-97924-058-2		1312-1402		01	A		
		8-97924-058-2		1403-		01	AB	IDN	
2		SCREW; MIRROR TO BODY 8-98033-674-0		1312-1402		02	A	IDN	
		8-98033-674-0		1403-		02	AB	M6X26	
13	B	MIRROR ASM; OUTSIDE RR VIEW 8-98028-332-0		1312-1402	L	01	A		
		8-98028-332-0		1403-	L	01	AB		
		8-98104-068-0		1312-1402	R	01	A		
		8-98104-068-0		1403-	R	01	AB	M6X26	
14	B	MIRROR ASM; OUTSIDE 8-98045-690-0		1312-1402	L	01	A		
		8-98045-690-0		1403-	L	01	AB		
		8-98108-511-0		1312-1402	R	01	A		
		8-98108-511-0		1403-	R	01	AB		
18		CLIP; MIRROR 8-97408-241-0		1312-1402		01	A		
		8-97408-241-0		1403-		01	AB	DARK GRAY	
21		NUT; MIRROR 1-09984-124-0		1312-1402	L	02	A		
		1-09984-124-0		1403-	L	02	AB	M5	
25		SCREW; OUTSIDE MIRROR 1-71707-223-0		1312-1402		04	A		
		1-71707-223-0		1403-		04	AB		
26		COVER; OUTSIDE MIRROR 1-71707-222-0		1312-1402	L	01	A		
		1-71707-222-0		1403-	L	01	AB		
		1-71707-221-0		1312-1402	R	01	A		
		1-71707-221-0		1403-	R	01	AB		
29		MIRROR ASM; UNDER 1-71798-422-0		1312-1402	L	01	A		
		1-71798-422-0		1403-	L	01	AB		
30	B	MIRROR; UNDER 1-71798-591-1		1312-1402	L	01	A		
		1-71798-591-1		1403-	L	01	AB		
32		SCREW; UNDER MIRROR 1-71737-797-0		1312-1402	L	02	A		
								M5X40 W/PL WASHER	

7-20

MIRROR AND MIRROR STAY

KEY	R / C	PART NAME PART NUMBER	I T C	APPLIED DATE	L / R	Qty	APPLIED MODEL	RESTRICTION/REMARKS	
								A FVR WIDE CAB(FGR5MV)	B GVR WIDE CAB(GGR5MV)
32		1-71737-797-0		1403-	L	02	AB		
42		ATTACHMENT; OUTSIDE MIRROR 8-98070-643-0		1312-1402	L	01	A		M5X40 W/PL WASHER
		8-98070-643-0		1403-	L	01	AB		
49		STAY; MIRROR SIDE 8-98085-112-1		1312-1402	L	01	A		
		8-98085-112-1		1403-	L	01	AB		
		8-98091-477-0		1312-1402	R	01	A		
		8-98091-477-0		1403-	R	01	AB		
53		PIVOT; SIDE MIRROR 1-71736-489-2		1312-1402		04	A		ID=22.2
		1-71736-489-2		1403-		04	AB		ID=22.2
58		NUT; MIRROR STAY 8-98061-883-0		1312-1402	L	01	A		
		8-98061-883-0		1403-	L	01	AB		
61		NUT; STAY, OUTSIDE MIRROR 0-91180-108-0		1312-1402	L	01	A		M8 FLANGE
		0-91180-108-0		1403-	L	01	AB		M8 FLANGE
63		NUT; STAY 8-98174-339-0		1312-1402	L	01	A		M14 TOUGH LOCK NUT W/FLANGE
		8-98174-339-0		1403-	L	01	AB		M14 TOUGH LOCK NUT W/FLANGE
66		WASHER; PL 0-91610-614-0		1312-1402	L	01	A		LOWER
		0-91610-614-0		1403-	L	01	AB		LOWER
		8-98201-756-0		1312-1402	L	01	A		UPPER
		8-98201-756-0		1403-	L	01	AB		UPPER
71		BRACKET; OUTSIDE MIRROR 1-71707-224-0		1312-1402		04	A		(A)
		1-71707-224-0		1403-		04	AB		(A)
		8-98040-022-1		1312-1402	L	01	A		(C)
		8-98040-022-1		1403-	L	01	AB		(C)
		8-98201-957-0		1312-1402	L	01	A		(E)

7-20

MIRROR AND MIRROR STAY

KEY	R / C	PART NAME PART NUMBER	I T C	APPLIED DATE	L / R	Qty	APPLIED MODEL	RESTRICTION/REMARKS	
								A FVR WIDE CAB(FGR5MV)	B GVR WIDE CAB(GGR5MV)
71		8-98201-957-0		1403-	L	01	AB		
		8-98040-021-0		1312-1402	R	01	A	(E)	
		8-98040-021-0		1403-	R	01	AB	(B)	
		8-98040-543-1		1312-1402	R	01	A	(B)	
		8-98040-543-1		1403-	R	01	AB	(D)	
72		SHEET						(D)	
		8-98040-535-0		1312-1402	L	01	A	(D)	
		8-98040-535-0		1403-	L	01	AB	(C)	
		8-98040-537-1		1312-1402	L	01	A	(C)	
		8-98040-537-1		1403-	L	01	AB	(D)	
		8-98040-351-0		1312-1402	R	01	A	(D)	
		8-98040-351-0		1403-	R	01	AB	(A)	
		8-98040-353-1		1312-1402	R	01	A	(A)	
		8-98040-353-1		1403-	R	01	AB	(B)	
86		COVER; STAY, OUTSIDE MIRROR						(B)	
		1-71737-649-1		1312-1402	L	01	A	BLACK	
		1-71737-649-1		1403-	L	01	AB	(B)	
		8-98040-545-1		1312-1402	L	01	A	BLACK	
		8-98040-545-1		1403-	L	01	AB	(C)	
		8-98040-546-1		1312-1402	L	01	A	(C)	
		8-98040-546-1		1403-	L	01	AB	(D)	
		8-98040-541-1		1312-1402	R	01	A	(D)	
		8-98040-541-1		1403-	R	01	AB	(A)	
87		SPACER						(A)	
		1-71737-646-2		1312-1402	L	01	A		

7-20

MIRROR AND MIRROR STAY

KEY	R / C	PART NAME PART NUMBER	I T C	APPLIED DATE	L / R	Qty	APPLIED MODEL	RESTRICTION/REMARKS
								A FVR WIDE CAB(FGR5MV) B GVR WIDE CAB(GGR5MV)
87		1-71737-646-2		1403-	L	01	AB	
89		SCREW; BRKT,OUTSIDE MIRROR 8-98067-249-2		1312-1402		10	A	
		8-98067-249-2		1403-		10	AB	M8X26 W/PL WASHER
92		BOLT; STAY BRKT,MIRROR 8-98076-109-0		1312-1402	L	04	A	M8X26 W/PL WASHER
		8-98076-109-0		1403-	L	04	AB	M8X16 FLANGE
118		JOINT ASM; BALL 1-71798-356-2		1312-1402	L	01	A	M8X16 FLANGE
		1-71798-356-2		1403-	L	01	AB	
135		LENS; MIRROR,SIDE UNDER 1-71798-838-0		1312-1402	L	01	A	
		1-71798-838-0		1403-	L	01	AB	
136		WASHER; LK,BRKT,MIRROR STAY 1-09985-180-0		1312-1402	L	01	A	(A) ID=10
		1-09985-180-0		1403-	L	01	AB	(A) ID=10
		1-09985-184-0		1312-1402	L	02	A	(B) ID=10.5 OD=26 T=2.6
		1-09985-184-0		1403-	L	02	AB	(B) ID=10.5 OD=26 T=2.6
		1-09985-204-0		1312-1402	R	04	A	(C) ID=10.5 OD=26 T=2.6
		1-09985-204-0		1403-	R	04	AB	(C) ID=10.5 OD=26 T=2.6
145		NUT; CAP,SUB STAY 1-09984-134-0		1312-1402		03	A	M10 CAP NUT
		1-09984-134-0		1403-		03	AB	M10 CAP NUT
181		SEAL; BRKT 8-94272-533-0		1312-1402	L	01	A	25X25
		8-94272-533-0		1403-	L	01	AB	25X25
		1-76798-019-0		1312-1402	R	01	A	OD=25 BLACK

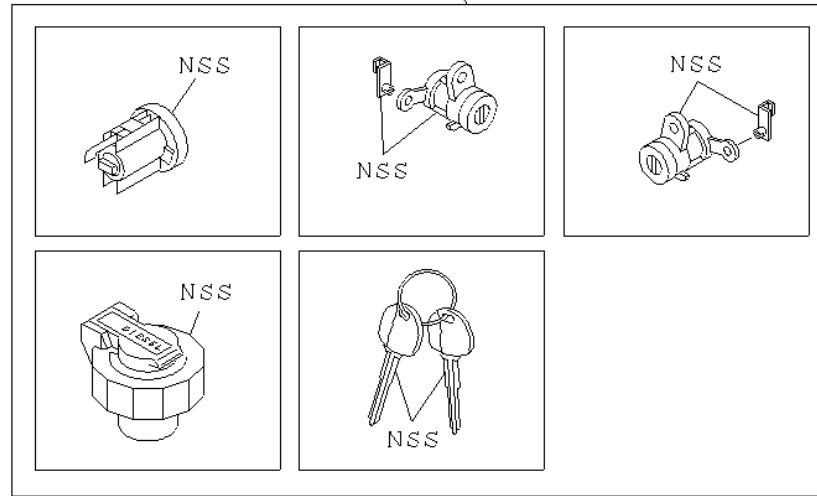
7-20

MIRROR AND MIRROR STAY

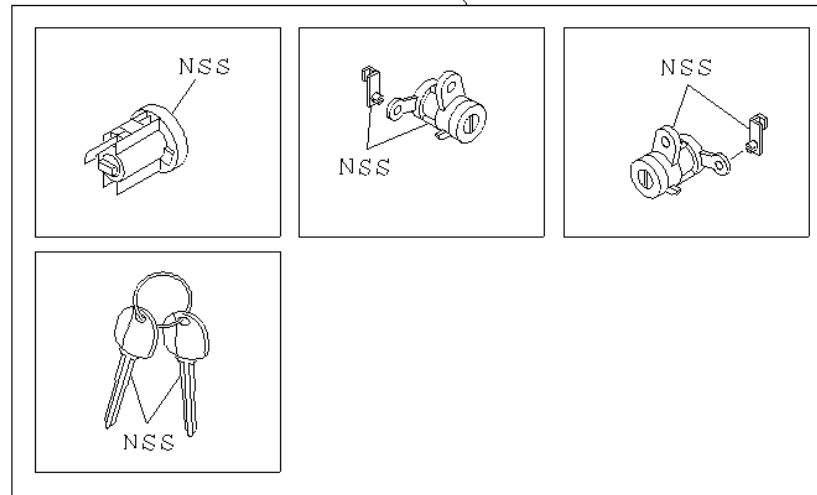
KEY	R / C	PART NAME PART NUMBER	I T C	APPLIED DATE	L / R	Qty	APPLIED MODEL	RESTRICTION/REMARKS
								A FVR WIDE CAB(FGR5MV) B GVR WIDE CAB(GGR5MV)
181		1-76798-019-0		1403-	R	01	AB	OD=25 BLACK
314		BUFFER; STOPPER 8-94314-317-0		1312-1402	R	02	A	
6-20		8-94314-317-0 Move to 6-20		1403-	R	02	AB	

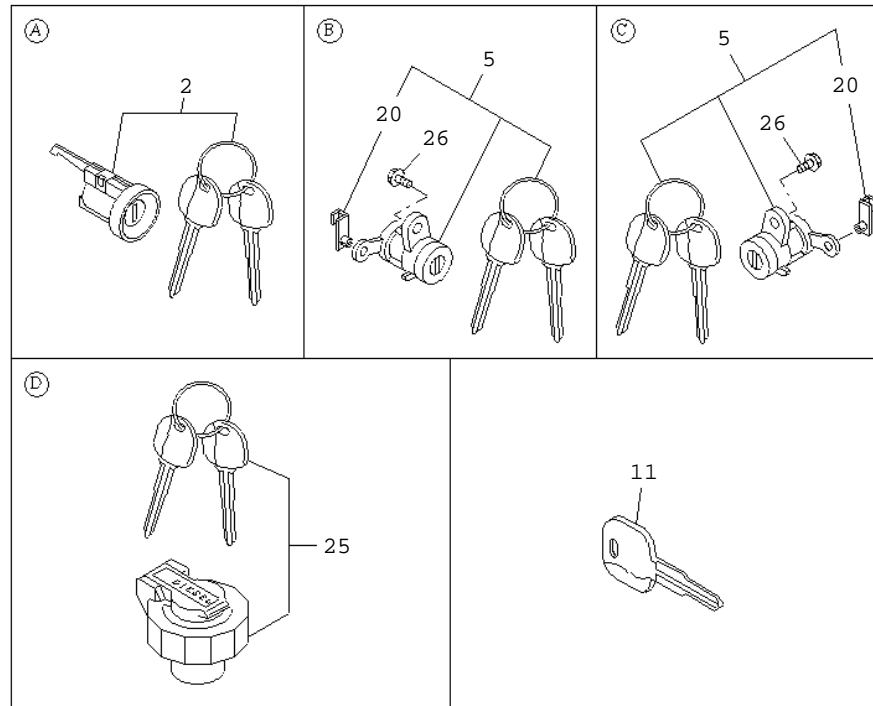
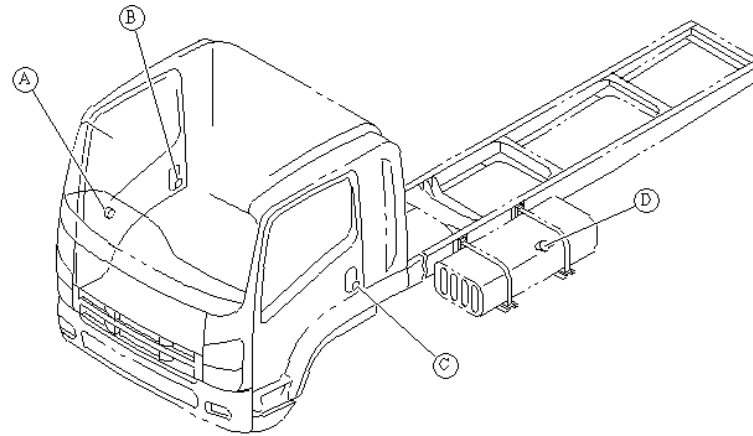
11566 FVR/GVR(INDONESIA) 2014-

1: A)



1: B)



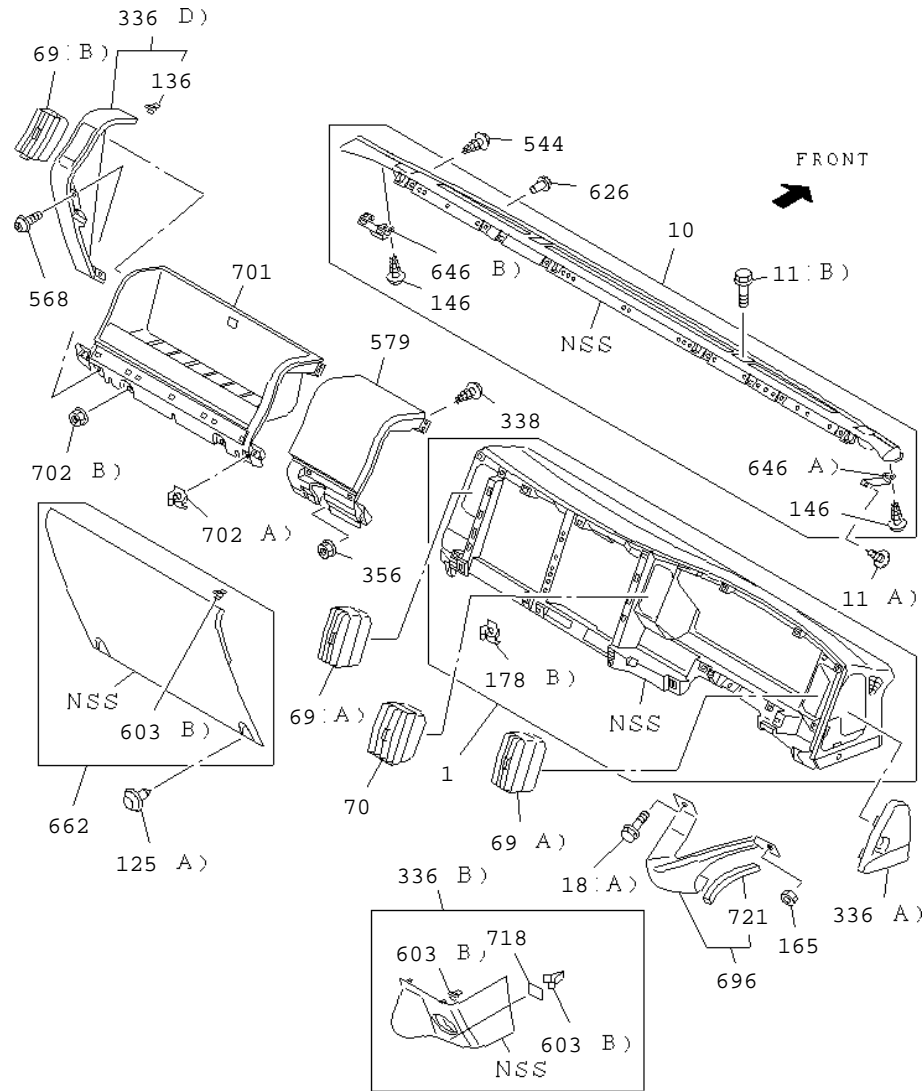


7-30

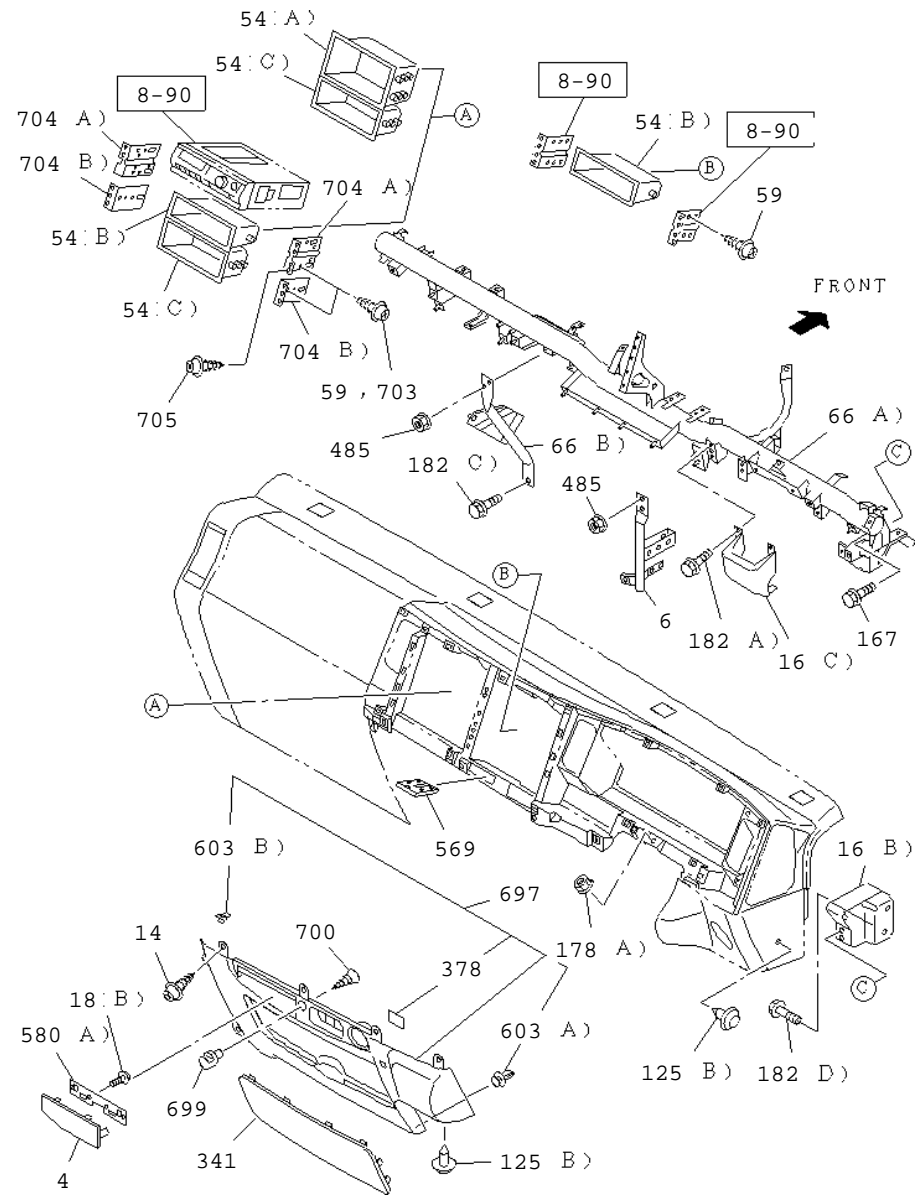
LOCK CYLINDER SET

KEY	R / C	PART NAME PART NUMBER	I T C	APPLIED DATE	L / R	Qty	APPLIED MODEL	RESTRICTION/REMARKS	
								A FVR WIDE CAB(FGR5MV)	B GVR WIDE CAB(GGR5MV)
1		CYLINDER SET; CAR LOCK 8-97948-145-0		1312-1402		01	A	FUEL TANK CAP KEY LOCK<N05> (A) IDN	
		8-97948-145-0		1403-		01	AB	FUEL TANK CAP KEY LOCK<N05> (A) IDN	
		8-98201-161-0		1312-1402		01	A	EXC. FUEL TANK CAP KEY LOCK<N05> (B)	
		8-98201-161-0		1403-		01	AB	EXC. FUEL TANK CAP KEY LOCK<N05> (B)	
2		BARREL ASM; W/KEY,STRG LOCK 8-98201-342-0		1312-1402		01	A		
		8-98201-342-0		1403-		01	AB		
5		CYLINDER ASM; DOOR LOCK 8-98055-149-0		1312-1402	R	01	A		
		8-98055-149-0		1403-	R	01	AB		
		8-98055-150-0		1312-1402	L	01	A		
		8-98055-150-0		1403-	L	01	AB		
11		KEY; BLANK 8-98055-170-0		1312-1402		AR	A		
		8-98055-170-0		1403-		AR	AB		
20		SNAP; DOOR LOCK CYL 8-98055-181-0		1312-1402	L	01	A		
		8-98055-181-0		1403-	L	01	AB		
		8-98055-182-0		1312-1402	R	01	A		
		8-98055-182-0		1403-	R	01	AB		
25	B	CAP; FUEL TANK,W/KEY 8-98146-010-0		1312-1402		01	A	FUEL TANK CAP KEY LOCK<N05>	
		8-98146-010-0		1403-		01	AB	FUEL TANK CAP KEY LOCK<N05>	
26		BOLT; KEY CYL,DOOR 8-98031-839-0		1312-1402		02	A	M6X8 FLANGE IDN	
		8-98031-839-0		1403-		02	AB	M6X8 FLANGE IDN	

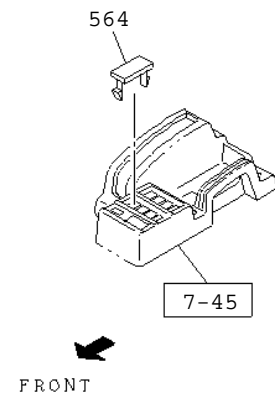
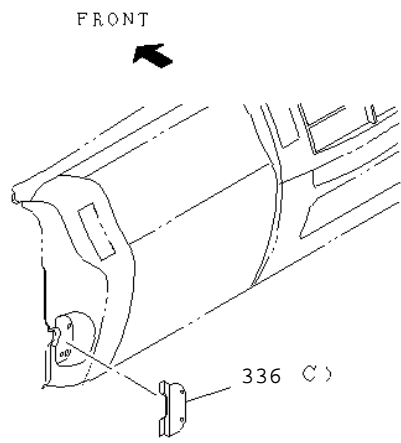
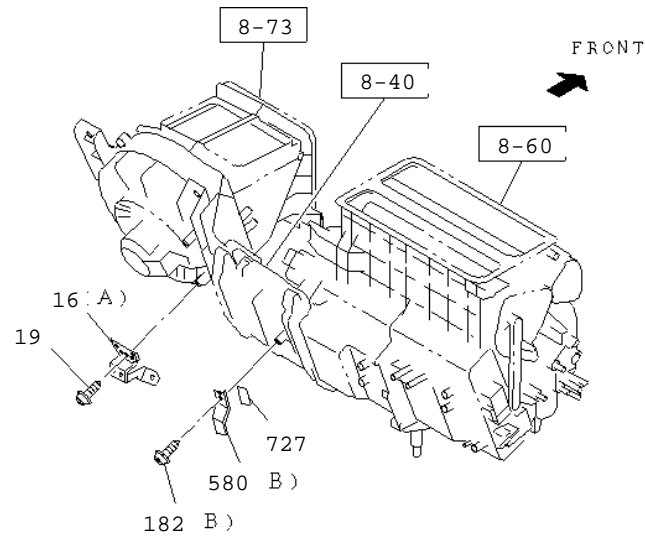
7-40 INSTRUMENT PANEL AND BOX
INST PANEL AND OTHER PARTS



7-40 INSTRUMENT PANEL AND BOX
REINFORCEMENT AND OTHER PARTS



7-40 INSTRUMENT PANEL AND BOX
BRACKET AND COVER



7-40

INSTRUMENT PANEL AND BOX

KEY	R / C	PART NAME PART NUMBER	I T C	APPLIED DATE	L / R	Qty	APPLIED MODEL	RESTRICTION/REMARKS
								A FVR WIDE CAB (FGR5MV) B GVR WIDE CAB (GGR5MV)
1		PANEL; INST 8-97423-015-0		1312-1402		01	A	
		8-97423-015-0		1403-		01	AB	GRAY
4		COVER; INST PNL 8-97407-898-1		1312-1402		01	A	GRAY
		8-97407-898-1		1403-		01	AB	GRAY IDN
6		SUPPORT; INST PANEL 8-98196-255-0		1312-1402		01	A	
		8-98196-255-0		1403-		01	AB	
10		PANEL ASM; GARNISH 8-97422-097-0		1312-1402		01	A	
		8-97422-097-0		1403-		01	AB	GRAY
11		BOLT; INST PNL 0-72180-516-0		1312-1402		08	A	GRAY
		0-72180-516-0		1403-		08	AB	(A) M5X16 TAPPING
		8-98018-440-0		1312-1402		04	A	(A) M5X16 TAPPING
		8-98018-440-0		1403-		04	AB	(B) M6X25 W/LK&PL WASHER
14		SCREW; INST PNL 0-72180-516-0		1312-1402		04	A	(B) M6X25 W/LK&PL WASHER
		0-72180-516-0		1403-		04	AB	M5X16 TAPPING
16		BRACKET; INST PNL 8-98053-711-0		1312-1402		01	A	M5X16 TAPPING
		8-98053-711-0		1403-		01	AB	(C) IDN
		8-98017-204-1		1312-1402	L	01	A	(C) IDN (B)

11566 FVR/GVR (INDONESIA) 2014-

7-40

INSTRUMENT PANEL AND BOX

KEY	R / C	PART NAME PART NUMBER	I T C	APPLIED DATE	L / R	Qty	APPLIED MODEL	RESTRICTION/REMARKS
								A FVR WIDE CAB (FGR5MV) B GVR WIDE CAB (GGR5MV)
16		8-98017-204-1		1403-	L	01	AB	(B)
		8-98017-202-1		1312-1402	R	01	A	(B)
		8-98017-202-1		1403-	R	01	AB	(B)
		8-97585-612-2		1312-1402		01	A	VENTILATOR & DEFROSTER WO/HEATER<SAZ> (A)
		8-97585-612-2		1403-		01	AB	VENTILATOR & DEFROSTER WO/HEATER<SAZ> (A)
18		BOLT; BRKT 0-52000-612-0		1312-1402		01	A	(A) M6X12 W/LK&PL WASHER
		0-52000-612-0		1403-		01	AB	(A) M6X12 W/LK&PL WASHER
		8-98058-632-0		1312-1402		03	A	(B) M5X10 TAPPING W/TORQUES
		8-98058-632-0		1403-		03	AB	(B) M5X10 TAPPING W/TORQUES
19		SCREW; BRKT 0-72180-516-0		1312-1402		01	A	VENTILATOR & DEFROSTER WO/HEATER<SAZ> M5X16 TAPPING
		0-72180-516-0		1403-		01	AB	VENTILATOR & DEFROSTER WO/HEATER<SAZ> M5X16 TAPPING
54		POCKET; CENTER CLUSTER 8-97926-874-0		1402-1402		01	A	VIN MODEL YEAR 2014<VZE> (A) IDN
		8-97926-874-0		1403-		01	AB	VIN MODEL YEAR 2014<VZE> (A) IDN
		8-97407-129-2		1312-1401		01	A	(A) H=108.4 BLACK IDN
		8-97407-129-2		1402-1402		01	A	EXC. VIN MODEL YEAR 2014<VZE> (A) H=108.4 BLACK IDN
		8-97407-129-2		1403-		01	AB	EXC. VIN MODEL YEAR 2014<VZE> (A) H=108.4 BLACK IDN

11566 FVR/GVR (INDONESIA) 2014-

7-40

INSTRUMENT PANEL AND BOX

KEY	R / C	PART NAME PART NUMBER	I T C	APPLIED DATE	L / R	Qty	APPLIED MODEL	RESTRICTION/REMARKS
								A FVR WIDE CAB (FGR5MV) B GVR WIDE CAB (GGR5MV)
54		8-97408-864-2		1312-1402		01	A	(B) H=58.4 BLACK IDN
		8-97408-864-2		1403-		01	AB	(B) H=58.4 BLACK IDN
		8-97408-865-2		1312-1402		01	A	(C) H=69.8 BLACK IDN
		8-97408-865-2		1403-		01	AB	(C) H=69.8 BLACK IDN
59		SCREW; CLUSTER POCKET 8-98058-632-0		1312-1402		04	A	M5X10 TAPPING W/TORQUES
		8-98058-632-0		1403-		04	AB	M5X10 TAPPING W/TORQUES
66		REINFORCEMENT; INST PANEL 8-98151-167-0		1312-1402		01	A	(B)
		8-98151-167-0		1403-		01	AB	(B)
		8-98174-904-1		1312-1402		01	A	(A)
		8-98174-904-1		1403-		01	AB	(A)
69		GRILLE; SIDE,AIR OUTLET 8-98028-561-2		1312-1402		02	A	VENTILATOR & DEFROSTER WO/HEATER<SAZ> (A) IDN
		8-98028-561-2		1403-		02	AB	VENTILATOR & DEFROSTER WO/HEATER<SAZ> (A) IDN
		8-98028-562-2		1312-1402		01	A	VENTILATOR & DEFROSTER WO/HEATER<SAZ> (B) IDN
		8-98028-562-2		1403-		01	AB	VENTILATOR & DEFROSTER WO/HEATER<SAZ> (B) IDN
70		GRILLE; CENTER,AIR OUTLET 8-98028-563-2		1312-1402		01	A	VENTILATOR & DEFROSTER WO/HEATER<SAZ> IDN
		8-98028-563-2		1403-		01	AB	VENTILATOR & DEFROSTER WO/HEATER<SAZ> IDN

INSTRUMENT PANEL AND BOX

KEY	R / C	PART NAME PART NUMBER	I T C	APPLIED DATE	L / R	Qty	APPLIED MODEL	RESTRICTION/REMARKS
								A FVR WIDE CAB(FGR5MV) B GVR WIDE CAB(GGR5MV)
125		CLIP; INST PANEL 8-97408-817-0		1312-1402		04	A	(B) GRAY
		8-97408-817-0		1403-		04	AB	(B) GRAY
		8-97419-968-1		1312-1401		02	A	(A) GRAY IDN
		8-97419-968-1		1402-1402		02	A	VENTILATOR & DEFROSTER WO/HEATER<SAZ> EXC. VIN MODEL YEAR 2014<VZE> (A) GRAY IDN
		8-97419-968-1		1403-		02	AB	VENTILATOR & DEFROSTER WO/HEATER<SAZ> EXC. VIN MODEL YEAR 2014<VZE> (A) GRAY IDN
136		CLIP; INST COVER 8-98076-254-0		1312-1402		02	A	
		8-98076-254-0		1403-		02	AB	
146		SCREW; TAP 0-72180-516-0		1312-1402		03	A	M5X16 TAPPING
		0-72180-516-0		1403-		03	AB	M5X16 TAPPING
165		NUT; BRKT KNEE PAD 0-91180-106-0		1312-1402		01	A	M6 FLANGE
		0-91180-106-0		1403-		01	AB	M6 FLANGE
167		BOLT; REINF TO INST 8-97264-766-0		1312-1402		04	A	M8X23 FLANGE
		8-97264-766-0		1403-		04	AB	M8X23 FLANGE
178		NUT; INST PANEL 0-91180-106-0		1312-1402		01	A	(A) M6 FLANGE
		0-91180-106-0		1403-		01	AB	(A) M6 FLANGE

7-40

INSTRUMENT PANEL AND BOX

KEY	R / C	PART NAME PART NUMBER	I T C	APPLIED DATE	L / R	Qty	APPLIED MODEL	RESTRICTION/REMARKS
								A FVR WIDE CAB (FGR5MV) B GVR WIDE CAB (GGR5MV)
178		8-98037-629-0		1312-1402		15	A	(B) IDN
		8-98037-629-0		1403-		15	AB	(B) IDN
182		BOLT; BRKT, INST PANEL 0-28050-816-0		1312-1402		04	A	(D) M8X16 FLANGE
		0-28050-816-0		1403-		04	AB	(D) M8X16 FLANGE
		0-52000-612-0		1312-1402		02	A	(A) M6X12 W/LK&PL WASHER
		0-52000-612-0		1403-		02	AB	(A) M6X12 W/LK&PL WASHER
		8-98018-439-0		1312-1402		01	A	(C) M8X25 W/LK&PL WASHER
		8-98018-439-0		1403-		01	AB	(C) M8X25 W/LK&PL WASHER
		0-72180-516-0		1312-1401		01	A	M8X25 W/LK&PL WASHER VENTILATOR & DEFROSTER WO/HEATER<SAZ>
		0-72180-516-0		1402-1402		01	A	(B) M5X16 TAPPING VENTILATOR & DEFROSTER WO/HEATER<SAZ>
		0-72180-516-0		1403-		01	AB	(B) M5X16 TAPPING VENTILATOR & DEFROSTER WO/HEATER<SAZ>
336		COVER; INST PANEL SIDE 8-97407-420-1		1312-1402		01	A	(A) GRAY
		8-97407-420-1		1403-		01	AB	(A) GRAY
		8-97407-427-4		1312-1402		01	A	(D) GRAY

11566 FVR/GVR (INDONESIA) 2014-

INSTRUMENT PANEL AND BOX

KEY	R / C	PART NAME PART NUMBER	I T C	APPLIED DATE	L / R	Qty	APPLIED MODEL	RESTRICTION/REMARKS
								A FVR WIDE CAB (FGR5MV) B GVR WIDE CAB (GGR5MV)
336		8-97407-427-4		1403-		01	AB	(D) GRAY
		8-97409-491-1		1312-1402		01	A	(C) GRAY
		8-97409-491-1		1403-		01	AB	(C) GRAY
		8-97422-653-0		1312-1402		01	A	(B) GRAY
		8-97422-653-0		1403-		01	AB	(B) GRAY
338		SCREW; COVER 0-72180-516-0		1312-1402		04	A	M5X16 TAPPING
		0-72180-516-0		1403-		04	AB	M5X16 TAPPING
341		LID; FUSE BOX 8-97422-209-0		1312-1402		01	A	GRAY
		8-97422-209-0		1403-		01	AB	GRAY
356		NUT; COVER 0-91180-106-0		1312-1402		01	A	M6 FLANGE
		0-91180-106-0		1403-		01	AB	M6 FLANGE
378		SEAL; INST PANEL 8-98176-199-0		1312-1402		01	A	5X30 IDN
		8-98176-199-0		1403-		01	AB	5X30 IDN
485		NUT; SUPPORT CLIP, HARNESS 0-91180-106-0		1312-1402		04	A	M6 FLANGE
		0-91180-106-0		1403-		04	AB	M6 FLANGE
544		SCREW; TRAY 0-72180-516-0		1312-1402		03	A	M5X16 TAPPING
		0-72180-516-0		1403-		03	AB	M5X16 TAPPING
564		COVER; SW						

7-40

INSTRUMENT PANEL AND BOX

KEY	R / C	PART NAME PART NUMBER	I T C	APPLIED DATE	L / R	Qty	APPLIED MODEL	RESTRICTION/REMARKS
								A FVR WIDE CAB(FGR5MV) B GVR WIDE CAB(GGR5MV)
564		8-97043-732-1		1403-		04	B	
		8-97043-732-1		1312-		06	A	
568		BOLT; COVER 8-98031-842-0		1402-1402		02	A	VENTILATOR & DEFROSTER WO/HEATER<SAZ> VIN MODEL YEAR 2014<VZE> M6X20 W/LK&PL WASHER
		8-98031-842-0		1403-		02	AB	VENTILATOR & DEFROSTER WO/HEATER<SAZ> VIN MODEL YEAR 2014<VZE> M6X20 W/LK&PL WASHER
		0-72180-516-0		1312-1401		01	A	
		0-72180-516-0		1402-1402		01	A	M5X16 TAPPING VENTILATOR & DEFROSTER WO/HEATER<SAZ>
		0-72180-516-0		1403-		01	AB	M5X16 TAPPING VENTILATOR & DEFROSTER WO/HEATER<SAZ> M5X16 TAPPING
569		HOLDER; CARD 8-97410-276-0		1312-1402		01	A	
		8-97410-276-0		1403-		01	AB	IDN
579		COVER; INST PNL 8-97409-853-2		1312-1402		01	A	IDN
		8-97409-853-2		1403-		01	AB	GRAY
580		BRACKET; COVER 8-98091-546-0		1312-1402		01	A	GRAY
		8-98091-546-0		1403-		01	AB	(A) IDN
		8-98017-528-1		1312-1401		01	A	(A) IDN
		8-98017-528-1		1402-1402		01	A	VENTILATOR & DEFROSTER WO/HEATER<SAZ> (B) VENTILATOR & DEFROSTER WO/HEATER<SAZ> EXC. VIN MODEL YEAR 2014<VZE>
		8-98017-528-1		1403-		01	AB	(B) VENTILATOR & DEFROSTER WO/HEATER<SAZ> EXC. VIN MODEL YEAR 2014<VZE> (B)
603		CLIP; COVER 8-98004-025-0		1312-1402		01	A	(A) IDN
		8-98004-025-0		1403-		01	AB	(A) IDN

11566 FVR/GVR (INDONESIA) 2014-

7-40

INSTRUMENT PANEL AND BOX

KEY	R / C	PART NAME PART NUMBER	I T C	APPLIED DATE	L / R	Qty	APPLIED MODEL	RESTRICTION/REMARKS
								A FVR WIDE CAB (FGR5MV) B GVR WIDE CAB (GGR5MV)
603		8-98021-271-0		1312-1402		04	A	(B) IDN
		8-98021-271-0		1403-		04	AB	(B) IDN
		8-98021-271-0		1312-1401		05	A	(B) IDN
		8-98021-271-0		1402-1402		05	A	VENTILATOR & DEFROSTER WO/HEATER<SAZ> (B) IDN
		8-98021-271-0		1403-		05	AB	VENTILATOR & DEFROSTER WO/HEATER<SAZ> (B) IDN
626		RETAINER 8-94279-804-0		1312-1402		02	A	OD=15 BLACK
		8-94279-804-0		1403-		02	AB	OD=15 BLACK
646		BRACKET; GARNISH PANEL 8-98051-490-2		1312-1402		01	A	(A)
		8-98051-490-2		1403-		01	AB	(A)
		8-98051-492-2		1312-1402		01	A	(B)
		8-98051-492-2		1403-		01	AB	(B)
662		COVER; LWR, INST PANEL 8-97407-429-3		1312-1401		01	A	GRAY
		8-97407-429-3		1402-1402		01	A	GRAY VENTILATOR & DEFROSTER WO/HEATER<SAZ>
		8-97407-429-3		1403-		01	AB	GRAY VENTILATOR & DEFROSTER WO/HEATER<SAZ> GRAY
696		BRACKET; KNEE 8-98066-085-1		1312-1402		01	A	
		8-98066-085-1		1403-		01	AB	
697		PANEL; INST CENTER 8-97422-207-1		1312-1402		01	A	GRAY
		8-97422-207-1		1403-		01	AB	GRAY
699		HOOK; INST PANEL 8-97408-927-0		1312-1402		01	A	GRAY IDN

7-40

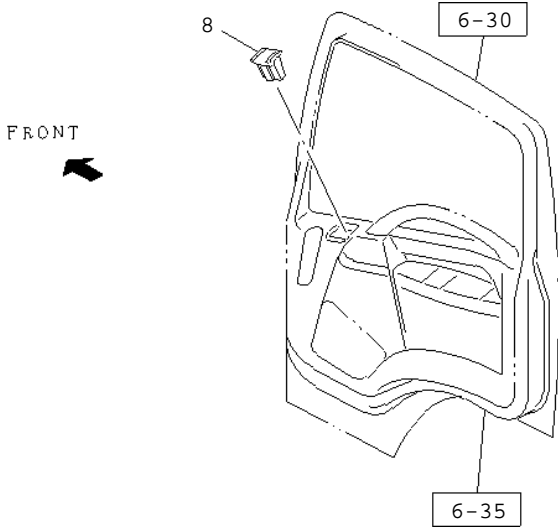
INSTRUMENT PANEL AND BOX

KEY	R / C	PART NAME PART NUMBER	I T C	APPLIED DATE	L / R	Qty	APPLIED MODEL	RESTRICTION/REMARKS
								A FVR WIDE CAB (FGR5MV) B GVR WIDE CAB (GGR5MV)
699		8-97408-927-0		1403-		01	AB	
700		BOLT; HOOK 0-72180-516-0		1312-1402		01	A	GRAY IDN
		0-72180-516-0		1403-		01	AB	M5X16 TAPPING
701		TRAY; INST 8-97421-976-1		1312-1402		01	A	M5X16 TAPPING
		8-97421-976-1		1403-		01	AB	GRAY
702		NUT; TRAY 0-91180-106-0		1312-1402		02	A	GRAY
		0-91180-106-0		1403-		02	AB	(B) M6 FLANGE
		8-98037-629-0		1312-1402		01	A	(B) M6 FLANGE
		8-98037-629-0		1403-		01	AB	(A) IDN
703		SCREW; CENTER POCKET 8-98058-632-0		1312-1402		04	A	(A) IDN
		8-98058-632-0		1403-		04	AB	M5X10 TAPPING W/TORQUES
704		BRACKET; CENTER POCKET 8-97585-616-2		1312-1402		02	A	M5X10 TAPPING W/TORQUES
		8-97585-616-2		1403-		02	AB	(B) IDN
		8-97585-618-2		1312-1402		02	A	(B) IDN
		8-97585-618-2		1403-		02	AB	(A) IDN
705		SCREW; BRACKET CENTER POCKET 0-72180-520-0		1312-1402		08	A	(A) IDN
								M5X20 HEXALOBULAR SOCKET

7-40

INSTRUMENT PANEL AND BOX

KEY	R / C	PART NAME PART NUMBER	I T C	APPLIED DATE	L / R	Qty	APPLIED MODEL	RESTRICTION/REMARKS
								A FVR WIDE CAB(FGR5MV) B GVR WIDE CAB(GGR5MV)
705		0-72180-520-0		1403-		08	AB	M5X20 HEXALOBULAR SOCKET
718		SEAL; COVER 8-98061-777-0		1312-1402		01	A	7X31 IDN
		8-98061-777-0		1403-		01	AB	7X31 IDN
721		FINISHER; BRKT,KNEE 8-97892-742-0		1312-1402		01	A	L=140 IDN
		8-97892-742-0		1403-		01	AB	L=140 IDN
727		SEAL; BRACKET 8-98186-934-0		1312-1401		01	A	VENTILATOR & DEFROSTER WO/HEATER<SAZ>
		8-98186-934-0		1402-1402		01	A	VENTILATOR & DEFROSTER WO/HEATER<SAZ>
		8-98186-934-0		1403-		01	AB	EXC. VIN MODEL YEAR 2014<VZE> VENTILATOR & DEFROSTER WO/HEATER<SAZ> EXC. VIN MODEL YEAR 2014<VZE>
8-90		Move to 8-90						
7-45		Move to 7-45						
8-40		Move to 8-40						
8-60		Move to 8-60						
8-73		Move to 8-73						



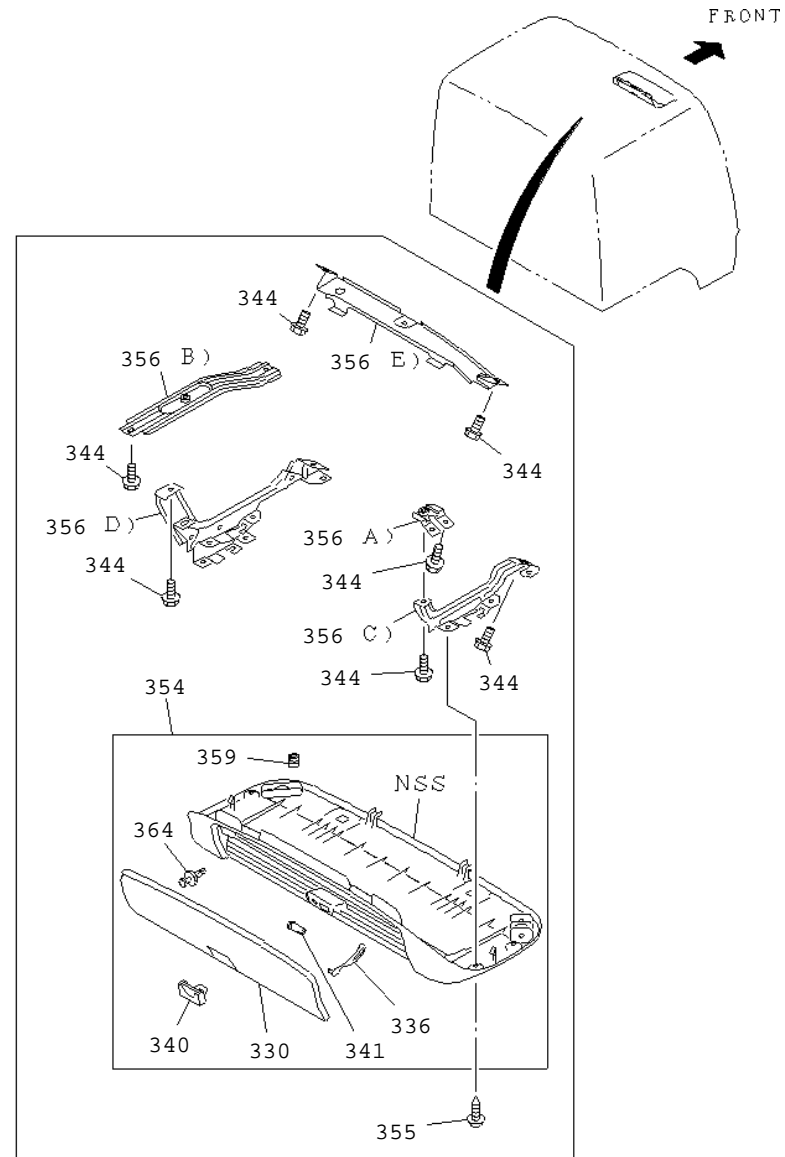
7-42

ASH TRAY

KEY	R / C	PART NAME PART NUMBER	I T C	APPLIED DATE	L / R	Qty	APPLIED MODEL	RESTRICTION/REMARKS
								A FVR WIDE CAB(FGR5MV) B GVR WIDE CAB(GGR5MV)
8		TRAY ASM; ASH 8-97405-320-1		1312-1402	R	01	A	
		8-97405-320-1		1403-	R	01	AB	GRAY IDN
6-30		Move to 6-30						GRAY IDN
6-35		Move to 6-35						

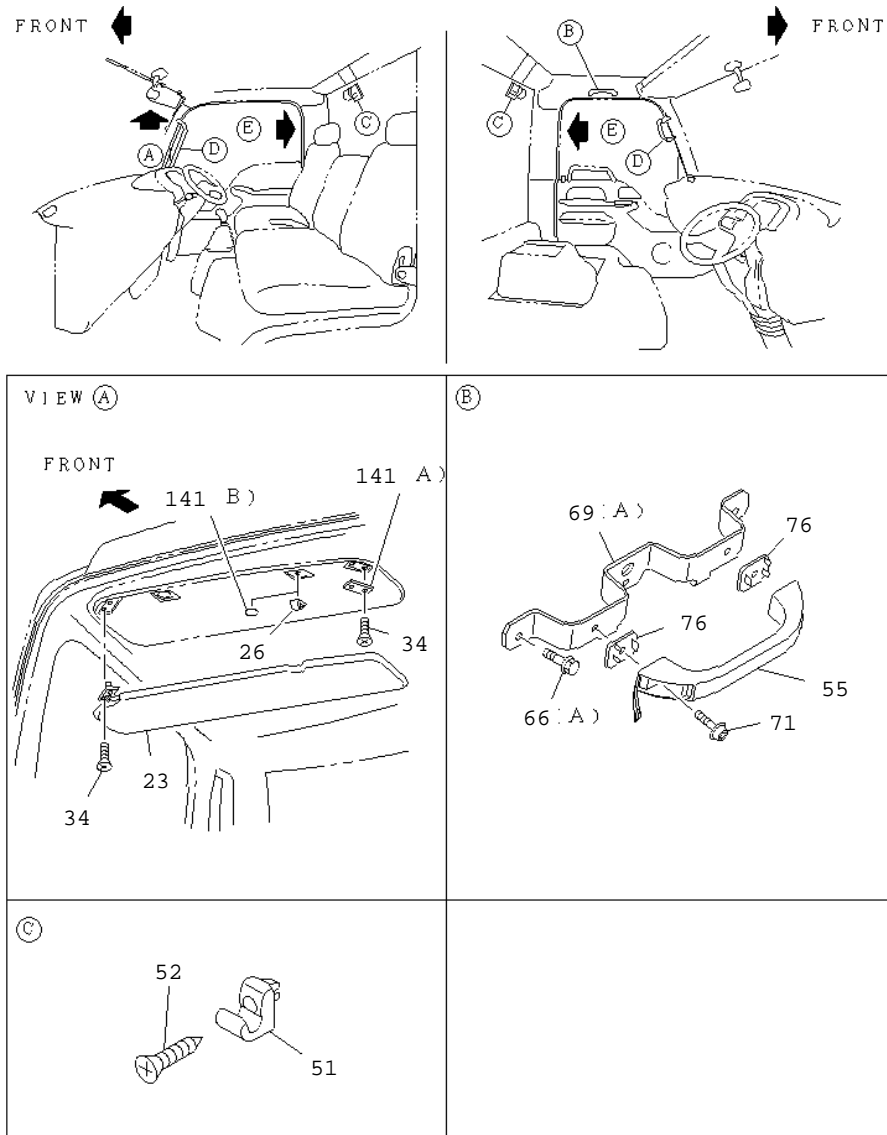
11566 FVR/GVR (INDONESIA) 2014-

7-43 SUN VISOR AND ASSIST GRIP
TRAY;HEADER ROOF



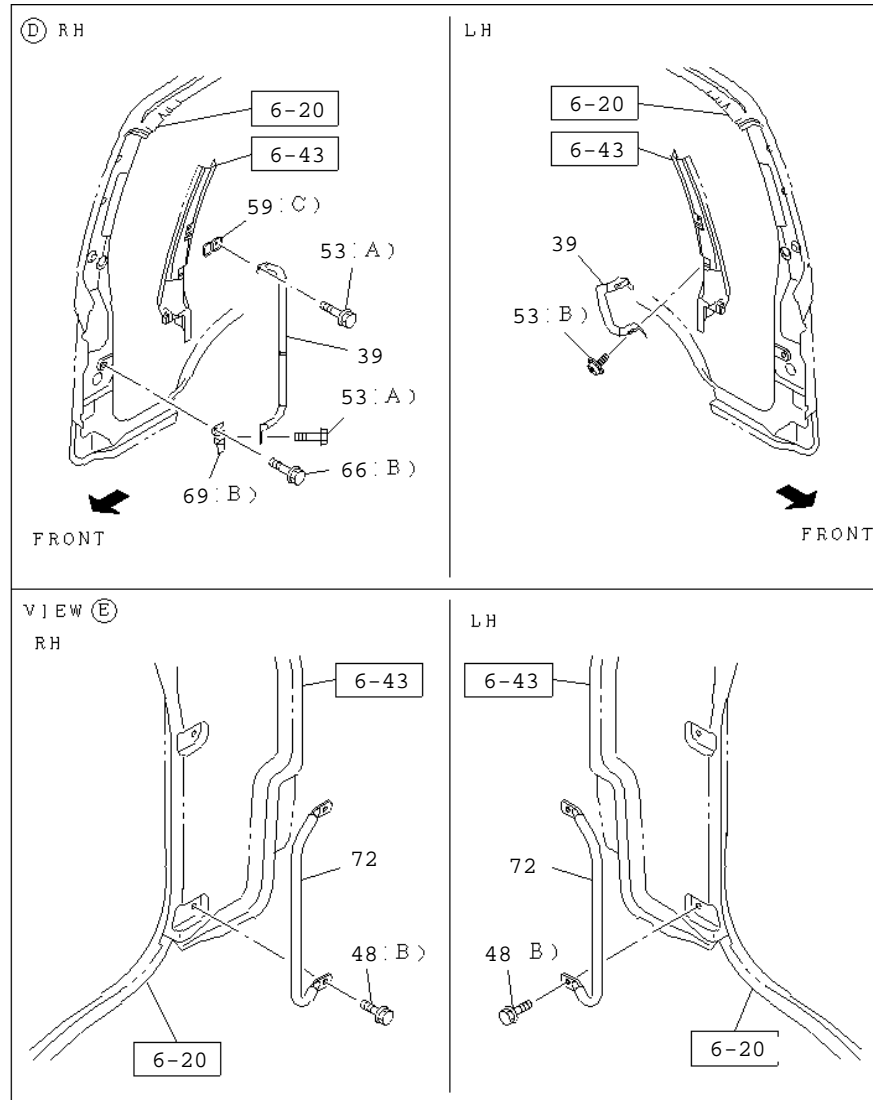
7-43 SUN VISOR AND ASSIST GRIP

SUN VISOR AND OTHER PARTS

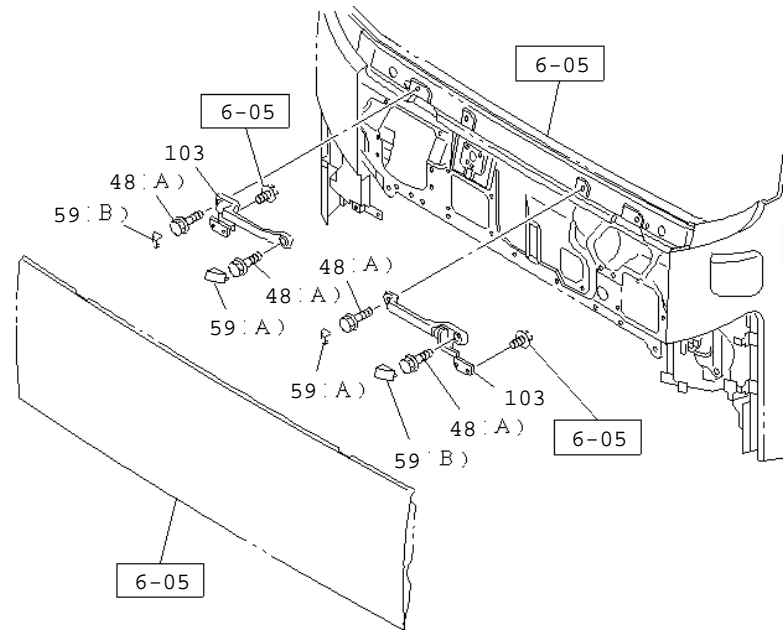


7-43 SUN VISOR AND ASSIST GRIP

ASSIST GRIP NO.1



7-43 SUN VISOR AND ASSIST GRIP
ASSIST GRIP NO.2



7-43

SUN VISOR AND ASSIST GRIP

KEY	R / C	PART NAME PART NUMBER	I T C	APPLIED DATE	L / R	Qty	APPLIED MODEL	RESTRICTION/REMARKS
								A FVR WIDE CAB(FGR5MV) B GVR WIDE CAB(GGR5MV)
23		SUN VISOR 8-97407-373-2		1312-1402	R	01	A	
		8-97407-373-2		1403-	R	01	AB	DARK GRAY IDN
26		HOLDER; SUN VISOR 8-97405-171-0		1312-1402		01	A	
		8-97405-171-0		1403-		01	AB	DARK GRAY IDN
34		SCREW; SUN VISOR 8-98033-674-0		1312-1402		04	A	
		8-98033-674-0		1403-		04	AB	M6X26
39		HANDLE; ASSIST,A-POST 8-97405-249-2		1312-1402	L	01	A	
		8-97405-249-2		1403-	L	01	AB	DARK GRAY
		8-97407-942-2		1312-1402	R	01	A	DARK GRAY
		8-97407-942-2		1403-	R	01	AB	DARK GRAY IDN
48		BOLT; ASSIST GRIP 0-28060-816-0		1312-1402		04	A	
		0-28060-816-0		1403-		04	AB	(B) M8X16 FLANGE
		0-28660-830-0		1312-1402		04	A	(B) M8X16 FLANGE
		0-28660-830-0		1403-		04	AB	(A) M8X30 FLANGE
51		HOOK; COAT HANGER 8-97409-845-0		1312-1402		02	A	
		8-97409-845-0		1403-		02	AB	DARK GRAY
52		SCREW; HOOK						DARK GRAY

11566 FVR/GVR(INDONESIA) 2014-

7-43

SUN VISOR AND ASSIST GRIP

KEY	R / C	PART NAME PART NUMBER	I T C	APPLIED DATE	L / R	Qty	APPLIED MODEL	RESTRICTION/REMARKS
								A FVR WIDE CAB(FGR5MV) B GVR WIDE CAB(GGR5MV)
52		0-70540-420-0		1312-1402		02	A	
		0-70540-420-0		1403-		02	AB	M4X20 TAPPING OVAL-HEAD IDN
53		SCREW; ASSIST HANDLE 8-98004-344-0		1312-1402	L	02	A	
		8-98004-344-0		1403-	L	02	AB	(B) M6X28
		0-28650-820-0		1312-1402	R	02	A	(B) M6X28
		0-28650-820-0		1403-	R	02	AB	(A) M8X20 FLANGE IDN
55		GRIP; ASSIST,CAB SIDE UPR 8-97405-285-2		1312-1402		01	A	
		8-97405-285-2		1403-		01	AB	DARK GRAY
59		COVER; ASSIST GRIP 1-71998-789-2		1312-1402		02	A	
		1-71998-789-2		1403-		02	AB	(B)
		1-71998-790-2		1312-1402		02	A	(B)
		1-71998-790-2		1403-		02	AB	(A)
		8-97407-417-1		1312-1402	R	01	A	(A)
		8-97407-417-1		1403-	R	01	AB	(C) DARK GRAY
66		BOLT; ASSIST GRIP BRKT 0-28050-816-0		1312-1402		04	A	
		0-28050-816-0		1403-		04	AB	(B) M8X16 FLANGE
								(B) M8X16 FLANGE

11566 FVR/GVR(INDONESIA) 2014-

7-43

SUN VISOR AND ASSIST GRIP

KEY	R / C	PART NAME PART NUMBER	I T C	APPLIED DATE	L / R	Qty	APPLIED MODEL	RESTRICTION/REMARKS
								A FVR WIDE CAB(FGR5MV) B GVR WIDE CAB(GGR5MV)
66		8-97108-669-0		1312-1402		03	A	(A)
		8-97108-669-0		1403-		03	AB	M6X12 FLANGE
69		BRACKET; ASSIST GRIP 8-98014-094-0		1312-1402		01	A	(A)
		8-98014-094-0		1403-		01	AB	M6X12 FLANGE
		8-98057-972-2		1312-1402	L	01	A	(A)
		8-98057-972-2		1403-	L	01	AB	(B)
		8-98057-971-2		1312-1402	R	01	A	(B)
		8-98057-971-2		1403-	R	01	AB	(B)
71		SCREW 8-98004-344-0		1312-1402		02	A	M6X28
		8-98004-344-0		1403-		02	AB	M6X28
72		GRIP; ASSIST,CAB ENTRY,BACK 8-97386-939-0		1312-1402		02	A	IDN
		8-97386-939-0		1403-		02	AB	IDN
76		SPACER; ASSIST GRIP 8-97405-286-0		1312-1402		02	A	DARK GRAY
		8-97405-286-0		1403-		02	AB	DARK GRAY
103		GRIP; ASSIST,FRT PNL 8-98036-565-1		1312-1402	L	01	A	
		8-98036-565-1		1403-	L	01	AB	
		8-98036-566-1		1312-1402	R	01	A	
		8-98036-566-1		1403-	R	01	AB	
141		COVER; SUN VISOR 8-97408-029-0		1312-1402		01	A	(A)
		8-97408-029-0		1403-		01	AB	L=66 B=30 DARK GRAY
								(A) L=66 B=30 DARK GRAY

11566 FVR/GVR(INDONESIA) 2014-

7-43

SUN VISOR AND ASSIST GRIP

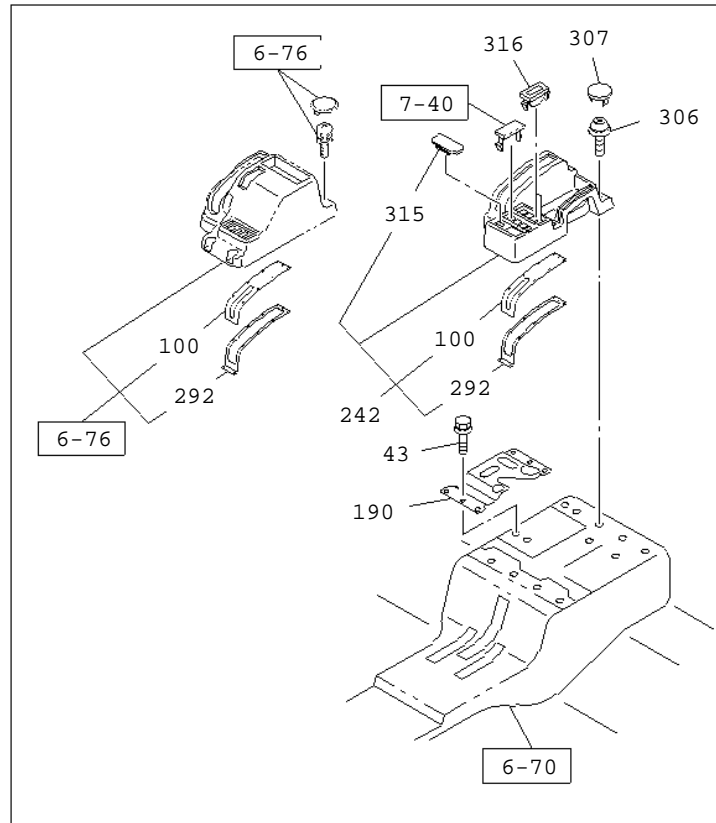
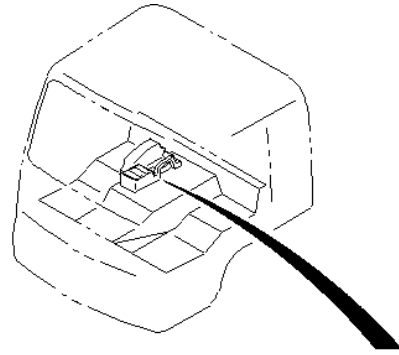
KEY	R / C	PART NAME PART NUMBER	I T C	APPLIED DATE	L / R	Qty	APPLIED MODEL	RESTRICTION/REMARKS
								A FVR WIDE CAB(FGR5MV) B GVR WIDE CAB(GGR5MV)
141		8-97408-030-0		1312-1401		01	A	(B) OD=30 T=0.05 DARK GRAY
		8-97408-030-0		1402-1402		02	A	(B) OD=30 T=0.05 DARK GRAY
		8-97408-030-0		1403-		02	AB	(B) OD=30 T=0.05 DARK GRAY
330		LID; HEADER SHELF 8-97407-834-1		1312-1402	R	01	A	DARK GRAY
		8-97407-834-1		1403-	R	01	AB	DARK GRAY
336		STAY; LID 1-72448-379-3		1312-1401	R	02	A	
		1-72448-379-3		1402-1402	R	04	A	
		1-72448-379-3		1403-	R	04	AB	
340		LOCK; HEADER SHELF 1-72448-376-0		1312-1402	R	01	A	
		1-72448-376-0		1403-	R	01	AB	
341		HINGE; LID,HEADER SHELF 8-98025-428-2		1312-1402	R	02	A	
		8-98025-428-2		1403-	R	02	AB	
344		BOLT; BRKT,FRT 8-97108-669-0		1404-	R	08	AB	M6X12 FLANGE
		8-97108-669-0		1312-1402		10	A	M6X12 FLANGE
		8-97108-669-0		1403-1403		10	AB	M6X12 FLANGE
		8-97108-669-0		1404-		02	AB	M6X12 FLANGE
354		TRAY; HEADER ROOF 8-97407-386-5	C	1312-1401	R	01	A	DARK GRAY
		8-97428-821-0		1402-1402	R	01	A	DARK GRAY
		8-97428-821-0		1403-	R	01	AB	DARK GRAY
355		SCREW; TRAY 0-72380-516-0		1312-1402	R	04	A	M5X16 HEX SOCKET IDN
		0-72380-516-0		1403-	R	04	AB	M5X16 HEX SOCKET IDN
356		BRACKET; ROOF OUTER						

7-43

SUN VISOR AND ASSIST GRIP

KEY	R / C	PART NAME PART NUMBER	I T C	APPLIED DATE	L / R	Qty	APPLIED MODEL	RESTRICTION/REMARKS	
								A FVR WIDE CAB(FGR5MV)	B GVR WIDE CAB(GGR5MV)
356		8-97386-874-1		1312-1402	R	01	A		
		8-97386-874-1		1403-	R	01	AB	(A)	
		8-98010-059-0		1312-1402	R	01	A	(A)	
		8-98010-059-0		1403-	R	01	AB	(B)	
		8-98014-088-3		1312-1402	R	01	A	(B)	
		8-98014-088-3		1403-	R	01	AB	(C)	
		8-98023-257-2		1312-1402	R	01	A	(C)	
		8-98023-257-2		1403-	R	01	AB	(D)	
		8-98042-015-3		1312-1402	R	01	A	(D)	
		8-98042-015-3		1403-	R	01	AB	(E)	
		8-98042-015-3		1403-	R	01	AB	(E)	
359		HOLDER; HEADER TRAY							
		8-98041-754-0		1312-1402	R	04	A		
		8-98041-754-0		1403-	R	04	AB		
364		STOPPER; LID							
		8-98010-867-1		1312-1402	R	03	A		
		8-98010-867-1		1403-	R	03	AB	IDN	
6-20		Move to 6-20						IDN	
6-43		Move to 6-43							
6-05		Move to 6-05							

11566 FVR/GVR(INDONESIA) 2014-



7-45

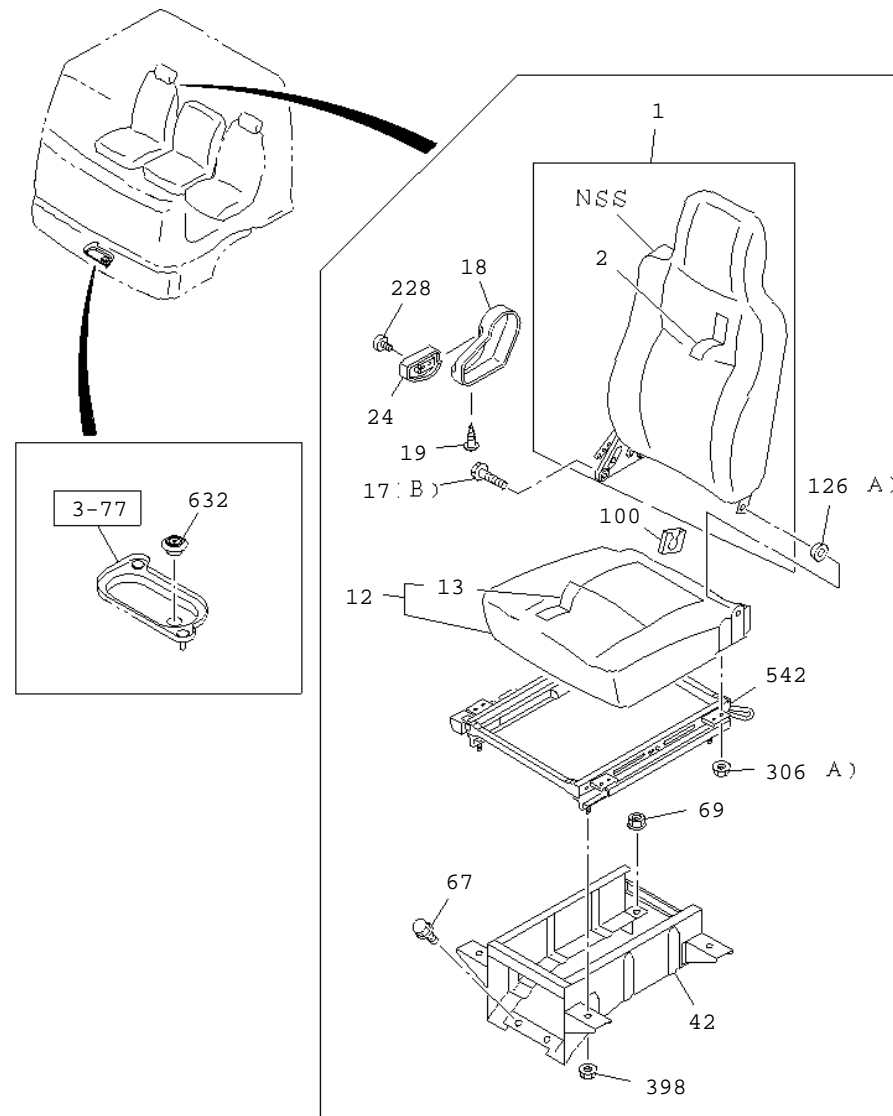
CONSOLE BOX

KEY	R / C	PART NAME PART NUMBER	I T C	APPLIED DATE	Qty	APPLIED MODEL	RESTRICTION/REMARKS
							A FVR WIDE CAB(FGR5MV) B GVR WIDE CAB(GGR5MV)
43		SCREW; BRKT, PARCEL BOX 8-94279-201-0		1312-	02	A	M6X19.5 W/LK&PL WASHER
100		RUBBER; CONSOLE, FRT 1-72538-161-3		1312-1402	01	A	
		1-72538-161-3		1403-	01	AB	
190		BRACKET; PARCEL BOX, SEAT SIDE 8-98059-836-0		1312-	01	A	
242		TRAY ASM; CTR CONSOLE 8-97407-950-1		1312-	01	A	GRAY
292		RETAINER; COVER 1-72538-162-1		1403-	01	AB	
306		SCREW; TRAY 0-38050-616-0		1312-	04	A	M6X16 IDN
307		COVER; HOLE, CTR CONSOLE 8-97407-951-0		1312-	04	A	GRAY
315		COVER; HOLE, SW 8-97409-339-0		1312-	01	A	GRAY
316		BOX; COIN 8-94482-280-2		1312-	02	A	
6-70		Move to 6-70					
6-76		Move to 6-76					
7-40		Move to 7-40					

11566 FVR/GVR (INDONESIA) 2014-

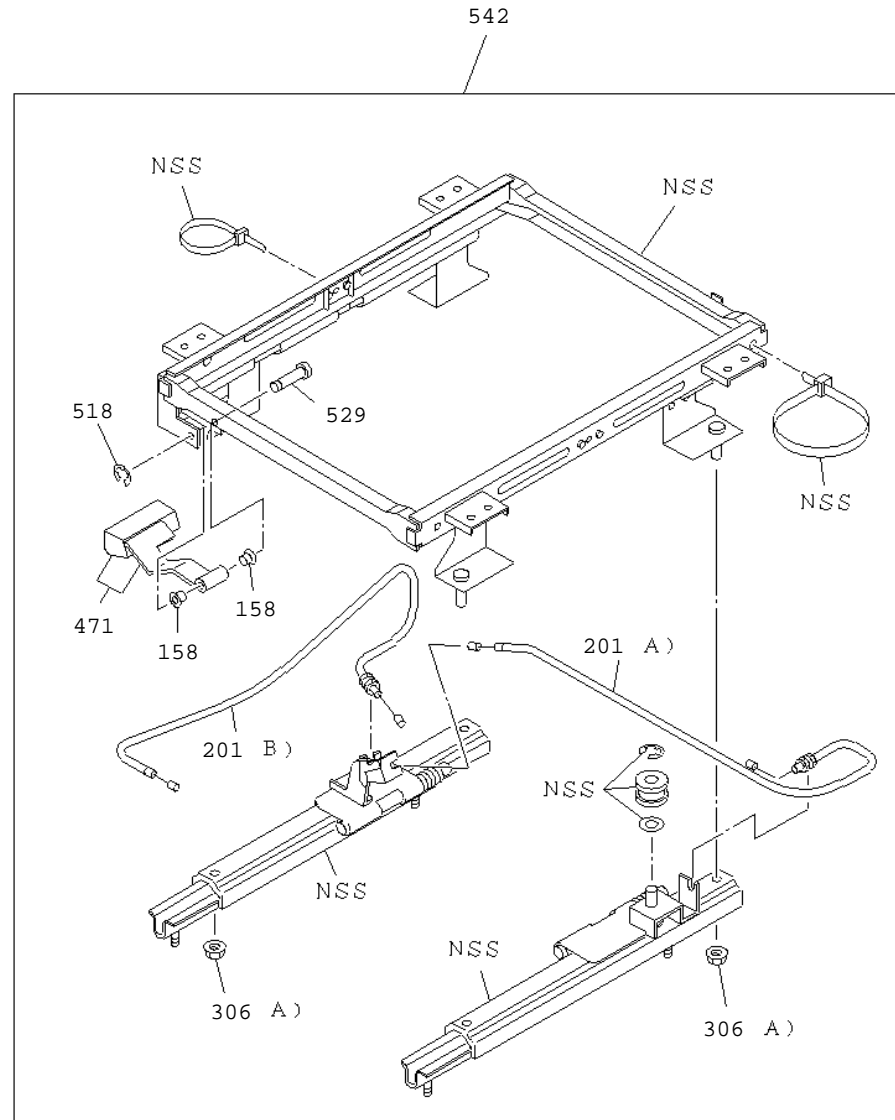
7-50 FRONT SEAT

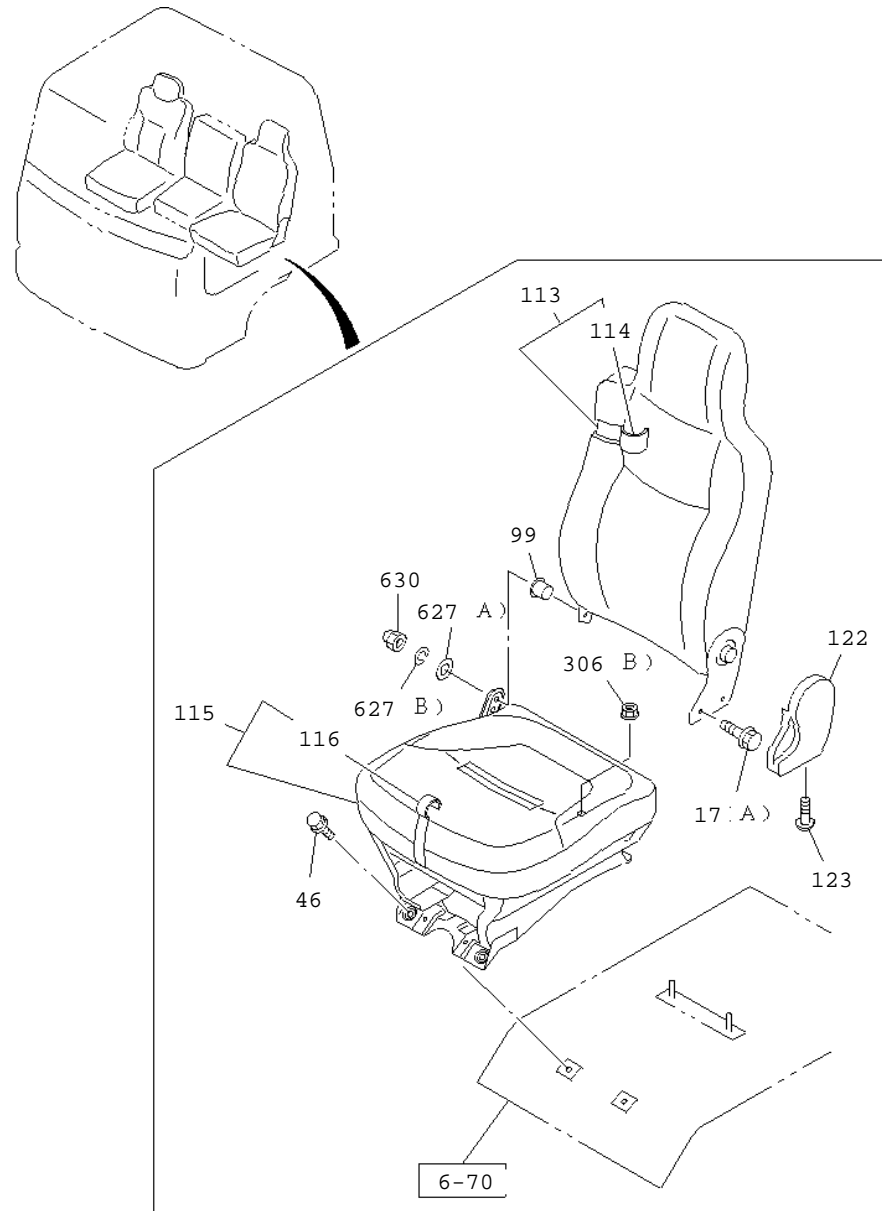
DRIVER NO.1

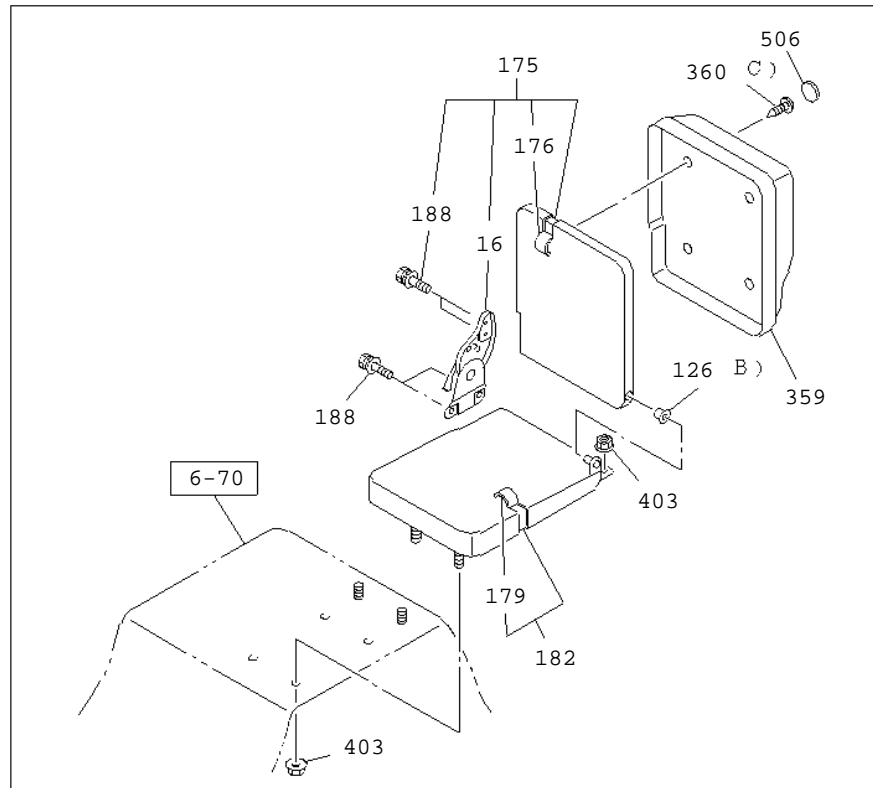
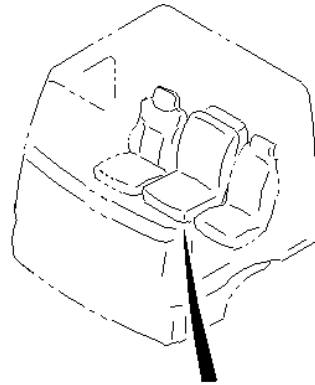


7-50 FRONT SEAT

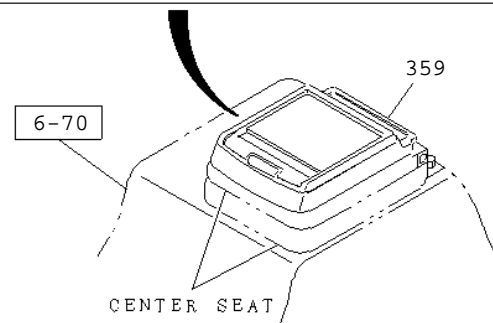
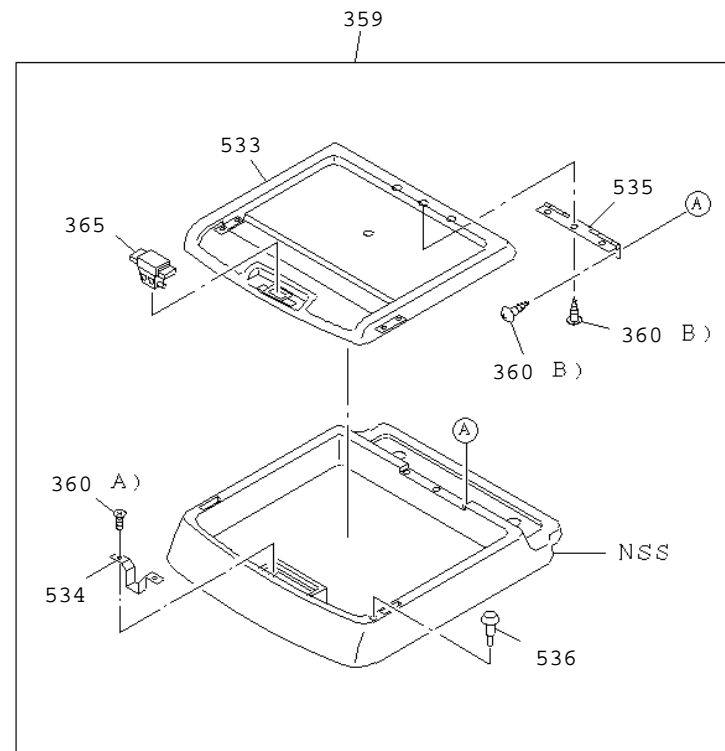
DRIVER NO.2







7-50 FRONT SEAT
COMPONENT PARCEL BOX



7-50

FRONT SEAT

KEY	R / C	PART NAME PART NUMBER	I T C	APPLIED DATE	Qty	APPLIED MODEL	RESTRICTION/REMARKS	
							A FVR WIDE CAB (FGR5MV)	B GVR WIDE CAB (GGR5MV)
1		BACK ASM; SEAT 8-97409-955-5		1312-1402	01	A		
		8-97409-955-5		1403-	01	AB	DARK GRAY IDN	
2		COVER; TRIM, FRT SEAT, BACK 8-97411-910-2		1312-1402	01	A		
		8-97411-910-2		1403-	01	AB	DARK GRAY IDN	
12		CUSHION; SEAT, FRT 8-97409-954-1		1312-1402	01	A		
		8-97409-954-1		1403-	01	AB	DARK GRAY	
13		COVER; TRIM, FRT SEAT, CUSHION 8-97411-909-0		1312-1402	01	A		
		8-97411-909-0		1403-	01	AB	DARK GRAY	
16		ADJUSTER ASM; RECLINING 1-75418-062-1		1312-1402	01	A		
		1-75418-062-1		1403-	01	AB		
17		BOLT; RECLINING 8-98062-661-0		1312-1402	02	A		
		8-98062-661-0		1403-	02	AB	(B) M10X20	
		8-98092-334-0		1312-1402	02	A	(B) M10X20	
		8-98092-334-0		1403-	02	AB	(A)	
18		COVER; RECLINING 8-97409-332-0		1312-1402	01	A		
		8-97409-332-0		1403-	01	AB	GRAY	
19		SCREW; COVER 8-98062-663-0		1312-1402	01	A		
		8-98062-663-0		1403-	01	AB	GRAY	
24		KNOB; RECLINING, FRT, SEAT					M5	

7-50

FRONT SEAT

KEY	R / C	PART NAME PART NUMBER	I T C	APPLIED DATE	Qty	APPLIED MODEL	RESTRICTION/REMARKS
							A FVR WIDE CAB(FGR5MV) B GVR WIDE CAB(GGR5MV)
24		8-97409-333-0		1312-1402	01	A	
		8-97409-333-0		1403-	01	AB	GRAY
42		STAND; DRIVER SEAT 1-75558-604-1		1312-1402	01	A	
		1-75558-604-1		1403-	01	AB	GRAY
46		BOLT; STAND TO FLOOR 0-28451-020-0		1312-1402	02	A	
		0-28451-020-0		1403-	02	AB	M10X20 FLANGE
67		BOLT; FRT SEAT TO BODY 0-28451-020-0		1312-1402	02	A	
		0-28451-020-0		1403-	02	AB	M10X20 FLANGE
69		NUT; FRT SEAT 0-91180-110-0		1312-1402	02	A	
		0-91180-110-0		1403-	02	AB	M10 FLANGE
99		BUSHING; SEAT BACK 8-98112-751-0		1312-1402	01	A	
		8-98112-751-0		1403-	01	AB	M10 FLANGE
100		COVER; HINGE 8-98203-070-0		1312-1402	01	A	
		8-98203-070-0		1403-	01	AB	
113		BACK ASM; SEAT 8-97409-966-1		1312-1402	01	A	
		8-97409-966-1		1403-	01	AB	DARK GRAY
114		COVER; TRIM,PASSENGER SEAT,BACK 8-97411-916-0		1312-1402	01	A	
		8-97411-916-0		1403-	01	AB	DARK GRAY
115		CUSHION ASM; PASSENGER SEAT 8-97409-965-0		1312-1402	01	A	
		8-97409-965-0		1403-	01	AB	DARK GRAY
116		COVER; TRIM,PASSENGER SEAT,CUSHION 8-97411-915-0		1312-1402	01	A	
		8-97411-915-0		1403-	01	AB	DARK GRAY

7-50

FRONT SEAT

KEY	R / C	PART NAME PART NUMBER	I T C	APPLIED DATE	Qty	APPLIED MODEL	RESTRICTION/REMARKS	
							A FVR WIDE CAB (FGR5MV)	B GVR WIDE CAB (GGR5MV)
122		COVER; ADJ, RECLINING 8-97409-967-0		1312-1402	01	A		
		8-97409-967-0		1403-	01	AB	GRAY	
123		SCREW; COVER, RECLINING 8-98070-026-0		1312-1402	01	A		
		8-98070-026-0		1403-	01	AB	GRAY	
126		BUSHING; HINGE, RECLINING 8-97854-900-0		1312-1402	01	A		
		8-97854-900-0		1403-	01	AB	(B)	
		8-98063-218-0		1312-1402	01	A	(B)	
		8-98063-218-0		1403-	01	AB	(A)	
158		BUSHING; LINK ARM 1-75518-209-0		1312-1402	02	A		
		1-75518-209-0		1403-	02	AB	IDN	
175		BACK ASM; PASSENGER CENTER SEAT 8-97409-975-1		1312-1402	01	A		
		8-97409-975-1		1403-	01	AB	DARK GRAY	
176		COVER; TRIM, PASSENGER SEAT CENTER, BACK 8-97409-976-1		1312-1402	01	A		
		8-97409-976-1		1403-	01	AB	DARK GRAY	
179		COVER; TRIM, PASSENGER SEAT CENTER, CUSH 8-97409-974-0		1312-1402	01	A		
		8-97409-974-0		1403-	01	AB	DARK GRAY	
182		CUSHION ASM; CENTER SEAT 8-97409-973-2		1312-1402	01	A		
		8-97409-973-2		1403-	01	AB	DARK GRAY	
188		BOLT; BACK TO CUSHION 1-75198-053-0		1312-1402	04	A		
		1-75198-053-0		1403-	04	AB	M10X16 FLANGE	
201		CABLE; ADJ						M10X16 FLANGE

7-50

FRONT SEAT

KEY	R / C	PART NAME PART NUMBER	I T C	APPLIED DATE	Qty	APPLIED MODEL	RESTRICTION/REMARKS
							A FVR WIDE CAB(FGR5MV) B GVR WIDE CAB(GGR5MV)
201		1-75518-288-0		1312-1402	01	A	(A) L=667 IDN
		1-75518-288-0		1403-	01	AB	(A) L=667 IDN
		1-75518-289-1		1312-1402	01	A	(B) L=605 IDN
		1-75518-289-1		1403-	01	AB	(B) L=605 IDN
228		SCREW; KNOB 8-98062-662-0		1312-1402	01	A	M4
		8-98062-662-0		1403-	01	AB	M4
306		NUT; SEAT ADJ 0-91180-110-0		1312-1402	02	A	(B) M10 FLANGE
		0-91180-110-0		1403-	02	AB	(B) M10 FLANGE
		1-75538-207-0		1312-1402	08	A	(A) M8 FLANGE
		1-75538-207-0		1403-	08	AB	(A) M8 FLANGE
359		BOX; PARCEL 8-97417-261-0		1312-1402	01	A	GRAY
		8-97417-261-0		1403-	01	AB	GRAY
360		SCREW; PARCEL 0-70040-416-0		1312-1402	06	A	(B) M4X16
		0-70040-416-0		1403-	06	AB	(B) M4X16

7-50

FRONT SEAT

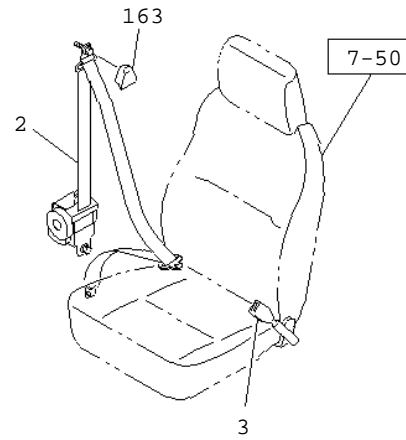
KEY	R / C	PART NAME PART NUMBER	I T C	APPLIED DATE	Qty	APPLIED MODEL	RESTRICTION/REMARKS
							A FVR WIDE CAB(FGR5MV) B GVR WIDE CAB(GGR5MV)
360		0-70040-514-0		1312-1402	02	A	(A) M5X14 TAPPING CK-HEAD
		0-70040-514-0		1403-	02	AB	(A) M5X14 TAPPING CK-HEAD
		8-98062-663-0		1312-1402	04	A	(C) M5
		8-98062-663-0		1403-	04	AB	(C) M5
365		LOCK ASM; SEAT 1-72538-312-0		1312-1402	01	A	
		1-72538-312-0		1403-	01	AB	
398		NUT; STAND 1-75538-207-0		1312-1402	04	A	M8 FLANGE
		1-75538-207-0		1403-	04	AB	M8 FLANGE
403		NUT; CENTER SEAT 0-91180-108-0		1312-1402	04	A	M8 FLANGE
		0-91180-108-0		1403-	04	AB	M8 FLANGE
471		LEVER; SEAT ADJ 8-98107-869-0		1312-1402	01	A	
		8-98107-869-0		1403-	01	AB	
506		CAP; PARCEL BOX 8-97409-980-1		1312-1402	02	A	GRAY
		8-97409-980-1		1403-	02	AB	GRAY
518		NUT; TILT ADJ 1-75518-263-0		1312-1402	01	A	IDN
		1-75518-263-0		1403-	01	AB	IDN
529		PIN; LINK 1-75518-262-0		1312-1402	01	A	IDN
		1-75518-262-0		1403-	01	AB	IDN
533		LID; PARCEL BOX 8-97417-263-0		1312-1402	01	A	GRAY
		8-97417-263-0		1403-	01	AB	GRAY

7-50

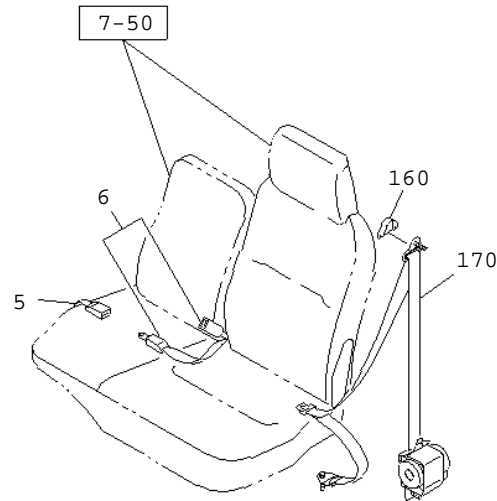
FRONT SEAT

KEY	R / C	PART NAME PART NUMBER	I T C	APPLIED DATE	Qty	APPLIED MODEL	RESTRICTION/REMARKS	
							A FVR WIDE CAB(FGR5MV)	B GVR WIDE CAB(GGR5MV)
534		STRIKER; PARCEL BOX 1-72538-190-0		1312-1402	01	A		
		1-72538-190-0		1403-	01	AB		
535		HINGE; PARCEL BOX 1-72447-391-1		1312-1402	01	A		
		1-72447-391-1		1403-	01	AB		
536		RUBBER; CUSHION 1-72538-187-0		1312-1402	02	A		
		1-72538-187-0		1403-	02	AB		
542		ADJUSTER ASM; SEAT SLIDE 8-98093-310-0		1312-1402	01	A		
		8-98093-310-0		1403-	01	AB		
627		WASHER; FRT SEAT 8-98063-223-0		1312-1402	01	A		
		8-98063-223-0		1403-	01	AB	(A)	
		8-98063-224-0		1312-1402	01	A	(A)	
		8-98063-224-0		1403-	01	AB	(B)	
630		NUT; CAP 8-98063-225-0		1312-1402	01	A		
		8-98063-225-0		1403-	01	AB	M8	
632		GROMMET 8-94119-796-0		1312-1402	01	A		
		8-94119-796-0		1403-	01	AB	M8	
3-77		Move to 3-77					OD=24	
6-70		Move to 6-70					OD=24	

DRIVER



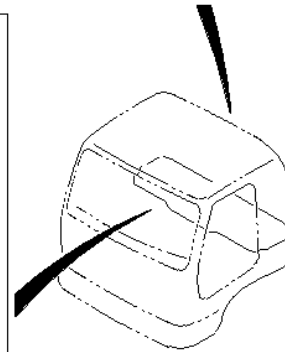
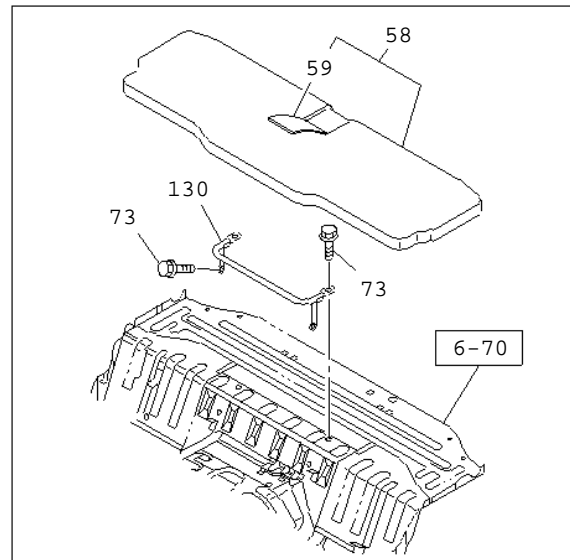
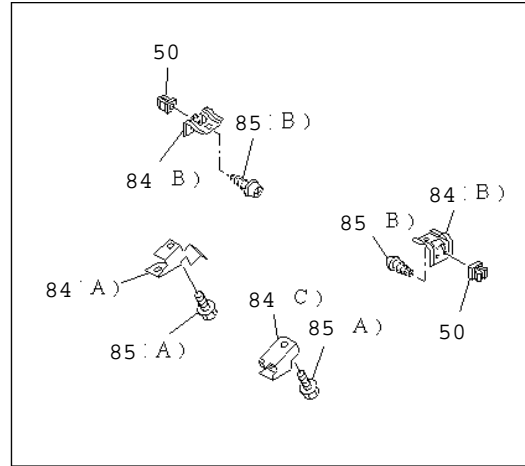
PASSENGER AND CENTER



7-60

SEAT BELT

KEY	R / C	PART NAME PART NUMBER	I T C	APPLIED DATE	Qty	APPLIED MODEL	RESTRICTION/REMARKS
							A FVR WIDE CAB(FGR5MV) B GVR WIDE CAB(GGR5MV)
2		BELT; SEAT,TONGUE SIDE 8-97423-516-1		1312-1402	01	A	
		8-97423-516-1		1403-	01	AB	GRAY
3		BELT; SEAT,BUCKLE SIDE 8-97407-375-4		1312-1402	01	A	GRAY IDN
		8-97407-375-4		1403-	01	AB	GRAY IDN
5		BELT; CENTER SEAT,BUCKLE SIDE 8-97407-377-1		1312-1402	01	A	GRAY IDN
		8-97407-377-1		1403-	01	AB	GRAY IDN
6		BELT; CENTER SEAT,TONGUE SIDE 8-97423-515-1		1312-1402	01	A	GRAY
		8-97423-515-1		1403-	01	AB	GRAY
160		COVER; THROUGH ANCHOR 8-97405-991-0		1312-1402	01	A	GRAY IDN
		8-97405-991-0		1403-	01	AB	GRAY IDN
163		COVER; ADJUSTER 8-97405-991-0		1312-1402	01	A	GRAY IDN
		8-97405-991-0		1403-	01	AB	GRAY IDN
170		BELT; PASSENGER SEAT,TONGUE SIDE 8-97423-516-1		1312-1402	01	A	GRAY
		8-97423-516-1		1403-	01	AB	GRAY
7-50		Move to 7-50					



7-70

SEPARATER AND BED

KEY	R / C	PART NAME PART NUMBER	I T C	APPLIED DATE	Qty	APPLIED MODEL	RESTRICTION/REMARKS
							A FVR WIDE CAB (FGR5MV) B GVR WIDE CAB (GGR5MV)
50		GROMMET; SCREW, CURTAIN RAIL 8-94279-078-0		1312-1402	02	A	
		8-94279-078-0		1403-	02	AB	D=8.6X7.7 L=7.5 IDN
58		BED; MAT 8-97409-894-1		1312-1402	01	A	
		8-97409-894-1		1403-	01	AB	D=8.6X7.7 L=7.5 IDN DARK GRAY IDN
59		COVER ASM; TRIM, BED MAT 8-97414-135-0		1312-1402	01	A	
		8-97414-135-0		1403-	01	AB	DARK GRAY IDN
73		BOLT; GUARD PIPE 0-28450-820-0		1312-1402	04	A	
		0-28450-820-0		1403-	04	AB	DARK GRAY DARK GRAY M8X20 FLANGE
84		BRACKET; CURTAIN RAIL 8-98042-152-0		1312-1402	02	A	
		8-98042-152-0		1403-	02	AB	(B)
		8-98049-290-1		1312-1402	01	A	(B)
		8-98049-290-1		1403-	01	AB	(A)
		8-98074-740-0		1312-1402	01	A	(A)
		8-98074-740-0		1403-	01	AB	(C)
85		SCREW; BRKT 5-09981-059-0		1312-1402	02	A	(C)
		5-09981-059-0		1403-	02	AB	(B) M5X20
		8-97108-669-0		1312-1402	02	A	(B) M5X20 (A) M6X12 FLANGE

7-70

SEPARATER AND BED

KEY	R / C	PART NAME PART NUMBER	I T C	APPLIED DATE	Qty	APPLIED MODEL	RESTRICTION/REMARKS
							A FVR WIDE CAB(FGR5MV) B GVR WIDE CAB(GGR5MV)
85		8-97108-669-0		1403-	02	AB	
130		PIPE; GUARD,BED 8-98014-968-0		1312-1402	01	A	(A) M6X12 FLANGE
6-70		8-98014-968-0 Move to 6-70		1403-	01	AB	

11566 FVR/GVR(INDONESIA) 2014-