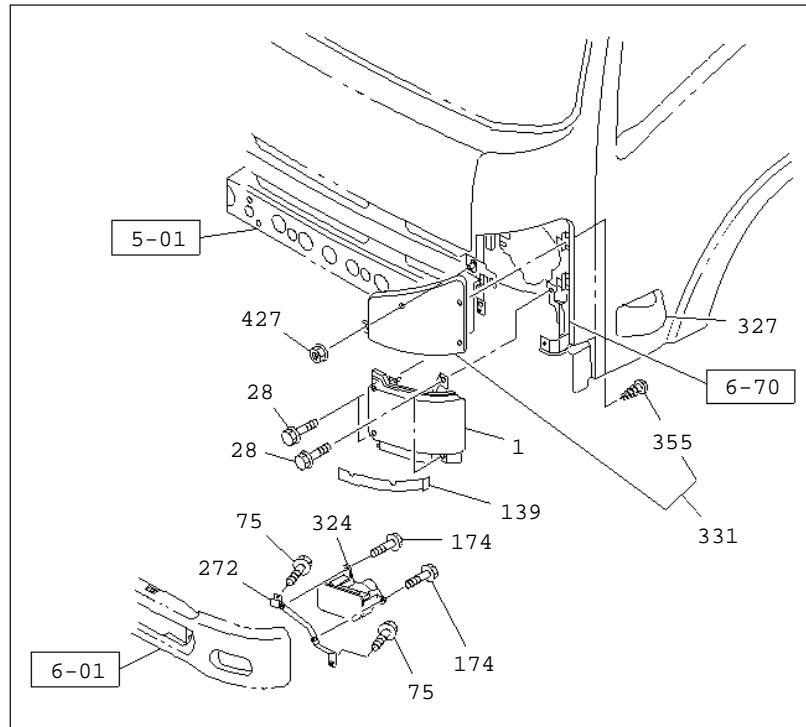
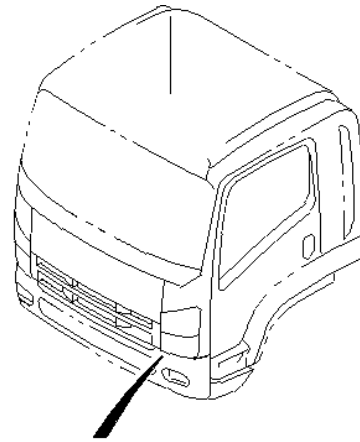


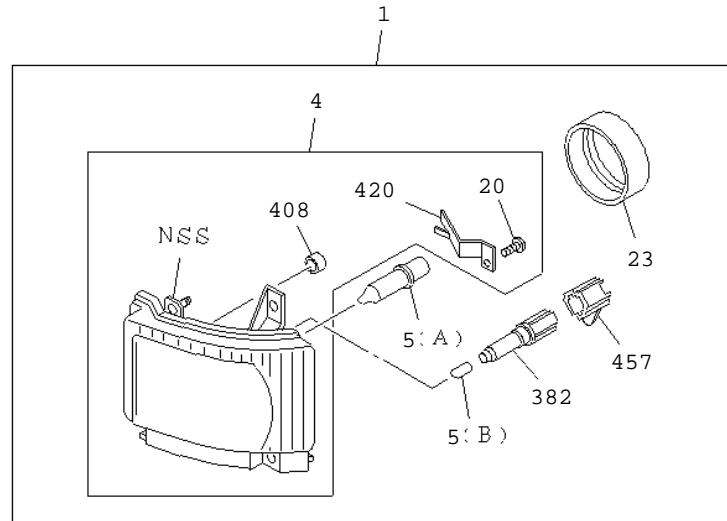
8-01 LAMP; FRONT AND FRONT SIDE
FIXING; FRONT LAMP



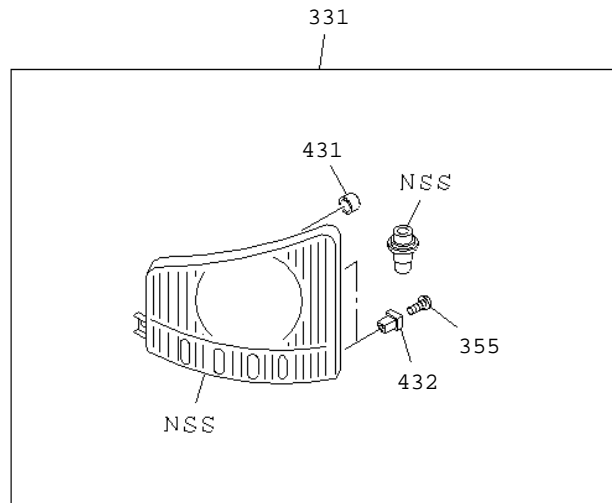
8-01 LAMP; FRONT AND FRONT SIDE

COMPONENT; HEADLAMP, TURN SIGNAL LAMP

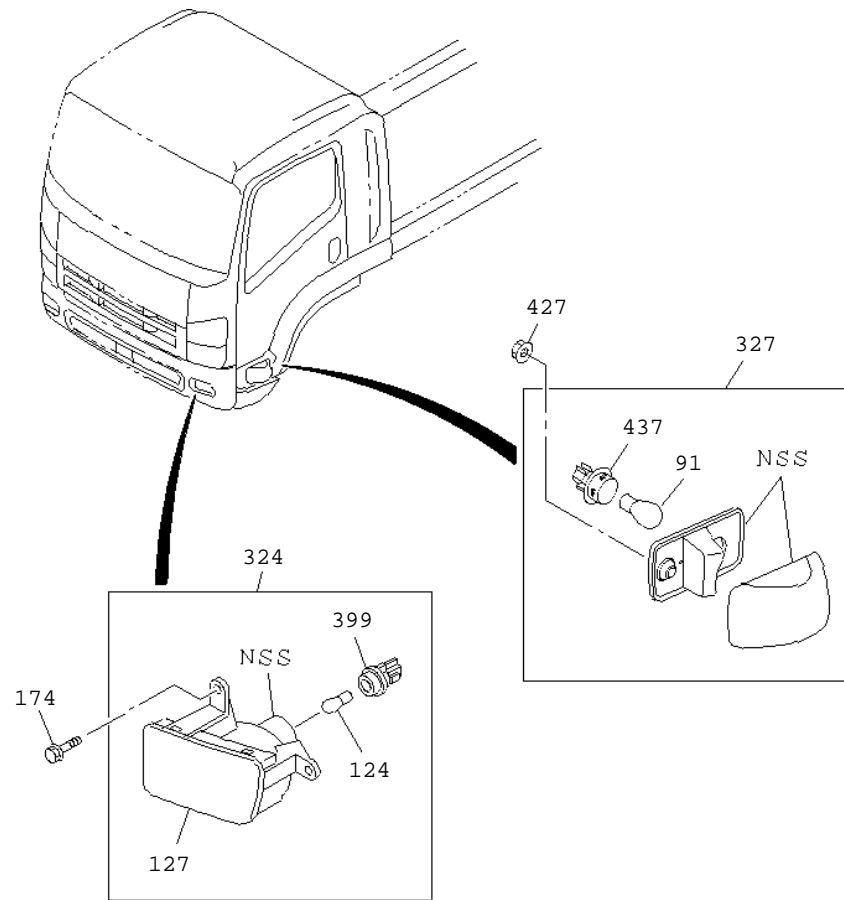
HEADLAMPS



TURN SIGNAL LAMP



8-01 LAMP; FRONT AND FRONT SIDE
FLASHER AND SIDE LAMP



8-01

LAMP; FRONT AND FRONT SIDE

KEY	R / C	PART NAME PART NUMBER	I T C	APPLIED DATE	L / R	Qty	APPLIED MODEL	RESTRICTION/REMARKS
								A FVR WIDE CAB(FGR5MV) B GVR WIDE CAB(GGR5MV)
1	B	LAMP ASM; HEAD						
		8-97948-524-0		1402-1402	R	01	A	VIN MODEL YEAR 2014<VZE> IDN
		8-97948-524-0		1403-	R	01	AB	VIN MODEL YEAR 2014<VZE> IDN
		8-97948-525-0		1402-1402	L	01	A	VIN MODEL YEAR 2014<VZE> IDN
		8-97948-525-0		1403-	L	01	AB	VIN MODEL YEAR 2014<VZE> IDN
		8-98241-326-0		1312-1401	L	01	A	IDN
		8-98241-326-0		1402-1402	L	01	A	EXC. VIN MODEL YEAR 2014<VZE> IDN
		8-98241-326-0		1403-	L	01	AB	EXC. VIN MODEL YEAR 2014<VZE> IDN
		8-98241-325-0		1312-1401	R	01	A	IDN
		8-98241-325-0		1402-1402	R	01	A	EXC. VIN MODEL YEAR 2014<VZE> IDN
8-98241-325-0		1403-	R	01	AB	EXC. VIN MODEL YEAR 2014<VZE> IDN		
4		HEADLAMP UNIT						
		8-97948-942-0		1402-1402	R	01	A	VIN MODEL YEAR 2014<VZE> IDN
		8-97948-942-0		1403-	R	01	AB	VIN MODEL YEAR 2014<VZE> IDN
		8-97948-943-0		1402-1402	L	01	A	VIN MODEL YEAR 2014<VZE> IDN
		8-97948-943-0		1403-	L	01	AB	VIN MODEL YEAR 2014<VZE> IDN
		8-98226-183-0		1312-1401	L	01	A	IDN
		8-98226-183-0		1402-1402	L	01	A	EXC. VIN MODEL YEAR 2014<VZE> IDN
		8-98226-183-0		1403-	L	01	AB	EXC. VIN MODEL YEAR 2014<VZE> IDN
		8-98226-182-0		1312-1401	R	01	A	IDN
		8-98226-182-0		1402-1402	R	01	A	EXC. VIN MODEL YEAR 2014<VZE> IDN
8-98226-182-0		1403-	R	01	AB	EXC. VIN MODEL YEAR 2014<VZE> IDN		
5	A	BULB; HEADLAMP 1-82194-042-0		1312-1402		02	A	(B) 24V 5W

11566 FVR/GVR (INDONESIA) 2014-

8-01

LAMP; FRONT AND FRONT SIDE

KEY	R / C	PART NAME PART NUMBER	I T C	APPLIED DATE	L / R	Qty	APPLIED MODEL	RESTRICTION/REMARKS
								A FVR WIDE CAB(FGR5MV) B GVR WIDE CAB(GGR5MV)
5		1-82194-042-0		1403-		02	AB	(B) 24V 5W
		1-82194-063-0		1312-1402		02	A	(A) 24V 75/70W IDN
		1-82194-063-0		1403-		02	AB	(A) 24V 75/70W IDN
20		SCREW; HEADLAMP 8-97378-871-0		1312-1402		06	A	IDN
		8-97378-871-0		1403-		06	AB	IDN
23		COVER; BULB, HEADLAMP 8-97232-491-0		1312-1402		02	A	IDN
		8-97232-491-0		1403-		02	AB	IDN
28		BOLT; HEADLAMP 8-98164-723-0		1312-1402		08	A	M6X23.5 W/LK&PL WASHER
		8-98164-723-0		1403-		08	AB	M6X23.5 W/LK&PL WASHER
75		SCREW; FRT COMB LAMP 0-28050-612-0		1312-1402		04	A	BOLT M6X12 FLANGE
		0-28050-612-0		1403-		04	AB	BOLT M6X12 FLANGE
91		BULB; SIDE TURN SIGNAL 8-98051-495-0		1312-1402		02	A	24V 21W IDN
		8-98051-495-0		1403-		02	AB	24V 21W IDN
124		BULB; FRT TURN SIGNAL 1-82194-105-0		1312-1402		02	A	24V 21W
		1-82194-105-0		1403-		02	AB	24V 21W
127	B	LENS; FRT TURN SIGNAL 1-82215-074-0		1312-1402	L	01	A	ORANGE

11566 FVR/GVR (INDONESIA) 2014-

8-01

LAMP; FRONT AND FRONT SIDE

KEY	R / C	PART NAME PART NUMBER	I T C	APPLIED DATE	L / R	Qty	APPLIED MODEL	RESTRICTION/REMARKS	
								A FVR WIDE CAB(FGR5MV)	B GVR WIDE CAB(GGR5MV)
127		1-82215-074-0		1403-	L	01	AB		
		1-82215-073-0		1312-1402	R	01	A	ORANGE	
		1-82215-073-0		1403-	R	01	AB	ORANGE	
139		COVER; HEADLAMP						ORANGE	
		8-98054-342-0		1312-1402		02	A		
		8-98054-342-0		1403-		02	AB		
174		BOLT							
		8-97360-226-0		1312-1402		04	A		
		8-97360-226-0		1403-		04	AB	M6X19.5 W/LK&PL WASHER IDN	
272		BRACKET; FRT COMB LAMP							
		8-98178-034-1		1312-1402	L	01	A		
		8-98178-034-1		1403-	L	01	AB	IDN	
		8-98178-033-1		1312-1402	R	01	A	IDN	
		8-98178-033-1		1403-	R	01	AB	IDN	
324	B	LAMP; FRT FLASHER							
		1-82210-260-1		1312-1402	L	01	A		
		1-82210-260-1		1403-	L	01	AB		
		1-82210-259-1		1312-1402	R	01	A		
		1-82210-259-1		1403-	R	01	AB		
327	B	LAMP ASM; SIDE TURN SIGNAL							
		8-97410-181-3		1312-1402	L	01	A		
		8-97410-181-3		1403-	L	01	AB	IDN	
		8-97410-180-4		1312-1402	R	01	A	IDN	
		8-97410-180-4		1403-	R	01	AB	IDN	
331		LAMP; TURN SIGNAL							
		8-98181-879-0		1312-1402	L	01	A		
		8-98181-879-0		1403-	L	01	AB		
		8-98181-878-0		1312-1402	R	01	A		
		8-98181-878-0		1403-	R	01	AB		
355		SCREW; TURN SIGNAL							
		8-98051-428-0		1312-1402		04	A	IDN	

8-01

LAMP; FRONT AND FRONT SIDE

KEY	R / C	PART NAME PART NUMBER	I T C	APPLIED DATE	L / R	Qty	APPLIED MODEL	RESTRICTION/REMARKS	
								A FVR WIDE CAB(FGR5MV)	B GVR WIDE CAB(GGR5MV)
355		8-98051-428-0		1403-		04	AB		
382		PLUG; SOCKET, HEADLAMP 8-98225-685-0		1312-1402		02	A	IDN	
		8-98225-685-0		1403-		02	AB	IDN	
399		SOCKET; TURN SIGNAL 1-82219-038-0		1312-1402		02	A	IDN	
		1-82219-038-0		1403-		02	AB	IDN	
408		CAP; BREATHER, HEADLAMP 8-97378-874-0		1312-1402		02	A	IDN	
		8-97378-874-0		1403-		02	AB	IDN	
420		SPRING; BULB, HEADLAMP 8-98218-601-0		1312-1402		02	A	IDN	
		8-98218-601-0		1403-		02	AB	IDN	
427		NUT; TURN SIGNAL LAMP 0-91180-106-0		1312-1402		04	A	M6 FLANGE	
		0-91180-106-0		1403-		04	AB	M6 FLANGE	
431		CAP; TURN SIGNAL, LAMP 8-97378-874-0		1312-1402		02	A	IDN	
		8-97378-874-0		1403-		02	AB	IDN	
432		FASTENER; TURN SIGNAL, LAMP 8-98051-431-0		1312-1402		04	A	IDN	
		8-98051-431-0		1403-		04	AB	IDN	
437		SOCKET; SIDE, TURN 8-98051-390-0		1312-1402		02	A	IDN	
		8-98051-390-0		1403-		02	AB	IDN	
457		GRIP; HEADLAMP 8-98241-354-0		1312-1402		02	A	IDN	
		8-98241-354-0		1403-		02	AB	IDN	
5-01		Move to 5-01							
6-01		Move to 6-01							
6-70		Move to 6-70							

8-03

LAMP; REAR AND REAR SIDE

KEY	R / C	PART NAME PART NUMBER	I T C	APPLIED DATE	L / R	Qty	APPLIED MODEL	RESTRICTION/REMARKS
								A FVR WIDE CAB(FGR5MV) B GVR WIDE CAB(GGR5MV)
1	B	LAMP ASM; RR COMB 8-98034-325-0		1312-1402	L	01	A	
		8-98034-325-0		1403-	L	01	AB	IDN
		8-98034-324-0		1312-1402	R	01	A	IDN
		8-98034-324-0		1403-	R	01	AB	IDN
3		GASKET; RR COMB LAMP 8-94257-505-0		1312-1402		01	A	IDN
		8-94257-505-0		1312-1402		01	A	IDN
		8-94257-505-0		1403-		01	AB	IDN
		8-94257-505-0		1403-		01	AB	IDN
5		BULB; RR COMB LAMP 1-82194-108-0		1312-1402		02	A	(A) 24V 21W IDN
		1-82194-108-0		1312-1402		02	A	(A) 24V 21W IDN
		1-82194-108-0		1403-		02	AB	(A) 24V 21W IDN
		1-82194-108-0		1403-		02	AB	(A) 24V 21W IDN
		1-82194-109-0		1312-1402		01	A	(B) 24V 21/5W IDN
		1-82194-109-0		1312-1402		01	A	(B) 24V 21/5W IDN
		1-82194-109-0		1403-		01	AB	(B) 24V 21/5W IDN
		1-82194-109-0		1403-		01	AB	(B) 24V 21/5W IDN

8-03

LAMP; REAR AND REAR SIDE

KEY	R / C	PART NAME PART NUMBER	I T C	APPLIED DATE	L / R	Qty	APPLIED MODEL	RESTRICTION/REMARKS
								A FVR WIDE CAB(FGR5MV) B GVR WIDE CAB(GGR5MV)
5		1-82194-109-0		1403-		01	AB	(B) 24V 21/5W IDN
9		NUT; LAMP,RR COMB 0-91110-506-0		1312-1402		04	A	M6
		0-91110-506-0		1403-		04	AB	M6
13	B	LENS; TURN SIGNAL 8-94174-639-0		1312-1402	L	01	A	IDN
		8-94174-639-0		1403-	L	01	AB	IDN
		8-94174-638-0		1312-1402	R	01	A	IDN
		8-94174-638-0		1403-	R	01	AB	IDN
14	B	LENS; TAIL & STOP,RR COMB LAMP 8-94178-625-0		1312-1402	L	01	A	IDN
		8-94178-625-0		1403-	L	01	AB	IDN
		8-94178-624-0		1312-1402	R	01	A	IDN
		8-94178-624-0		1403-	R	01	AB	IDN
15		SCREW; RR COMB LAMP 0-71190-420-0		1312-1402		08	A	M4X20 TAPPING STAINLESS IDN
		0-71190-420-0		1312-1402		08	A	M4X20 TAPPING STAINLESS IDN
		0-71190-420-0		1403-		08	AB	M4X20 TAPPING STAINLESS IDN
		0-71190-420-0		1403-		08	AB	M4X20 TAPPING STAINLESS IDN
22	B	LENS; BACKUP,RR COMB LAMP 8-94257-512-1		1312-1402		01	A	IDN
		8-94257-512-1		1312-1402		01	A	IDN
		8-94257-512-1		1403-		01	AB	IDN

8-03

LAMP; REAR AND REAR SIDE

KEY	R / C	PART NAME PART NUMBER	I T C	APPLIED DATE	L / R	Qty	APPLIED MODEL	RESTRICTION/REMARKS
								A FVR WIDE CAB (FGR5MV) B GVR WIDE CAB (GGR5MV)
22		8-94257-512-1		1403-		01	AB	
24		GASKET; BACK,LAMP 8-94257-506-0		1312-1402		01	A	IDN
		8-94257-506-0		1312-1402		01	A	IDN
		8-94257-506-0		1403-		01	AB	IDN
		8-94257-506-0		1403-		01	AB	IDN
26		SCREW; BACK HORN 9-07076-414-0		1312-1402	L	01	A	M4X14 TAPPING IDN
		9-07076-414-0		1403-	L	01	AB	M4X14 TAPPING IDN
		9-07076-412-0		1312-1402	R	01	A	M4X12 TAPPING IDN
		9-07076-412-0		1403-	R	01	AB	M4X12 TAPPING IDN
28		GASKET; TURN,LAMP 8-94257-507-0		1312-1402		01	A	IDN
		8-94257-507-0		1312-1402		01	A	IDN
		8-94257-507-0		1403-		01	AB	IDN
		8-94257-507-0		1403-		01	AB	IDN
29		BRACKET; LAMP,RR COMB 1-53178-016-1		1403-		01	B	(B) IDN
		1-82237-050-1		1312-		02	A	(A)
36		BOLT; BRKT,RR COMB 0-28651-030-0		1403-		02	B	M10X30 FLANGE
		0-28650-825-0		1312-		02	A	M8X25 FLANGE IDN
37		COVER; RR COMB LAMP 8-94129-274-4		1312-1402	L	01	A	IDN

8-03

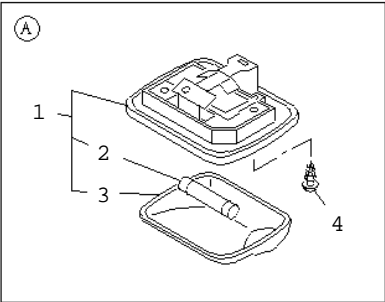
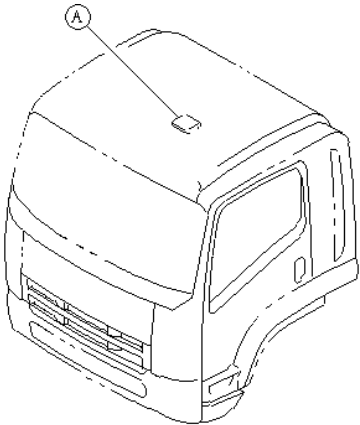
LAMP; REAR AND REAR SIDE

KEY	R / C	PART NAME PART NUMBER	I T C	APPLIED DATE	L / R	Qty	APPLIED MODEL	RESTRICTION/REMARKS
								A FVR WIDE CAB(FGR5MV) B GVR WIDE CAB(GGR5MV)
37		8-94129-274-4		1403-	L	01	AB	
		8-94128-858-4		1312-1402	R	01	A	IDN
		8-94128-858-4		1403-	R	01	AB	IDN
38		BOLT; LAMP,RR COMB 0-50640-630-0		1312-1402		04	A	
		0-50640-630-0		1403-		04	AB	M6X30 W/LK&PL WASHER
49		LAMP; LICENSE PLATE 1-82120-024-1		1312-1402		01	A	
		1-82120-024-1		1403-		01	AB	24V 10W
50		LENS; LICENSE PLATE LAMP 1-82235-006-0		1312-1402		01	A	
		1-82235-006-0		1403-		01	AB	24V 10W
51		BULB; LICENSE PLATE LAMP 1-82194-037-0		1312-1402		01	A	
		1-82194-037-0		1403-		01	AB	24V 10W IDN
52		GROMMET; SCREW,LICENSE PLATE LAMP 8-94275-946-0		1312-1402		02	A	
		8-94275-946-0		1403-		02	AB	D=7.8X7.8 L=18 M5 BLACK
53		GASKET; LICENSE LAMP 1-82126-005-0		1312-1402		01	A	
		1-82126-005-0		1403-		01	AB	D=7.8X7.8 L=18 M5 BLACK
54		SCREW; LICENSE PLATE LAMP 1-82129-007-0		1312-1402		02	A	
		1-82129-007-0		1403-		02	AB	M5X20
57		WASHER; PL,LICENSE PLATE LAMP 1-82129-008-0		1312-1402		02	A	
		1-82129-008-0		1403-		02	AB	M5X20
58		COVER; LICENSE PLATE LAMP 1-82129-005-0		1312-1402		01	A	
		1-82129-005-0		1403-		01	AB	
98		WASHER 0-91610-706-0		1312-1402		04	A	
								ID=6.4 OD=18

8-03

LAMP; REAR AND REAR SIDE

KEY	R / C	PART NAME PART NUMBER	I T C	APPLIED DATE	L / R	Qty	APPLIED MODEL	RESTRICTION/REMARKS
								A FVR WIDE CAB(FGR5MV) B GVR WIDE CAB(GGR5MV)
98		0-91610-706-0		1403-		04	AB	ID=6.4 OD=18
141		CLIP; LICENSE & BODY HARNESS 9-09917-427-0		1312-1402		03	A	ID=14 L=44
		9-09917-427-0		1403-		03	AB	ID=14 L=44
5-01		Move to 5-01						
6-90		Move to 6-90						
8-10		Move to 8-10						



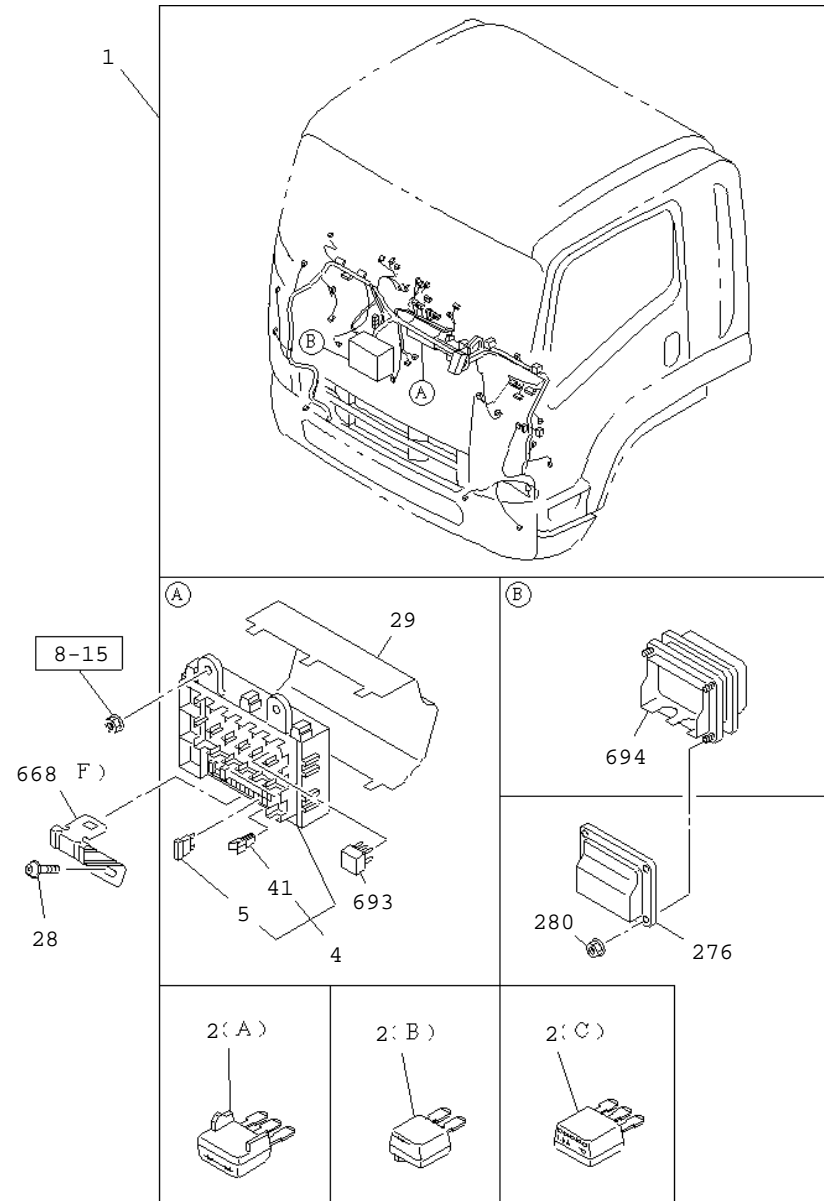
8-05

INTERIOR LAMP

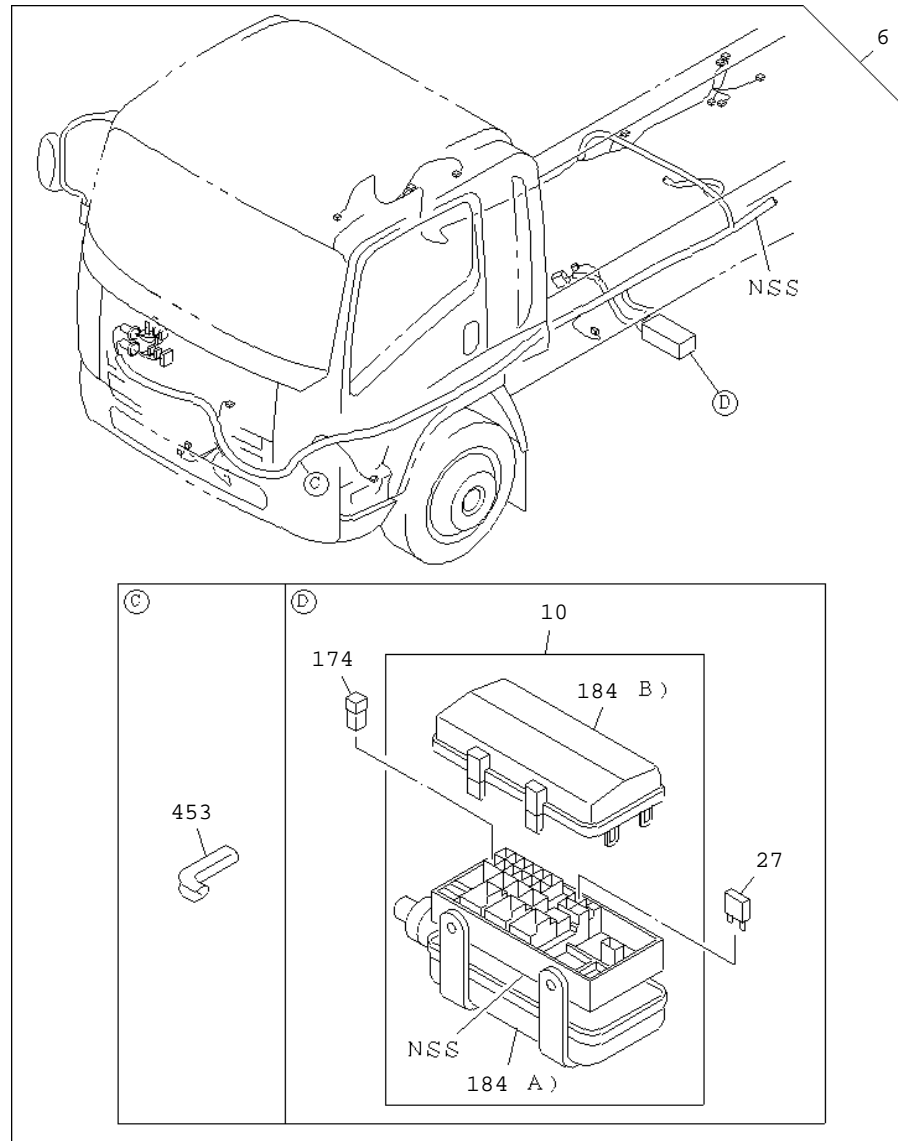
KEY	R / C	PART NAME PART NUMBER	I T C	APPLIED DATE	Qty	APPLIED MODEL	RESTRICTION/REMARKS
							A FVR WIDE CAB(FGR5MV) B GVR WIDE CAB(GGR5MV)
1		LAMP ASM; ROOM 8-97925-149-0		1312-1402	01	A	IDN
		8-97925-149-0		1403-	01	AB	
2		BULB; ROOM LAMP 8-97925-613-0		1312-1402	01	A	24V 10W IDN
		8-97925-613-0		1403-	01	AB	
3		LENS; ROOM LAMP 8-97925-612-0		1312-1402	01	A	IDN
		8-97925-612-0		1403-	01	AB	
4		SCREW; ROOM LAMP 8-98075-766-0		1312-1402	02	A	M5X14 W/WASHER IDN
		8-98075-766-0		1403-	02	AB	

11566 FVR/GVR (INDONESIA) 2014-

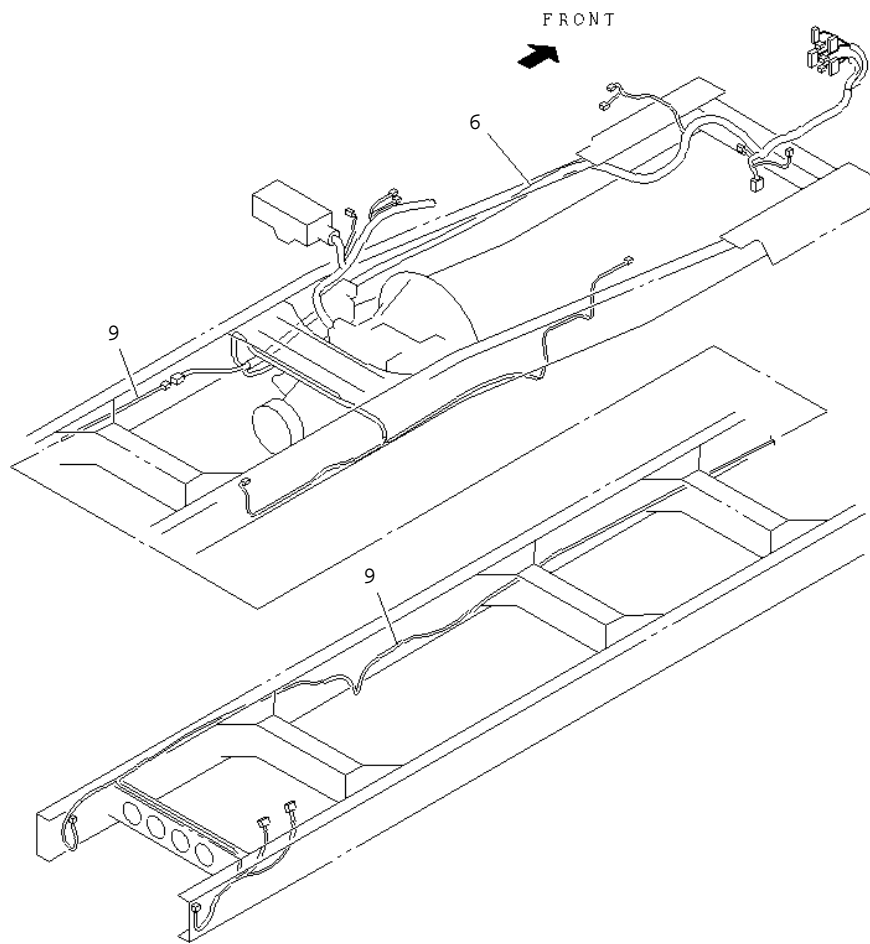
8-10 WIRING HARNESS AND FUSE
CAB HARNESS



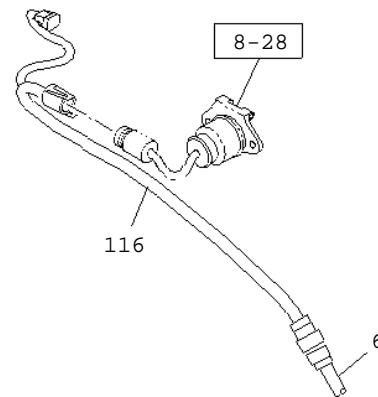
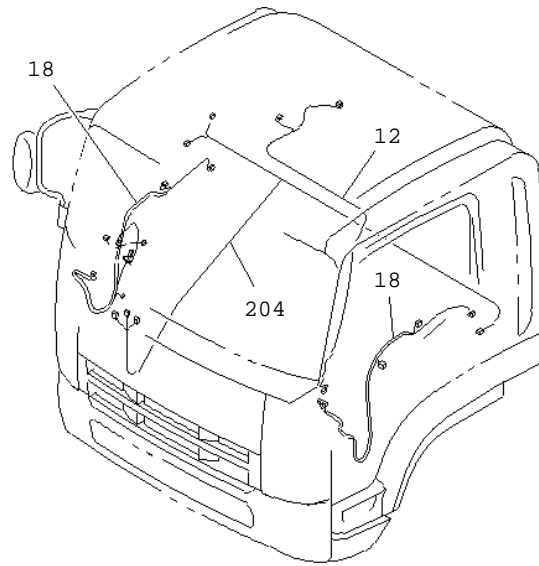
8-10 WIRING HARNESS AND FUSE
FRAME HARNESS NO.1



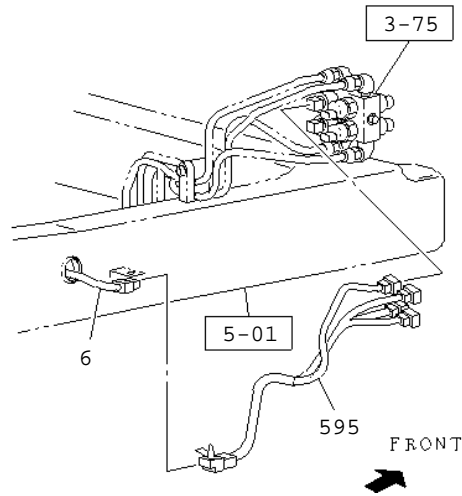
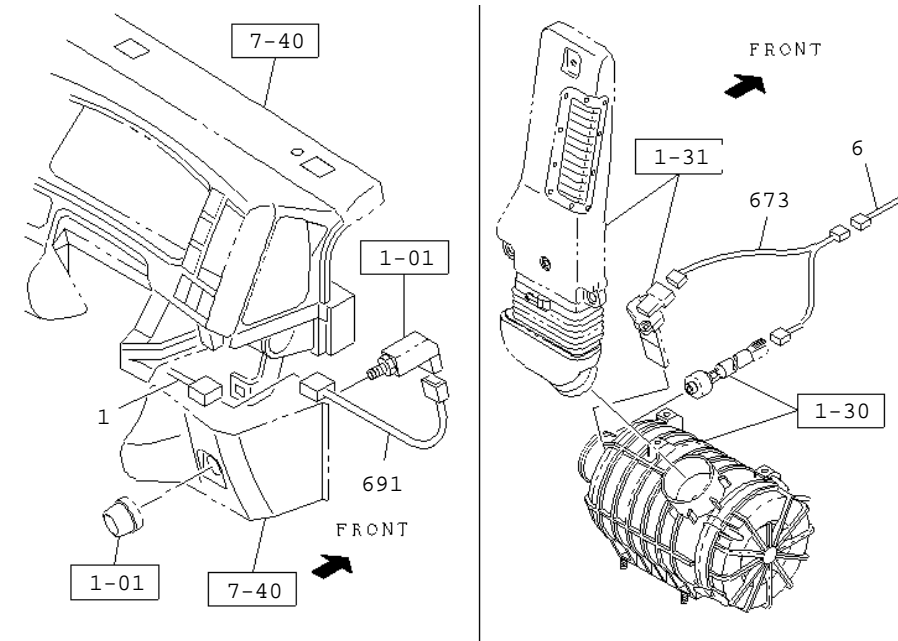
8-10 WIRING HARNESS AND FUSE
FRAME HARNESS NO.2



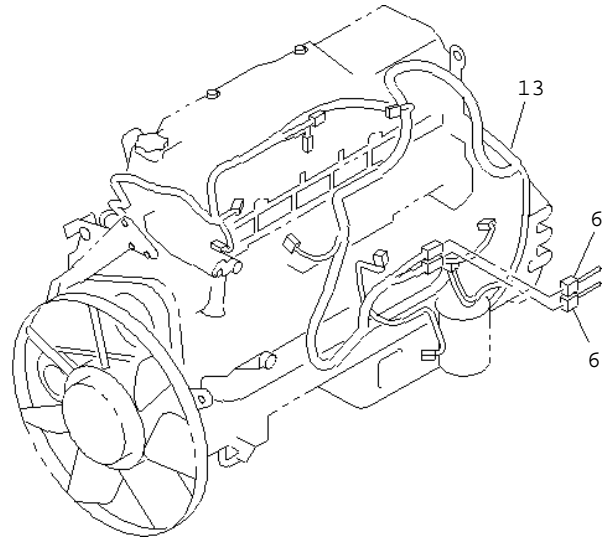
8-10 WIRING HARNESS AND FUSE
OTHER HARNESS NO.1



8-10 WIRING HARNESS AND FUSE
OTHER HARNESS NO.2

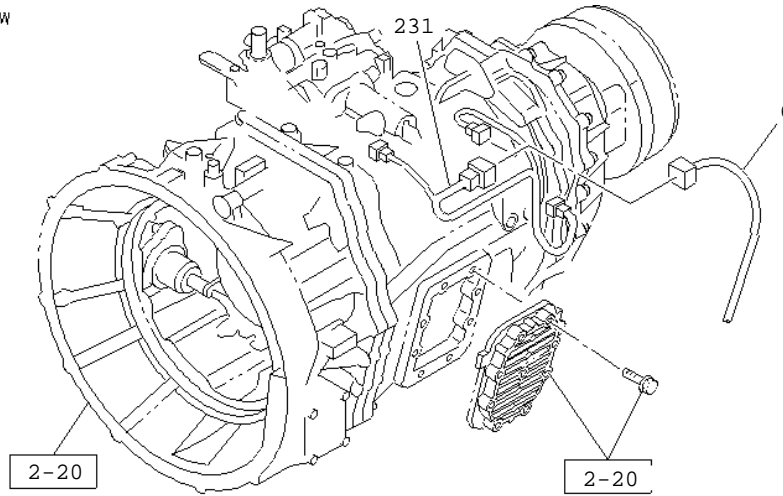


8-10 WIRING HARNESS AND FUSE
ENGINE HARNESS

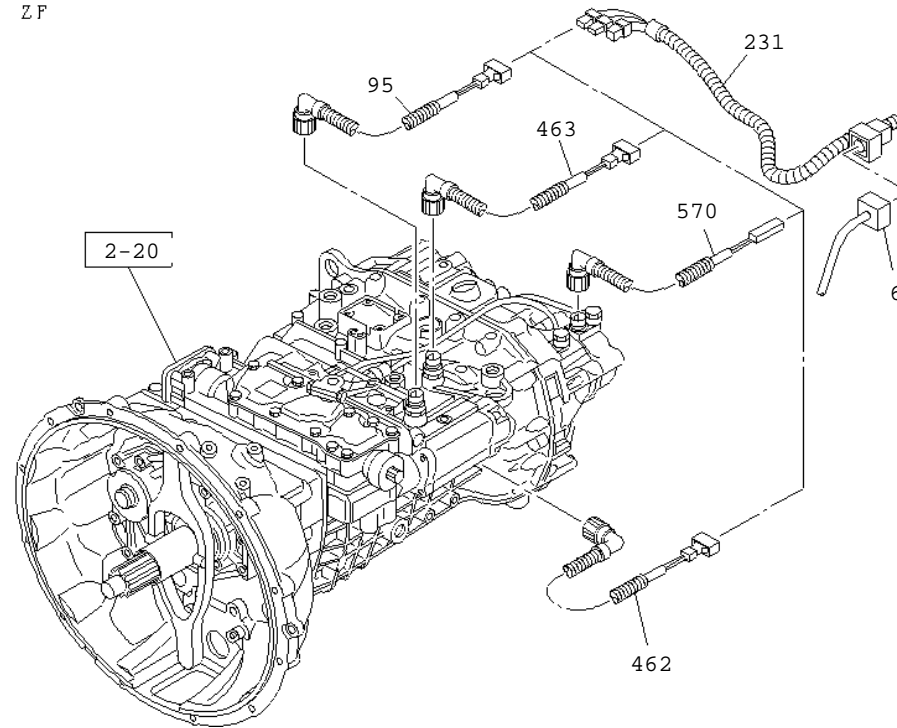


8-10 WIRING HARNESS AND FUSE
TRANSMISSION HARNESS

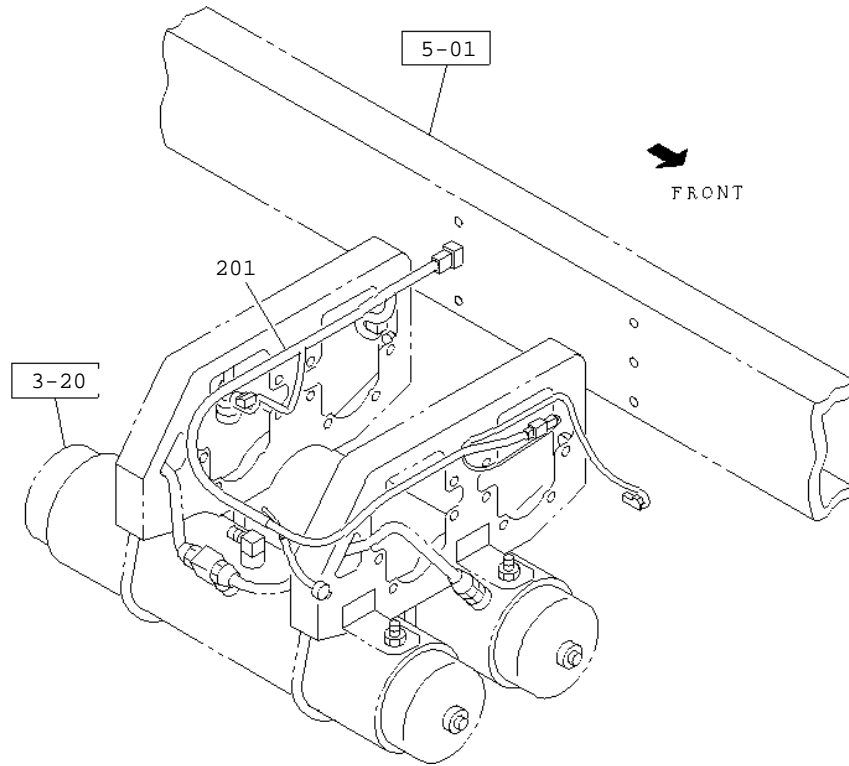
MZW



ZF

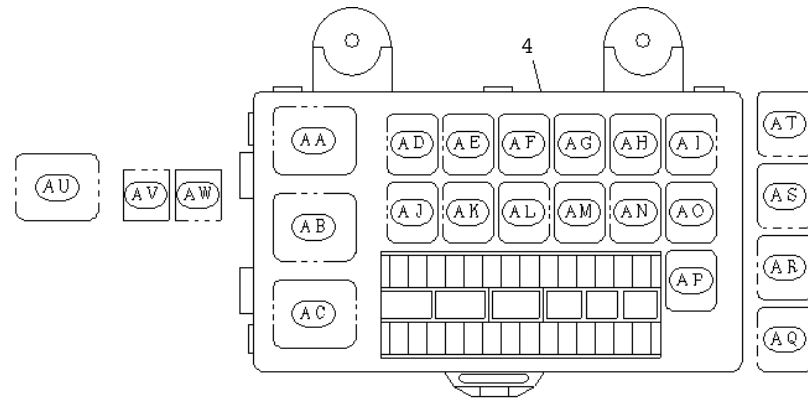


8-10 WIRING HARNESS AND FUSE
AIR TANK HARNESS



8-10 WIRING HARNESS AND FUSE

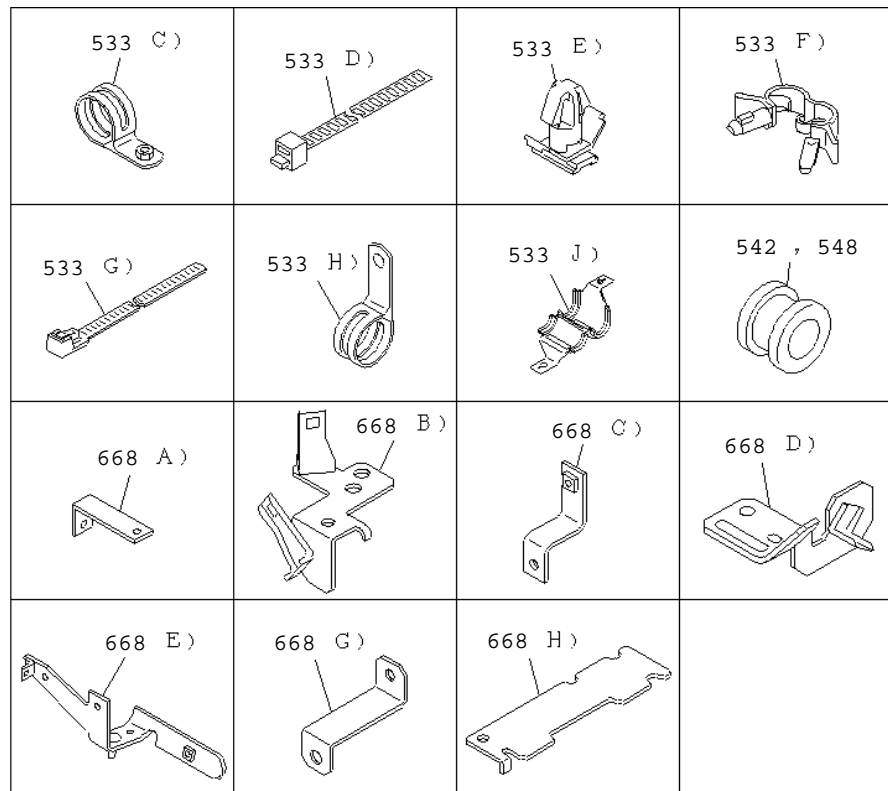
RELAY;CAB HARNESS



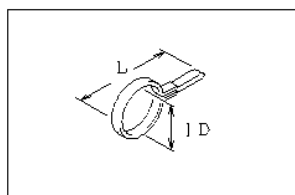
	KEY NO.	RELAY NAME		KEY NO.	RELAY NAME
(AA)	8-28	STOP LAMP	(AM)	693	HEAD LAMP(LOW)
(AB)	8-25	BLOWER MOTOR, HEATER	(AN)	—	—
(AC)	8-25	KEY ON	(AO)	693	HEAD LAMP(HI)
(AD)	—	—	(AP)	693	TAIL
(AE)	—	—	(AQ)	8-25	PTO MAIN
(AF)	693	WIPER MAIN	(AR)	8-25	PTO CUT
(AG)	693	HORN	(AS)	8-25	ACC MAIN
(AH)	693	WIPER(HI/LOW)	(AT)	8-25	IGNITION
(AI)	—	—	(AU)	8-28	TRAILER STOP
(AJ)	—	—	(AV)	—	—
(AK)	—	—	(AW)	—	—
(AL)	—	—			

8-10 WIRING HARNESS AND FUSE

CLIP, BRACKET AND GROMMET

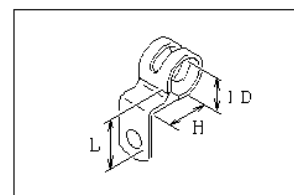


SIZE	KEY NO.
------	---------



I D	L	
11	41	533 A)
15	65	533 L)

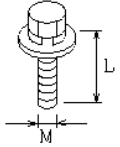
SIZE	KEY NO.
------	---------

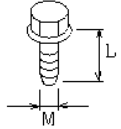


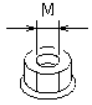
I D	H	L	
27.5	23	24	533 B)
31.5	23	25	533 I)
34.5	23	27.5	533 K)

8-10 WIRING HARNESS AND FUSE

BOLT AND NUT

SIZE		KEY NO.
BOLT: LK&PL W/WASHER		
		
M	L	
8	30	639 D)
	35	534 B)

SIZE		KEY NO.
BOLT: W/PLANGE		
		
M	L	
8	20	267 D)
		639 A)
	25	267 A)
		639 B)
	30	534 A)
		639 C)
35	267 B)	
10	25	267 C)

SIZE		KEY NO.
NUT: W/PLANGE		
		
M		
8		290 A)
		293
		525
		640
10		290 B)

8-10

WIRING HARNESS AND FUSE

KEY	R / C	PART NAME PART NUMBER	I T C	APPLIED DATE	L / R	Qty	APPLIED MODEL	RESTRICTION/REMARKS
								A FVR WIDE CAB(FGR5MV) B GVR WIDE CAB(GGR5MV)
1		HARNESS; CAB 8-98268-556-0		1406-		01	A	ZF9S1110 DD M/T(Y5P) VENTILATOR & DEFROSTER WO/HEATER<SAZ> VIN MODEL YEAR 2014<VZE> IDN
		8-98246-464-1		1406-		01	A	ZF9S1110 DD M/T(Y5P) VENTILATOR & DEFROSTER WO/HEATER<SAZ> EXC. VIN MODEL YEAR 2014<VZE> IDN
		8-98268-555-0		1402-		01	A	VENTILATOR & DEFROSTER WO/HEATER<SAZ> VIN MODEL YEAR 2014<VZE> IDN
		8-98268-558-0		1403-		01	B	VENTILATOR & DEFROSTER WO/HEATER<SAZ> VIN MODEL YEAR 2014<VZE> IDN
		8-98250-444-0		1403-		01	B	VENTILATOR & DEFROSTER WO/HEATER<SAZ> EXC. VIN MODEL YEAR 2014<VZE> IDN
		8-98246-463-0		1312-1401		01	A	VENTILATOR & DEFROSTER WO/HEATER<SAZ> IDN
		8-98246-463-0		1402-		01	A	VENTILATOR & DEFROSTER WO/HEATER<SAZ> EXC. VIN MODEL YEAR 2014<VZE> IDN
2		DIODE; CABLE HARNESS 8-94416-438-1		1402-		01	A	VENTILATOR & DEFROSTER WO/HEATER<SAZ> EXC. VIN MODEL YEAR 2014<VZE> (A) BLACK 3P-1.5A IDN
		8-94422-639-1		1402-		01	A	VENTILATOR & DEFROSTER WO/HEATER<SAZ> EXC. VIN MODEL YEAR 2014<VZE> (B) BLACK 2P-1.5A IDN
		8-94422-640-1		1402-1402		01	A	VENTILATOR & DEFROSTER WO/HEATER<SAZ> VIN MODEL YEAR 2014<VZE> (C) BLACK 3P-1.5A IDN
		8-94422-640-1		1403-1405		01	A	VENTILATOR & DEFROSTER WO/HEATER<SAZ> VIN MODEL YEAR 2014<VZE> (C) BLACK 3P-1.5A IDN
		8-94422-640-1		1403-1405		01	B	VENTILATOR & DEFROSTER WO/HEATER<SAZ> (C) BLACK 3P-1.5A IDN

8-10

WIRING HARNESS AND FUSE

KEY	R / C	PART NAME PART NUMBER	I T C	APPLIED DATE	L / R	Qty	APPLIED MODEL	RESTRICTION/REMARKS
2		8-94422-640-1		1406-		01	A	A FVR WIDE CAB(FGR5MV) B GVR WIDE CAB(GGR5MV)
		8-94422-640-1		1406-		01	A	MZW6P M/T(RSZ) VENTILATOR & DEFROSTER WO/HEATER<SAZ> VIN MODEL YEAR 2014<VZE> (C) BLACK 3P-1.5A IDN
		8-94422-640-1		1406-		01	A	ZF9S1110 DD M/T(Y5P) VENTILATOR & DEFROSTER WO/HEATER<SAZ> (C) BLACK 3P-1.5A IDN
		8-94422-640-1		1406-		01	B	FULLER ES11109 DD M/T(Y5N) VENTILATOR & DEFROSTER WO/HEATER<SAZ> (C) BLACK 3P-1.5A IDN
		8-94416-438-1		1312-1401		01	A	VENTILATOR & DEFROSTER WO/HEATER<SAZ> (A) BLACK 3P-1.5A IDN
		8-94416-438-1		1402-1402		02	A	VENTILATOR & DEFROSTER WO/HEATER<SAZ> VIN MODEL YEAR 2014<VZE> (A) BLACK 3P-1.5A IDN
		8-94416-438-1		1403-1405		02	A	VENTILATOR & DEFROSTER WO/HEATER<SAZ> VIN MODEL YEAR 2014<VZE> (A) BLACK 3P-1.5A IDN
		8-94416-438-1		1403-1405		02	B	VENTILATOR & DEFROSTER WO/HEATER<SAZ> (A) BLACK 3P-1.5A IDN
		8-94416-438-1		1406-		02	A	MZW6P M/T(RSZ) VENTILATOR & DEFROSTER WO/HEATER<SAZ> VIN MODEL YEAR 2014<VZE> (A) BLACK 3P-1.5A IDN
		8-94416-438-1		1406-		02	A	ZF9S1110 DD M/T(Y5P) VENTILATOR & DEFROSTER WO/HEATER<SAZ> (A) BLACK 3P-1.5A IDN

8-10

WIRING HARNESS AND FUSE

KEY	R / C	PART NAME PART NUMBER	I T C	APPLIED DATE	L / R	Qty	APPLIED MODEL	RESTRICTION/REMARKS
								A FVR WIDE CAB(FGR5MV) B GVR WIDE CAB(GGR5MV)
2		8-94416-438-1		1406-		02	B	FULLER ES11109 DD M/T(Y5N) VENTILATOR & DEFROSTER WO/HEATER<SAZ> (A) BLACK 3P-1.5A IDN
		8-94422-639-1		1312-1401		01	A	VENTILATOR & DEFROSTER WO/HEATER<SAZ> (B) BLACK 2P-1.5A IDN
		8-94422-639-1		1402-1402		02	A	VENTILATOR & DEFROSTER WO/HEATER<SAZ> VIN MODEL YEAR 2014<VZE> (B) BLACK 2P-1.5A IDN
		8-94422-639-1		1403-1405		02	A	VENTILATOR & DEFROSTER WO/HEATER<SAZ> VIN MODEL YEAR 2014<VZE> (B) BLACK 2P-1.5A IDN
		8-94422-639-1		1403-1405		02	B	VENTILATOR & DEFROSTER WO/HEATER<SAZ> (B) BLACK 2P-1.5A IDN
		8-94422-639-1		1406-		02	A	MZW6P M/T(RSZ) VENTILATOR & DEFROSTER WO/HEATER<SAZ> VIN MODEL YEAR 2014<VZE> (B) BLACK 2P-1.5A IDN
		8-94422-639-1		1406-		02	A	ZF9S1110 DD M/T(Y5P) VENTILATOR & DEFROSTER WO/HEATER<SAZ> (B) BLACK 2P-1.5A IDN
		8-94422-639-1		1406-		02	B	FULLER ES11109 DD M/T(Y5N) VENTILATOR & DEFROSTER WO/HEATER<SAZ> (B) BLACK 2P-1.5A IDN
4		BOX ASM; FUSE,HARNESS 8-98065-666-0		1312-1402		01	A	VENTILATOR & DEFROSTER WO/HEATER<SAZ> IDN
		8-98065-666-0		1403-		01	AB	VENTILATOR & DEFROSTER WO/HEATER<SAZ> IDN
5	A	FUSE; FACIA HARNESS 8-98054-257-0		1312-1402		AR	A	VENTILATOR & DEFROSTER WO/HEATER<SAZ> 10A RED IDN

8-10

WIRING HARNESS AND FUSE

KEY	R / C	PART NAME PART NUMBER	I T C	APPLIED DATE	L / R	Qty	APPLIED MODEL	RESTRICTION/REMARKS
								A FVR WIDE CAB(FGR5MV) B GVR WIDE CAB(GGR5MV)
5		8-98054-257-0		1403-		AR	AB	VENTILATOR & DEFROSTER WO/HEATER<SAZ> 10A RED IDN
		8-98054-258-0		1312-1402		AR	A	VENTILATOR & DEFROSTER WO/HEATER<SAZ> 15A BLUE IDN
		8-98054-258-0		1403-		AR	AB	VENTILATOR & DEFROSTER WO/HEATER<SAZ> 15A BLUE IDN
		8-98054-259-0		1312-1402		AR	A	VENTILATOR & DEFROSTER WO/HEATER<SAZ> 20A YELLOW IDN
		8-98054-259-0		1403-		AR	AB	VENTILATOR & DEFROSTER WO/HEATER<SAZ> 20A YELLOW IDN
		8-98062-982-0		1312-1402		01	A	VENTILATOR & DEFROSTER WO/HEATER<SAZ> 25A WHITE IDN
		8-98062-982-0		1403-		01	AB	VENTILATOR & DEFROSTER WO/HEATER<SAZ> 25A WHITE IDN
6		HARNESS; FRAME 8-98268-800-0		1406-		01	A	ZF9S1110 DD M/T(Y5P) IDN
		8-98246-391-2		1403-		01	B	IDN
		8-98246-386-1		1312-		01	A	MZW6P M/T(RSZ) IDN
9		HARNESS; FRAME,RR 8-98250-278-1		1403-		01	B	IDN
		8-98209-435-0		1312-		01	A	WHEEL BASE 4200MM(42W) IDN
		8-98209-436-0		1312-		01	A	WHEEL BASE 5000MM(50W) IDN
		8-98209-437-0		1312-		01	A	WHEEL BASE 6000MM(60W) IDN
10		BOX; FUSE, HARNESS 8-98030-762-0		1312-1402		01	A	IDN
		8-98030-762-0		1403-		01	AB	IDN
12		HARNESS; ROOF 8-98041-949-2		1312-1402		01	A	IDN
		8-98041-949-2		1403-		01	AB	IDN
13		HARNESS; ENG						IDN

8-10

WIRING HARNESS AND FUSE

KEY	R / C	PART NAME PART NUMBER	I T C	APPLIED DATE	L / R	Qty	APPLIED MODEL	RESTRICTION/REMARKS
								A FVR WIDE CAB (FGR5MV) B GVR WIDE CAB (GGR5MV)
13		8-98075-774-5		1312-1402		01	A	VENTILATOR & DEFROSTER WO/HEATER<SAZ>
		8-98075-774-5		1403-1405		01	A	
		8-98075-774-5		1403-1405		01	B	
		8-98075-774-5		1406-		01	AB	
18		HARNESS; DOOR 8-98076-305-3		1312-1402	L	01	A	PASSENGER IDN
		8-98076-305-3		1403-	L	01	AB	PASSENGER IDN
		8-98076-304-3		1312-1402	R	01	A	DRIVER IDN
		8-98076-304-3		1403-	R	01	AB	DRIVER IDN
27	A	FUSE UNIT 8-98054-258-0		1312-1402		AR	A	15A BLUE IDN
		8-98054-258-0		1403-		AR	AB	15A BLUE IDN
28		SCREW; FUSE BOX 0-28650-616-0		1312-1402		01	A	BOLT M6X16 FLANGE
		0-28650-616-0		1403-		01	AB	BOLT M6X16 FLANGE
29		COVER; FUSE BOX 8-98056-968-0		1312-1402		01	A	VENTILATOR & DEFROSTER WO/HEATER<SAZ> IDN
		8-98056-968-0		1403-		01	AB	VENTILATOR & DEFROSTER WO/HEATER<SAZ> IDN
41		PULLER; FUSE 8-98054-260-0		1312-1402		01	A	VENTILATOR & DEFROSTER WO/HEATER<SAZ> IDN
		8-98054-260-0		1403-		01	AB	VENTILATOR & DEFROSTER WO/HEATER<SAZ> IDN
95		HARNESS; NEUTRAL SW 8-98145-855-0		1406-		01	A	ZF9S1110 DD M/T(Y5P) RED
116		HARNESS; TRACTOR 8-98251-501-0		1403-		01	B	
174		FUSE; SLOW BLOW						

8-10

WIRING HARNESS AND FUSE

KEY	R / C	PART NAME PART NUMBER	I T C	APPLIED DATE	L / R	Qty	APPLIED MODEL	RESTRICTION/REMARKS
								A FVR WIDE CAB (FGR5MV) B GVR WIDE CAB (GGR5MV)
174		8-97219-407-0		1312-1402		01	A	60A YELLOW IDN
		8-97219-407-0		1403-		01	AB	60A YELLOW IDN
		8-97219-407-0		1312-1402		01	A	60A YELLOW IDN
		8-97219-407-0		1403-		01	AB	60A YELLOW IDN
		8-98079-191-0		1312-1402		01	A	30A PINK IDN
		8-98079-191-0		1403-		01	AB	30A PINK IDN
		8-98079-192-0		1312-1402		01	A	40A GREEN IDN
		8-98079-192-0		1403-		01	AB	40A GREEN IDN
		8-98079-193-0		1312-1402		03	A	50A RED IDN
		8-98079-193-0		1403-		03	AB	50A RED IDN
184		COVER; RELAY & FUSE BOX 8-98030-766-0		1312-1402		01	A	(A) IDN
		8-98030-766-0		1403-		01	AB	(A) IDN
		8-98030-767-1		1312-1402		01	A	(B) IDN
		8-98030-767-1		1403-		01	AB	(B) IDN
201		HARNESS; AIR TANK 8-98250-276-1		1403-		01	B	IDN
		8-98178-658-2		1312-		01	A	IDN

8-10

WIRING HARNESS AND FUSE

KEY	R / C	PART NAME PART NUMBER	I T C	APPLIED DATE	L / R	Qty	APPLIED MODEL	RESTRICTION/REMARKS
								A FVR WIDE CAB (FGR5MV) B GVR WIDE CAB (GGR5MV)
204		HARNESS; CABLE, FLOOR 8-98250-442-0		1403-		01	B	IDN
		8-98182-447-0		1312-		01	A	IDN
231		HARNESS; TRANS 8-97618-932-2		1312-		01	A	IDN
267		BOLT; BRKT 0-28650-820-0		1403-		01	B	(D) M8X20 FLANGE IDN
		0-28650-835-0		1403-		01	B	(B) M8X35 FLANGE
		0-28650-825-0		1312-1402		01	A	(A) M8X25 FLANGE IDN
		0-28650-825-0		1403-		01	AB	(A) M8X25 FLANGE IDN
		0-28650-835-0		1312-1402		02	A	(B) M8X35 FLANGE
		0-28650-835-0		1403-		02	AB	(B) M8X35 FLANGE
		0-28651-025-0		1312-1402		02	A	(C) M10X25 FLANGE IDN
		0-28651-025-0		1403-		02	AB	(C) M10X25 FLANGE IDN
276		COVER; BOX, FRAME HARNESS 8-98034-039-1		1312-1402		01	A	
		8-98034-039-1		1403-		01	AB	
280		NUT; BOX ASM FIX 0-91180-106-0		1312-1402		04	A	M6 FLANGE
		0-91180-106-0		1403-		04	AB	M6 FLANGE
290		NUT; BRKT						

8-10

WIRING HARNESS AND FUSE

KEY	R / C	PART NAME PART NUMBER	I T C	APPLIED DATE	L / R	Qty	APPLIED MODEL	RESTRICTION/REMARKS
								A FVR WIDE CAB (FGR5MV) B GVR WIDE CAB (GGR5MV)
290		0-91180-108-0		1403-		04	B	(A) M8 FLANGE
		0-91180-108-0		1312-1402		01	A	(A) M8 FLANGE
		0-91180-108-0		1403-		01	AB	(A) M8 FLANGE
		0-91180-108-0		1312-1402		02	A	(A) M8 FLANGE
		0-91180-108-0		1312-1402		02	A	(A) M8 FLANGE
		0-91180-108-0		1403-		02	AB	(A) M8 FLANGE
		0-91180-108-0		1403-		02	A	(A) M8 FLANGE
		0-91180-210-0		1312-1402		02	A	(B) M10 FLANGE
		0-91180-210-0		1403-		02	AB	(B) M10 FLANGE
293		NUT 0-91180-108-0		1312-1402		01	A	M8 FLANGE
		0-91180-108-0		1403-		01	AB	M8 FLANGE
453		PROTECTOR; HARNESS 1-82699-709-0		1312-1402		01	A	IDN
		1-82699-709-0		1403-		01	AB	IDN
462		HARNESS; SW,RANGE 8-98145-857-0		1406-		01	A	ZF9S1110 DD M/T(Y5P) BLUE
463		HARNESS; SW,BACK UP 8-98145-856-0		1406-		01	A	ZF9S1110 DD M/T(Y5P) BLACK
525		NUT; CLIP 0-91180-108-0		1312-1402		01	A	M8 FLANGE
		0-91180-108-0		1312-1402		01	A	M8 FLANGE

8-10

WIRING HARNESS AND FUSE

KEY	R / C	PART NAME PART NUMBER	I T C	APPLIED DATE	L / R	Qty	APPLIED MODEL	RESTRICTION/REMARKS
								A FVR WIDE CAB (FGR5MV) B GVR WIDE CAB (GGR5MV)
525		0-91180-108-0		1403-		01	AB	
		0-91180-108-0		1403-		01	AB	M8 FLANGE
		0-91180-108-0		1403-		01	B	M8 FLANGE
		0-91180-108-0		1403-		01	B	M8 FLANGE
533		CLIP						
		1-09700-403-0		1403-		01	B	(A) ID=11 L=41
		1-09700-466-0		1403-		06	B	(L) ID=15 L=65
		1-09701-055-1		1403-		01	B	(H) ID=32 L=50
		1-09707-183-0		1403-		02	B	(D) L=350
		1-09709-150-0		1403-		01	B	(J) W/SPONGE RUBBER
		1-09709-180-0		1403-		01	B	(E) OD=9 H=13.5
		1-09701-017-0		1403-		01	B	(I) ID=31.5 H=23 L=25
		1-09701-017-0		1403-		01	B	(I) ID=31.5 H=23 L=25
		1-09709-289-0		1312-1401		02	A	(F) ID=5-12 L=26
		1-09709-289-0		1402-		02	A	MZW6P M/T (RSZ) (F) ID=5-12 L=26
		1-09700-863-0		1312-1402		02	A	(B) ID=27.5 H=23 L=24
		1-09700-863-0		1403-		02	AB	(B) ID=27.5 H=23 L=24
		1-09700-905-0		1312-		02	A	(K) ID=34.5 H=23 L=27.5

8-10

WIRING HARNESS AND FUSE

KEY	R / C	PART NAME PART NUMBER	I T C	APPLIED DATE	L / R	Qty	APPLIED MODEL	RESTRICTION/REMARKS
								A FVR WIDE CAB (FGR5MV) B GVR WIDE CAB (GGR5MV)
533		1-09701-214-0		1312-		01	A	(C) ID=35 L=50
		1-09707-107-1		1312-1402		01	A	(D) L=600
		1-09707-107-1		1312-1402		01	A	(D) L=600
		1-09707-107-1		1403-		01	AB	(D) L=600
		1-09707-107-1		1403-		01	A	(D) L=600
		1-09707-183-0		1312-1402		01	A	(D) L=350
		1-09707-183-0		1403-		01	AB	(D) L=350
		1-09709-181-0		1312-		01	A	(E) OD=9 H=17.5
		5-09707-030-1		1312-1402		01	A	(G) L=250 IDN
		5-09707-030-1		1403-1405		01	AB	(G) L=250 IDN
		5-09707-030-1		1403-1405		01	B	(G) L=250 IDN
		5-09707-030-1		1406-		01	AB	(G) L=250 IDN
		5-09707-030-1		1406-		01	A	ZF9S1110 DD M/T(Y5P) PTO CONTROL<SV6> (G) L=250 IDN

8-10

WIRING HARNESS AND FUSE

KEY	R / C	PART NAME PART NUMBER	I T C	APPLIED DATE	L / R	Qty	APPLIED MODEL	RESTRICTION/REMARKS
								A FVR WIDE CAB(FGR5MV) B GVR WIDE CAB(GGR5MV)
533		5-09707-030-1		1406-		01	B	(G) L=250 IDN
		5-09707-030-1		1312-1402		05	A	(G) L=250 IDN
		5-09707-030-1		1403-		05	AB	(G) L=250 IDN
		1-09700-466-0		1312-		14	A	WHEEL BASE 4200MM(42W) (L) ID=15 L=65
		1-09700-466-0		1312-		18	A	WHEEL BASE 5000MM(50W) (L) ID=15 L=65
		1-09700-466-0		1312-		23	A	WHEEL BASE 6000MM(60W) (L) ID=15 L=65
534		BOLT 0-28650-830-0		1312-1402		01	A	(A) M8X30 FLANGE
		0-28650-830-0		1403-		01	AB	(A) M8X30 FLANGE
		1-09030-073-0		1312-1402		03	A	(B) M8X35 W/LK&PL WASHER
		1-09030-073-0		1403-		03	AB	(B) M8X35 W/LK&PL WASHER
542		GROMMET; HARNESS 1-09332-011-1		1312-		01	A	ID=28 OD=35 T=25
		9-09956-256-2		1312-1402		01	A	ID=28 OD=35 T=17
		9-09956-256-2		1403-		01	AB	ID=28 OD=35 T=17
		9-09956-256-2		1403-		01	B	ID=28 OD=35 T=17
548		GROMMET 9-09956-256-2		1403-		01	B	ID=28 OD=35 T=17
		1-09332-011-1		1312-		01	A	ID=28 OD=35 T=25

8-10

WIRING HARNESS AND FUSE

KEY	R / C	PART NAME PART NUMBER	I T C	APPLIED DATE	L / R	Qty	APPLIED MODEL	RESTRICTION/REMARKS
								A FVR WIDE CAB (FGR5MV) B GVR WIDE CAB (GGR5MV)
570		HARNESS; SPEED SENSOR 8-98148-602-0		1406-		01	A	ZF9S1110 DD M/T(Y5P)
595		HARNESS; WARNING, BRK 8-97620-487-1		1312-1402		01	A	IDN
		8-97620-487-1		1403-		01	AB	IDN
639		BOLT; CLIP 0-50640-830-0		1403-		01	B	(D) M8X30 W/LK&PL WASHER
		0-28650-820-0		1312-1402		01	A	(A) M8X20 FLANGE IDN
		0-28650-820-0		1403-		01	AB	(A) M8X20 FLANGE IDN
		0-28650-825-0		1312-1402		01	A	(B) M8X25 FLANGE IDN
		0-28650-825-0		1403-		01	AB	(B) M8X25 FLANGE IDN
		0-28650-830-0		1312-1402		01	A	(C) M8X30 FLANGE
		0-28650-830-0		1403-		01	AB	(C) M8X30 FLANGE
640		NUT; CLIP 0-91180-108-0		1312-1402		01	A	M8 FLANGE
		0-91180-108-0		1403-		01	AB	M8 FLANGE
668		BRACKET; HARNESS 1-47476-658-0		1403-		01	B	(G)
		8-98127-093-0		1403-		01	B	(H)
		1-47475-304-0		1312-1402		01	A	(A) L=55

8-10

WIRING HARNESS AND FUSE

KEY	R / C	PART NAME PART NUMBER	I T C	APPLIED DATE	L / R	Qty	APPLIED MODEL	RESTRICTION/REMARKS
								A FVR WIDE CAB (FGR5MV) B GVR WIDE CAB (GGR5MV)
668		1-47475-304-0		1403-		01	AB	(A) L=55
		8-97609-110-1		1312-1402		01	A	(C)
		8-97609-110-1		1403-		01	AB	(C)
		8-97616-305-0		1312-1402		01	A	(D)
		8-97616-305-0		1403-		01	AB	(D)
		8-98095-653-2		1312-1402		01	A	(F)
		8-98095-653-2		1403-		01	AB	(F)
		8-98168-184-0		1312-1402		01	A	(B)
		8-98168-184-0		1403-		01	AB	(B)
		8-98212-082-1		1312-1402		01	A	(E)
		8-98212-082-1		1403-		01	AB	(E)
673		HARNESS; EXT, SENSOR 8-98069-172-0		1312-1402		01	A	IDN
		8-98069-172-0		1403-		01	AB	IDN
691		HARNESS; IDLE CONT 8-98049-014-2		1312-1402		01	A	IDN
		8-98049-014-2		1403-		01	AB	IDN
693		RELAY; FUSE BOX 8-97173-035-1		1312-1402		AR	A	VENTILATOR & DEFROSTER WO/HEATER<SAZ> 24V 10A MATSUSHITA IDN
		8-97173-035-1		1403-		AR	AB	VENTILATOR & DEFROSTER WO/HEATER<SAZ> 24V 10A MATSUSHITA IDN
694		BOX ASM; CONNECTOR 8-98057-771-0		1312-1402		01	A	VENTILATOR & DEFROSTER WO/HEATER<SAZ>
		8-98057-771-0		1403-		01	AB	VENTILATOR & DEFROSTER WO/HEATER<SAZ>
8-15		Move to 8-15						
8-28		Move to 8-28						
1-01		Move to 1-01						
1-30		Move to 1-30						
1-31		Move to 1-31						

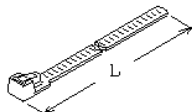
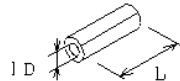
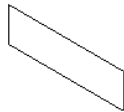

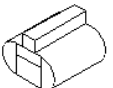
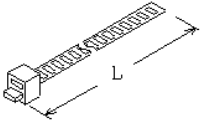
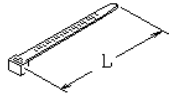
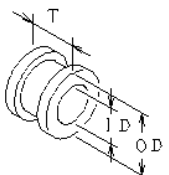
8-10

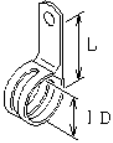

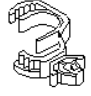

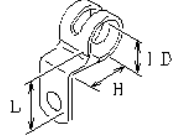
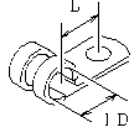
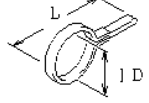
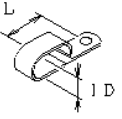
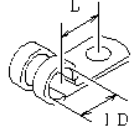
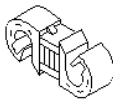
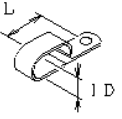
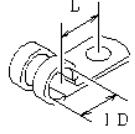
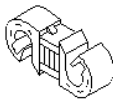
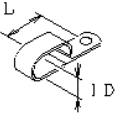
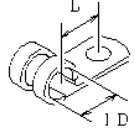
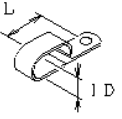
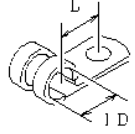
WIRING HARNESS AND FUSE

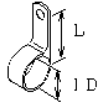

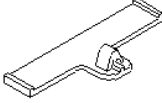
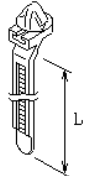
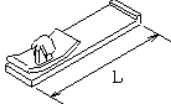

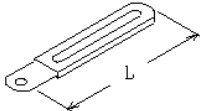
KEY	R / C	PART NAME PART NUMBER	I T C	APPLIED DATE	L / R	Qty	APPLIED MODEL	RESTRICTION/REMARKS
								A FVR WIDE CAB (FGR5MV) B GVR WIDE CAB (GGR5MV)
3-75		Move to 3-75						
5-01		Move to 5-01						
7-40		Move to 7-40						
2-20		Move to 2-20						
		Move to 2-20						
		Move to 2-20						
3-20		Move to 3-20						
8-25		Move to 8-25						

8-15 FIXING PARTS; WIRING HARNESS

CLIP NO.1 AND OTHER PARTS

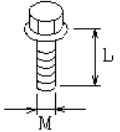
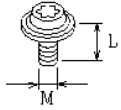
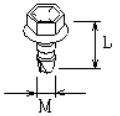
SIZE	KEY NO.	SIZE	KEY NO.	SIZE	KEY NO.
					
L=140	48 (B)	ID	L	—	530
L=250	16 (E)	10	30		
	217	14	60		
					
				—	538
—	503	L=350	14 (B)		
					
L=250	14 (A)			ID	OD
				28	35
					T
					17
					178 (B)
					25
					178 (A)

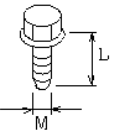
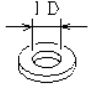
SIZE		KEY NO.	SIZE		KEY NO.	SIZE		KEY NO.
								
1D	L		1D	L		—	16 (A)	
14.5	20	16 (H)	21	47.5	305 (C)			
	40	16 (K)				1D	L	
24	32	305 (D)						
25	60	305 (H)	1D	H	L			
28	32	306 (A)	19	21	39	305 (G)		
			20	23	27	305 (F)		
1D	L							
28	78	48 (A)	1D	L		1D	L	
								
			16X2	50	16 (J)	24	27	305 (E)
1D								
12&15		16 (I)						

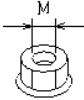
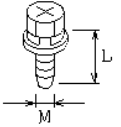
SIZE		KEY NO.		SIZE		KEY NO.		SIZE		KEY NO.	
											
ID	L			L			—		16 (C)		
11	20	16 (G)		20	116						
18	28	16 (F)									
		305 (B)									
		40									
											
∅D	H			L			L				
9	6	305 (I)		155	16 (B)		40.6		16 (D)		
											
				L							
				100	305 (J)						

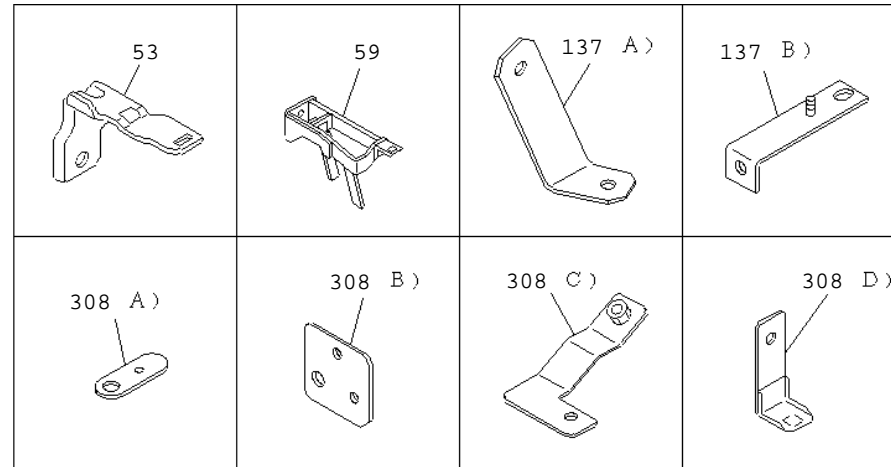
8-15 FIXING PARTS; WIRING HARNESS

BOLT, NUT, SCREW AND WASHER

SIZE	KEY NO.	
BOLT: W/FLANGE		
		
M	L	
8	12	38 C)
		139 A)
		304 B)
	16	304 C)
20	304 A)	
10	16	38 D)
HEXALOBULAR SOCKET		
		
M	L	
5	7	127
BOLT: W/PL WASHER		
		
M	L	
8	18, 5	38 A)
		386

SIZE	KEY NO.	
BOLT: W/FLANGE		
		
M	L	
8	25	38 B)
		139 D)
	30	139 B)
10	20	38 E)
	35	139 C)
WASHER: PL		
		
ID		
10, 5		184

SIZE	KEY NO.	
NUT: W/FLANGE		
		
M		
6		524
8		219
		525
BOLT: W/LK&PL WASHER		
		
M	L	
4	10	516
6	16	377



8-15

FIXING PARTS; WIRING HARNESS

KEY	R / C	PART NAME PART NUMBER	I T C	APPLIED DATE	Qty	APPLIED MODEL	RESTRICTION/REMARKS
							A FVR WIDE CAB(FGR5MV) B GVR WIDE CAB(GGR5MV)
1		SLEEVE; RUBBER 1-09337-030-0		1312-1402	01	A	(A) ID=14 OD=18 L=60
		1-09337-030-0		1403-	01	AB	(A) ID=14 OD=18 L=60
		9-09956-682-0		1312-1402	03	A	(B) ID=10 OD=14 L=30
		9-09956-682-0		1403-	03	AB	(B) ID=10 OD=14 L=30
14		CLIP; BAND, HARNESS 1-09707-183-0		1312-1402	01	A	(B) L=350
		1-09707-183-0		1403-	01	AB	(B) L=350
		8-98216-430-0		1312-1402	09	A	(A) L=250
		8-98216-430-0		1403-	09	AB	(A) L=250
16		CLIP; HARNESS 0-95235-586-0		1406-	01	A	ZF9S1110 DD M/T(Y5P) (J) ID=16X2 L=50
		1-09701-014-0		1406-	01	A	ZF9S1110 DD M/T(Y5P) (K) ID=14.5 L=40
		0-95235-035-0		1403-	01	B	(G) ID=11 L=20
		1-09701-012-0		1403-	01	B	(H) ID=14.5 L=20
		1-09709-281-1		1403-	01	B	(I) ID=12 & 15
		0-95235-556-0		1312-1402	02	A	(F) ID=16 L=28
		0-95235-556-0		1403-	02	AB	(F) ID=16 L=28

8-15

FIXING PARTS; WIRING HARNESS

KEY	R / C	PART NAME PART NUMBER	I T C	APPLIED DATE	Qty	APPLIED MODEL	RESTRICTION/REMARKS
							A FVR WIDE CAB(FGR5MV) B GVR WIDE CAB(GGR5MV)
16		5-09707-030-1		1312-	01	A	(E) L=250 IDN
		8-94413-325-0		1312-1402	01	A	(A) ID=10 & 16 IDN
		8-94413-325-0		1403-	01	AB	(A) ID=10 & 16 IDN
		8-97173-307-0		1312-1402	18	A	(B) L=155 IDN
		8-97173-307-0		1403-	18	AB	(B) L=155 IDN
		8-97229-357-0		1312-1402	02	A	(D) L=40.6
		8-97229-357-0		1403-	02	AB	(D) L=40.6
		8-98052-679-0		1312-1402	02	A	(C)
		8-98052-679-0		1403-	02	AB	(C)
38		BOLT; CLIP, HARNESS 0-28050-816-0		1403-1405	02	B	(C) M8X16 FLANGE ZF9S1110 DD M/T(Y5P)
		0-28050-816-0		1406-	02	A	(C) M8X16 FLANGE
		0-28050-816-0		1406-	02	B	(C) M8X16 FLANGE
		0-28151-016-0		1403-	01	B	(D) M10X16 FLANGE
		0-28651-020-0		1403-	01	B	(E) M10X20 FLANGE IDN

8-15

FIXING PARTS; WIRING HARNESS

KEY	R / C	PART NAME PART NUMBER	I T C	APPLIED DATE	Qty	APPLIED MODEL	RESTRICTION/REMARKS
							A FVR WIDE CAB(FGR5MV) B GVR WIDE CAB(GGR5MV)
38		0-28650-825-0		1312-1402	02	A	(B) M8X25 FLANGE IDN
		0-28650-825-0		1403-	02	AB	(B) M8X25 FLANGE IDN
		0-28650-825-0		1312-1402	03	A	(B) M8X25 FLANGE IDN
		0-28650-825-0		1403-	03	AB	(B) M8X25 FLANGE IDN
		8-98141-255-0		1312-1402	03	A	(A) M8X18.5 W/PL WASHER IDN
		8-98141-255-0		1403-	03	AB	(A) M8X18.5 W/PL WASHER IDN
48		CLIP; FRAME HARNESS 1-09700-858-0		1312-	01	A	(A) ID=28 L=78
		5-09707-031-1		1312-1402	02	A	(B) L=140 IDN
		5-09707-031-1		1403-	02	AB	(B) L=140 IDN
53		BRACKET; HARNESS 8-98052-458-0		1312-1402	01	A	IDN
		8-98052-458-0		1403-	01	AB	IDN
59		BRACKET; FRAME HARNESS 8-97609-264-2		1312-1402	01	A	
		8-97609-264-2		1403-	01	AB	
116		CLIP; ROOF HARNESS 1-09987-246-2		1312-1402	03	A	L=20

8-15

FIXING PARTS; WIRING HARNESS

KEY	R / C	PART NAME PART NUMBER	I T C	APPLIED DATE	Qty	APPLIED MODEL	RESTRICTION/REMARKS
							A FVR WIDE CAB(FGR5MV) B GVR WIDE CAB(GGR5MV)
116		1-09987-246-2		1403-	03	AB	L=20
127		SCREW; FACIA HARNESS CLIP 8-98063-767-0		1312-1402	01	A	M5X7 HEXALOBULAR SOCKET IDN
		8-98063-767-0		1403-	01	AB	M5X7 HEXALOBULAR SOCKET IDN
137		BRACKET; HARNESS CLAMP 8-97614-728-1		1312-1402	01	A	(A)
		8-97614-728-1		1403-	01	AB	(A)
		8-97624-013-0		1312-1402	01	A	(B)
		8-97624-013-0		1403-	01	AB	(B)
139		BOLT; BRKT 0-28050-812-0		1312-1402	01	A	(A) M8X12 FLANGE
		0-28050-812-0		1403-	01	AB	(A) M8X12 FLANGE
		0-28650-825-0		1312-1402	01	A	(D) M8X25 FLANGE IDN
		0-28650-825-0		1403-	01	AB	(D) M8X25 FLANGE IDN
		0-28650-830-0		1312-1402	01	A	(B) M8X30 FLANGE
		0-28650-830-0		1403-	01	AB	(B) M8X30 FLANGE
		0-28651-035-0		1312-1402	01	A	(C) M10X35 FLANGE IDN
		0-28651-035-0		1403-	01	AB	(C) M10X35 FLANGE IDN
178		GROMMET; HARNESS					

8-15

FIXING PARTS; WIRING HARNESS

KEY	R / C	PART NAME PART NUMBER	I T C	APPLIED DATE	Qty	APPLIED MODEL	RESTRICTION/REMARKS
							A FVR WIDE CAB(FGR5MV) B GVR WIDE CAB(GGR5MV)
178		9-09956-256-2		1403-	01	B	(B) ID=28 OD=35 T=17
		1-09332-011-1		1312-	01	A	(A) ID=28 OD=35 T=25
		1-09332-011-1		1312-	01	A	(A) ID=28 OD=35 T=25
184		WASHER; PL, STARTER EARTH 1-09503-265-0		1312-1402	02	A	ID=10.5 OD=22 T=2.0
		1-09503-265-0		1403-	02	AB	ID=10.5 OD=22 T=2.0
217		CLIP; RR BODY HARNESS 5-09707-030-1		1312-1402	02	A	L=250 IDN
		5-09707-030-1		1403-	02	AB	L=250 IDN
219		NUT 0-91180-108-0		1312-1402	02	A	M8 FLANGE
		0-91180-108-0		1403-	02	AB	M8 FLANGE
304		BOLT; ENG HARNESS CLIP 0-28050-812-0		1312-1402	06	A	(B) M8X12 FLANGE
		0-28050-812-0		1403-	06	AB	(B) M8X12 FLANGE
		0-28050-816-0		1312-1402	05	A	(C) M8X16 FLANGE
		0-28050-816-0		1403-	05	AB	(C) M8X16 FLANGE
		0-28050-820-0		1312-1402	04	A	(A) M8X20 FLANGE
		0-28050-820-0		1403-	04	AB	(A) M8X20 FLANGE
305		CLIP; ENG HARNESS					

8-15

FIXING PARTS; WIRING HARNESS

KEY	R / C	PART NAME PART NUMBER	I T C	APPLIED DATE	Qty	APPLIED MODEL	RESTRICTION/REMARKS
							A FVR WIDE CAB(FGR5MV) B GVR WIDE CAB(GGR5MV)
305		8-94443-021-1		1312-1402	02	A	(J) L=100
		8-94443-021-1		1403-	02	AB	(J) L=100
		0-95235-556-0		1312-1402	02	A	(B) ID=16 L=28
		0-95235-556-0		1403-	02	AB	(B) ID=16 L=28
		0-95235-576-0		1312-1402	01	A	(A) ID=16 L=40
		0-95235-576-0		1403-	01	AB	(A) ID=16 L=40
		1-09700-766-1		1312-1402	01	A	(D) ID=24 L=32
		1-09700-766-1		1403-	01	AB	(D) ID=24 L=32
		1-09700-809-0		1312-1402	03	A	(E) ID=24 L=27
		1-09700-809-0		1403-	03	AB	(E) ID=24 L=27
		1-09700-861-0		1312-1402	01	A	(F) ID=20 H=23 L=27
		1-09700-861-0		1403-	01	AB	(F) ID=20 H=23 L=27
		1-09700-972-1		1312-1402	01	A	(G) ID=19 L=39 H=21
		1-09700-972-1		1403-	01	AB	(G) ID=19 L=39 H=21
		1-09701-041-1		1312-1402	01	A	(H) ID=25 L=60
		1-09701-041-1		1403-	01	AB	(H) ID=25 L=60

8-15

FIXING PARTS; WIRING HARNESS

KEY	R / C	PART NAME PART NUMBER	I T C	APPLIED DATE	Qty	APPLIED MODEL	RESTRICTION/REMARKS
							A FVR WIDE CAB(FGR5MV) B GVR WIDE CAB(GGR5MV)
305		1-09709-178-0		1312-1402	01	A	(I) OD=9 H=6
		1-09709-178-0		1403-	01	AB	(I) OD=9 H=6
		8-94178-108-0		1312-1402	01	A	(C) ID=21 L=47.5
		8-94178-108-0		1403-	01	AB	(C) ID=21 L=47.5
306		CLIP; HARNESS,ELEC GOV 1-09701-107-1		1312-1402	01	A	(A) ID=28 L=32
		1-09701-107-1		1403-	01	AB	(A) ID=28 L=32
		1-09701-302-0		1312-1402	02	A	(B) ID=28X2 L=28
		1-09701-302-0		1403-	02	AB	(B) ID=28X2 L=28
308		BRACKET; CLIP,ENG HARNESS 8-97601-310-0		1312-1402	02	A	(A)
		8-97601-310-0		1403-	02	AB	(A)
		8-98021-692-1		1312-1402	01	A	(B)
		8-98021-692-1		1403-	01	AB	(B)
		8-98032-178-0		1312-1402	01	A	(C)
		8-98032-178-0		1403-	01	AB	(C)
		8-98075-824-0		1312-1402	01	A	(D)
		8-98075-824-0		1403-	01	AB	(D)
377		BOLT; CAB EARTH 8-97086-823-0		1312-1402	02	A	M6X16 W/LK&PL WASHER
		8-97086-823-0		1403-	02	AB	M6X16 W/LK&PL WASHER
386		BOLT; GRAND HARNESS					

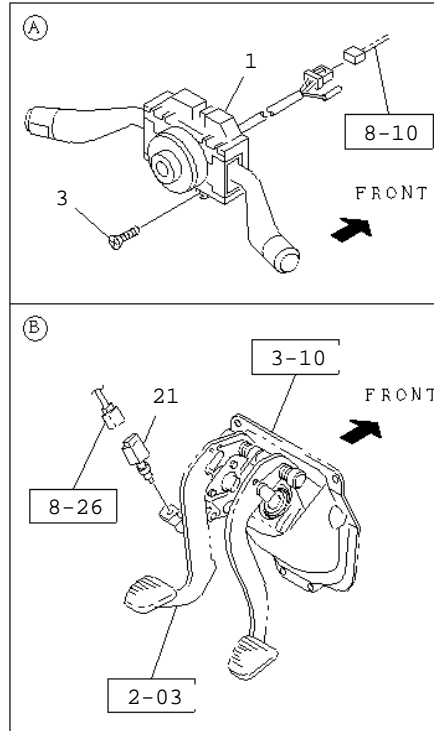
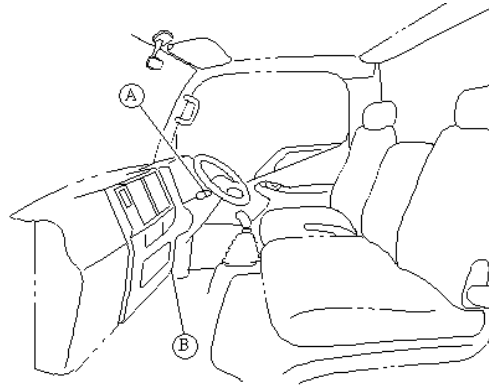
8-15

FIXING PARTS; WIRING HARNESS

KEY	R / C	PART NAME PART NUMBER	I T C	APPLIED DATE	Qty	APPLIED MODEL	RESTRICTION/REMARKS
							A FVR WIDE CAB(FGR5MV) B GVR WIDE CAB(GGR5MV)
386		8-98141-255-0		1312-1402	02	A	M8X18.5 W/PL WASHER IDN
		8-98141-255-0		1403-	02	AB	M8X18.5 W/PL WASHER IDN
470		CLIP; HARNESS,LICENSE LAMP 1-09709-178-0		1312-1402	01	A	OD=9 H=6
		1-09709-178-0		1403-	01	AB	OD=9 H=6
503		CONNECTOR 1-82690-668-0		1312-1402	01	A	
		1-82690-668-0		1403-	01	AB	
516		BOLT; HARNESS 0-36230-410-0		1312-1402	01	A	M4X10 W/LK&PL WASHER
		0-36230-410-0		1403-	01	AB	M4X10 W/LK&PL WASHER
524		NUT; HARNESS 0-91180-106-0		1312-1402	02	A	M6 FLANGE
		0-91180-106-0		1403-	02	AB	M6 FLANGE
525		NUT; CLIP 0-91180-108-0		1312-1402	02	A	M8 FLANGE
		0-91180-108-0		1403-	02	AB	M8 FLANGE
530		SEAL; HARNESS 1-72498-019-1		1312-1402	11	A	180X40
538		SEAL; HOLE 1-76798-019-0		1312-1402	01	A	OD=25 BLACK
		1-76798-019-0		1403-	01	AB	OD=25 BLACK

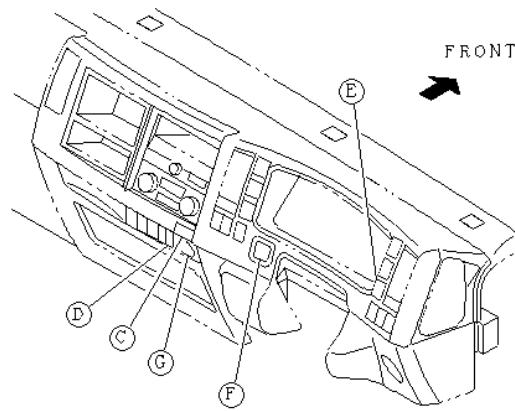
8-25 SWITCH AND RELAY; INSTRUMENT PANEL

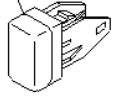
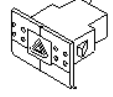
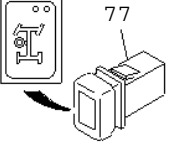
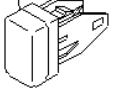
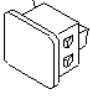

SWITCH NO.1



8-25 SWITCH AND RELAY; INSTRUMENT PANEL

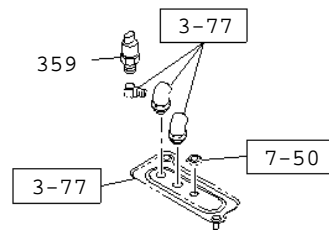
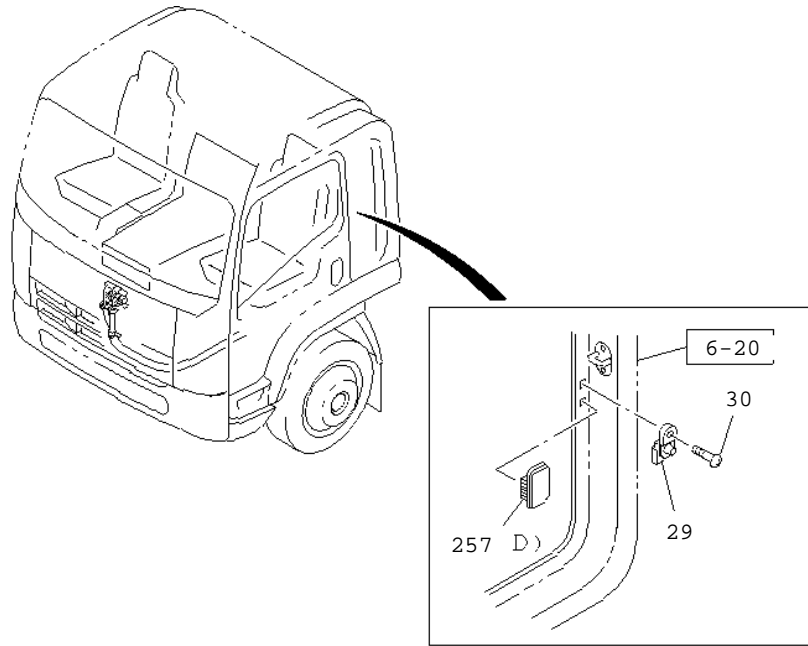
SWITCH NO.2



<p>COVER 253 , 257 C)</p> 	<p>Ⓒ HAZARD 249</p> 	<p>Ⓓ PTO 77</p> 
<p>Ⓔ COVER 104</p> 	<p>Ⓕ COVER 257 B)</p> 	<p>Ⓖ COVER 257 A)</p> 

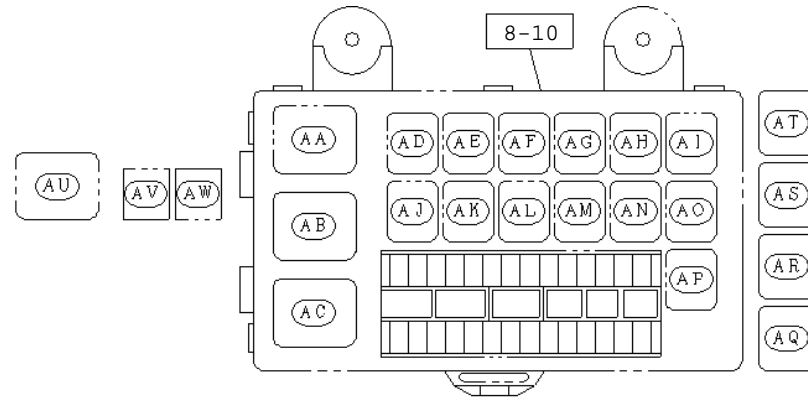
8-25 SWITCH AND RELAY; INSTRUMENT PANEL

SWITCH NO.3



8-25 SWITCH AND RELAY; INSTRUMENT PANEL

RELAY; CAB HARNESS



	KEY NO.	RELAY NAME		KEY NO.	RELAY NAME
(AA)	8-28	STOP LAMP	(AM)	8-10	HEAD LAMP(LOW)
(AB)	317	BLOWER MOTOR, HEATER	(AN)	—	—
(AC)	610 A)	KEY ON	(AO)	8-10	HEAD LAMP(HI)
(AD)	—	—	(AP)	8-10	TAIL
(AE)	—	—	(AQ)	606	PTO MAIN
(AF)	8-10	WIPER MAIN	(AR)	606	PTO CUT
(AG)	8-10	HORN	(AS)	610 B)	ACC MAIN
(AH)	8-10	WIPER(HI/LOW)	(AT)	595	IGNITION
(AI)	—	—	(AU)	8-28	TRAILER STOP
(AJ)	—	—	(AV)	—	—
(AK)	—	—	(AW)	—	—
(AL)	—	—			

8-25

SWITCH AND RELAY; INSTRUMENT PANEL

KEY	R / C	PART NAME PART NUMBER	I T C	APPLIED DATE	Qty	APPLIED MODEL	RESTRICTION/REMARKS
							A FVR WIDE CAB(FGR5MV) B GVR WIDE CAB(GGR5MV)
1		SWITCH; COMB 8-98243-704-0		1312-1402	01	A	
		8-98243-704-0		1403-	01	AB	
3		SCREW; COMB SW 8-98061-743-0		1312-1402	02	A	
		8-98061-743-0		1403-	02	AB	M5X20 W/PL WASHER&TORQUES
							M5X20 W/PL WASHER&TORQUES
21		SWITCH; CLU 8-94337-761-0		1312-1405	01	A	TRANSMISSION SIDE PTO WO/LEVER(SH5)
		8-94337-761-0		1406-	01	A	PTO ZF TRANS RR(BDM),TRANSMISSION SIDE PTO WO/LEVE R(SH5)
		8-97358-248-0		1312-1402	01	A	EXC. TRANSMISSION SIDE PTO WO/LEVER(SH5)
		8-97358-248-0		1403-1405	01	A	EXC. TRANSMISSION SIDE PTO WO/LEVER(SH5)
		8-97358-248-0		1403-1405	01	B	
		8-97358-248-0		1406-	01	A	EXC. PTO ZF TRANS RR(BDM),TRANSMISSION SIDE PTO WO /LEVER(SH5)
		8-97358-248-0		1406-	01	B	
29		SWITCH; DOOR 8-98022-211-0		1312-1402	01	A	
		8-98022-211-0		1403-	01	AB	BLACK IDN
							BLACK IDN
30		SCREW; DOOR SW 8-98047-201-0		1312-1402	01	A	
		8-98047-201-0		1403-	01	AB	M5X18 IDN
							M5X18 IDN
77		SWITCH; PTO 8-97615-488-1		1312-1405	01	A	TRANSMISSION SIDE PTO WO/LEVER(SH5)
		8-97615-488-1		1406-	01	A	PTO ZF TRANS RR(BDM),TRANSMISSION SIDE PTO WO/LEVE R(SH5)
104		COVER; SW HOLE, FOG LAMP 8-98025-954-1		1312-1402	01	A	
		8-98025-954-1		1403-	01	AB	
249		SWITCH; HAZARD 8-97948-258-0		1312-1402	01	A	
		8-97948-258-0		1403-	01	AB	IDN
							IDN
253		COVER; SW HOLE 8-98025-954-1		1312-1402	02	A	
		8-98025-954-1		1403-	02	AB	
		8-98025-954-1		1312-1402	01	A	

8-25

SWITCH AND RELAY; INSTRUMENT PANEL

KEY	R / C	PART NAME PART NUMBER	I T C	APPLIED DATE	Qty	APPLIED MODEL	RESTRICTION/REMARKS
							A FVR WIDE CAB(FGR5MV) B GVR WIDE CAB(GGR5MV)
253		8-98025-954-1		1312-1402	01	A	
		8-98025-954-1		1403-	01	AB	
		8-98025-954-1		1403-	01	AB	
257		COVER; HOLE, SW					
		8-98025-954-1		1312-1402	02	A	(C)
		8-98025-954-1		1403-	02	AB	(C)
		8-98025-954-1		1312-1402	07	A	(C)
		8-98025-954-1		1403-	07	AB	(C)
		8-98029-914-1		1312-1402	01	A	(B) IDN
		8-98029-914-1		1403-	01	AB	(B) IDN
		8-98029-917-0		1312-1402	01	A	(D) IDN
		8-98029-917-0		1403-	01	AB	(D) IDN
		8-98070-401-2		1312-1402	01	A	(A)
		8-98070-401-2		1403-	01	AB	(A)
		8-98025-954-1		1312-1402	01	A	EXC. TRANSMISSION SIDE PTO WO/LEVER(SH5) (C)
		8-98025-954-1		1403-1405	01	A	EXC. TRANSMISSION SIDE PTO WO/LEVER(SH5) (C)
		8-98025-954-1		1403-1405	01	B	(C)
		8-98025-954-1		1406-	01	A	EXC. PTO ZF TRANS RR(BDM), TRANSMISSION SIDE PTO WO /LEVER(SH5) (C)
		8-98025-954-1		1406-	01	B	(C)
317		RELAY; BLOWER MOTOR, HTR					
		8-97262-933-0		1312-1402	01	A	24V 12.5A MATSUSHITA
		8-97262-933-0		1403-	01	AB	24V 12.5A MATSUSHITA
359		SWITCH; TRAILER BRAKE					
		8-98010-857-0		1403-	01	B	
595		RELAY; IGNITION					

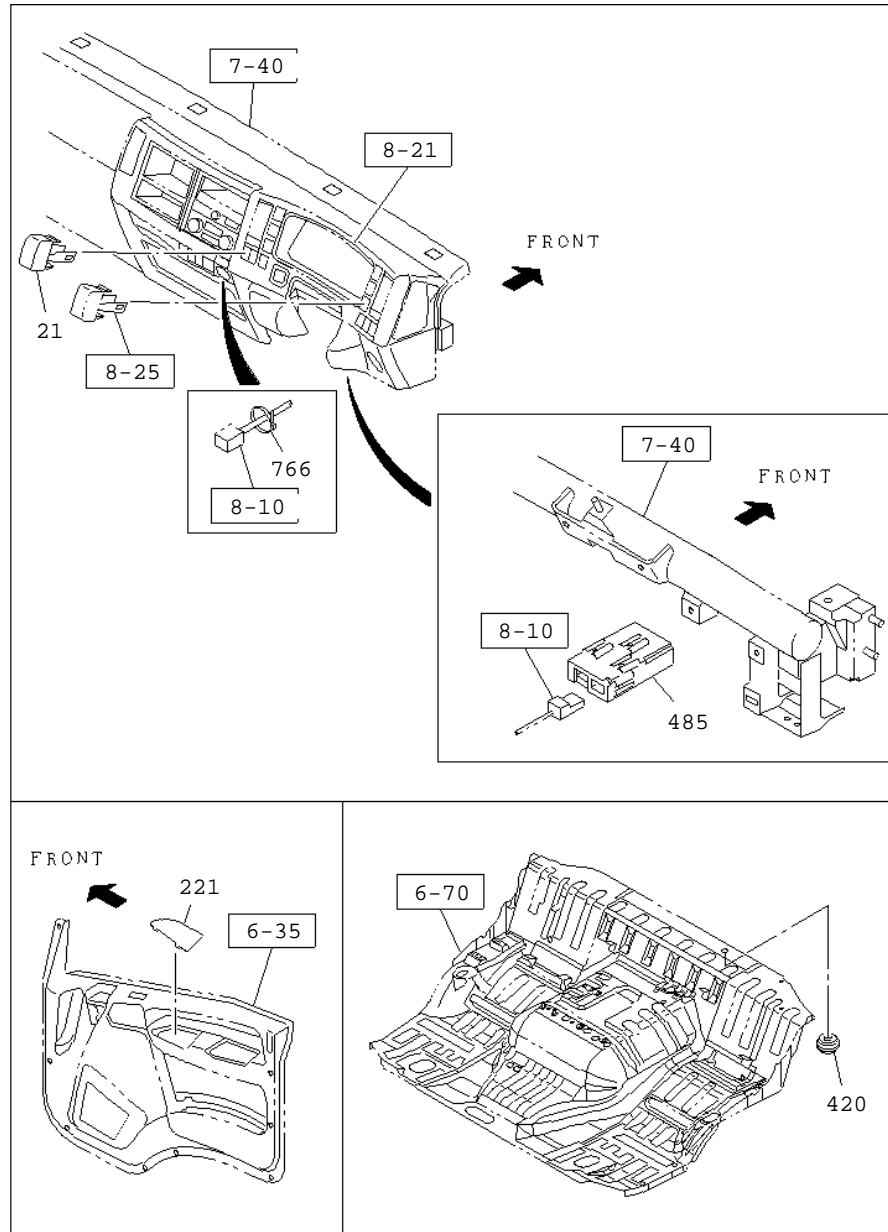
8-25

SWITCH AND RELAY; INSTRUMENT PANEL

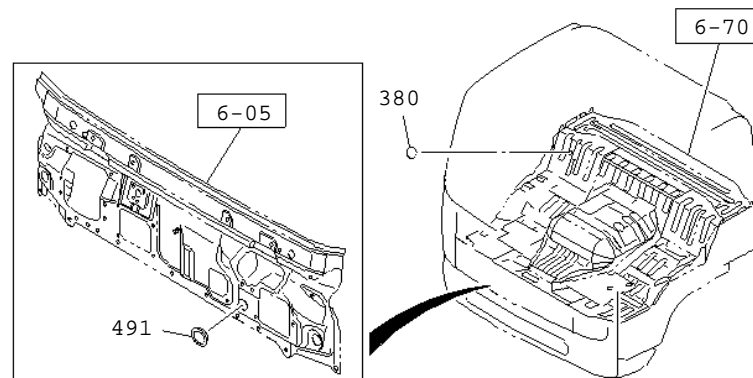
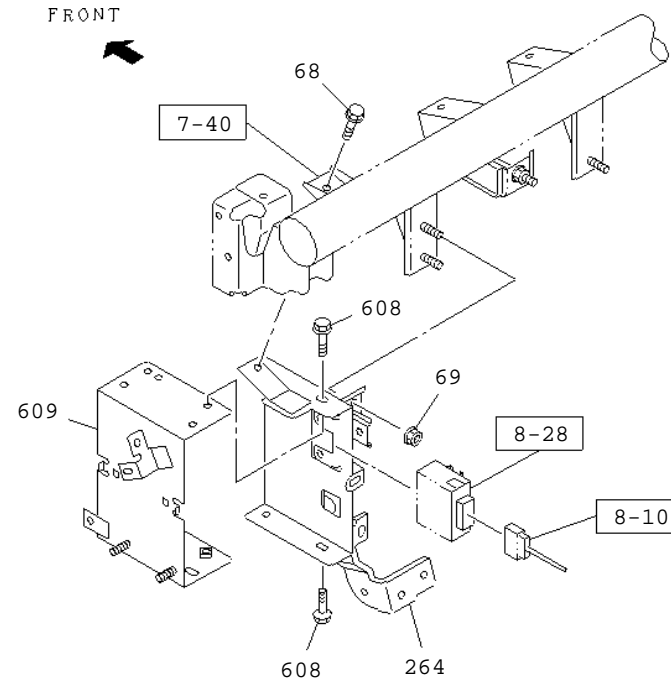
KEY	R / C	PART NAME PART NUMBER	I T C	APPLIED DATE	Qty	APPLIED MODEL	RESTRICTION/REMARKS
							A FVR WIDE CAB(FGR5MV) B GVR WIDE CAB(GGR5MV)
595		8-97173-035-1		1312-1402	01	A	24V 10A MATSUSHITA IDN
		8-97173-035-1		1403-	01	AB	24V 10A MATSUSHITA IDN
606		RELAY; PTO MAIN 8-97173-035-1		1312-1405	01	A	TRANSMISSION SIDE PTO WO/LEVER(SH5) 24V 10A MATSUSHITA IDN
		8-97173-035-1		1312-1405	01	A	TRANSMISSION SIDE PTO WO/LEVER(SH5) 24V 10A MATSUSHITA IDN
		8-97173-035-1		1406-	01	A	PTO ZF TRANS RR(BDM),TRANSMISSION SIDE PTO WO/LEVE R(SH5) 24V 10A MATSUSHITA IDN
		8-97173-035-1		1406-	01	A	PTO ZF TRANS RR(BDM),TRANSMISSION SIDE PTO WO/LEVE R(SH5) MANUAL TRANSMISSION<X9C> 24V 10A MATSUSHITA IDN
610		RELAY; KEY ON 8-97173-035-1		1312-1402	01	A	(B) 24V 10A MATSUSHITA IDN
		8-97173-035-1		1403-	01	AB	(B) 24V 10A MATSUSHITA IDN
		8-97262-933-0		1312-1402	01	A	(A) 24V 12.5A MATSUSHITA
		8-97262-933-0		1403-	01	AB	(A) 24V 12.5A MATSUSHITA
2-03		Move to 2-03					
3-10		Move to 3-10					
8-10		Move to 8-10					
8-26		Move to 8-26					
3-77		Move to 3-77					
6-20		Move to 6-20					
7-50		Move to 7-50					
8-28		Move to 8-28					

8-26 ELECTRICAL CONTROL AND OTHER PARTS

CONTROL UNIT; SPEED SENSOR

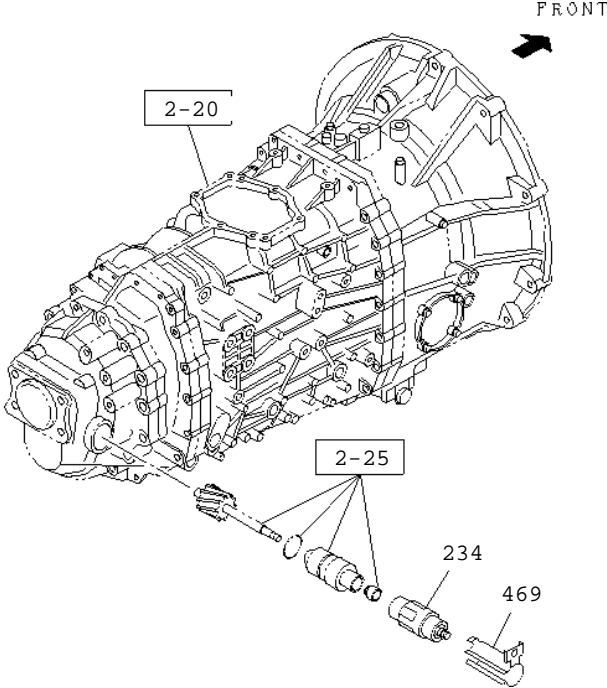


8-26 ELECTRICAL CONTROL AND OTHER PARTS
BRACKET AND OTHER PARTS



8-26 ELECTRICAL CONTROL AND OTHER PARTS

SENSOR;VEHICLE SPD

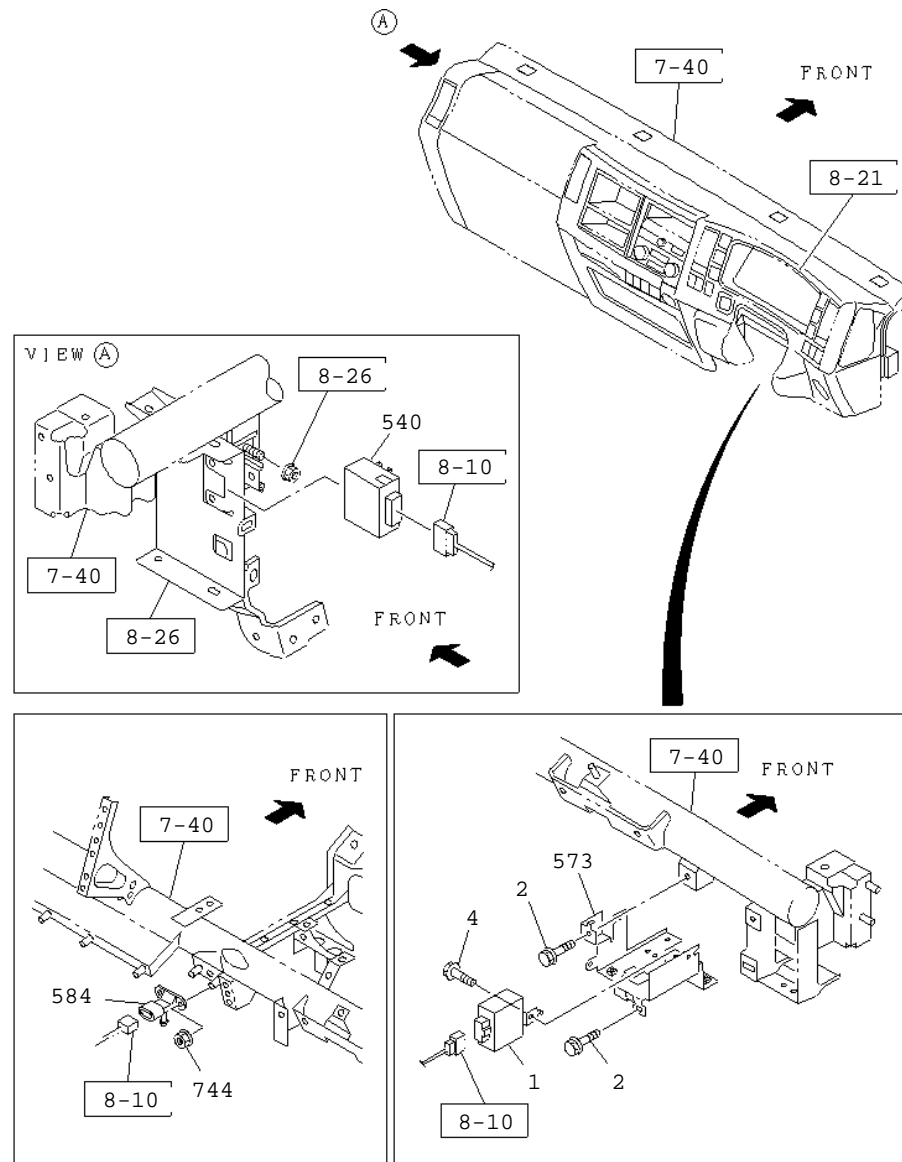


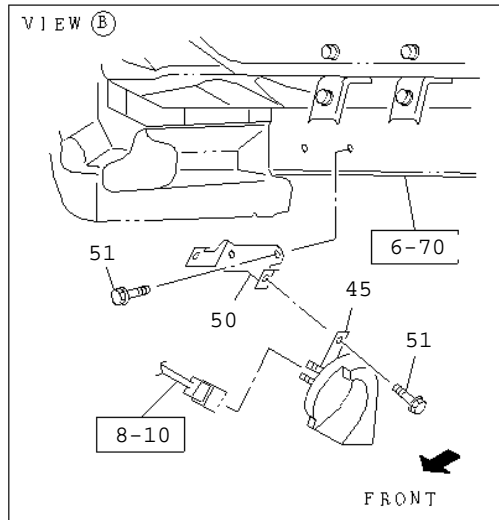
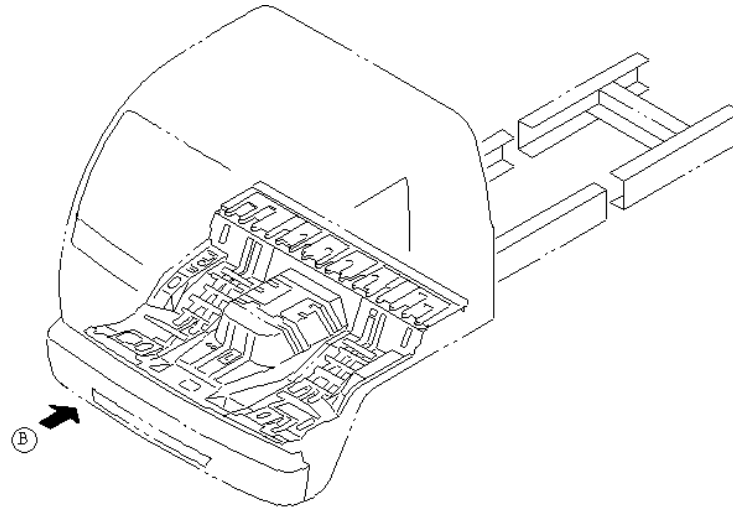
KEY	R / C	PART NAME PART NUMBER	I T C	APPLIED DATE	L / R	Qty	APPLIED MODEL	RESTRICTION/REMARKS	
								A FVR WIDE CAB(FGR5MV)	B GVR WIDE CAB(GGR5MV)
21		COVER; HOLE 8-98025-954-1		1312-1402		01	A		
		8-98025-954-1		1403-		01	AB		
68		BOLT; BRKT 0-28650-616-0		1312-1402		01	A		
		0-28650-616-0		1403-		01	AB	M6X16 FLANGE	
69		NUT; BRKT 0-91180-106-0		1312-1402		01	A		
		0-91180-106-0		1403-		01	AB	M6X16 FLANGE	
221		COVER; HOLE, DOOR LOCK SW 8-98029-915-2		1312-1402	R	01	A		
		8-98029-915-2		1403-	R	01	AB	IDN	
		8-98029-916-2		1312-1402	L	01	A	IDN	
		8-98029-916-2		1403-	L	01	AB	IDN	
234		SENSOR; VEHICLE SPD 8-97328-058-1		1312-1402		01	A		
		8-97328-058-1		1403-		01	AB	25 PULSE ALUMINUM	
264		BRACKET; CONT UNIT 8-98246-453-0		1402-1402		01	A		
		8-98246-453-0		1403-		01	AB	VIN MODEL YEAR 2014<VZE>	
		8-98249-082-1		1312-1401		01	A	VIN MODEL YEAR 2014<VZE>	
		8-98249-082-1		1402-1402		01	A	EXC. VIN MODEL YEAR 2014<VZE>	
		8-98249-082-1		1403-		01	AB	EXC. VIN MODEL YEAR 2014<VZE>	
380		SEAL 1-76798-019-0		1312-1402		01	A		
		1-76798-019-0		1403-		01	AB	OD=25 BLACK	
420		PLUG; SWITCH 8-94122-971-0		1312-1402		01	A		
		8-94122-971-0		1403-		01	AB	OD=35 IDN	
469		PROTECTOR; SPEED SENSOR 8-98119-901-0		1312-		01	A		
485		CONTROL UNIT; SPEED SENSOR						OD=35 IDN	

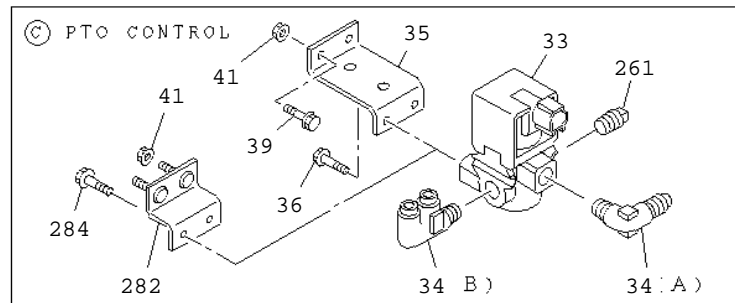
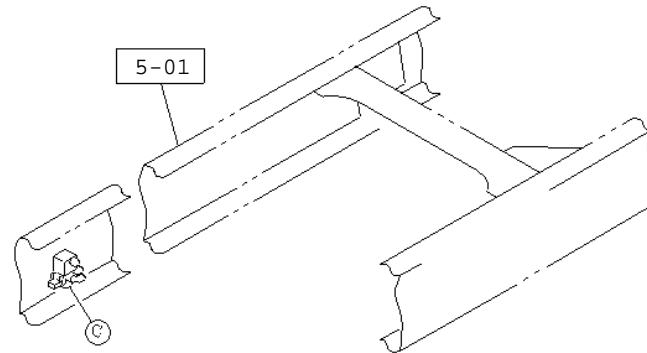
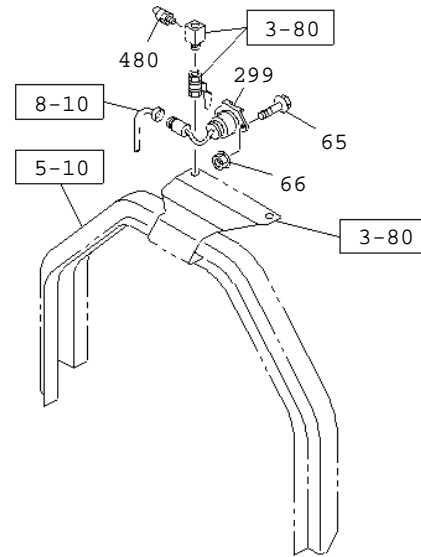
8-26

ELECTRICAL CONTROL AND OTHER PARTS

KEY	R / C	PART NAME PART NUMBER	I T C	APPLIED DATE	L / R	Qty	APPLIED MODEL	RESTRICTION/REMARKS
								A FVR WIDE CAB(FGR5MV) B GVR WIDE CAB(GGR5MV)
485		1-80190-063-0		1406-		01	A	ZF9S1110 DD M/T(Y5P)
491		PLUG; HOLE,CONT UNIT 8-98054-651-0		1312-1402		01	A	
		8-98054-651-0		1403-		01	AB	IDN
608		BOLT; CONT UNIT,AIR SUS 0-28650-616-0		1403-		05	B	IDN
609		BRACKET ASM; ELEC UNIT,AIR SUS 8-98250-445-0		1403-		01	B	M6X16 FLANGE
766		BAND; CLIP 5-09707-031-1		1312-1402		01	A	
		5-09707-031-1		1403-		01	AB	L=140 IDN
6-35		Move to 6-35						L=140 IDN
6-70		Move to 6-70						
7-40		Move to 7-40						
8-10		Move to 8-10						
8-21		Move to 8-21						
8-25		Move to 8-25						
6-05		Move to 6-05						
8-28		Move to 8-28						
2-20		Move to 2-20						
		Move to 2-20						
		Move to 2-20						
2-25		Move to 2-25						
		Move to 2-25						
		Move to 2-25						

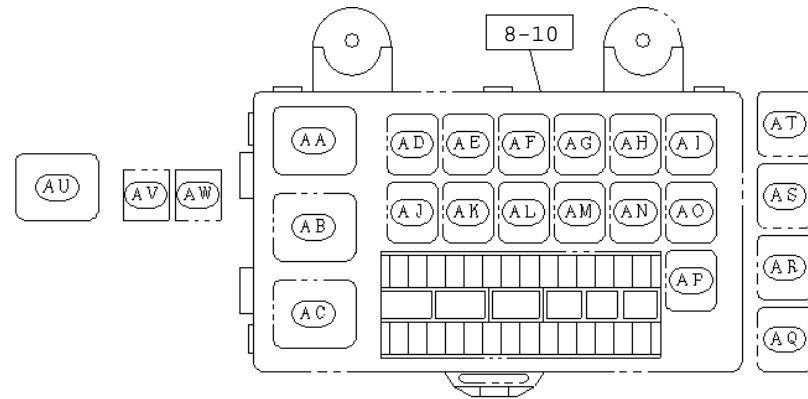






8-28 CHASSIS ELECTRICAL

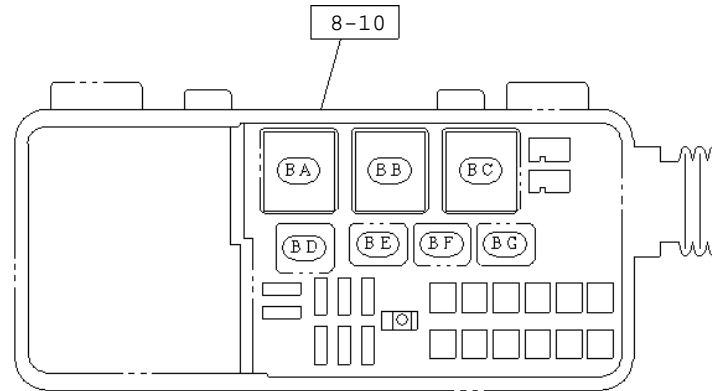
RELAY;CAB HARNESS



KEY NO.	RELAY NAME	KEY NO.	RELAY NAME
(AA) 22	STOP LAMP	(AM) 8-10	HEAD LAMP(LOW)
(AB) 8-25	BLOWER MOTOR, HEATER	(AN) —	—
(AC) 8-25	KEY ON	(AO) 8-10	HEAD LAMP(HI)
(AD) —	—	(AP) 8-10	TAIL
(AE) —	—	(AQ) 8-25	PTO MAIN
(AF) 8-10	WIPER MAIN	(AR) 8-25	PTO CUT
(AG) 8-10	HORN	(AS) 8-25	ACC MAIN
(AH) 8-10	WIPER(HI/LOW)	(AT) 8-25	IGNITION
(AI) —	—	(AU) 754	TRAILER STOP
(AJ) —	—	(AV) —	—
(AK) —	—	(AW) —	—
(AL) —	—		

8-28 CHASSIS ELECTRICAL

RELAY;FRAME HARNESS



	KEY NO.	RELAY NAME
(BA)	—	—
(BB)	531	MAIN
(BC)	—	—
(BD)	—	—
(BE)	—	—
(BF)	0-60	STARTER
(BG)	—	—

8-28

CHASSIS ELECTRICAL

KEY	R / C	PART NAME PART NUMBER	I T C	APPLIED DATE	Qty	APPLIED MODEL	RESTRICTION/REMARKS
							A FVR WIDE CAB (FGR5MV) B GVR WIDE CAB (GGR5MV)
1	B	UNIT; FLASHER 8-97613-970-1		1403-	01	B	
		8-98025-533-1		1312-	01	A	
2		BOLT; FLASHER UNIT 0-28650-616-0		1312-1402	02	A	M6X16 FLANGE
		0-28650-616-0		1403-	02	AB	M6X16 FLANGE
4		SCREW; FLASHER UNIT 0-28650-616-0		1312-1402	01	A	BOLT M6X16 FLANGE
		0-28650-616-0		1403-	01	AB	BOLT M6X16 FLANGE
22		RELAY; STOP LAMP 8-97262-933-0		1312-1402	01	A	24V 12.5A MATSUSHITA
		8-97262-933-0		1403-	01	AB	24V 12.5A MATSUSHITA
33		VALVE; MAG,PTO CONT 8-97948-152-0		1312-	01	A	PTO CONTROL<SV6> IDN
34		CONNECTOR; MAG VLV, INL PORT 1-09650-430-0		1312-	01	A	PTO CONTROL<SV6> (A) M12 & PT1/4 ELBOW
		8-98179-708-0		1312-	01	A	PTO CONTROL<SV6> (B)
35		BRACKET; MAG VLV,PTO CONT 8-98154-633-0		1312-	01	A	PTO CONTROL<SV6>
36		BOLT; MAG VLV,PTO CONT 0-28650-820-0		1312-	02	A	PTO CONTROL<SV6> M8X20 FLANGE IDN
39		BOLT; BRKT,MAG VLV 0-28650-835-0		1312-	02	A	PTO CONTROL<SV6> M8X35 FLANGE
41		NUT; BRKT,MAG VLV 0-91180-108-0		1312-	02	A	PTO CONTROL<SV6> M8 FLANGE
45		HORN; LOW NOTE 8-98022-023-0		1312-1402	01	A	IDN
		8-98022-023-0		1403-	01	AB	IDN
50		BRACKET; HORN 8-97613-300-2		1312-1402	01	A	

8-28

CHASSIS ELECTRICAL

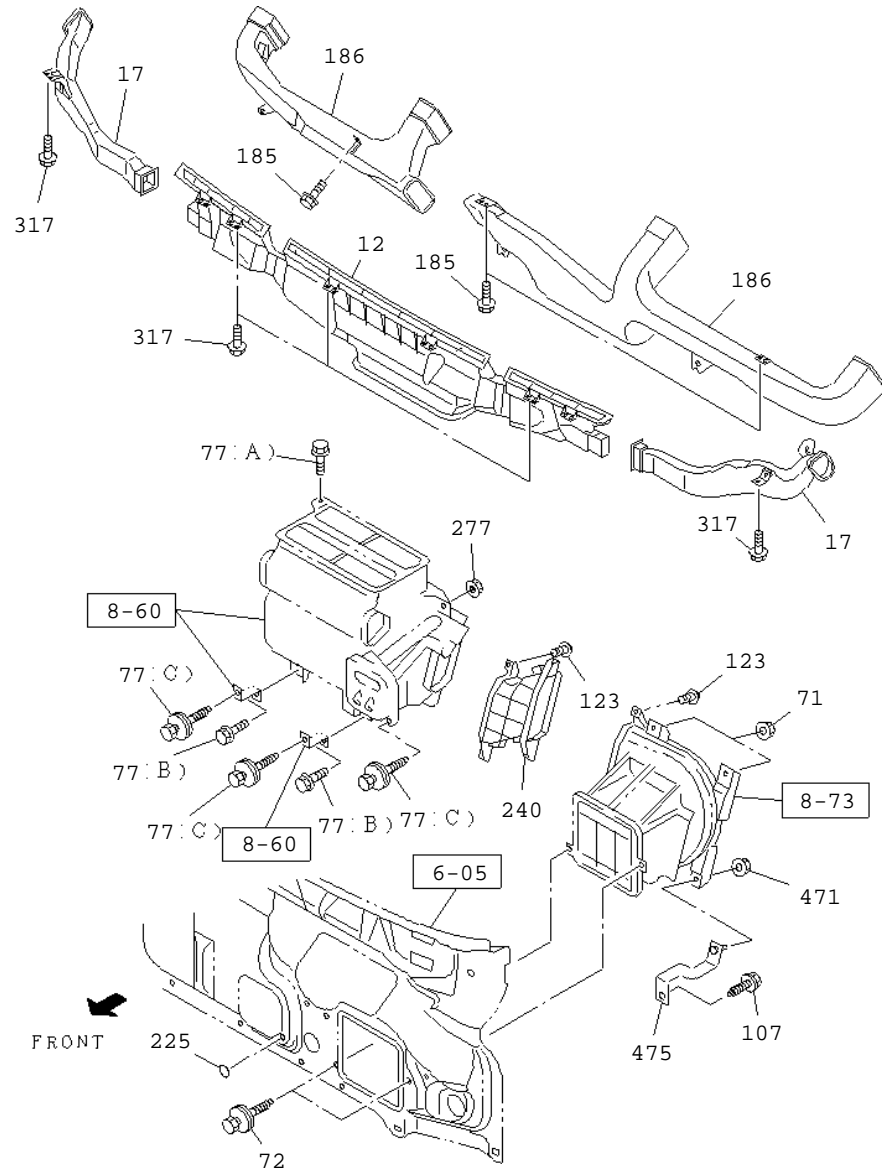
KEY	R / C	PART NAME PART NUMBER	I T C	APPLIED DATE	Qty	APPLIED MODEL	RESTRICTION/REMARKS
							A FVR WIDE CAB(FGR5MV) B GVR WIDE CAB(GGR5MV)
50		8-97613-300-2		1403-	01	AB	
51		BOLT; HORN TO BRKT 8-97086-825-0		1312-1402	03	A	
		8-97086-825-0		1403-	03	AB	M8X20 W/LK&PL WASHER IDN
65		BOLT; SOCKET FIX 0-28650-825-0		1403-	02	B	M8X20 W/LK&PL WASHER IDN
66		NUT; SOCKET FIX 0-91180-108-0		1403-	02	B	M8X25 FLANGE IDN
261		PLUG; MAG VLV 9-99204-513-0		1312-	01	A	M8 FLANGE
282		BRACKET; MAG VLV 8-98184-201-0		1406-	01	A	PTO CONTROL<SV6> PT1/4
284		BOLT; MAG VLV 0-28650-820-0		1406-	02	A	ZF9S1110 DD M/T(Y5P) PTO CONTROL<SV6> IDN
299		SOCKET; PARKING 1-82523-014-0		1403-	01	B	ZF9S1110 DD M/T(Y5P) PTO CONTROL<SV6> M8X20 FLANGE IDN
480		SWITCH; TRAILER COCK 8-98010-858-0		1403-	01	B	7P
531		RELAY; MAIN 8-97238-540-0		1312-1402	01	A	
		8-97238-540-0	C	1403-1403	01	AB	24V 30A JIDECO
		8-98259-779-0		1403-	01	AB	24V 30A JIDECO
540		RELAY; WIPER INTERVAL 8-98233-976-0		1312-1402	01	A	24V 30A MITSUBA
		8-98233-976-0		1403-	01	AB	
573		BRACKET; FLASHER UNIT 8-98246-458-0		1312-1402	01	A	
		8-98246-458-0		1403-	01	AB	
584		SENSOR; PRESSURE 8-98020-514-0		1312-1402	01	A	
		8-98020-514-0		1403-	01	AB	

8-28

CHASSIS ELECTRICAL

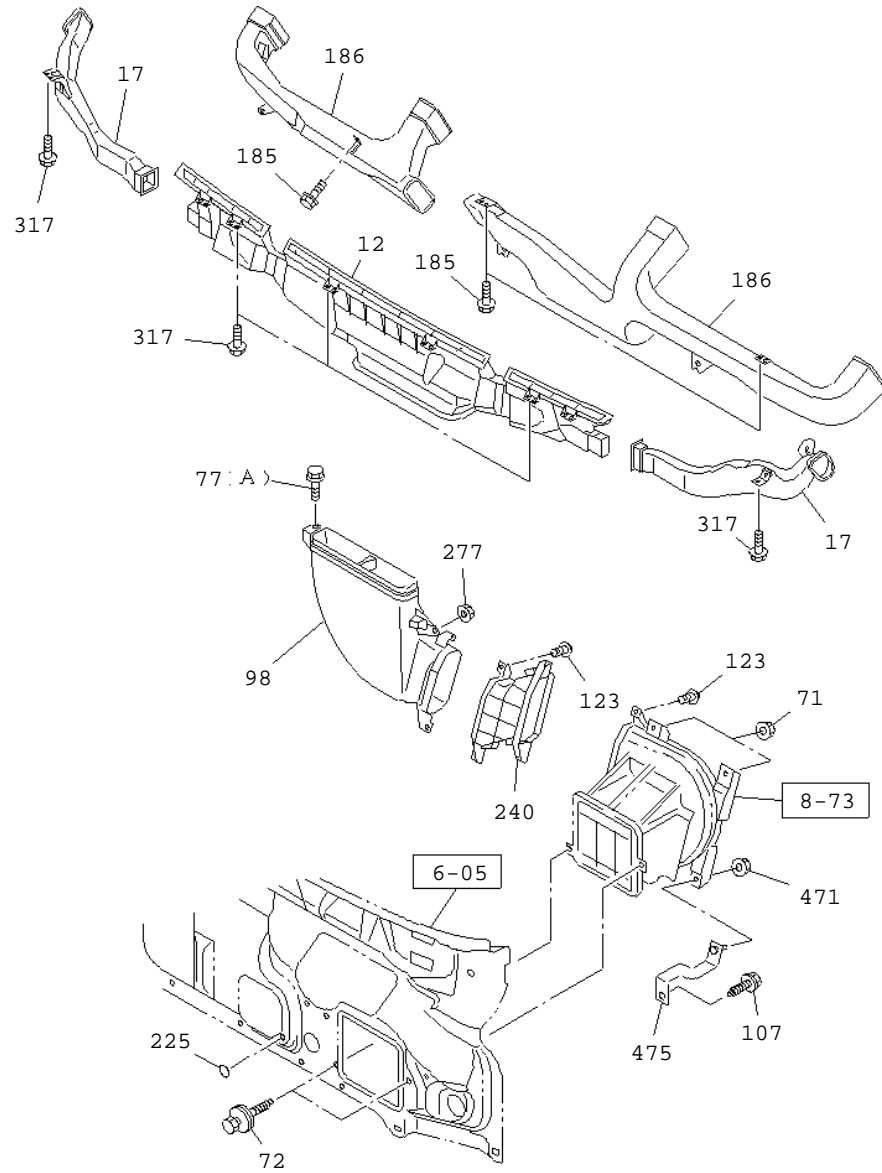
KEY	R / C	PART NAME PART NUMBER	I T C	APPLIED DATE	Qty	APPLIED MODEL	RESTRICTION/REMARKS
							A FVR WIDE CAB(FGR5MV) B GVR WIDE CAB(GGR5MV)
744		NUT; SENSOR 0-91180-106-0		1312-1402	02	A	
		0-91180-106-0		1403-	02	AB	M6 FLANGE
754		RELAY; TRAILER STOP 8-97262-933-0		1403-	01	B	M6 FLANGE
							24V 12.5A MATSUSHITA
7-40		Move to 7-40					
8-10		Move to 8-10					
8-21		Move to 8-21					
8-26		Move to 8-26					
6-70		Move to 6-70					
3-80		Move to 3-80					
5-01		Move to 5-01					
5-10		Move to 5-10					
8-25		Move to 8-25					
0-60		Move to 0-60					

8-40 HEATER SYSTEM
DUCT;EXC.VIN MODEL YEAR 2014



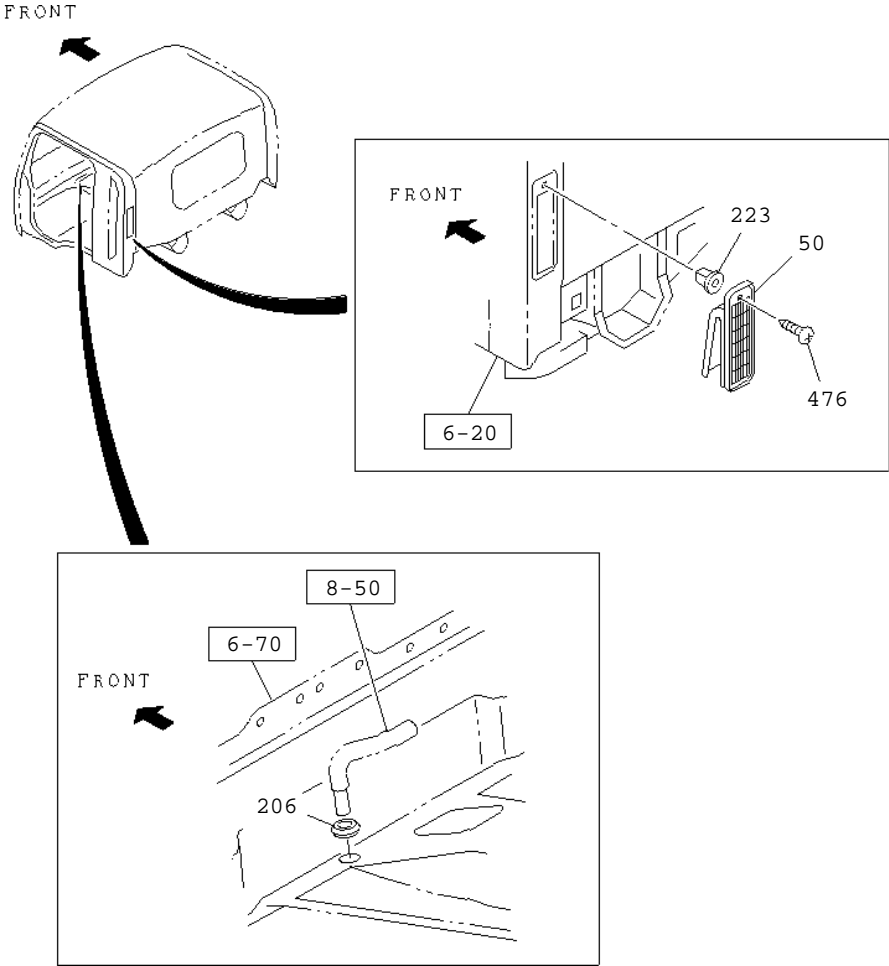
8-40 HEATER SYSTEM

DUCT;VIN MODEL YEAR 2014



8-40 HEATER SYSTEM

OTHER PARTS



8-40

HEATER SYSTEM

KEY	R / C	PART NAME PART NUMBER	I T C	APPLIED DATE	L / R	Qty	APPLIED MODEL	RESTRICTION/REMARKS
								A FVR WIDE CAB(FGR5MV) B GVR WIDE CAB(GGR5MV)
12		NOZZLE; DEFROSTER 8-98040-009-3 8-98040-009-3 8-98040-009-3		1312-1401 1402-1402 1403-		01 01 01	A A AB	VENTILATOR & DEFROSTER WO/HEATER<SAZ> VENTILATOR & DEFROSTER WO/HEATER<SAZ> EXC. VIN MODEL YEAR 2014<VZE> VENTILATOR & DEFROSTER WO/HEATER<SAZ> EXC. VIN MODEL YEAR 2014<VZE>
17		NOZZLE; DEFROSTER,SIDE 8-98040-018-1 8-98040-018-1 8-98040-018-1 8-98040-013-1 8-98040-013-1 8-98040-013-1		1312-1401 1402-1402 1403- 1312-1401 1402-1402 1403-	L L L R R R	01 01 01 01 01 01	A A AB A A AB	VENTILATOR & DEFROSTER WO/HEATER<SAZ> VENTILATOR & DEFROSTER WO/HEATER<SAZ> EXC. VIN MODEL YEAR 2014<VZE> VENTILATOR & DEFROSTER WO/HEATER<SAZ> EXC. VIN MODEL YEAR 2014<VZE> VENTILATOR & DEFROSTER WO/HEATER<SAZ> EXC. VIN MODEL YEAR 2014<VZE> VENTILATOR & DEFROSTER WO/HEATER<SAZ> EXC. VIN MODEL YEAR 2014<VZE> VENTILATOR & DEFROSTER WO/HEATER<SAZ> EXC. VIN MODEL YEAR 2014<VZE> VENTILATOR & DEFROSTER WO/HEATER<SAZ> EXC. VIN MODEL YEAR 2014<VZE>
50		VALVE ASM; HTR 8-97925-112-0 8-97925-112-0		1312-1402 1403-		01 01	A AB	IDN IDN
71		NUT; BLOWER UNIT TO DASH 0-91180-106-0 0-91180-106-0		1312-1402 1403-		02 02	A AB	VENTILATOR & DEFROSTER WO/HEATER<SAZ> M6 FLANGE VENTILATOR & DEFROSTER WO/HEATER<SAZ> M6 FLANGE
72		BOLT; BLOWER UNIT 8-98081-175-0 8-98081-175-0		1312-1402 1403-		02 02	A AB	VENTILATOR & DEFROSTER WO/HEATER<SAZ> M6X20 W/LK&PL WASHER VENTILATOR & DEFROSTER WO/HEATER<SAZ> M6X20 W/LK&PL WASHER
77		BOLT; HTR UNIT 0-28650-616-0 0-28650-616-0 0-28650-620-0 0-28650-620-0		1312-1402 1403- 1312-1401 1402-1402		01 01 02 02	A AB A A	VENTILATOR & DEFROSTER WO/HEATER<SAZ> (A) M6X16 FLANGE VENTILATOR & DEFROSTER WO/HEATER<SAZ> (A) M6X16 FLANGE VENTILATOR & DEFROSTER WO/HEATER<SAZ> (B) M6X20 FLANGE IDN VENTILATOR & DEFROSTER WO/HEATER<SAZ> EXC. VIN MODEL YEAR 2014<VZE> (B) M6X20 FLANGE IDN

8-40

HEATER SYSTEM

KEY	R / C	PART NAME PART NUMBER	I T C	APPLIED DATE	L / R	Qty	APPLIED MODEL	RESTRICTION/REMARKS
								A FVR WIDE CAB(FGR5MV) B GVR WIDE CAB(GGR5MV)
77		0-28650-620-0		1403-		02	AB	VENTILATOR & DEFROSTER WO/HEATER<SAZ> EXC. VIN MODEL YEAR 2014<VZE> (B) M6X20 FLANGE IDN
		8-98081-175-0		1312-1401		02	A	VENTILATOR & DEFROSTER WO/HEATER<SAZ> (C) M6X20 W/LK&PL WASHER
		8-98081-175-0		1402-1402		02	A	VENTILATOR & DEFROSTER WO/HEATER<SAZ> EXC. VIN MODEL YEAR 2014<VZE> (C) M6X20 W/LK&PL WASHER
		8-98081-175-0		1403-		02	AB	VENTILATOR & DEFROSTER WO/HEATER<SAZ> EXC. VIN MODEL YEAR 2014<VZE> (C) M6X20 W/LK&PL WASHER
98		DUCT; BLOWER UNIT TO HTR UNIT 8-97520-909-0		1402-1402		01	A	VENTILATOR & DEFROSTER WO/HEATER<SAZ> VIN MODEL YEAR 2014<VZE> IDN
		8-97520-909-0		1403-		01	AB	VENTILATOR & DEFROSTER WO/HEATER<SAZ> VIN MODEL YEAR 2014<VZE> IDN
107		BOLT; STAY,HTR UNIT 8-98018-439-0		1312-1402		01	A	VENTILATOR & DEFROSTER WO/HEATER<SAZ> M8X25 W/LK&PL WASHER
		8-98018-439-0		1403-		01	AB	VENTILATOR & DEFROSTER WO/HEATER<SAZ> M8X25 W/LK&PL WASHER
123		SCREW; DUCT 0-72180-516-0		1312-1402		04	A	VENTILATOR & DEFROSTER WO/HEATER<SAZ> M5X16 TAPPING
		0-72180-516-0		1403-		04	AB	VENTILATOR & DEFROSTER WO/HEATER<SAZ> M5X16 TAPPING
185		SCREW; VENT DUCT 0-72180-516-0		1312-1402		04	A	VENTILATOR & DEFROSTER WO/HEATER<SAZ> M5X16 TAPPING
		0-72180-516-0		1403-		04	AB	VENTILATOR & DEFROSTER WO/HEATER<SAZ> M5X16 TAPPING
186		DUCT; VENTILATOR 8-97585-489-4		1312-1402	L	01	A	VENTILATOR & DEFROSTER WO/HEATER<SAZ>
		8-97585-489-4		1403-	L	01	AB	VENTILATOR & DEFROSTER WO/HEATER<SAZ>
		8-98174-737-0		1312-1402	R	01	A	VENTILATOR & DEFROSTER WO/HEATER<SAZ>
		8-98174-737-0		1403-	R	01	AB	VENTILATOR & DEFROSTER WO/HEATER<SAZ>
206		GROMMET; A/C PIPE TO BLOWER UNIT 8-98019-649-0		1312-1401		01	A	VENTILATOR & DEFROSTER WO/HEATER<SAZ> IDN

8-40

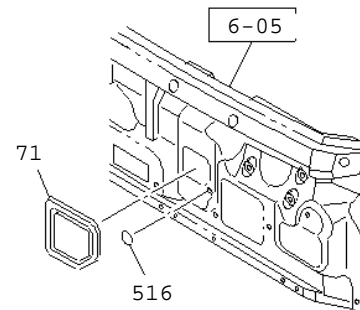
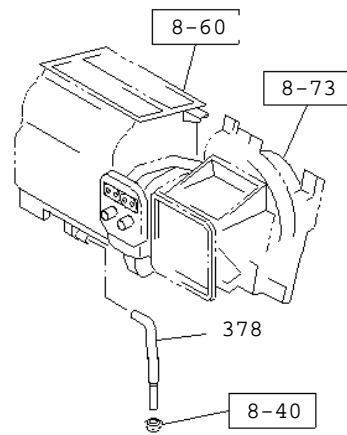
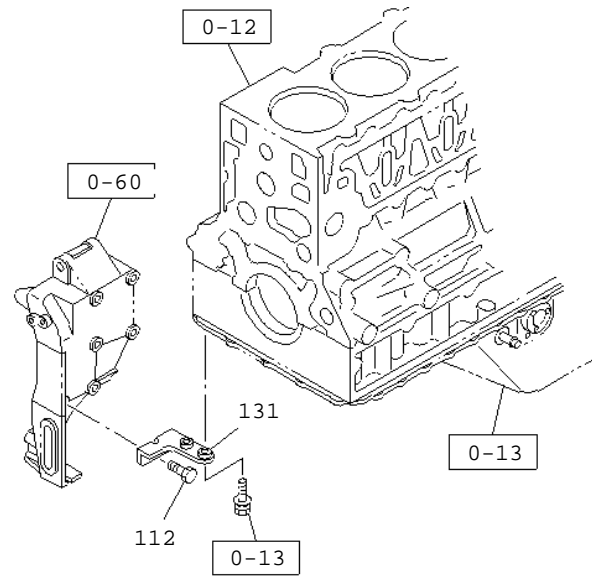
HEATER SYSTEM

KEY	R / C	PART NAME PART NUMBER	I T C	APPLIED DATE	L / R	Qty	APPLIED MODEL	RESTRICTION/REMARKS
								A FVR WIDE CAB(FGR5MV) B GVR WIDE CAB(GGR5MV)
206		8-98019-649-0		1402-1402		01	A	VENTILATOR & DEFROSTER WO/HEATER<SAZ> EXC. VIN MODEL YEAR 2014<VZE> IDN
		8-98019-649-0		1403-		01	AB	VENTILATOR & DEFROSTER WO/HEATER<SAZ> EXC. VIN MODEL YEAR 2014<VZE> IDN
223		GROMMET; SCREW 8-94441-539-0		1312-1402		01	A	D=7.9X7.9 L=20 M5 IDN
		8-94441-539-0		1403-		01	AB	D=7.9X7.9 L=20 M5 IDN
225		SEAL; WATER 1-76798-019-0		1402-1402		01	A	VENTILATOR & DEFROSTER WO/HEATER<SAZ> EXC. VIN MODEL YEAR 2014<VZE> OD=25 BLACK
		1-76798-019-0		1403-		01	AB	VENTILATOR & DEFROSTER WO/HEATER<SAZ> EXC. VIN MODEL YEAR 2014<VZE> OD=25 BLACK
		1-76798-019-0		1312-1401		01	A	VENTILATOR & DEFROSTER WO/HEATER<SAZ> OD=25 BLACK
		1-76798-019-0		1402-1402		03	A	VENTILATOR & DEFROSTER WO/HEATER<SAZ> VIN MODEL YEAR 2014<VZE> OD=25 BLACK
		1-76798-019-0		1403-		03	AB	VENTILATOR & DEFROSTER WO/HEATER<SAZ> VIN MODEL YEAR 2014<VZE> OD=25 BLACK
240		DUCT; AIR,HTR 8-98041-402-1		1312-1402		01	A	VENTILATOR & DEFROSTER WO/HEATER<SAZ>
		8-98041-402-1		1403-		01	AB	VENTILATOR & DEFROSTER WO/HEATER<SAZ>
277		NUT; HTR 0-91180-106-0		1312-1402		01	A	VENTILATOR & DEFROSTER WO/HEATER<SAZ> M6 FLANGE
		0-91180-106-0		1403-		01	AB	VENTILATOR & DEFROSTER WO/HEATER<SAZ> M6 FLANGE
317		SCREW; DEFROSTER NOZZLE 0-72180-516-0		1312-1401		08	A	VENTILATOR & DEFROSTER WO/HEATER<SAZ> M5X16 TAPPING
		0-72180-516-0		1402-1402		08	A	VENTILATOR & DEFROSTER WO/HEATER<SAZ> EXC. VIN MODEL YEAR 2014<VZE> M5X16 TAPPING
		0-72180-516-0		1403-		08	AB	VENTILATOR & DEFROSTER WO/HEATER<SAZ> EXC. VIN MODEL YEAR 2014<VZE> M5X16 TAPPING
471		NUT; BLOWER 0-91180-106-0		1312-1402		01	A	VENTILATOR & DEFROSTER WO/HEATER<SAZ> M6 FLANGE

8-40

HEATER SYSTEM

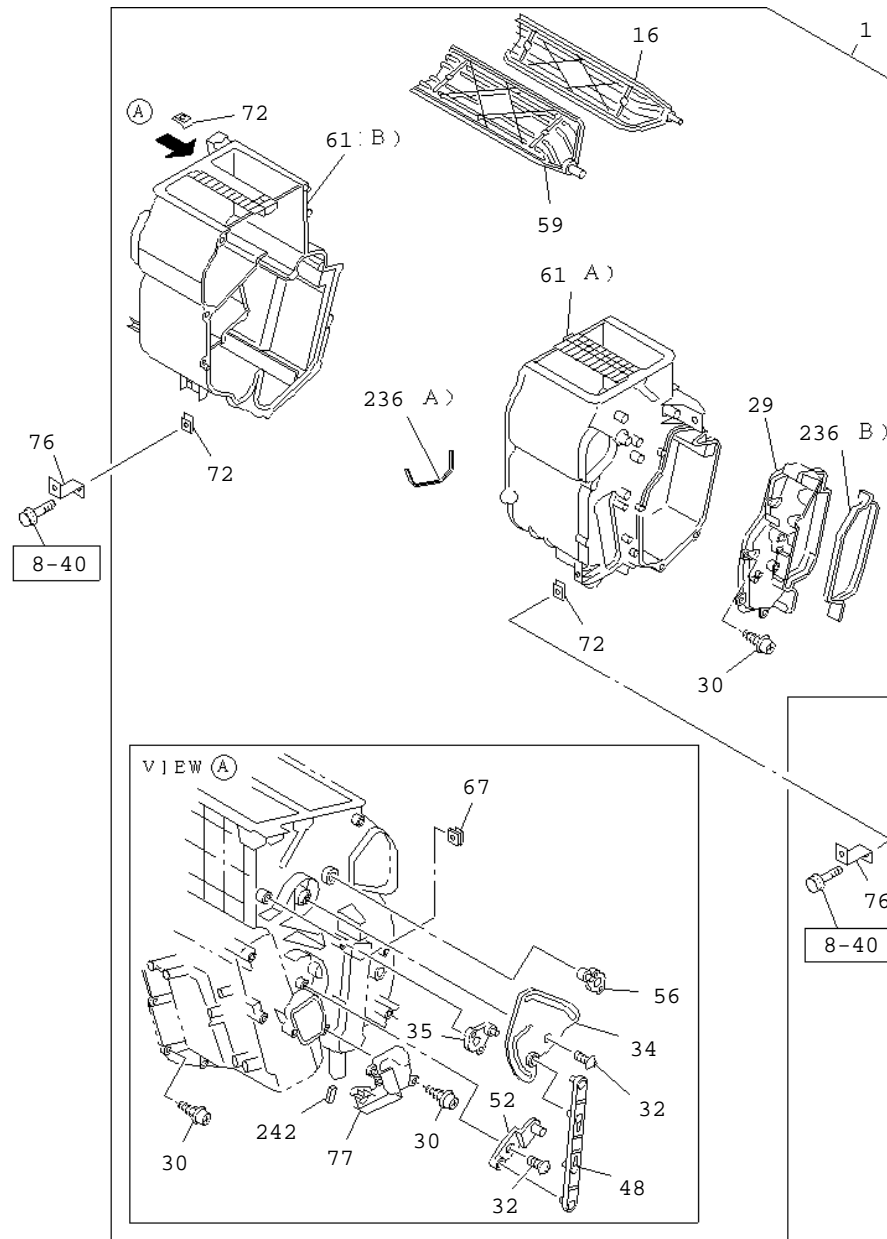
KEY	R / C	PART NAME PART NUMBER	I T C	APPLIED DATE	L / R	Qty	APPLIED MODEL	RESTRICTION/REMARKS
								A FVR WIDE CAB(FGR5MV) B GVR WIDE CAB(GGR5MV)
471		0-91180-106-0		1403-		01	AB	VENTILATOR & DEFROSTER WO/HEATER<SAZ> M6 FLANGE
475		BRACKET; BLOWER 8-98043-500-1		1312-1402		01	A	VENTILATOR & DEFROSTER WO/HEATER<SAZ>
		8-98043-500-1		1403-		01	AB	VENTILATOR & DEFROSTER WO/HEATER<SAZ>
476		SCREW; VALVE 8-98062-675-0		1312-1402		01	A	M5X16 HEX SOCKET IDN
		8-98062-675-0		1403-		01	AB	M5X16 HEX SOCKET IDN
6-05		Move to 6-05						
8-60		Move to 8-60						
8-73		Move to 8-73						
6-20		Move to 6-20						
6-70		Move to 6-70						
8-50		Move to 8-50						



8-50

AIR CONDITIONING SYSTEM; FRONT

KEY	R / C	PART NAME PART NUMBER	I T C	APPLIED DATE	Qty	APPLIED MODEL	RESTRICTION/REMARKS
							A FVR WIDE CAB(FGR5MV) B GVR WIDE CAB(GGR5MV)
71		COVER; EVAP,A/C 8-98017-234-1		1312-1402	01	A	VENTILATOR & DEFROSTER WO/HEATER<SAZ> IDN
		8-98017-234-1		1403-	01	AB	VENTILATOR & DEFROSTER WO/HEATER<SAZ> IDN
112		BOLT; STAY 0-28050-816-0		1312-1402	02	A	
		0-28050-816-0		1403-	02	AB	M8X16 FLANGE
131		STAY; CMPR BRKT 8-94393-451-0		1312-1402	01	A	
		8-94393-451-0		1403-1405	01	A	VENTILATOR & DEFROSTER WO/HEATER<SAZ>
		8-94393-451-0		1403-1405	01	B	
		8-94393-451-0		1406-	01	AB	
378		HOSE; DRAIN,EVAPORATOR 8-98041-428-0		1312-1401	01	A	VENTILATOR & DEFROSTER WO/HEATER<SAZ>
		8-98041-428-0		1402-1402	01	A	VENTILATOR & DEFROSTER WO/HEATER<SAZ> EXC. VIN MODEL YEAR 2014<VZE>
		8-98041-428-0		1403-	01	AB	VENTILATOR & DEFROSTER WO/HEATER<SAZ> EXC. VIN MODEL YEAR 2014<VZE>
516		SEAL; A/C 1-76798-019-0		1402-1402	01	A	VENTILATOR & DEFROSTER WO/HEATER<SAZ> VIN MODEL YEAR 2014<VZE> OD=25 BLACK
		1-76798-019-0		1403-	01	AB	VENTILATOR & DEFROSTER WO/HEATER<SAZ> VIN MODEL YEAR 2014<VZE> OD=25 BLACK
0-12		Move to 0-12					
0-13		Move to 0-13					
0-60		Move to 0-60					
6-05		Move to 6-05					
8-40		Move to 8-40					
8-60		Move to 8-60					
8-73		Move to 8-73					



8-60

HEATER UNIT; FRONT

KEY	R / C	PART NAME PART NUMBER	I T C	APPLIED DATE	Qty	APPLIED MODEL	RESTRICTION/REMARKS
							A FVR WIDE CAB(FGR5MV) B GVR WIDE CAB(GGR5MV)
1		HEATER UNIT 8-98214-400-0 8-98214-400-0 8-98214-400-0		1312-1401 1402-1402 1403-	01 01 01	A A AB	VENTILATOR & DEFROSTER WO/HEATER<SAZ> VENTILATOR & DEFROSTER WO/HEATER<SAZ> EXC. VIN MODEL YEAR 2014<VZE> VENTILATOR & DEFROSTER WO/HEATER<SAZ> EXC. VIN MODEL YEAR 2014<VZE>
16		SHUTTER; HTR UNIT,CENTER UPR 8-98047-387-0 8-98047-387-0 8-98047-387-0		1312-1401 1402-1402 1403-	01 01 01	A A AB	VENTILATOR & DEFROSTER WO/HEATER<SAZ> VENTILATOR & DEFROSTER WO/HEATER<SAZ> EXC. VIN MODEL YEAR 2014<VZE> VENTILATOR & DEFROSTER WO/HEATER<SAZ> EXC. VIN MODEL YEAR 2014<VZE>
29		COVER; HTR UNIT 8-98231-367-0 8-98231-367-0 8-98231-367-0		1312-1401 1402-1402 1403-	01 01 01	A A AB	VENTILATOR & DEFROSTER WO/HEATER<SAZ> VENTILATOR & DEFROSTER WO/HEATER<SAZ> EXC. VIN MODEL YEAR 2014<VZE> VENTILATOR & DEFROSTER WO/HEATER<SAZ> EXC. VIN MODEL YEAR 2014<VZE>
30		SCREW; HTR UNIT 8-97957-708-0 8-97957-708-0 8-97957-708-0		1312-1401 1402-1402 1403-	20 20 20	A A AB	VENTILATOR & DEFROSTER WO/HEATER<SAZ> M4X16 TAPPING IDN VENTILATOR & DEFROSTER WO/HEATER<SAZ> EXC. VIN MODEL YEAR 2014<VZE> M4X16 TAPPING IDN VENTILATOR & DEFROSTER WO/HEATER<SAZ> EXC. VIN MODEL YEAR 2014<VZE> M4X16 TAPPING IDN
32		SCREW; HTR UNIT 8-98047-416-0 8-98047-416-0 8-98047-416-0		1312-1401 1402-1402 1403-	02 02 02	A A AB	VENTILATOR & DEFROSTER WO/HEATER<SAZ> M4X16 VENTILATOR & DEFROSTER WO/HEATER<SAZ> EXC. VIN MODEL YEAR 2014<VZE> M4X16 VENTILATOR & DEFROSTER WO/HEATER<SAZ> EXC. VIN MODEL YEAR 2014<VZE> M4X16
34		LEVER; SHUTTER,HTR UNIT 8-98047-389-0 8-98047-389-0 8-98047-389-0		1312-1401 1402-1402 1403-	01 01 01	A A AB	VENTILATOR & DEFROSTER WO/HEATER<SAZ> VENTILATOR & DEFROSTER WO/HEATER<SAZ> EXC. VIN MODEL YEAR 2014<VZE> VENTILATOR & DEFROSTER WO/HEATER<SAZ> EXC. VIN MODEL YEAR 2014<VZE>
35		LEVER; SHUTTER,HTR UNIT 8-98047-392-0		1312-1401	01	A	VENTILATOR & DEFROSTER WO/HEATER<SAZ>

11566 FVR/GVR(INDONESIA) 2014-

8-60

HEATER UNIT; FRONT

KEY	R / C	PART NAME PART NUMBER	I T C	APPLIED DATE	Qty	APPLIED MODEL	RESTRICTION/REMARKS
							A FVR WIDE CAB(FGR5MV) B GVR WIDE CAB(GGR5MV)
35		8-98047-392-0		1402-1402	01	A	VENTILATOR & DEFROSTER WO/HEATER<SAZ> EXC. VIN MODEL YEAR 2014<VZE>
		8-98047-392-0		1403-	01	AB	VENTILATOR & DEFROSTER WO/HEATER<SAZ> EXC. VIN MODEL YEAR 2014<VZE>
48		LEVER; HTR UNIT 8-98047-391-0		1312-1401	01	A	VENTILATOR & DEFROSTER WO/HEATER<SAZ> EXC. VIN MODEL YEAR 2014<VZE>
		8-98047-391-0		1402-1402	01	A	VENTILATOR & DEFROSTER WO/HEATER<SAZ> EXC. VIN MODEL YEAR 2014<VZE>
		8-98047-391-0		1403-	01	AB	VENTILATOR & DEFROSTER WO/HEATER<SAZ> EXC. VIN MODEL YEAR 2014<VZE>
52		LEVER; SHUTTER,HTR UNIT 8-98047-390-0		1312-1401	01	A	VENTILATOR & DEFROSTER WO/HEATER<SAZ> EXC. VIN MODEL YEAR 2014<VZE>
		8-98047-390-0		1402-1402	01	A	VENTILATOR & DEFROSTER WO/HEATER<SAZ> EXC. VIN MODEL YEAR 2014<VZE>
		8-98047-390-0		1403-	01	AB	VENTILATOR & DEFROSTER WO/HEATER<SAZ> EXC. VIN MODEL YEAR 2014<VZE>
56		LEVER; SHUTTER,HTR UNIT 8-98047-393-0		1312-1401	01	A	VENTILATOR & DEFROSTER WO/HEATER<SAZ> EXC. VIN MODEL YEAR 2014<VZE>
		8-98047-393-0		1402-1402	01	A	VENTILATOR & DEFROSTER WO/HEATER<SAZ> EXC. VIN MODEL YEAR 2014<VZE>
		8-98047-393-0		1403-	01	AB	VENTILATOR & DEFROSTER WO/HEATER<SAZ> EXC. VIN MODEL YEAR 2014<VZE>
59		SHUTTER; HTR UNIT,SIDE 8-98047-386-0		1312-1401	01	A	VENTILATOR & DEFROSTER WO/HEATER<SAZ> EXC. VIN MODEL YEAR 2014<VZE>
		8-98047-386-0		1402-1402	01	A	VENTILATOR & DEFROSTER WO/HEATER<SAZ> EXC. VIN MODEL YEAR 2014<VZE>
		8-98047-386-0		1403-	01	AB	VENTILATOR & DEFROSTER WO/HEATER<SAZ> EXC. VIN MODEL YEAR 2014<VZE>
61		CASE; HTR UNIT 8-98077-422-0		1312-1401	01	A	VENTILATOR & DEFROSTER WO/HEATER<SAZ> (A)
		8-98077-422-0		1402-1402	01	A	VENTILATOR & DEFROSTER WO/HEATER<SAZ> EXC. VIN MODEL YEAR 2014<VZE> (A)
		8-98077-422-0		1403-	01	AB	VENTILATOR & DEFROSTER WO/HEATER<SAZ> EXC. VIN MODEL YEAR 2014<VZE> (A)
		8-98077-423-0		1312-1401	01	A	VENTILATOR & DEFROSTER WO/HEATER<SAZ> (B)
		8-98077-423-0		1402-1402	01	A	VENTILATOR & DEFROSTER WO/HEATER<SAZ> EXC. VIN MODEL YEAR 2014<VZE> (B)
		8-98077-423-0		1403-	01	AB	VENTILATOR & DEFROSTER WO/HEATER<SAZ> EXC. VIN MODEL YEAR 2014<VZE> (B)
67		CLIP; HTR UNIT 8-98047-417-0		1312-1401	01	A	VENTILATOR & DEFROSTER WO/HEATER<SAZ>

11566 FVR/GVR(INDONESIA) 2014-

8-60

HEATER UNIT; FRONT

KEY	R / C	PART NAME PART NUMBER	I T C	APPLIED DATE	Qty	APPLIED MODEL	RESTRICTION/REMARKS
							A FVR WIDE CAB(FGR5MV) B GVR WIDE CAB(GGR5MV)
67		8-98047-417-0		1402-1402	01	A	VENTILATOR & DEFROSTER WO/HEATER<SAZ> EXC. VIN MODEL YEAR 2014<VZE>
		8-98047-417-0		1403-	01	AB	VENTILATOR & DEFROSTER WO/HEATER<SAZ> EXC. VIN MODEL YEAR 2014<VZE>
72		NUT; CASE,HTR UNIT 8-98047-428-0		1312-1401	03	A	VENTILATOR & DEFROSTER WO/HEATER<SAZ> M6
		8-98047-428-0		1402-1402	03	A	VENTILATOR & DEFROSTER WO/HEATER<SAZ> EXC. VIN MODEL YEAR 2014<VZE>
		8-98047-428-0		1403-	03	AB	VENTILATOR & DEFROSTER WO/HEATER<SAZ> EXC. VIN MODEL YEAR 2014<VZE> M6
76		BRACKET; HTR UNIT 8-98009-742-1		1312-1401	02	A	VENTILATOR & DEFROSTER WO/HEATER<SAZ>
		8-98009-742-1		1402-1402	02	A	VENTILATOR & DEFROSTER WO/HEATER<SAZ> EXC. VIN MODEL YEAR 2014<VZE>
		8-98009-742-1		1403-	02	AB	VENTILATOR & DEFROSTER WO/HEATER<SAZ> EXC. VIN MODEL YEAR 2014<VZE>
77		COVER; HTR CASE 8-98047-414-0		1312-1401	01	A	VENTILATOR & DEFROSTER WO/HEATER<SAZ>
		8-98047-414-0		1402-1402	01	A	VENTILATOR & DEFROSTER WO/HEATER<SAZ> EXC. VIN MODEL YEAR 2014<VZE>
		8-98047-414-0		1403-	01	AB	VENTILATOR & DEFROSTER WO/HEATER<SAZ> EXC. VIN MODEL YEAR 2014<VZE>
236		GASKET; HEATER 8-98047-420-0		1312-1401	01	A	VENTILATOR & DEFROSTER WO/HEATER<SAZ> (A)
		8-98047-420-0		1402-1402	01	A	VENTILATOR & DEFROSTER WO/HEATER<SAZ> EXC. VIN MODEL YEAR 2014<VZE> (A)
		8-98047-420-0		1403-	01	AB	VENTILATOR & DEFROSTER WO/HEATER<SAZ> EXC. VIN MODEL YEAR 2014<VZE> (A)
		8-98047-421-0		1312-1401	01	A	VENTILATOR & DEFROSTER WO/HEATER<SAZ> (B)
		8-98047-421-0		1402-1402	01	A	VENTILATOR & DEFROSTER WO/HEATER<SAZ> EXC. VIN MODEL YEAR 2014<VZE> (B)
		8-98047-421-0		1403-	01	AB	VENTILATOR & DEFROSTER WO/HEATER<SAZ> EXC. VIN MODEL YEAR 2014<VZE> (B)
242		GASKET; CASE 8-98048-816-0		1312-1401	01	A	VENTILATOR & DEFROSTER WO/HEATER<SAZ>
		8-98048-816-0		1402-1402	01	A	VENTILATOR & DEFROSTER WO/HEATER<SAZ> EXC. VIN MODEL YEAR 2014<VZE>
		8-98048-816-0		1403-	01	AB	VENTILATOR & DEFROSTER WO/HEATER<SAZ> EXC. VIN MODEL YEAR 2014<VZE>

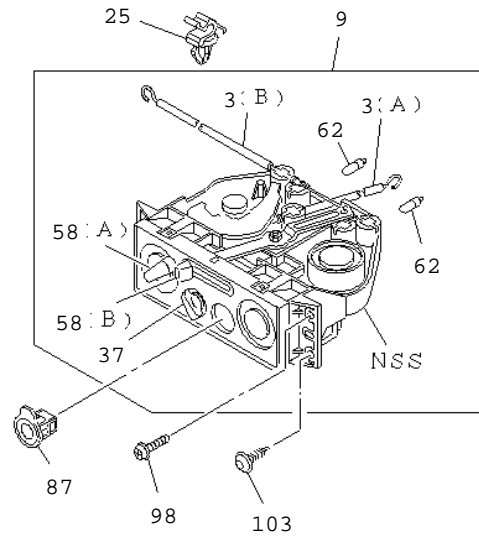
11566 FVR/GVR(INDONESIA) 2014-

8-60

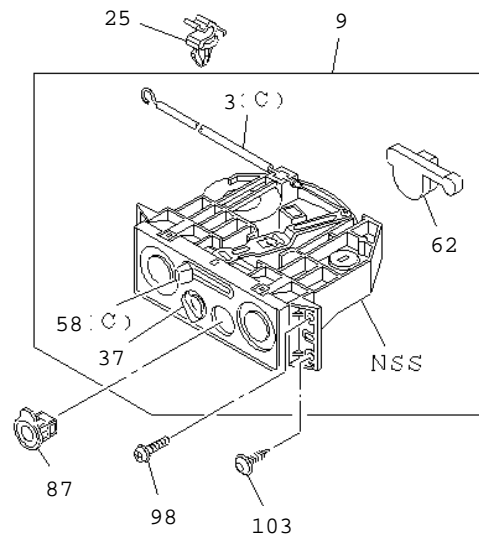
HEATER UNIT; FRONT

KEY	R / C	PART NAME PART NUMBER	I T C	APPLIED DATE	Qty	APPLIED MODEL	RESTRICTION/REMARKS
							A FVR WIDE CAB(FGR5MV) B GVR WIDE CAB(GGR5MV)
8-40		Move to 8-40					

EXC. VIN MODEL YEAR 2014



VIN MODEL YEAR 2014



CONTROL LEVER; HEATER AND AIR CON

KEY	R / C	PART NAME PART NUMBER	I T C	APPLIED DATE	Qty	APPLIED MODEL	RESTRICTION/REMARKS
							A FVR WIDE CAB(FGR5MV) B GVR WIDE CAB(GGR5MV)
3		CABLE; HTR CONT LVR 8-97927-125-0		1402-1402	01	A	VENTILATOR & DEFROSTER WO/HEATER<SAZ> VIN MODEL YEAR 2014<VZE> (C) RECIRC/FRESH
		8-97927-125-0		1403-	01	AB	VENTILATOR & DEFROSTER WO/HEATER<SAZ> VIN MODEL YEAR 2014<VZE> (C) RECIRC/FRESH
		8-98041-503-1		1312-1401	01	A	VENTILATOR & DEFROSTER WO/HEATER<SAZ> (A) MODE
		8-98041-503-1		1402-1402	01	A	VENTILATOR & DEFROSTER WO/HEATER<SAZ> EXC. VIN MODEL YEAR 2014<VZE> (A) MODE
		8-98041-503-1		1403-	01	AB	VENTILATOR & DEFROSTER WO/HEATER<SAZ> EXC. VIN MODEL YEAR 2014<VZE> (A) MODE
		8-98041-505-2		1312-1401	01	A	VENTILATOR & DEFROSTER WO/HEATER<SAZ> (B) RECIRC/FRESH
		8-98041-505-2		1402-1402	01	A	VENTILATOR & DEFROSTER WO/HEATER<SAZ> EXC. VIN MODEL YEAR 2014<VZE> (B) RECIRC/FRESH
		8-98041-505-2		1403-	01	AB	VENTILATOR & DEFROSTER WO/HEATER<SAZ> EXC. VIN MODEL YEAR 2014<VZE> (B) RECIRC/FRESH
9		LEVER ASM; HTR & A/C CONT 8-98255-068-0		1402-1402	01	A	VENTILATOR & DEFROSTER WO/HEATER<SAZ> VIN MODEL YEAR 2014<VZE>
		8-98255-068-0		1403-	01	AB	VENTILATOR & DEFROSTER WO/HEATER<SAZ> VIN MODEL YEAR 2014<VZE>
		8-98062-807-1		1312-1401	01	A	VENTILATOR & DEFROSTER WO/HEATER<SAZ>
		8-98062-807-1		1402-1402	01	A	VENTILATOR & DEFROSTER WO/HEATER<SAZ> EXC. VIN MODEL YEAR 2014<VZE>
		8-98062-807-1		1403-	01	AB	VENTILATOR & DEFROSTER WO/HEATER<SAZ> EXC. VIN MODEL YEAR 2014<VZE>
25		CLIP; CABLE,CONT LEVER 8-94128-483-0		1312-1402	03	A	VENTILATOR & DEFROSTER WO/HEATER<SAZ> ID=4.8
		8-94128-483-0		1403-	03	AB	VENTILATOR & DEFROSTER WO/HEATER<SAZ> ID=4.8
37		KNOB; SW,HTR CONT LVR 8-97926-674-0		1402-1402	01	A	VENTILATOR & DEFROSTER WO/HEATER<SAZ> VIN MODEL YEAR 2014<VZE>
		8-97926-674-0		1403-	01	AB	VENTILATOR & DEFROSTER WO/HEATER<SAZ> VIN MODEL YEAR 2014<VZE>
		8-98037-368-0		1312-1401	01	A	VENTILATOR & DEFROSTER WO/HEATER<SAZ>
		8-98037-368-0		1402-1402	01	A	VENTILATOR & DEFROSTER WO/HEATER<SAZ> EXC. VIN MODEL YEAR 2014<VZE>
		8-98037-368-0		1403-	01	AB	VENTILATOR & DEFROSTER WO/HEATER<SAZ> EXC. VIN MODEL YEAR 2014<VZE>

CONTROL LEVER; HEATER AND AIR CON

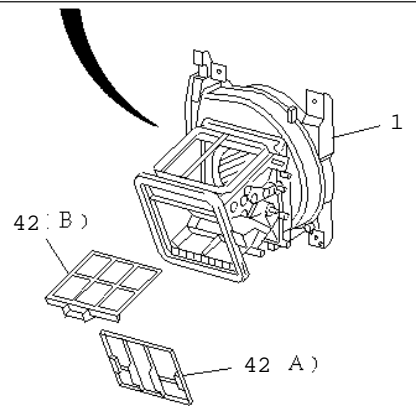
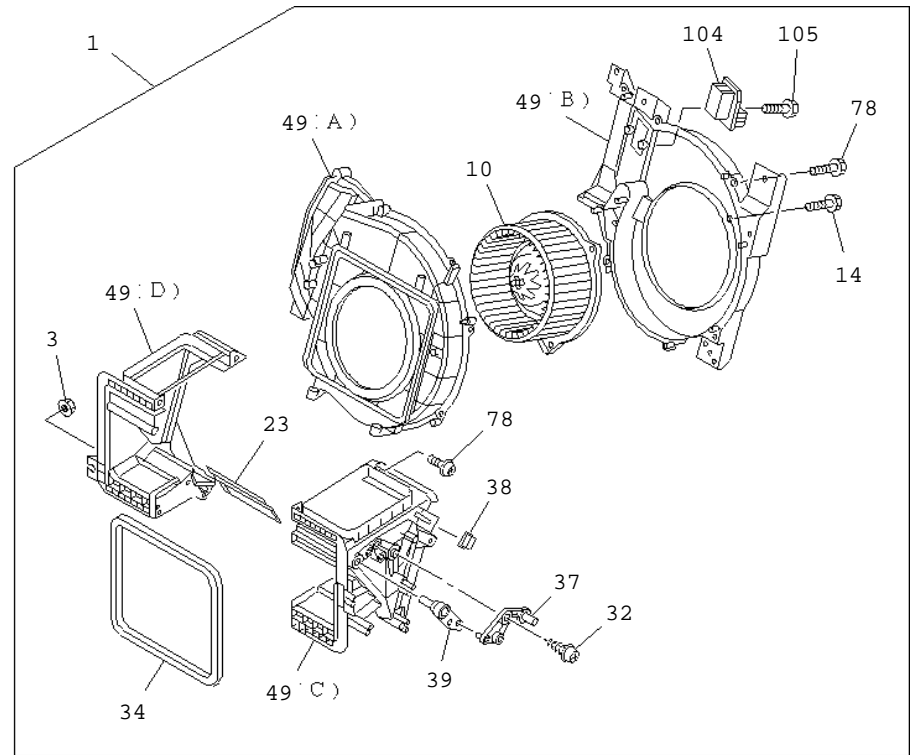
KEY	R / C	PART NAME PART NUMBER	I T C	APPLIED DATE	Qty	APPLIED MODEL	RESTRICTION/REMARKS
							A FVR WIDE CAB(FGR5MV) B GVR WIDE CAB(GGR5MV)
58		KNOB; LVR,HTR CONT LVR 8-97926-675-0		1402-1402	01	A	VENTILATOR & DEFROSTER WO/HEATER<SAZ> VIN MODEL YEAR 2014<VZE> (C)
		8-97926-675-0		1403-	01	AB	VENTILATOR & DEFROSTER WO/HEATER<SAZ> VIN MODEL YEAR 2014<VZE> (C)
		8-98037-369-0		1312-1401	01	A	VENTILATOR & DEFROSTER WO/HEATER<SAZ> (A)
		8-98037-369-0		1402-1402	01	A	VENTILATOR & DEFROSTER WO/HEATER<SAZ> EXC. VIN MODEL YEAR 2014<VZE> (A)
		8-98037-369-0		1403-	01	AB	VENTILATOR & DEFROSTER WO/HEATER<SAZ> EXC. VIN MODEL YEAR 2014<VZE> (A)
		8-98037-370-0		1312-1401	01	A	VENTILATOR & DEFROSTER WO/HEATER<SAZ> (B)
		8-98037-370-0		1402-1402	01	A	VENTILATOR & DEFROSTER WO/HEATER<SAZ> EXC. VIN MODEL YEAR 2014<VZE> (B)
		8-98037-370-0		1403-	01	AB	VENTILATOR & DEFROSTER WO/HEATER<SAZ> EXC. VIN MODEL YEAR 2014<VZE> (B)
62		BULB; HTR CONT LVR 8-97926-676-0		1402-1402	01	A	VENTILATOR & DEFROSTER WO/HEATER<SAZ> VIN MODEL YEAR 2014<VZE>
		8-97926-676-0		1403-	01	AB	VENTILATOR & DEFROSTER WO/HEATER<SAZ> VIN MODEL YEAR 2014<VZE>
		8-98037-371-0		1312-1401	02	A	VENTILATOR & DEFROSTER WO/HEATER<SAZ> 24V 1.1W
		8-98037-371-0		1402-1402	02	A	VENTILATOR & DEFROSTER WO/HEATER<SAZ> EXC. VIN MODEL YEAR 2014<VZE> 24V 1.1W
		8-98037-371-0		1403-	02	AB	VENTILATOR & DEFROSTER WO/HEATER<SAZ> EXC. VIN MODEL YEAR 2014<VZE> 24V 1.1W
87		CAP; A/C SWITCH 8-98006-089-0		1312-1402	01	A	VENTILATOR & DEFROSTER WO/HEATER<SAZ>
		8-98006-089-0		1403-	01	AB	VENTILATOR & DEFROSTER WO/HEATER<SAZ>
98		SCREW; CONT PANEL 0-72180-520-0		1312-1402	01	A	VENTILATOR & DEFROSTER WO/HEATER<SAZ> M5X20 HEXALOBULAR SOCKET
		0-72180-520-0		1403-	01	AB	VENTILATOR & DEFROSTER WO/HEATER<SAZ> M5X20 HEXALOBULAR SOCKET
103		CLIP 8-97098-326-0		1312-1402	01	A	VENTILATOR & DEFROSTER WO/HEATER<SAZ> DARK GRAY

8-65

CONTROL LEVER; HEATER AND AIR CON

KEY	R / C	PART NAME PART NUMBER	I T C	APPLIED DATE	Qty	APPLIED MODEL	RESTRICTION/REMARKS
							A FVR WIDE CAB(FGR5MV) B GVR WIDE CAB(GGR5MV)
103		8-97098-326-0		1403-	01	AB	VENTILATOR & DEFROSTER WO/HEATER<SAZ> DARK GRAY

11566 FVR/GVR(INDONESIA) 2014-



8-73

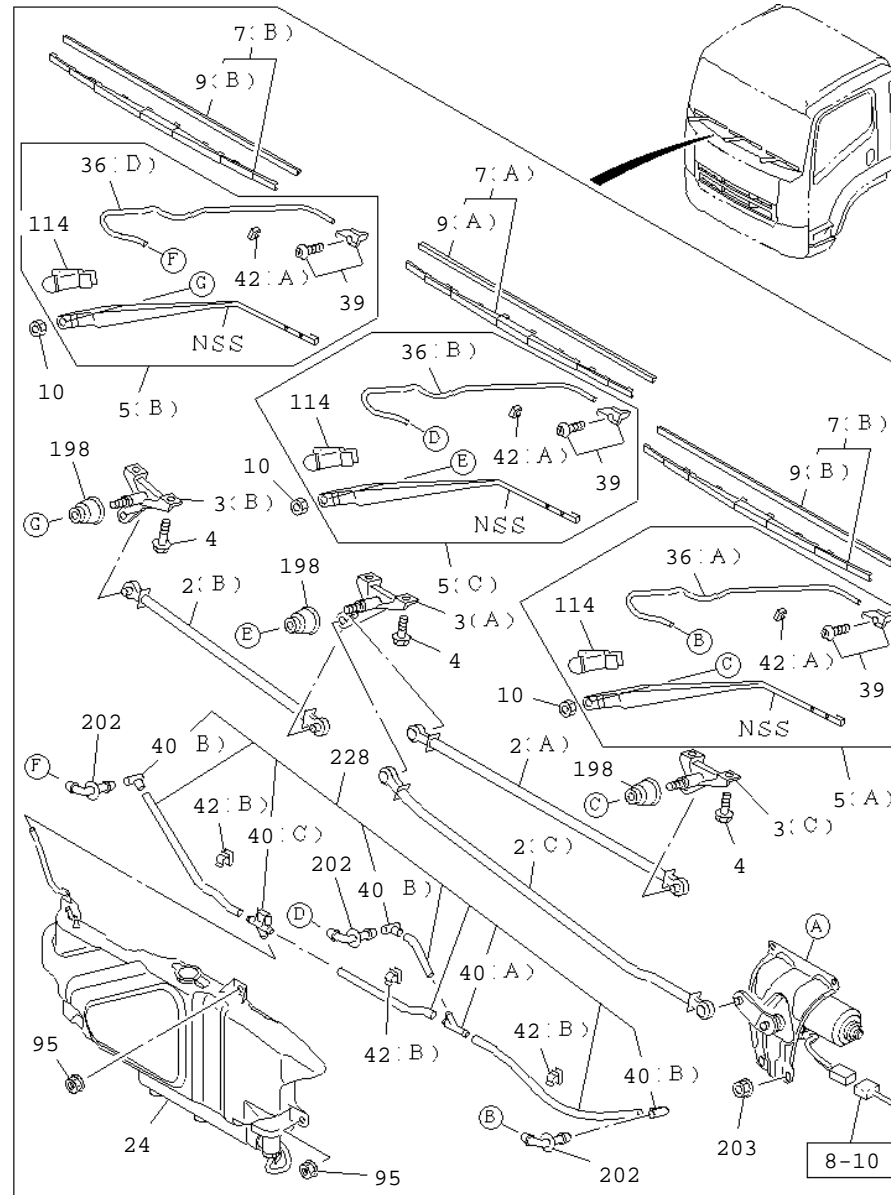
BLOWER UNIT

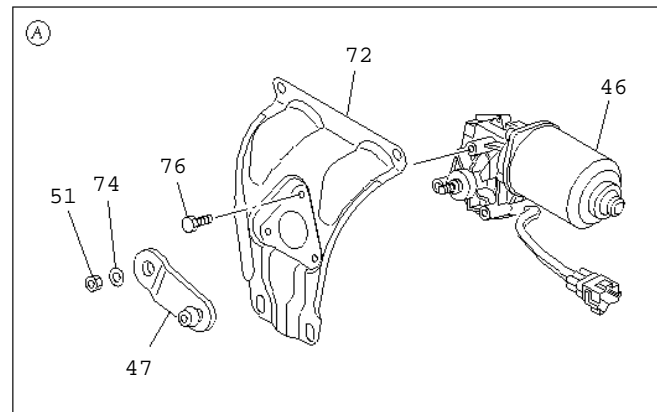
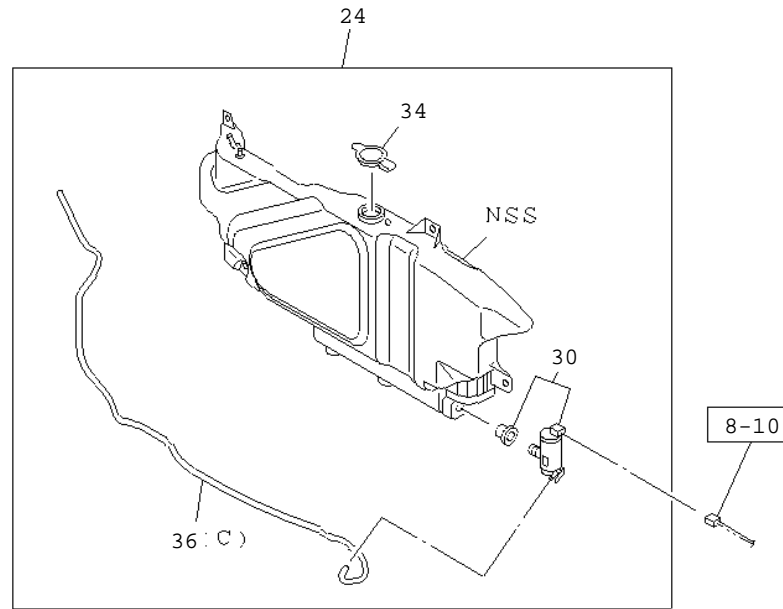
KEY	R / C	PART NAME PART NUMBER	I T C	APPLIED DATE	Qty	APPLIED MODEL	RESTRICTION/REMARKS
							A FVR WIDE CAB(FGR5MV) B GVR WIDE CAB(GGR5MV)
1		BLOWER ASM 8-98171-720-0		1312-1402	01	A	VENTILATOR & DEFROSTER WO/HEATER<SAZ>
		8-98171-720-0		1403-	01	AB	VENTILATOR & DEFROSTER WO/HEATER<SAZ>
3		NUT; CASE 1-83539-354-0		1312-1402	02	A	VENTILATOR & DEFROSTER WO/HEATER<SAZ>
		1-83539-354-0		1403-	02	AB	M6 VENTILATOR & DEFROSTER WO/HEATER<SAZ>
10		MOTOR ASM; FAN,BLOWER UNIT 8-98183-924-0		1312-1402	01	A	VENTILATOR & DEFROSTER WO/HEATER<SAZ>
		8-98183-924-0		1403-	01	AB	VENTILATOR & DEFROSTER WO/HEATER<SAZ>
14		SCREW; COVER TO CASE 8-98047-448-0		1312-1402	03	A	VENTILATOR & DEFROSTER WO/HEATER<SAZ>
		8-98047-448-0		1403-	03	AB	M5X16 VENTILATOR & DEFROSTER WO/HEATER<SAZ>
23		SHUTTER; BLOWER UNIT 8-98171-863-0		1312-1402	01	A	VENTILATOR & DEFROSTER WO/HEATER<SAZ>
		8-98171-863-0		1403-	01	AB	VENTILATOR & DEFROSTER WO/HEATER<SAZ>
32		SCREW; LEVER 8-98047-416-0		1312-1402	01	A	VENTILATOR & DEFROSTER WO/HEATER<SAZ>
		8-98047-416-0		1403-	01	AB	M4X16 VENTILATOR & DEFROSTER WO/HEATER<SAZ>
34		LINING; BLOWER UNIT 8-98096-453-0		1312-1402	01	A	VENTILATOR & DEFROSTER WO/HEATER<SAZ>
		8-98096-453-0		1403-	01	AB	VENTILATOR & DEFROSTER WO/HEATER<SAZ>
37		LEVER; MODE LEVER 8-98047-436-0		1312-1402	01	A	VENTILATOR & DEFROSTER WO/HEATER<SAZ>
		8-98047-436-0		1403-	01	AB	VENTILATOR & DEFROSTER WO/HEATER<SAZ>
38		CLIP; BLOWER UNIT 8-98047-417-0		1312-1402	01	A	VENTILATOR & DEFROSTER WO/HEATER<SAZ>
		8-98047-417-0		1403-	01	AB	VENTILATOR & DEFROSTER WO/HEATER<SAZ>
39		LEVER; SHUTTER,BLOWER UNIT 8-98047-435-0		1312-1402	01	A	VENTILATOR & DEFROSTER WO/HEATER<SAZ>
		8-98047-435-0		1403-	01	AB	VENTILATOR & DEFROSTER WO/HEATER<SAZ>
42		FILTER; BLOWER UNIT 8-98025-006-1		1312-1402	01	A	VENTILATOR & DEFROSTER WO/HEATER<SAZ>
		8-98025-006-1		1403-	01	AB	(B) VENTILATOR & DEFROSTER WO/HEATER<SAZ>
		8-98041-327-0		1312-1402	01	A	(B) VENTILATOR & DEFROSTER WO/HEATER<SAZ>
		8-98041-327-0		1403-	01	AB	(A) VENTILATOR & DEFROSTER WO/HEATER<SAZ>
49		CASE; BLOWER UNIT 8-98047-440-0		1312-1402	01	A	(A) VENTILATOR & DEFROSTER WO/HEATER<SAZ>
							(B)

8-73

BLOWER UNIT

KEY	R / C	PART NAME PART NUMBER	I T C	APPLIED DATE	Qty	APPLIED MODEL	RESTRICTION/REMARKS
							A FVR WIDE CAB(FGR5MV) B GVR WIDE CAB(GGR5MV)
49		8-98047-440-0		1403-	01	AB	VENTILATOR & DEFROSTER WO/HEATER<SAZ> (B)
		8-98047-441-0		1312-1402	01	A	VENTILATOR & DEFROSTER WO/HEATER<SAZ> (A)
		8-98047-441-0		1403-	01	AB	VENTILATOR & DEFROSTER WO/HEATER<SAZ> (A)
		8-98077-413-0		1312-1402	01	A	VENTILATOR & DEFROSTER WO/HEATER<SAZ> (D)
		8-98077-413-0		1403-	01	AB	VENTILATOR & DEFROSTER WO/HEATER<SAZ> (D)
		8-98077-414-0		1312-1402	01	A	VENTILATOR & DEFROSTER WO/HEATER<SAZ> (C)
		8-98077-414-0		1403-	01	AB	VENTILATOR & DEFROSTER WO/HEATER<SAZ> (C)
78		SCREW; CASE TO CASE 8-97957-708-0		1312-1402	15	A	VENTILATOR & DEFROSTER WO/HEATER<SAZ> M4X16 TAPPING IDN
		8-97957-708-0		1403-	15	AB	VENTILATOR & DEFROSTER WO/HEATER<SAZ> M4X16 TAPPING IDN
104		RESISTOR; BLOWER UNIT 8-98074-113-0		1312-1402	01	A	VENTILATOR & DEFROSTER WO/HEATER<SAZ>
		8-98074-113-0		1403-	01	AB	VENTILATOR & DEFROSTER WO/HEATER<SAZ>
105		SCREW; RESISTOR 8-97957-708-0		1312-1402	02	A	VENTILATOR & DEFROSTER WO/HEATER<SAZ> M4X16 TAPPING IDN
		8-97957-708-0		1403-	02	AB	VENTILATOR & DEFROSTER WO/HEATER<SAZ> M4X16 TAPPING IDN





8-80

WINDSHIELD WIPER AND WASHER

KEY	R / C	PART NAME PART NUMBER	I T C	APPLIED DATE	Qty	APPLIED MODEL	RESTRICTION/REMARKS
							A FVR WIDE CAB (FGR5MV) B GVR WIDE CAB (GGR5MV)
2		LINK; FRT WIPER 8-98078-812-0		1312-1402	01	A	
		8-98078-812-0		1403-	01	AB	(A)
		8-98078-813-0		1312-1402	01	A	(A)
		8-98078-813-0		1403-	01	AB	(B)
		8-98078-814-0		1312-1402	01	A	(B)
		8-98078-814-0		1403-	01	AB	(C)
3		PIVOT ASM; FRT WIPER 8-98068-140-0		1312-1402	01	A	(C)
		8-98068-140-0		1403-	01	AB	(C)
		8-98078-817-0		1312-1402	01	A	(C)
		8-98078-817-0		1403-	01	AB	(A)
		8-98078-818-0		1312-1402	01	A	(A)
		8-98078-818-0		1403-	01	AB	(B)
4		BOLT; WIPER LINK TO BODY 0-28650-820-0		1312-1402	06	A	(B)
		0-28650-820-0		1403-	06	AB	M8X20 FLANGE IDN
5	B	ARM; WIPER 8-98078-821-1		1312-1402	01	A	M8X20 FLANGE IDN
		8-98078-821-1		1403-	01	AB	(B)
		8-98078-822-1		1312-1402	01	A	(B)
		8-98078-822-1		1403-	01	AB	(C)
		8-98078-823-1		1312-1402	01	A	(C)
		8-98078-823-1		1403-	01	AB	(A)
7	A	BLADE; WIPER					(A)

8-80

WINDSHIELD WIPER AND WASHER

KEY	R / C	PART NAME PART NUMBER	I T C	APPLIED DATE	Qty	APPLIED MODEL	RESTRICTION/REMARKS
							A FVR WIDE CAB (FGR5MV) B GVR WIDE CAB (GGR5MV)
7		1-83315-047-2		1312-1402	02	A	
		1-83315-047-2		1403-	02	AB	(B)
		1-83315-048-2		1312-1402	01	A	(B)
		1-83315-048-2		1403-	01	AB	(A)
9	A	RUBBER; FRT WIPER BLADE 1-83355-015-0		1312-1402	02	A	(A)
		1-83355-015-0		1403-	02	AB	(B)
		1-83355-016-0		1312-1402	01	A	(B)
		1-83355-016-0		1403-	01	AB	(A)
10		NUT; WIPER ARM TO WIPER PIVOT 1-09984-120-0		1312-1402	03	A	M10
		1-09984-120-0		1403-	03	AB	M10
24		TANK ASM; WASHER 8-98039-661-4		1312-1402	01	A	
		8-98039-661-4		1403-	01	AB	
30		MOTOR ASM; FRT WASHER TANK 8-98070-170-0		1312-1402	01	A	
		8-98070-170-0		1403-	01	AB	
34		CAP; WASHER TANK 8-97855-140-0		1312-1402	01	A	IDN
		8-97855-140-0		1403-	01	AB	IDN
36		HOSE; WASHER 1-86810-098-0		1312-1402	01	A	(B)
		1-86810-098-0		1403-	01	AB	(B)
		8-98070-173-0		1312-1402	01	A	(C)
		8-98070-173-0		1403-	01	AB	(C)
		8-98078-825-0		1312-1402	01	A	(D)
		8-98078-825-0		1403-	01	AB	(D)
		8-98078-826-0		1312-1402	01	A	(A)

8-80

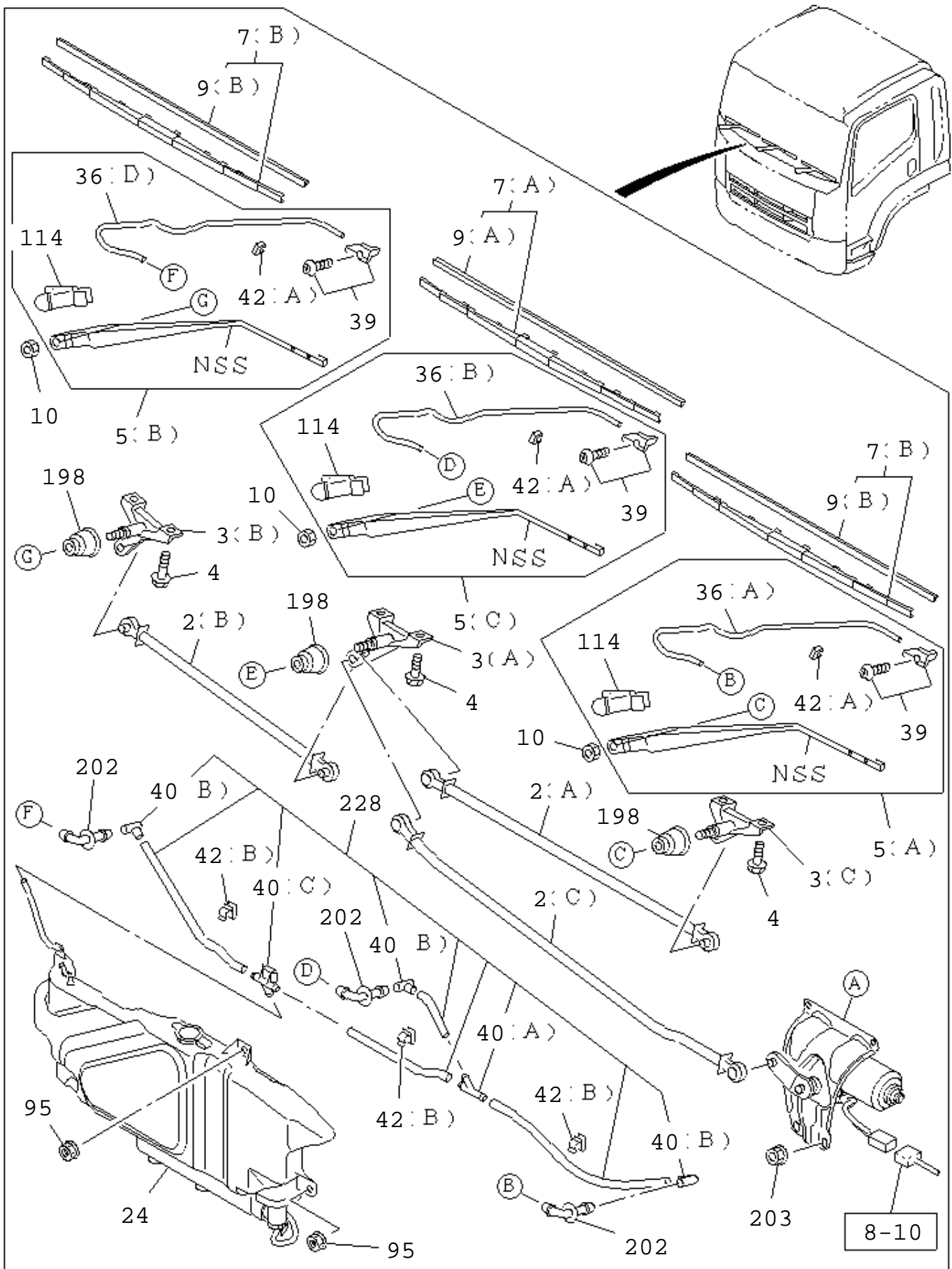
WINDSHIELD WIPER AND WASHER

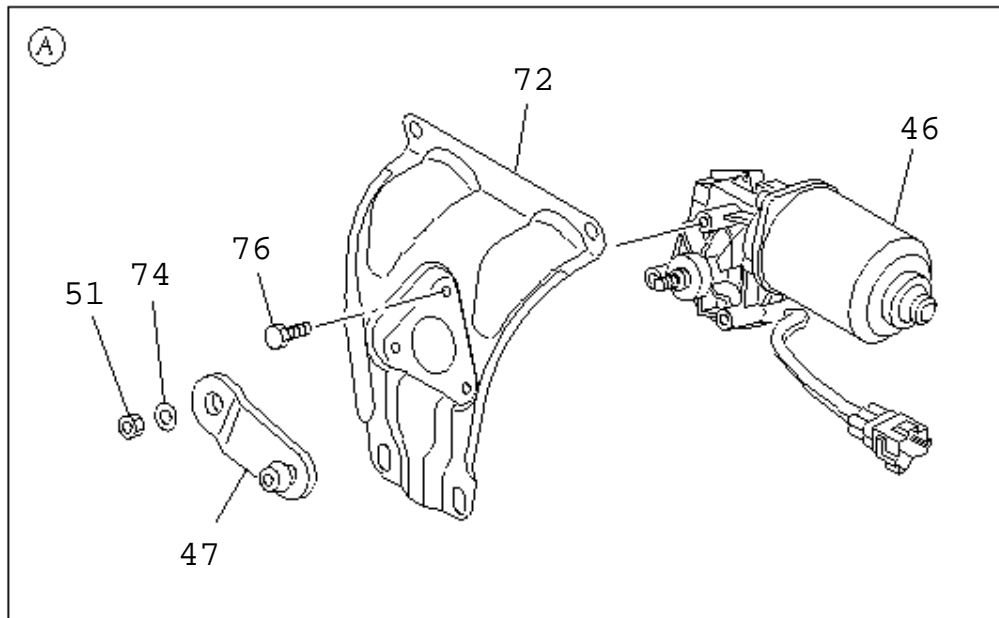
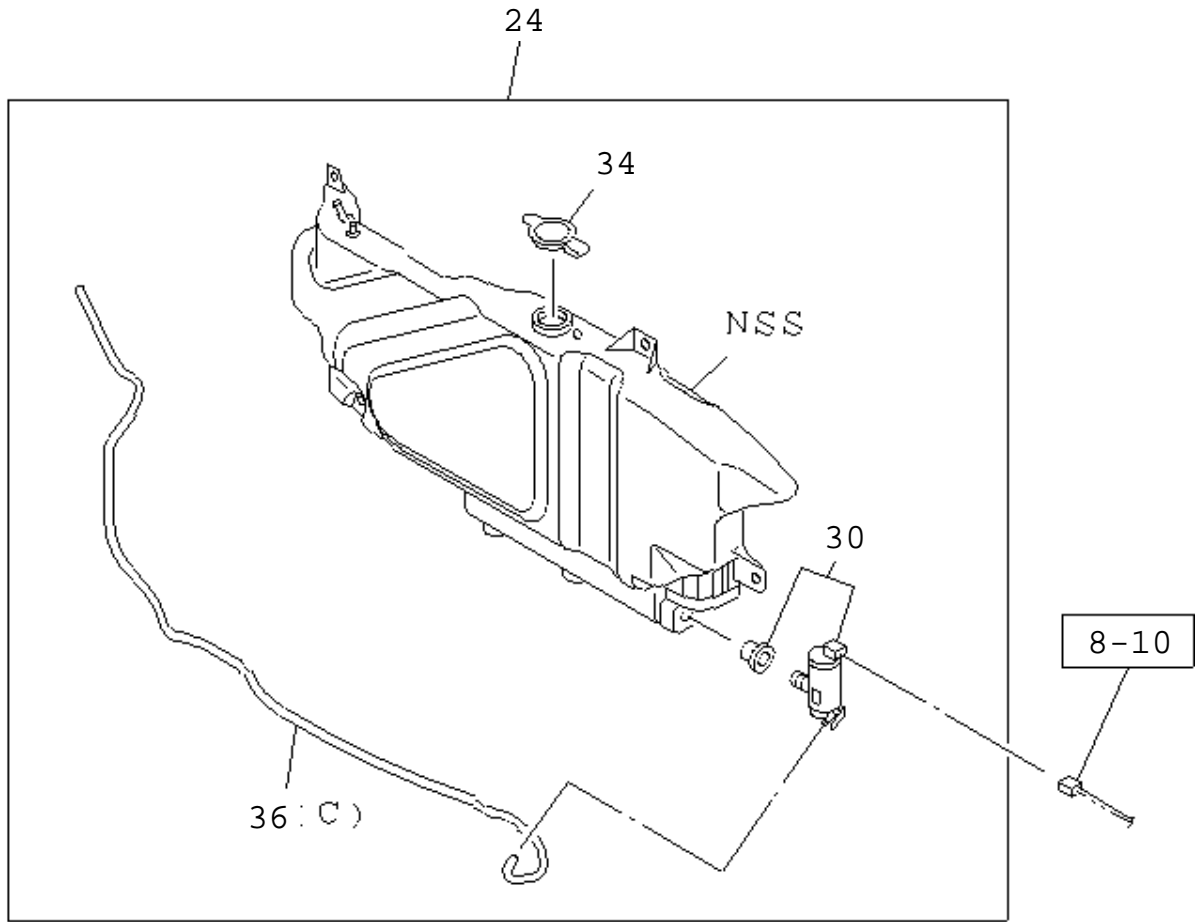
KEY	R / C	PART NAME PART NUMBER	I T C	APPLIED DATE	Qty	APPLIED MODEL	RESTRICTION/REMARKS
							A FVR WIDE CAB (FGR5MV) B GVR WIDE CAB (GGR5MV)
36		8-98078-826-0		1403-	01	AB	(A)
39		NOZZLE; WINDSHIELD WASHER 1-83315-085-0		1312-1402	03	A	
		1-83315-085-0		1403-	03	AB	
40		JOINT; WASHER HOSE 8-97167-258-0		1312-1402	01	A	(C)
		8-97167-258-0		1403-	01	AB	(C)
		8-97307-026-0		1312-1402	03	A	(B)
		8-97307-026-0		1403-	03	AB	(B)
		8-97855-163-0		1312-1402	01	A	(A)
		8-97855-163-0		1403-	01	AB	(A)
42		CLIP; WASHER HOSE 1-86810-044-0		1312-1402	03	A	(A)
		1-86810-044-0		1403-	03	AB	(A)
		8-98039-708-0		1312-1402	03	A	(B)
		8-98039-708-0		1403-	03	AB	(B)
46		MOTOR ASM; FRT WINDSHIELD WIPER 8-98078-808-1		1312-1402	01	A	
		8-98078-808-1		1403-	01	AB	
47		ARM; CRANK, WIPER MOTOR 8-98078-805-0		1312-1402	01	A	
		8-98078-805-0		1403-	01	AB	
51		NUT; WIPER MOTOR LINK 1-83319-012-0		1312-1402	01	A	
		1-83319-012-0		1403-	01	AB	
72		BRACKET; WIPER MOTOR 8-98078-807-0		1312-1402	01	A	
		8-98078-807-0		1403-	01	AB	
74		WASHER; ARM TO MOTOR 1-83319-011-0		1312-1402	01	A	
		1-83319-011-0		1403-	01	AB	
76		SCREW; BRKT TO WIPER MOTOR 1-86810-062-0		1312-1402	03	A	
		1-86810-062-0		1403-	03	AB	
95		NUT; WASHER TANK 0-91180-106-0		1312-1402	04	A	M6 FLANGE

8-80

WINDSHIELD WIPER AND WASHER

KEY	R / C	PART NAME PART NUMBER	I T C	APPLIED DATE	Qty	APPLIED MODEL	RESTRICTION/REMARKS
							A FVR WIDE CAB (FGR5MV) B GVR WIDE CAB (GGR5MV)
95		0-91180-106-0		1403-	04	AB	
114		COVER; FRT WIPER ARM 1-83318-126-0 1-83318-126-0		1312-1402 1403-	03 03	A AB	M6 FLANGE
198		COVER; PIVOT, WIPER 8-98038-892-0 8-98038-892-0		1312-1402 1403-	03 03	A AB	
202		GROMMET; WIPER 1-86815-003-2 1-86815-003-2		1312-1402 1403-	03 03	A AB	
203		NUT; WIPER MOTOR 0-91180-208-0		1312-1402	04	A	
		0-91180-208-0		1403-	04	AB	M8 FLANGE IDN
228		HOSE ASM; WASHER 8-98039-703-1 8-98039-703-1		1312-1402 1403-	01 01	A AB	M8 FLANGE IDN
8-10		Move to 8-10					





WINDSHIELD WIPER AND WASHER

KEY	R / C	PART NAME PART NUMBER	I T C	APPLIED DATE	Qt-y	APPLIED MODEL	RESTRICTION/REMARKS	
							A FVR WIDE CAB (FGR5MV)	B GVR WIDE CAB (GGR5MV)
2		LINK; FRT WIPER 8-98078-812-0		1312-1402	01	A		
		8-98078-812-0		1403-	01	AB	(A)	
		8-98078-813-0		1312-1402	01	A	(A)	
		8-98078-813-0		1403-	01	AB	(B)	
		8-98078-814-0		1312-1402	01	A	(B)	
		8-98078-814-0		1403-	01	AB	(C)	
3		PIVOT ASM; FRT WIPER 8-98068-140-0		1312-1402	01	A	(C)	
		8-98068-140-0		1403-	01	AB	(C)	
		8-98078-817-0		1312-1402	01	A	(C)	
		8-98078-817-0		1403-	01	AB	(A)	
		8-98078-818-0		1312-1402	01	A	(A)	
		8-98078-818-0		1403-	01	AB	(B)	
4		BOLT; WIPER LINK TO BODY 0-28650-820-0		1312-1402	06	A	(B)	
		0-28650-820-0		1403-	06	AB	(B)	
5	B	ARM; WIPER 8-98078-821-1		1312-1402	01	A	M8X20 FLANGE IDN	
		8-98078-821-1		1403-	01	AB	(B)	
		8-98078-822-1		1312-1402	01	A	(B)	
		8-98078-822-1		1403-	01	AB	(C)	
		8-98078-823-1		1312-1402	01	A	(C)	
		8-98078-823-1		1403-	01	AB	(A)	
7	A	BLADE; WIPER 1-83315-047-2		1312-1402	02	A	(A)	
		1-83315-047-2		1403-	02	AB	(B)	
		1-83315-048-2		1312-1402	01	A	(B)	
		1-83315-048-2		1403-	01	AB	(A)	
9	A	RUBBER; FRT WIPER BLADE 1-83355-015-0		1312-1402	02	A	(A)	
		1-83355-015-0		1403-	02	AB	(B)	
		1-83355-016-0		1312-1402	01	A	(B)	
		1-83355-016-0		1403-	01	AB	(A)	
10		NUT; WIPER ARM TO WIPER PIVOT 1-09984-120-0		1312-1402	03	A	(A)	
		1-09984-120-0		1403-	03	AB	M10	
24		TANK ASM; WASHER 8-98039-661-4		1312-1402	01	A	M10	
		8-98039-661-4		1403-	01	AB		
30		MOTOR ASM; FRT WASHER TANK 8-98070-170-0		1312-1402	01	A		

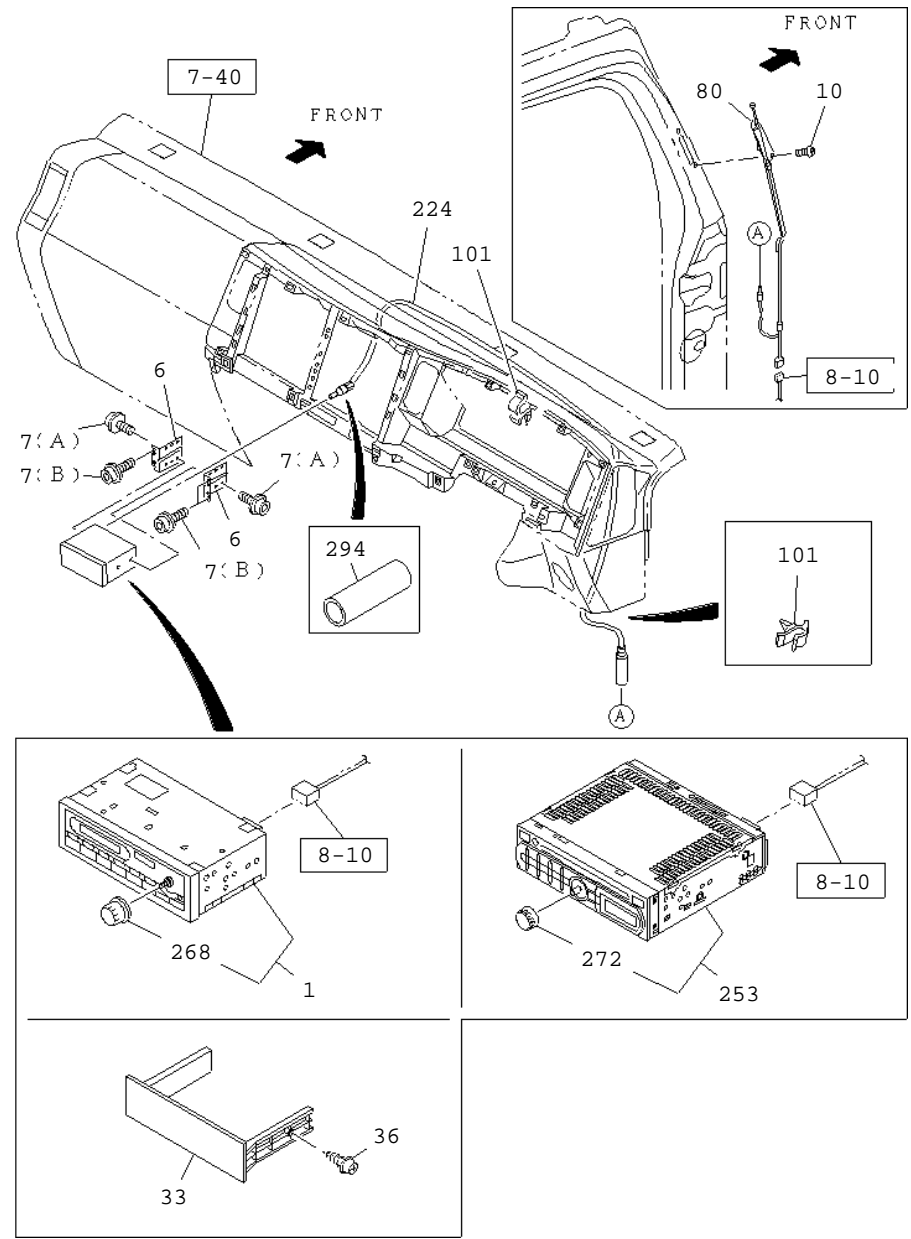
WINDSHIELD WIPER AND WASHER

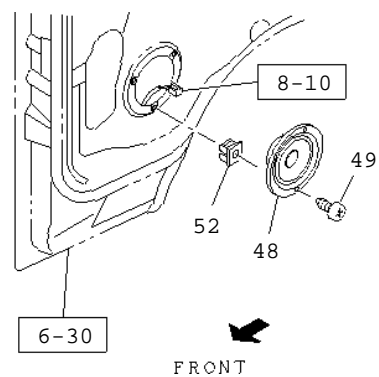
KEY	R / C	PART NAME PART NUMBER	I T C	APPLIED DATE	Qt-y	APPLIED MODEL	RESTRICTION/REMARKS	
							A FVR WIDE CAB(FGR5MV)	B GVR WIDE CAB(GGR5MV)
30		8-98070-170-0		1403-	01	AB		
34		CAP; WASHER TANK 8-97855-140-0		1312-1402	01	A		IDN
		8-97855-140-0		1403-	01	AB		IDN
36		HOSE; WASHER 1-86810-098-0		1312-1402	01	A		(B)
		1-86810-098-0		1403-	01	AB		(B)
		8-98070-173-0		1312-1402	01	A		(C)
		8-98070-173-0		1403-	01	AB		(C)
		8-98078-825-0		1312-1402	01	A		(D)
		8-98078-825-0		1403-	01	AB		(D)
		8-98078-826-0		1312-1402	01	A		(A)
		8-98078-826-0		1403-	01	AB		(A)
39		NOZZLE; WINDSHIELD WASHER 1-83315-085-0		1312-1402	03	A		
		1-83315-085-0		1403-	03	AB		
40		JOINT; WASHER HOSE 8-97167-258-0		1312-1402	01	A		(C)
		8-97167-258-0		1403-	01	AB		(C)
		8-97307-026-0		1312-1402	03	A		(B)
		8-97307-026-0		1403-	03	AB		(B)
		8-97855-163-0		1312-1402	01	A		(A)
		8-97855-163-0		1403-	01	AB		(A)
42		CLIP; WASHER HOSE 1-86810-044-0		1312-1402	03	A		(A)
		1-86810-044-0		1403-	03	AB		(A)
		8-98039-708-0		1312-1402	03	A		(B)
		8-98039-708-0		1403-	03	AB		(B)
46		MOTOR ASM; FRT WINDSHIELD WIPER 8-98078-808-1		1312-1402	01	A		
		8-98078-808-1		1403-	01	AB		
47		ARM; CRANK, WIPER MOTOR 8-98078-805-0		1312-1402	01	A		
		8-98078-805-0		1403-	01	AB		
51		NUT; WIPER MOTOR LINK 1-83319-012-0		1312-1402	01	A		
		1-83319-012-0		1403-	01	AB		
72		BRACKET; WIPER MOTOR 8-98078-807-0		1312-1402	01	A		
		8-98078-807-0		1403-	01	AB		
74		WASHER; ARM TO MOTOR 1-83319-011-0		1312-1402	01	A		
		1-83319-011-0		1403-	01	AB		
76		SCREW; BRKT TO WIPER MOTOR 1-86810-062-0		1312-1402	03	A		
		1-86810-062-0		1403-	03	AB		
95		NUT; WASHER TANK 0-91180-106-0		1312-1402	04	A		M6 FLANGE
		0-91180-106-0		1403-	04	AB		M6 FLANGE
114		COVER; FRT WIPER ARM 1-83318-126-0		1312-1402	03	A		
		1-83318-126-0		1403-	03	AB		

8-80

WINDSHIELD WIPER AND WASHER

KEY	R / C	PART NAME PART NUMBER	I T C	APPLIED DATE	Qty	APPLIED MODEL	RESTRICTION/REMARKS
							A FVR WIDE CAB(FGR5MV) B GVR WIDE CAB(GGR5MV)
198		COVER; PIVOT, WIPER 8-98038-892-0 8-98038-892-0		1312-1402 1403-	03 03	A AB	
202		GROMMET; WIPER 1-86815-003-2 1-86815-003-2		1312-1402 1403-	03 03	A AB	
203		NUT; WIPER MOTOR 0-91180-208-0 0-91180-208-0		1312-1402 1403-	04 04	A AB	M8 FLANGE IDN M8 FLANGE IDN
228		HOSE ASM; WASHER 8-98039-703-1 8-98039-703-1		1312-1402 1403-	01 01	A AB	
8-10		Move to 8-10					





8-90

RADIO AND TV

KEY	R / C	PART NAME PART NUMBER	I T C	APPLIED DATE	Qty	APPLIED MODEL	RESTRICTION/REMARKS
							A FVR WIDE CAB(FGR5MV) B GVR WIDE CAB(GGR5MV)
1		RADIO 8-98032-643-0		1312-1402	01	A	RADIO AM/FM<U69> TUNER BAND ASIA<7DN>
		8-98032-643-0		1403-	01	AB	RADIO AM/FM<U69> TUNER BAND ASIA<7DN>
6		BRACKET; RADIO TO PANEL 8-97585-617-0		1312-1402	02	A	IDN
		8-97585-617-0		1403-	02	AB	IDN
7		SCREW; RADIO 0-72180-520-0		1312-1402	02	A	(B) M5X20 HEXALOBULAR SOCKET
		0-72180-520-0		1403-	02	AB	(B) M5X20 HEXALOBULAR SOCKET
		8-98063-767-0		1312-1402	04	A	RADIO AM/FM STEREO CD<UT3>,RADIO AM/FM<U69> TUNER BAND ASIA<7DN>
		8-98063-767-0		1403-	04	AB	(A) M5X7 HEXALOBULAR SOCKET IDN RADIO AM/FM STEREO CD<UT3>,RADIO AM/FM<U69> TUNER BAND ASIA<7DN>
10		SCREW; ANTENNA CABLE 1-09981-536-1		1312-1402	02	A	M5X11
		1-09981-536-1		1403-	02	AB	M5X11
33		COVER; RADIO 8-97407-896-1		1312-1402	01	A	EXC. RADIO AM/FM STEREO CD<UT3>,RADIO AM/FM<U69> BLACK
		8-97407-896-1		1403-	01	AB	EXC. RADIO AM/FM STEREO CD<UT3>,RADIO AM/FM<U69> BLACK
36		SCREW; COVER 8-98058-632-0		1312-1402	02	A	EXC. RADIO AM/FM STEREO CD<UT3>,RADIO AM/FM<U69> M5X10 TAPPING W/TORQUES
		8-98058-632-0		1403-	02	AB	EXC. RADIO AM/FM STEREO CD<UT3>,RADIO AM/FM<U69> M5X10 TAPPING W/TORQUES
48		SPEAKER; AUDIO 8-97317-001-1		1312-1402	02	A	2-SPEAKER SYSTEM BASE<U95> IDN
		8-97317-001-1		1403-	02	AB	2-SPEAKER SYSTEM BASE<U95> IDN
49		SCREW; SPEAKER					

8-90

RADIO AND TV

KEY	R / C	PART NAME PART NUMBER	I T C	APPLIED DATE	Qty	APPLIED MODEL	RESTRICTION/REMARKS
							A FVR WIDE CAB(FGR5MV) B GVR WIDE CAB(GGR5MV)
49		8-98061-856-0		1312-1402	06	A	2-SPEAKER SYSTEM BASE<U95>
		8-98061-856-0		1403-	06	AB	M5X14 TAPPING W/TORQUES 2-SPEAKER SYSTEM BASE<U95> M5X14 TAPPING W/TORQUES
52		GROMMET; SCREW,SPEAKER 8-94279-078-0		1312-1402	06	A	2-SPEAKER SYSTEM BASE<U95> D=8.6X7.7 L=7.5 IDN
		8-94279-078-0		1403-	06	AB	2-SPEAKER SYSTEM BASE<U95> D=8.6X7.7 L=7.5 IDN
80		ANTENNA 8-98139-014-0		1312-1402	01	A	
		8-98139-014-0		1403-	01	AB	
101		CLIP; FEEDER TO BRKT 8-94128-483-0		1312-1402	03	A	
		8-94128-483-0		1403-	03	AB	ID=4.8
224		CABLE; EXT,FEEDER 8-98063-002-1		1312-1402	01	A	
		8-98063-002-1		1403-	01	AB	ID=4.8
253		DECK ASM; RADIO & CD 8-98017-752-0		1312-1402	01	A	RADIO AM/FM STEREO CD<UT3> IDN
		8-98017-752-0		1403-	01	AB	RADIO AM/FM STEREO CD<UT3> IDN
268		KNOB; VOL 8-97375-820-0		1312-1402	01	A	RADIO AM/FM<U69> TUNER BAND ASIA<7DN> CLARION
		8-97375-820-0		1403-	01	AB	RADIO AM/FM<U69> TUNER BAND ASIA<7DN> CLARION
272		KNOB; AUDIO CONTROL 8-98048-329-0		1312-1402	01	A	RADIO AM/FM STEREO CD<UT3> CLARION IDN
		8-98048-329-0		1403-	01	AB	RADIO AM/FM STEREO CD<UT3> CLARION IDN
294		CAP; ANTENNA CABLE 8-98095-617-1		1312-1402	01	A	EXC. RADIO AM/FM STEREO CD<UT3>,RADIO AM/FM<U69> IDN
		8-98095-617-1		1403-	01	AB	EXC. RADIO AM/FM STEREO CD<UT3>,RADIO AM/FM<U69> IDN
7-40		Move to 7-40					
8-10		Move to 8-10					

8-90

RADIO AND TV

KEY	R / C	PART NAME PART NUMBER	I T C	APPLIED DATE	Qty	APPLIED MODEL	RESTRICTION/REMARKS
6-30		Move to 6-30					A FVR WIDE CAB(FGR5MV) B GVR WIDE CAB(GGR5MV)