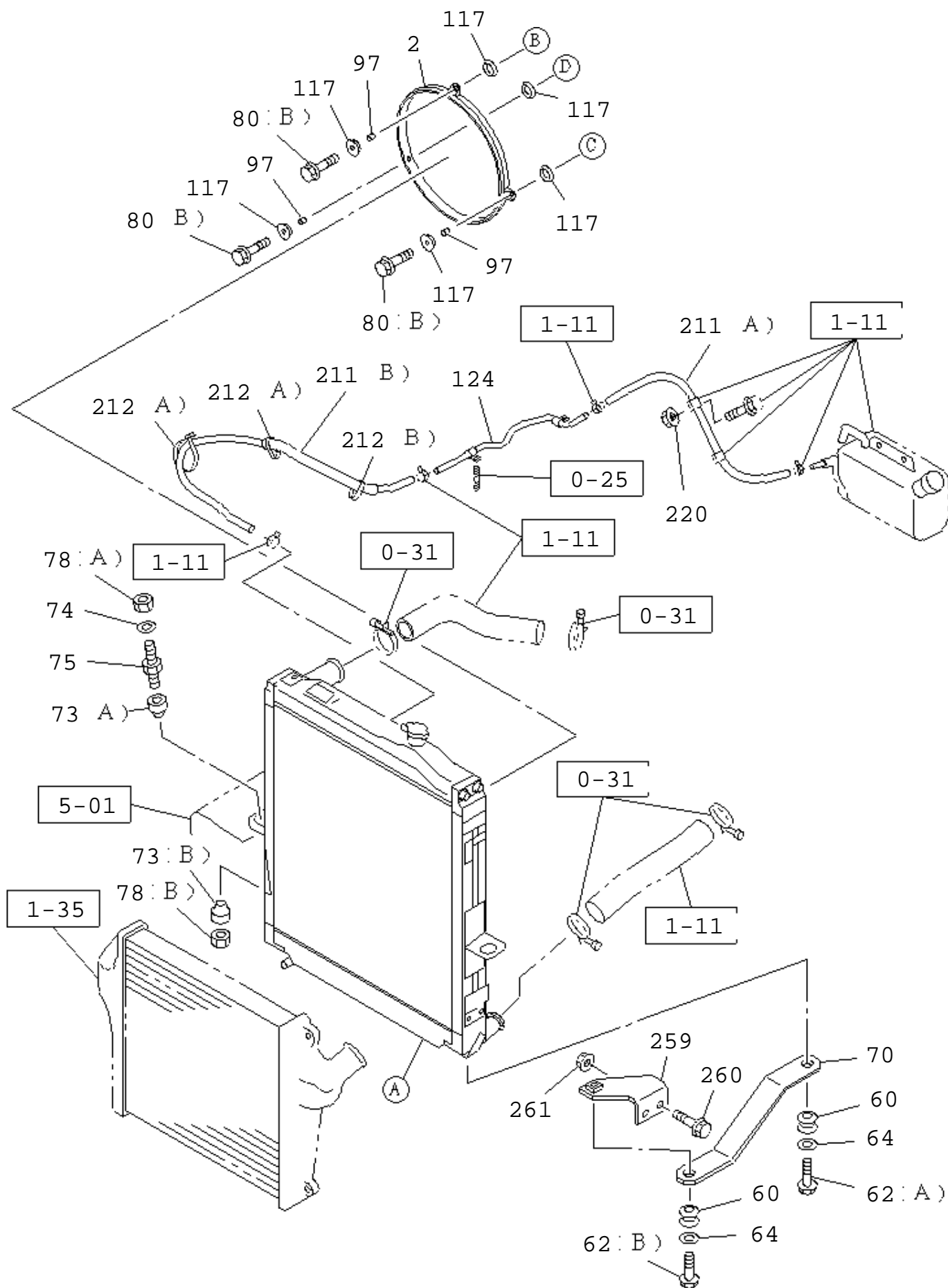
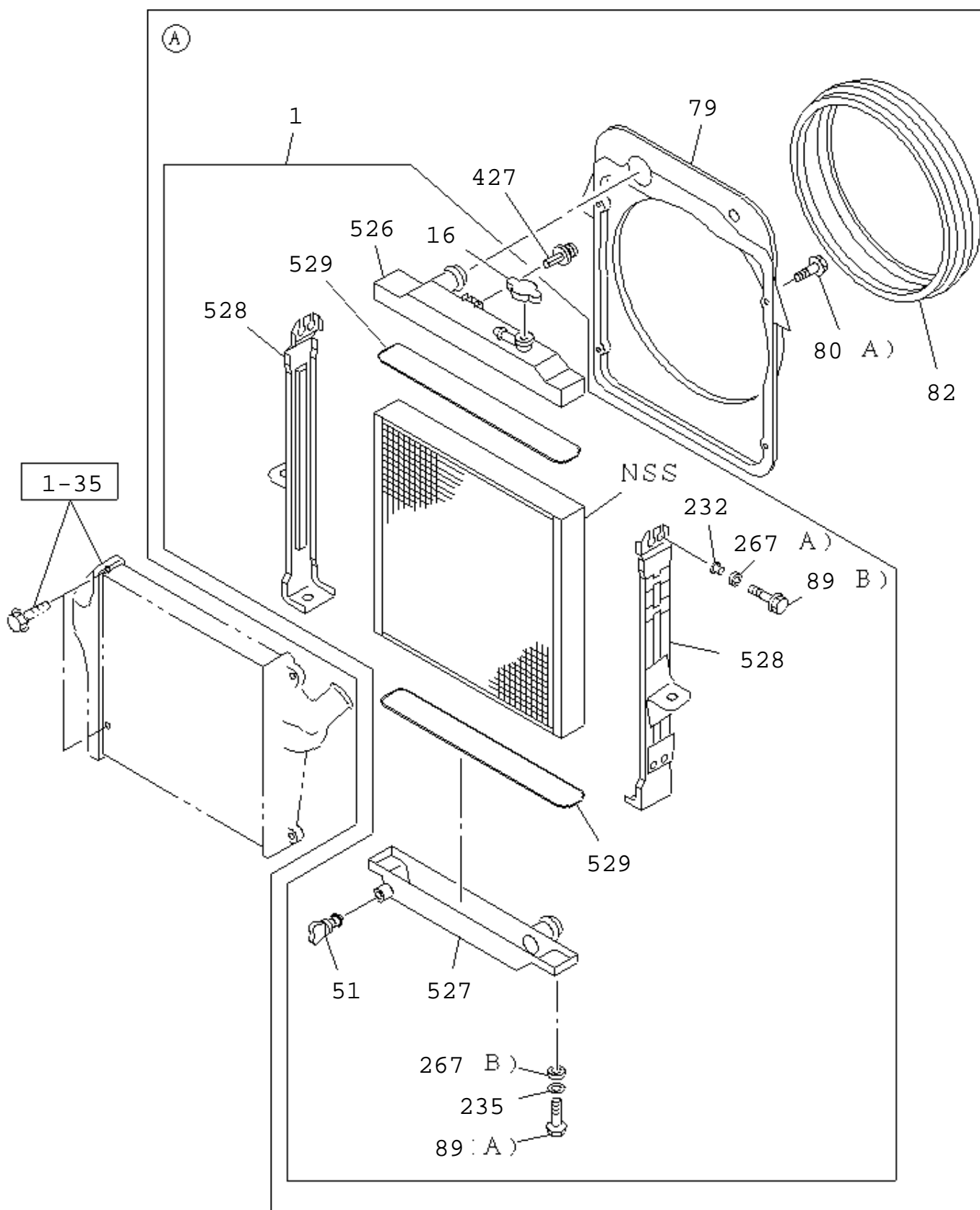


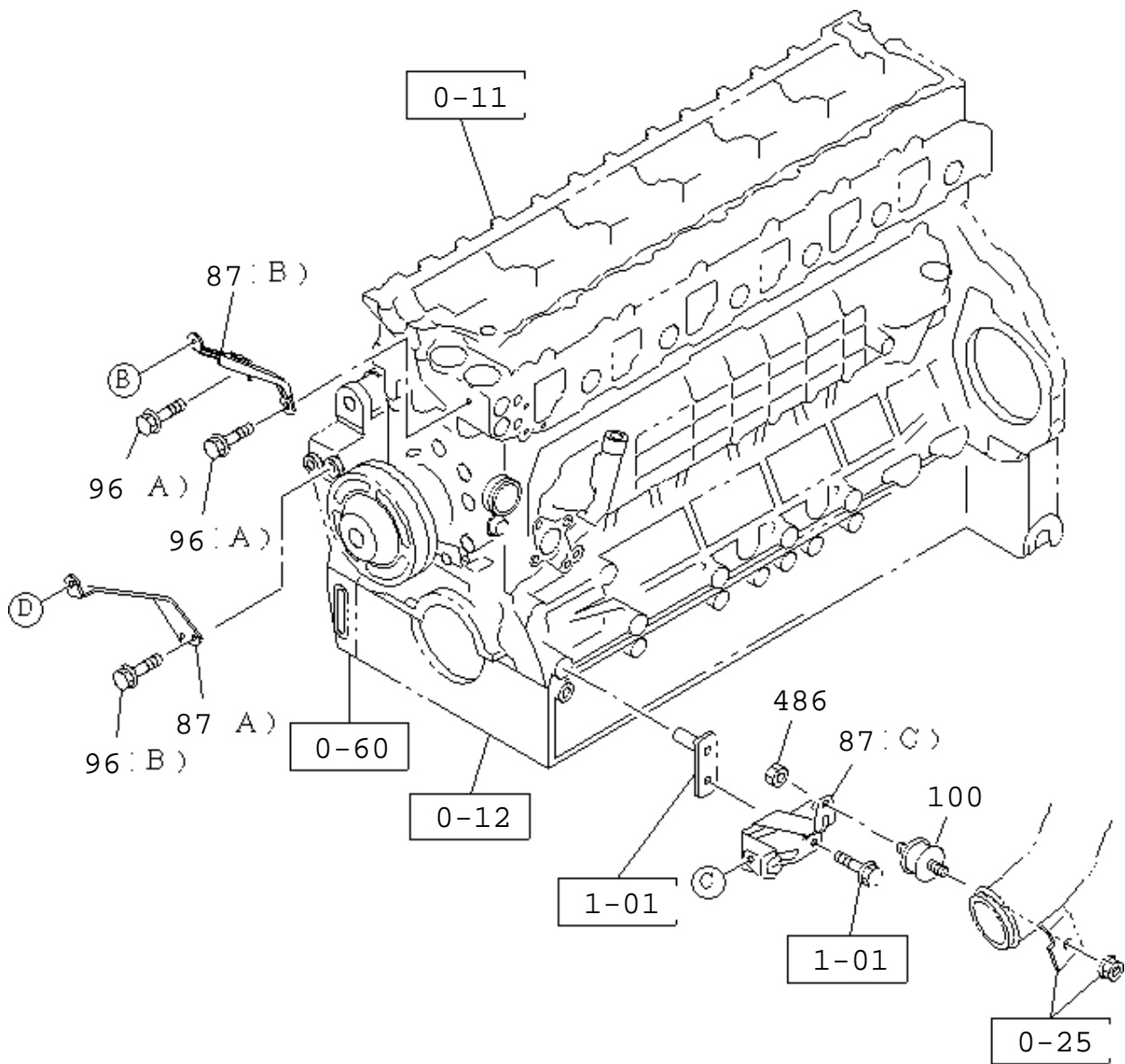
## 1-01

## ACCELERATOR PEDAL AND CONTROL

KEY	R / C	PART NAME PART NUMBER	I T C	APPLIED DATE	Qty	APPLIED MODEL	RESTRICTION/REMARKS
							A 6HK1-TCS ENG(80L)
2		LEVER; ENG CONT 8-98049-120-1		1312-	01	A	
14		PAD; PEDAL,ACCEL 8-97859-101-0		1312-	01	A	
15		STAND; HEEL,ACCEL PEDAL 8-98022-259-2		1312-	01	A	
32		SPRING; RETURN,ACCEL PEDAL 8-98031-665-0		1312-	01	A	
46		RING; SNAP,ACCEL CONT PEDAL 0-91805-504-0		1312-	01	A	
65		BOLT 0-16861-060-0		1312-	01	A	ID=4
		0-28151-020-0		1312-	01	A	(D) M10X60
		1-09980-543-0		1312-	02	A	(C) M10X20 FLANGE
		8-94279-201-0		1312-	02	A	(B) M6X28 W/LK&PL WASHER
80		LINK ASM; ENG CONT 8-98038-418-4		1312-	01	A	(A) M6X19.5 W/LK&PL WASHER
82		BUSHING; ENG CONT LVR 8-97581-053-0		1312-	01	A	
83		BRACKET; CONT LINK 8-98020-217-0		1312-	01	A	
124		NUT; LEVER 8-94368-617-0		1312-	01	A	
149		BRACKET; ENG CONT 8-98045-009-0		1312-	01	A	ID=7.9 PUSH NUT
158		NUT; BRKT 0-91180-108-0		1312-	02	A	
170		KNOB 8-98013-420-0		1312-	01	A	M8 FLANGE
230		PIN; JOINT,ACCEL PEDAL TO BRKT 8-98026-806-0		1312-	01	A	
243		SENSOR; ACCEL 8-98131-263-0		1312-	01	A	
262		SWITCH; ACCEL, IDLE 8-98013-418-0		1312-	01	A	
332		BRACKET; ACCEL PEDAL STOPPER 8-98011-468-2		1312-	01	A	
528		NUT; ACCEL SENSOR 8-94169-022-0		1312-	02	A	
664		BOLT; STOPPER 0-20850-840-0		1312-	01	A	M5 M8X40
673		NUT; STOPPER 0-91110-508-0		1312-	01	A	M8 IDN
773		HOLDER; ACCEL PEDAL 8-97352-127-0		1312-	01	A	
6-05		Move to 6-05					
6-70		Move to 6-70					
8-10		Move to 8-10					
7-40		Move to 7-40					
0-12		Move to 0-12					
1-10		Move to 1-10					







## 1-10

## RADIATOR

KEY	R / C	PART NAME PART NUMBER	I T C	APPLIED DATE	L / R	Qty	APPLIED MODEL	RESTRICTION/REMARKS
								A 6HK1-TCS ENG(80L)
1		RADIATOR ASM 8-98248-324-0		1312-		01	A	IDN
2		GUIDE; FAN 8-94393-779-1		1312-		01	A	
16	B	CAP; RAD 8-98096-226-0		1312-		01	A	
51		PLUG; DRAIN 8-97171-437-0		1312-		01	A	W/GASKET
60		GROMMET 1-09332-117-0		1312-		04	A	
62		BOLT; STAY 1-09009-020-1		1312-		02	A	(A) M8X30
		1-09009-175-0		1312-		02	A	(B) M8X26
64		WASHER; STAY TO RAD 0-91610-612-0		1312-		04	A	ID=12.5 OD=26
70		STAY; RAD 8-98004-132-2		1312-		02	A	
73		RUBBER; CUSHION,RAD MTG 1-21467-004-0		1312-		02	A	(A) T=14
		1-21467-011-1		1312-		02	A	(B) T=24
74		WASHER; PL,CUSHION RUBBER 1-09503-154-2		1312-		02	A	ID=8.4 OD=22
75		BOLT; CUSHION RUBBER,RAD MTG 1-21466-007-3		1312-		02	A	M12X26.5,M10X19 L=86.5
78		NUT; CUSHION RUBBER 0-91180-210-0		1312-		02	A	(A) M10 FLANGE
		0-91180-212-0		1312-		02	A	(B) M12 FLANGE
79		GUIDE; FAN,RAD 8-98010-384-0		1312-		01	A	IDN
80		BOLT; FAN GUIDE 0-28650-830-0		1312-		03	A	(B) M8X30 FLANGE
		8-98046-222-0		1312-		04	A	(A) M8X14 IDN
82		COVER; FAN,RAD 8-98004-211-0		1312-		01	A	IDN
87		STAY; FAN GUIDE 8-94393-776-1		1312-		01	A	(B)
		8-94393-778-2		1312-		01	A	(C)
		8-97602-988-0		1312-		01	A	(A)
89		BOLT 0-28050-612-0		1312-		02	A	(A) M6X12 FLANGE
		1-21469-153-0		1312-		04	A	(B) M8X25
96		BOLT; STAY FIX						



## 1-10

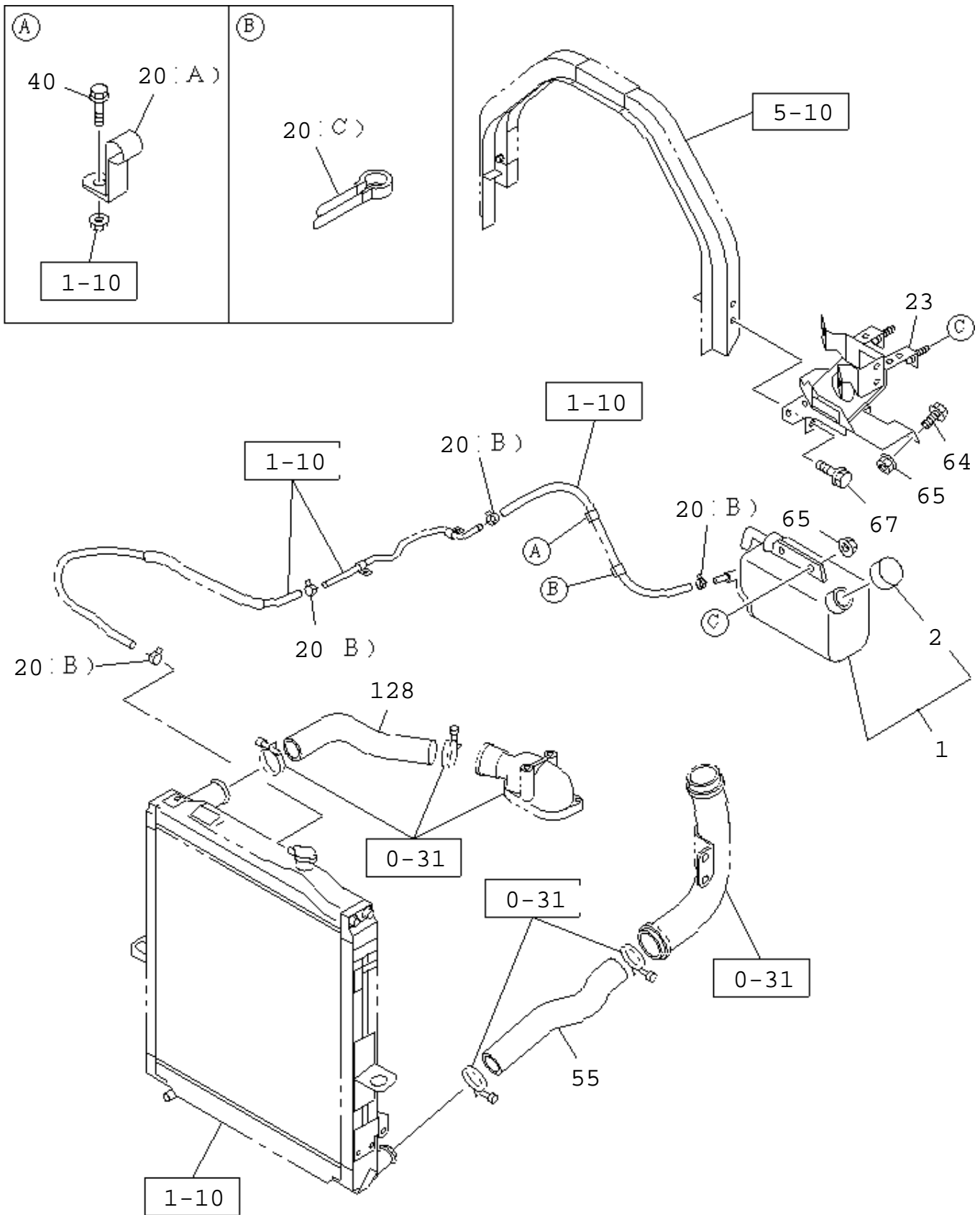
## RADIATOR

KEY	R / C	PART NAME PART NUMBER	I T C	APPLIED DATE	L / R	Qty	APPLIED MODEL	RESTRICTION/REMARKS
								A 6HK1-TCS ENG(80L)
96		0-28050-816-0		1312-		02	A	(B) M8X16 FLANGE
		0-28151-016-0		1312-		02	A	(A) M10X16 FLANGE
97		TUBE; DIST,FAN GUIDE 9-09651-072-0		1312-		03	A	
100		RUBBER; MTG 8-98148-109-0		1312-		01	A	
117		RUBBER; MTG,FAN GUIDE 8-94395-766-0		1312-		06	A	
124		PIPE; WATER,TANK TO RAD 8-97611-022-1		1312-		01	A	
211		HOSE; RAD TO PIPE 8-98073-545-0		1312-		01	A	(B) L=970 IDN
		8-98119-375-0		1312-		01	A	(A) L=560 IDN
212		CLIP; HOSE 5-09707-030-1		1312-		02	A	(A) L=250 IDN
		5-09707-031-1		1312-		01	A	(B) L=140 IDN
220		NUT; CLIP 0-91180-108-0		1312-		01	A	
232		COLLAR; DIST,CUSHION RUBBER 8-98141-232-0		1312-		04	A	M8 FLANGE
235		WASHER; CUSHION RUBBER 1-21469-133-0		1312-		02	A	IDN
259		BRACKET; RAD STAY 8-98071-821-0		1312-	L	01	A	
		8-98071-822-0		1312-	R	01	A	
260		BOLT; BRKT 0-28650-820-0		1312-		04	A	M8X20 FLANGE IDN
261		NUT; BRKT 0-91180-108-0		1312-		04	A	M8 FLANGE
267		RUBBER; CUSHION 1-21469-130-0		1312-		04	A	(A) IDN
		1-21469-131-0		1312-		02	A	(B) IDN
427		CLIP; FAN GUIDE 1-09470-009-0		1312-		01	A	
486		NUT; MTG RUBBER 0-91180-108-0		1312-		01	A	M8 FLANGE
526		TANK; UPR,RADIATOR CORE 8-98004-202-2		1312-		01	A	IDN
527		TANK; LWR,RADIATOR CORE 8-98004-203-0		1312-		01	A	IDN
528		PLATE; SIDE,RADIATOR CORE 8-98010-372-4		1312-	L	01	A	IDN
		8-98185-754-0		1312-	R	01	A	IDN
529		GASKET; CORE,RADIATOR						

1-10

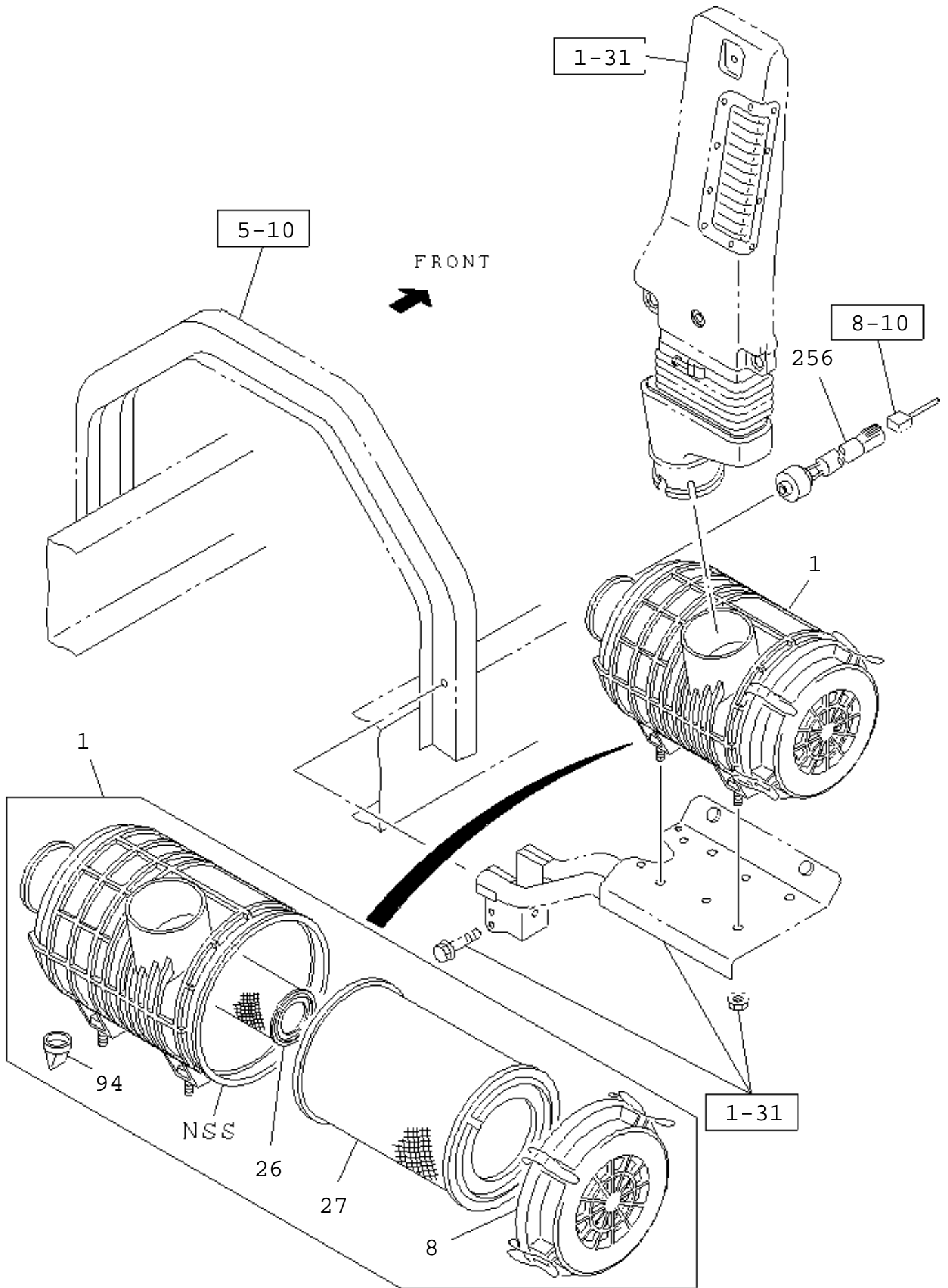
RADIATOR

KEY	R / C	PART NAME PART NUMBER	I T C	APPLIED DATE	L / R	Qty	APPLIED MODEL	RESTRICTION/REMARKS
								A 6HK1-TCS ENG(80L)
529		8-98004-206-0		1312-		02	A	IDN
0-25		Move to 0-25						
0-31		Move to 0-31						
1-11		Move to 1-11						
1-35		Move to 1-35						
5-01		Move to 5-01						
0-11		Move to 0-11						
0-12		Move to 0-12						
0-60		Move to 0-60						
1-01		Move to 1-01						



**1-11 RADIATOR HOSE AND SUB TANK**

KEY	R / C	PART NAME PART NUMBER	I T C	APPLIED DATE	Qty	APPLIED MODEL	RESTRICTION/REMARKS
							A 6HK1-TCS ENG(80L)
1		TANK; SURGE,RAD 8-98171-757-0		1312-	01	A	(A) ID=13 H=40 L=25  (B) ID=11.5  (C) ID=20 L=50  M8X20 FLANGE IDN  IDN  M8X25 W/LK&PL WASHER  M8 FLANGE  M8X20 FLANGE IDN  IDN
2		CAP; SURGE TANK 8-98178-074-0		1312-	01	A	
20		CLIP; HOSE,RAD 1-09700-620-0		1312-	01	A	
		8-97375-638-0		1312-	04	A	
		9-09917-430-0		1312-	01	A	
23		BRACKET; RESERVE TANK 8-98049-965-4		1312-	01	A	
40		BOLT; CLIP 0-28650-820-0		1312-	01	A	
55	B	HOSE; WATER,RAD OUTLET 8-98079-430-1		1312-	01	A	
64		BOLT; BRKT,SUB TANK 1-09030-093-0		1312-	01	A	
65		NUT; BRKT,SUB TANK 0-91180-108-0		1312-	03	A	
67		BOLT; BRKT 0-28650-820-0		1312-	03	A	
128	B	HOSE; WATER,RAD INL 8-98010-578-1		1312-	01	A	
0-31		Move to 0-31					
1-10		Move to 1-10					
5-10		Move to 5-10					



1-30

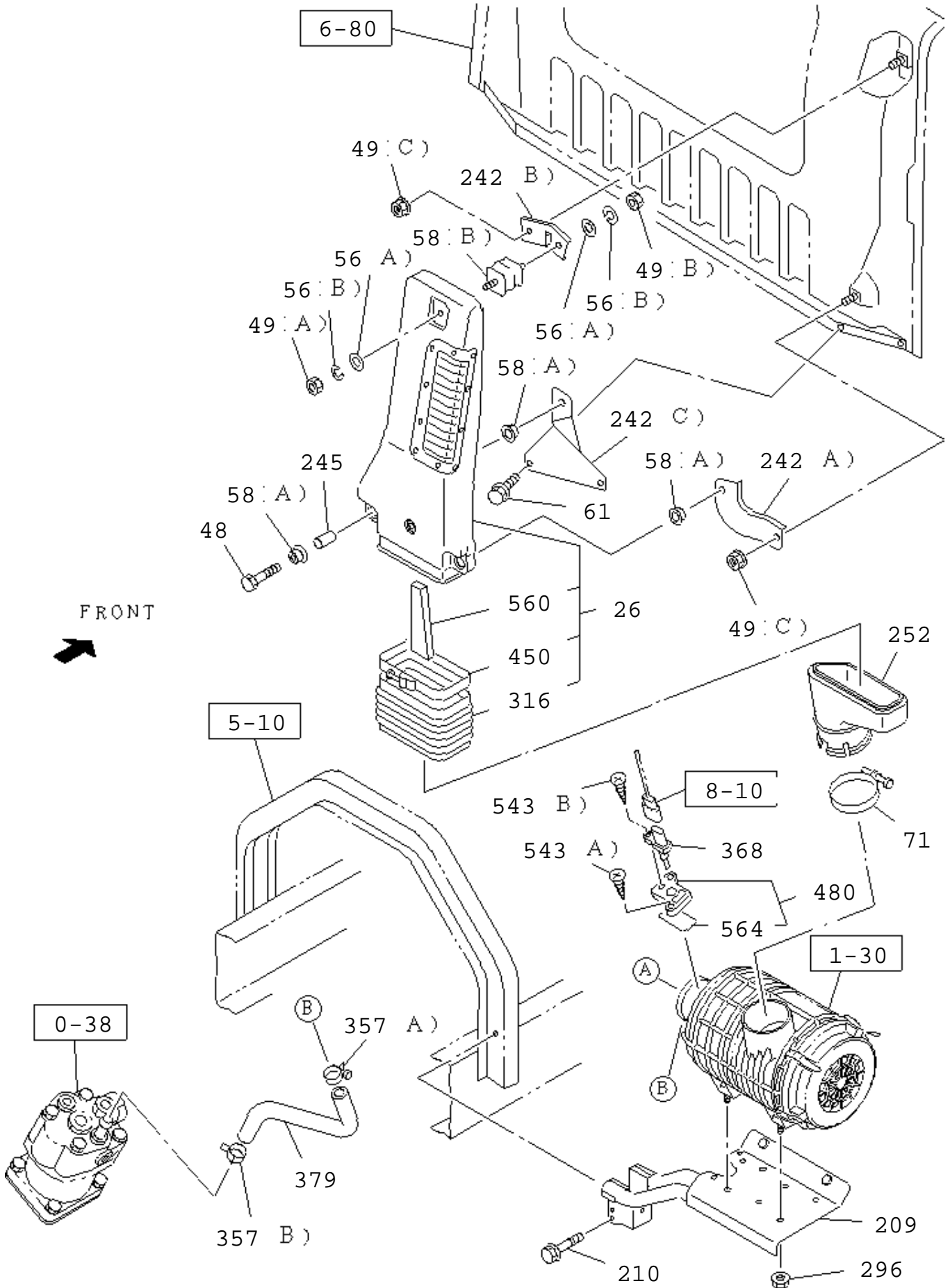
## AIR CLEANER

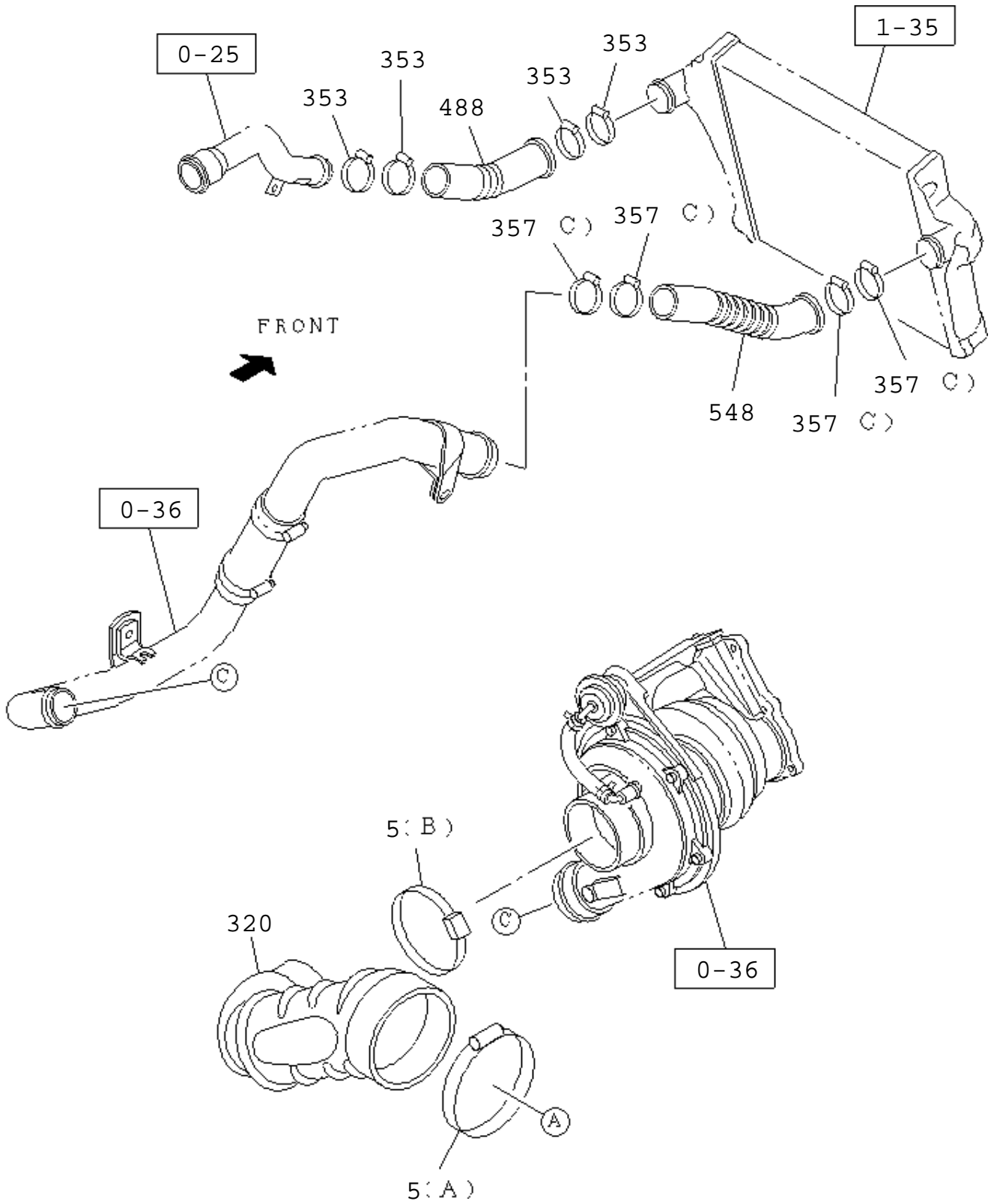
KEY	R / C	PART NAME PART NUMBER	I T C	APPLIED DATE	Qty	APPLIED MODEL	RESTRICTION/REMARKS
							A 6HK1-TCS ENG(80L)
1		CLEANER ASM; AIR 8-97948-127-0		1402-	01	A	VIN MODEL YEAR 2014<VZE> IDN
		8-98057-666-3		1312-1401	01	A	
		8-98057-666-3		1402-	01	A	EXC. VIN MODEL YEAR 2014<VZE>
8		COVER ASM; ACL 8-98066-739-0		1312-	01	A	IDN
26	A	FILTER; ACL, INNER 8-97948-921-0		1402-	01	A	VIN MODEL YEAR 2014<VZE> IDN
		8-98071-424-0		1312-1401	01	A	
		8-98071-424-0		1402-	01	A	EXC. VIN MODEL YEAR 2014<VZE>
27	A	FILTER; ACL, OUTER 8-97948-920-0		1402-	01	A	VIN MODEL YEAR 2014<VZE> IDN
		8-98071-423-0		1312-1401	01	A	
		8-98071-423-0		1402-	01	A	DRY TYPE EXC. VIN MODEL YEAR 2014<VZE> DRY TYPE
94		VALVE; VACUATOR 1-14219-279-0		1312-	01	A	IDN
256		SENSOR; AIRFLOW 8-98152-742-1		1312-	01	A	
1-31		Move to 1-31					
5-10		Move to 5-10					
8-10		Move to 8-10					

11567 FVZ/GVZ (INDONESIA) 2014-

1-31 AIR DUCT

DUCT FIXING







## 1-31

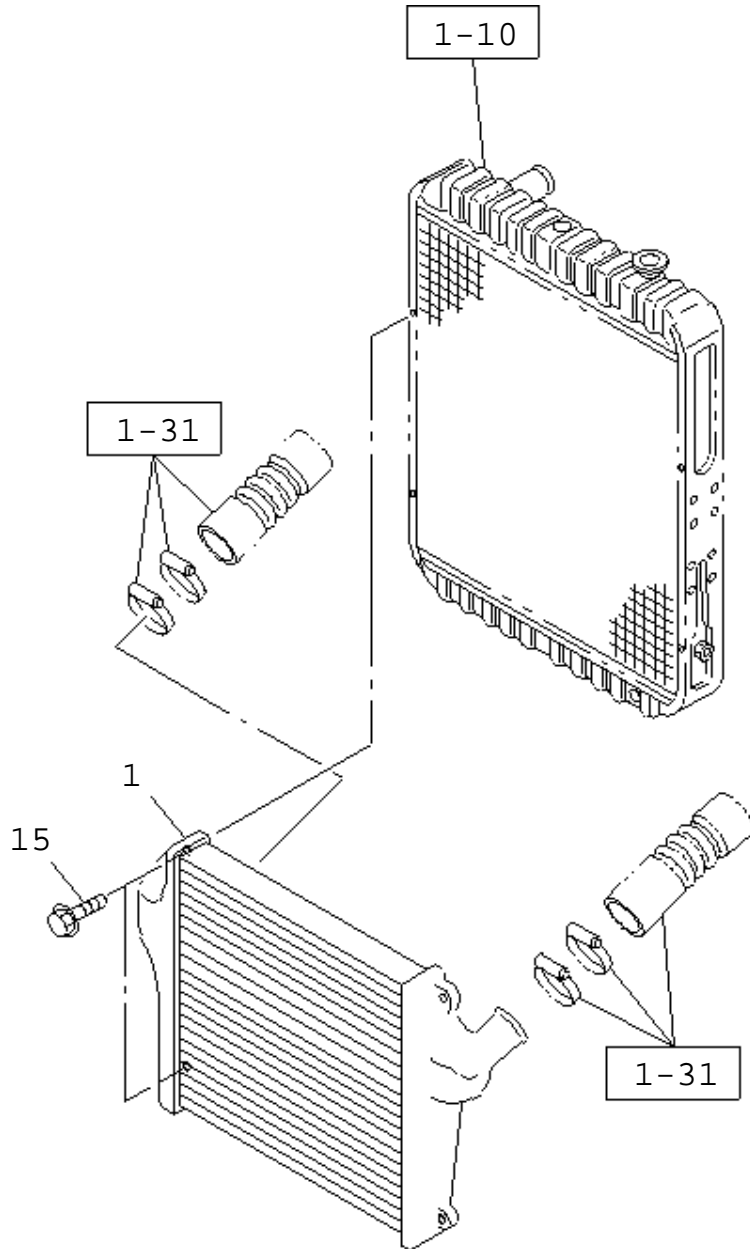
## AIR DUCT

KEY	R / C	PART NAME PART NUMBER	I T C	APPLIED DATE	Qty	APPLIED MODEL	RESTRICTION/REMARKS
							A 6HK1-TCS ENG(80L)
5		CLIP; AIR DUCT 8-98133-360-0		1312-	01	A	(A) ID=130-150
		8-98133-365-0		1312-	01	A	(B) ID=90-110
26		DUCT; AIR INT 8-98010-361-2		1312-	01	A	
48		BOLT; AIR DUCT 1-09030-044-1		1312-	02	A	M10X26
49		NUT; AIR DUCT 1-09984-122-0		1312-	01	A	(B) M8 FLANGE
		1-09984-126-0		1312-	01	A	(A) M8 FLANGE
		8-94279-517-0		1312-	02	A	(C) M8 FLANGE IDN
56		WASHER; LK,AIR INT DUCT 1-09985-177-0		1312-	02	A	(A) ID=8.2
		1-09985-188-0		1312-	02	A	(B) ID=8.4 OD=22
58		SUPPORT; AIR INL DUCT 1-14119-267-0		1312-	04	A	(A) OD=40 T=18.5
		8-98125-944-1		1312-	01	A	(B)
61		BOLT; BRKT,AIR DUCT 8-98074-570-0		1312-	02	A	M8X25 FLANGE
71		CLIP; AIR DUCT 8-98133-368-0		1312-	01	A	ID=140-160
209		BRACKET; ACL 8-97948-148-0		1312-	01	A	IDN
210		BOLT; ACL BRKT 0-28651-025-0		1312-	04	A	M10X25 FLANGE IDN
242		BRACKET; AIR DUCT 8-98019-301-3		1312-	01	A	(B)
		8-98019-302-1		1312-	01	A	(C)
		8-98019-304-1		1312-	01	A	(A)
245		PIECE; DIST,AIR DUCT 1-79998-228-0		1312-	02	A	
252		DUCT; AIR INT 8-98021-989-1		1312-	01	A	
296		NUT; ACL 0-91180-108-0		1312-	04	A	M8 FLANGE
316		RUBBER; CUSHION,DUCT 8-98152-269-0		1312-	01	A	
320		HOSE; CONN,ACL 8-98073-259-0		1312-	01	A	IDN
353		CLIP; RUBBER HOSE 8-98133-349-0		1312-	04	A	ID=55-75
357		CLIP; RUBBER HOSE 1-09707-091-0		1312-	01	A	(A) ID=26

## 1-31

## AIR DUCT

KEY	R / C	PART NAME PART NUMBER	I T C	APPLIED DATE	Qty	APPLIED MODEL	RESTRICTION/REMARKS
							A 6HK1-TCS ENG(80L)
357		8-97354-979-0		1312-	01	A	(B) ID=29.5
		8-98133-349-0		1312-	04	A	(C) ID=55-75
368		SENSOR; TEMP 8-98065-377-0		1312-	01	A	
379		HOSE; RUBBER 8-97639-463-0		1312-	01	A	IDN
450		CLAMP; HOSE 9-09915-504-1		1312-	01	A	
480		ADAPTER 8-98086-417-0		1312-	01	A	
488		HOSE; RUBBER,PIPE 8-98012-936-1		1312-	01	A	
543		SCREW; SENSOR 0-36220-514-0		1312-	01	A	(B) M5X14 W/LK WASHER
		0-36230-412-0		1312-	02	A	(A) M4X12 W/LK&PL WASHER
548		HOSE; RUBBER,TURBO TO INL PIPE 8-98181-974-1		1312-	01	A	IDN
560		FILTER; VERTICAL DUCT 8-98061-675-0		1312-	02	A	
564		GASKET; ADAPTER 8-98071-416-0		1312-	01	A	
0-38		Move to 0-38					
1-30		Move to 1-30					
5-10		Move to 5-10					
6-80		Move to 6-80					
8-10		Move to 8-10					
0-25		Move to 0-25					
0-36		Move to 0-36					
1-35		Move to 1-35					

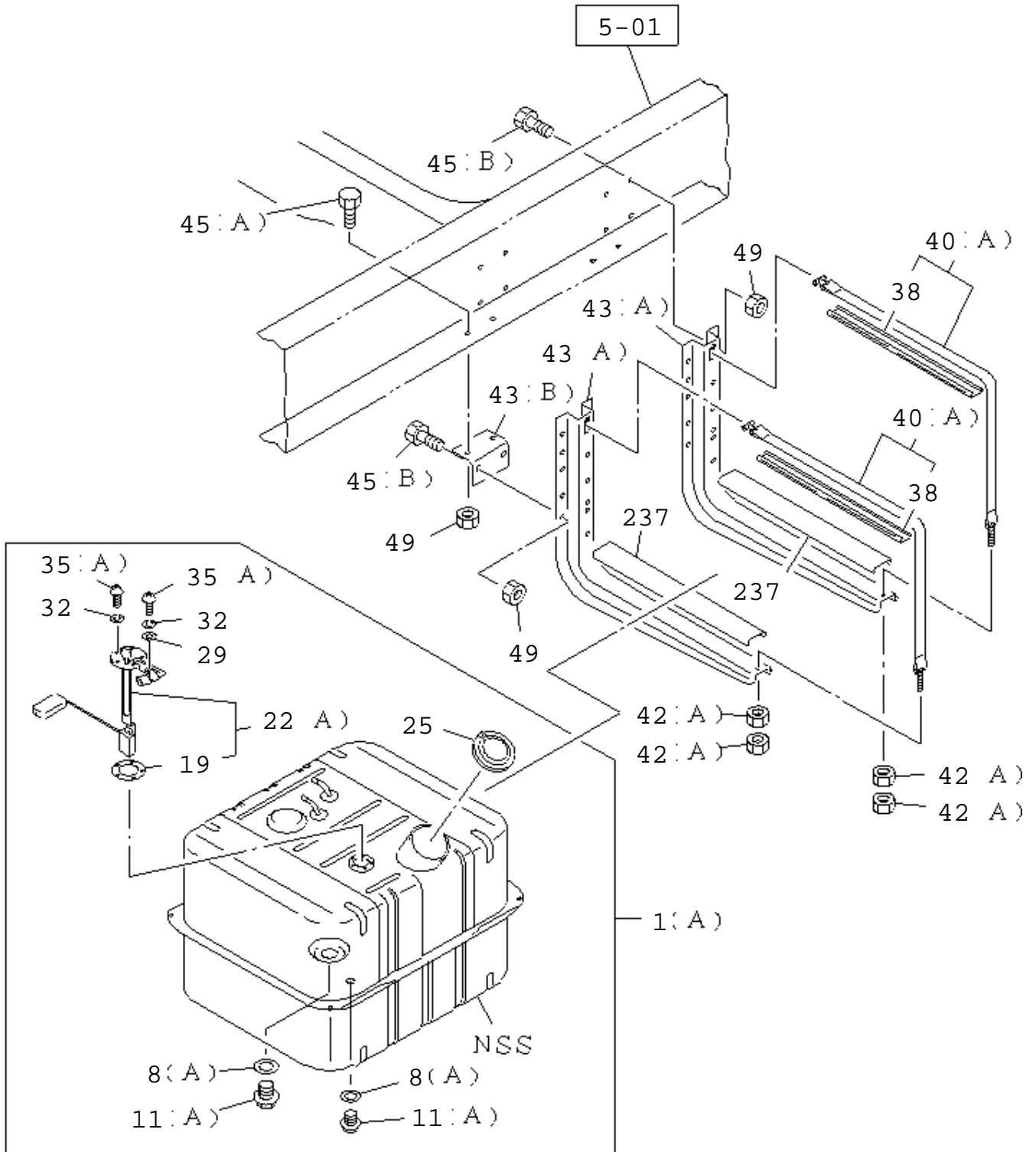


1-35

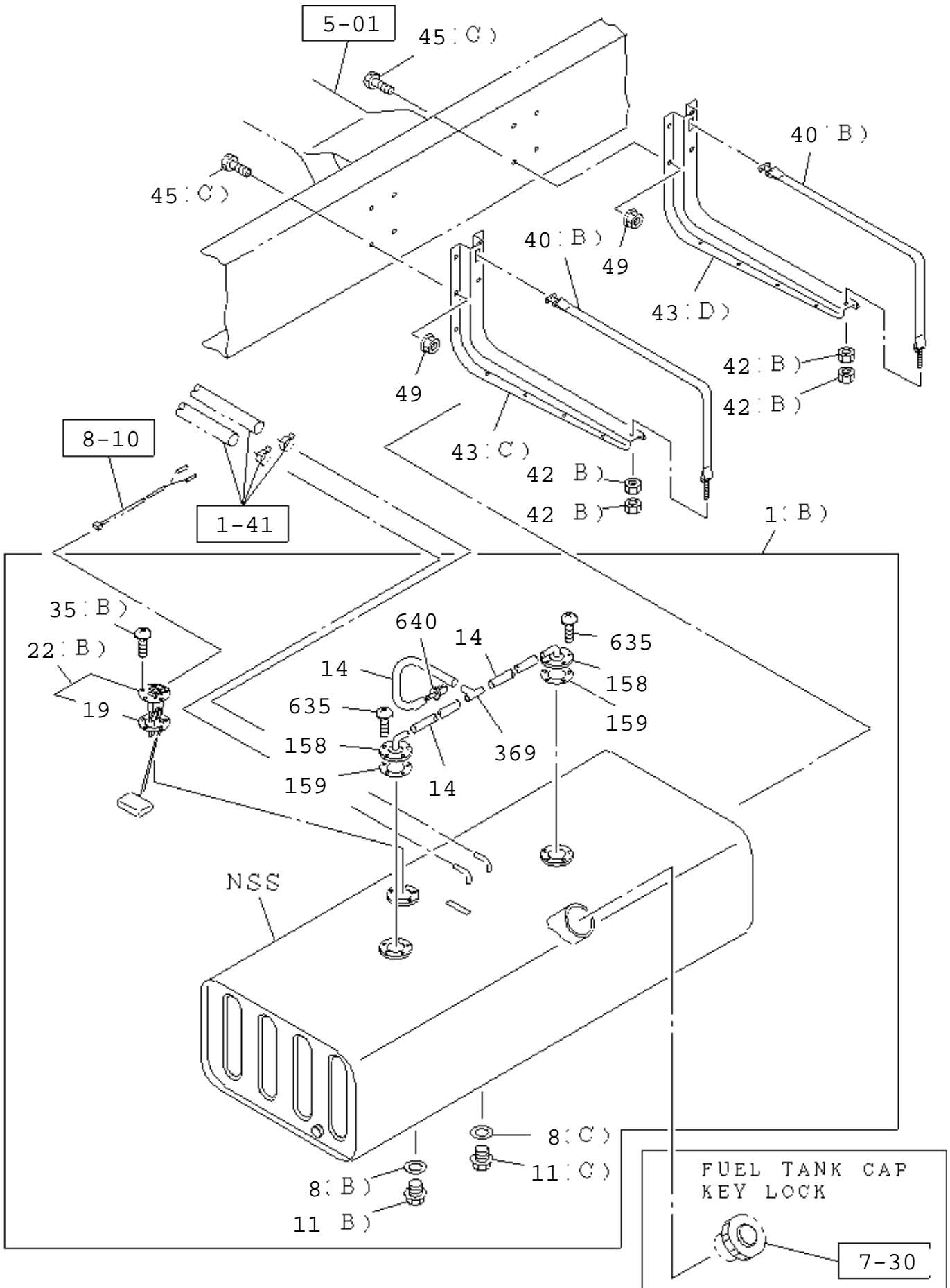
**CHARGE AIR COOLER**

KEY	R / C	PART NAME PART NUMBER	I T C	APPLIED DATE	Qty	APPLIED MODEL	RESTRICTION/REMARKS
							A 6HK1-TCS ENG(80L)
1		COOLER; CHARGE AIR 8-98047-633-0		1312-	01	A	IDN
15		BOLT; CHARGE AIR COOLER 1-21469-151-0		1312-	04	A	IDN
1-10		Move to 1-10					
1-31		Move to 1-31					

**1-40 FUEL TANK**  
 EXC. LOCALLY SUPPLIED PARTS

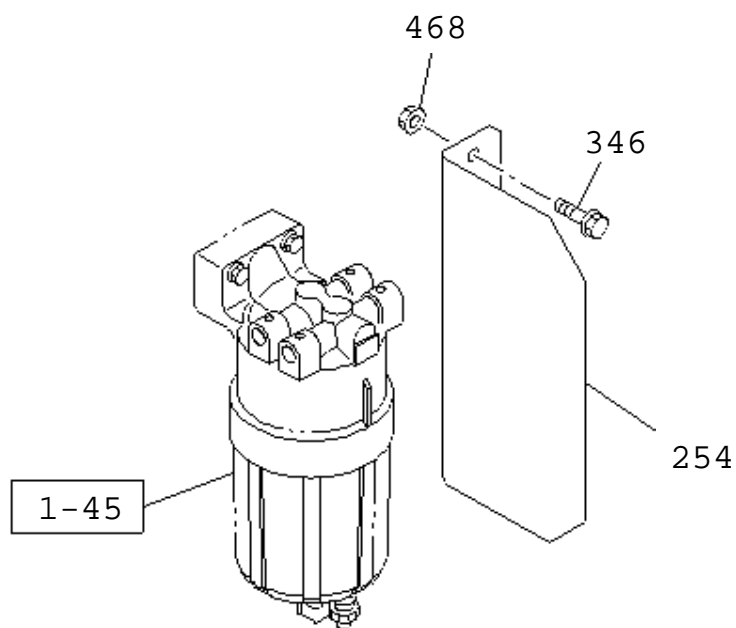


**1-40 FUEL TANK**  
 LOCALLY SUPPLIED PARTS



**1-40 FUEL TANK**  
FUEL FILTER GUARD

---



KEY	R / C	PART NAME PART NUMBER	I T C	APPLIED DATE	L / R	Qty	APPLIED MODEL	RESTRICTION/REMARKS
								A FVZ WIDE CAB(FGZ5MV) B GVZ WIDE CAB(GGZ5MV)
1		TANK; FUEL 8-98122-992-3		1312-1403	L	01	A	LOCALLY SUPPLIED PARTS<TKH> (B) 1345X532X322 200L IDN
		8-98122-992-3		1404-	L	01	AB	LOCALLY SUPPLIED PARTS<TKH> (B) 1345X532X322 200L IDN
		8-98182-507-0		1312-		01	A	EXC. LOCALLY SUPPLIED PARTS<TKH> (A) 720X610X496 200L
8		GASKET; DRAIN PLUG, FUEL TANK 8-98067-041-0		1312-1403	L	01	A	LOCALLY SUPPLIED PARTS<TKH> (B) ID=30 IDN
		8-98067-041-0		1404-	L	01	AB	LOCALLY SUPPLIED PARTS<TKH> (B) ID=30 IDN
		9-09571-418-0		1312-1403	L	01	A	LOCALLY SUPPLIED PARTS<TKH> (C) ID=18 IDN
		9-09571-418-0		1404-	L	01	AB	LOCALLY SUPPLIED PARTS<TKH> (C) ID=18 IDN
		9-09572-014-0		1312-		02	A	EXC. LOCALLY SUPPLIED PARTS<TKH> (A) ID=14.2 OD=23.0 IDN
11		PLUG; DRAIN, FUEL TANK 0-92002-418-0		1312-1403	L	01	A	LOCALLY SUPPLIED PARTS<TKH> (C) M18X12 IDN
		0-92002-418-0		1404-	L	01	AB	LOCALLY SUPPLIED PARTS<TKH> (C) M18X12 IDN
		8-98067-038-0		1312-1403	L	01	A	LOCALLY SUPPLIED PARTS<TKH> (B) M30 IDN
		8-98067-038-0		1404-	L	01	AB	LOCALLY SUPPLIED PARTS<TKH> (B) M30 IDN
		9-09862-156-0		1312-		02	A	EXC. LOCALLY SUPPLIED PARTS<TKH> (A) M14X14 IDN
14		HOSE; BREATHER, OUTLET 0-01256-300-0		1312-1403	L	01	A	LOCALLY SUPPLIED PARTS<TKH> L=90 SERVICED BY L=3000
		0-01256-300-0		1404-	L	01	AB	LOCALLY SUPPLIED PARTS<TKH> L=90 SERVICED BY L=3000
		0-01256-300-0		1312-1403	L	01	A	LOCALLY SUPPLIED PARTS<TKH> L=440 SERVICED BY L=3000
		0-01256-300-0		1404-	L	01	AB	LOCALLY SUPPLIED PARTS<TKH> L=440 SERVICED BY L=3000
		0-01256-300-0		1312-1403	L	01	A	LOCALLY SUPPLIED PARTS<TKH> L=450 SERVICED BY L=3000
		0-01256-300-0		1404-	L	01	AB	LOCALLY SUPPLIED PARTS<TKH> L=450 SERVICED BY L=3000
19		GASKET; FUEL TANK UNIT						

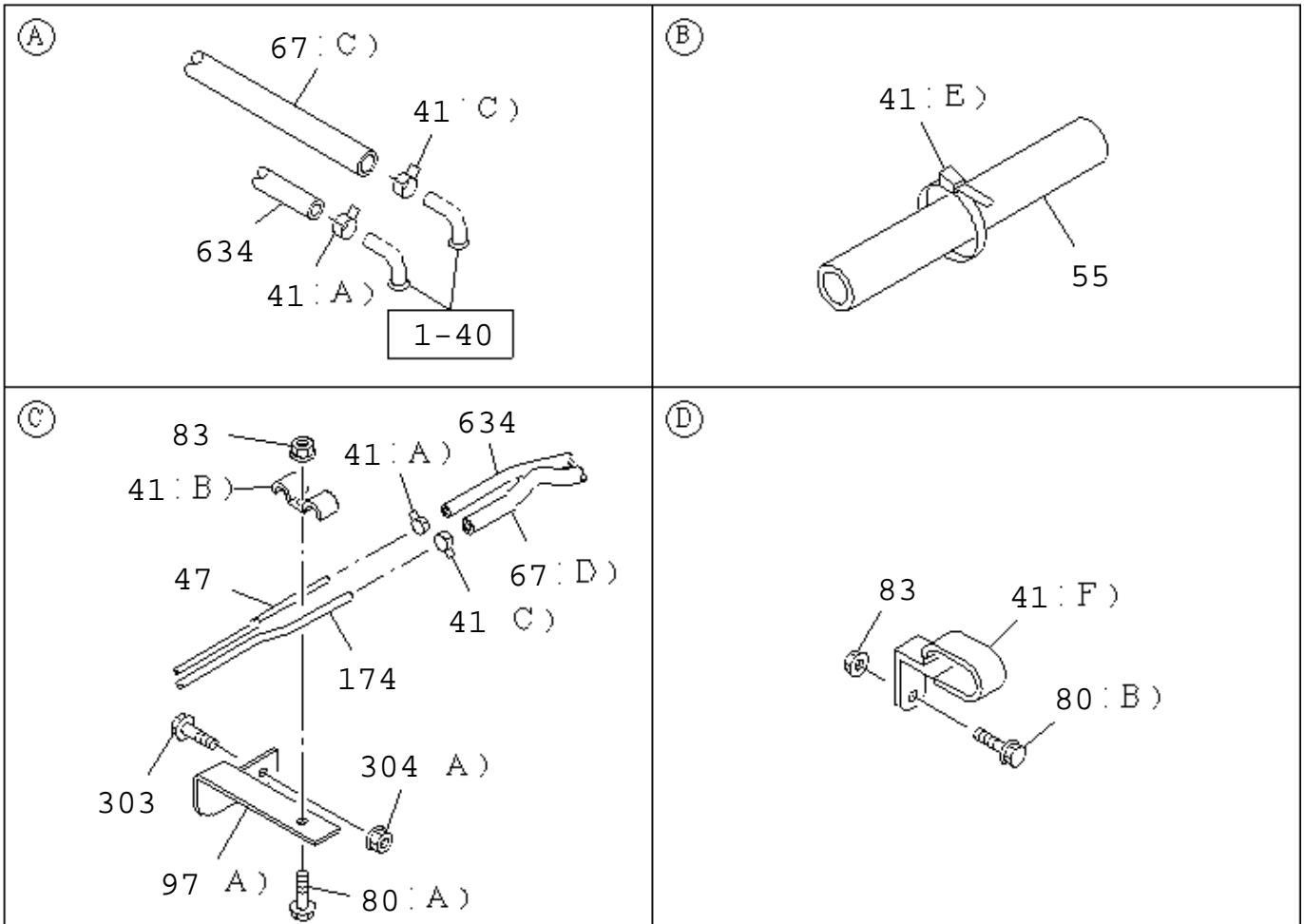
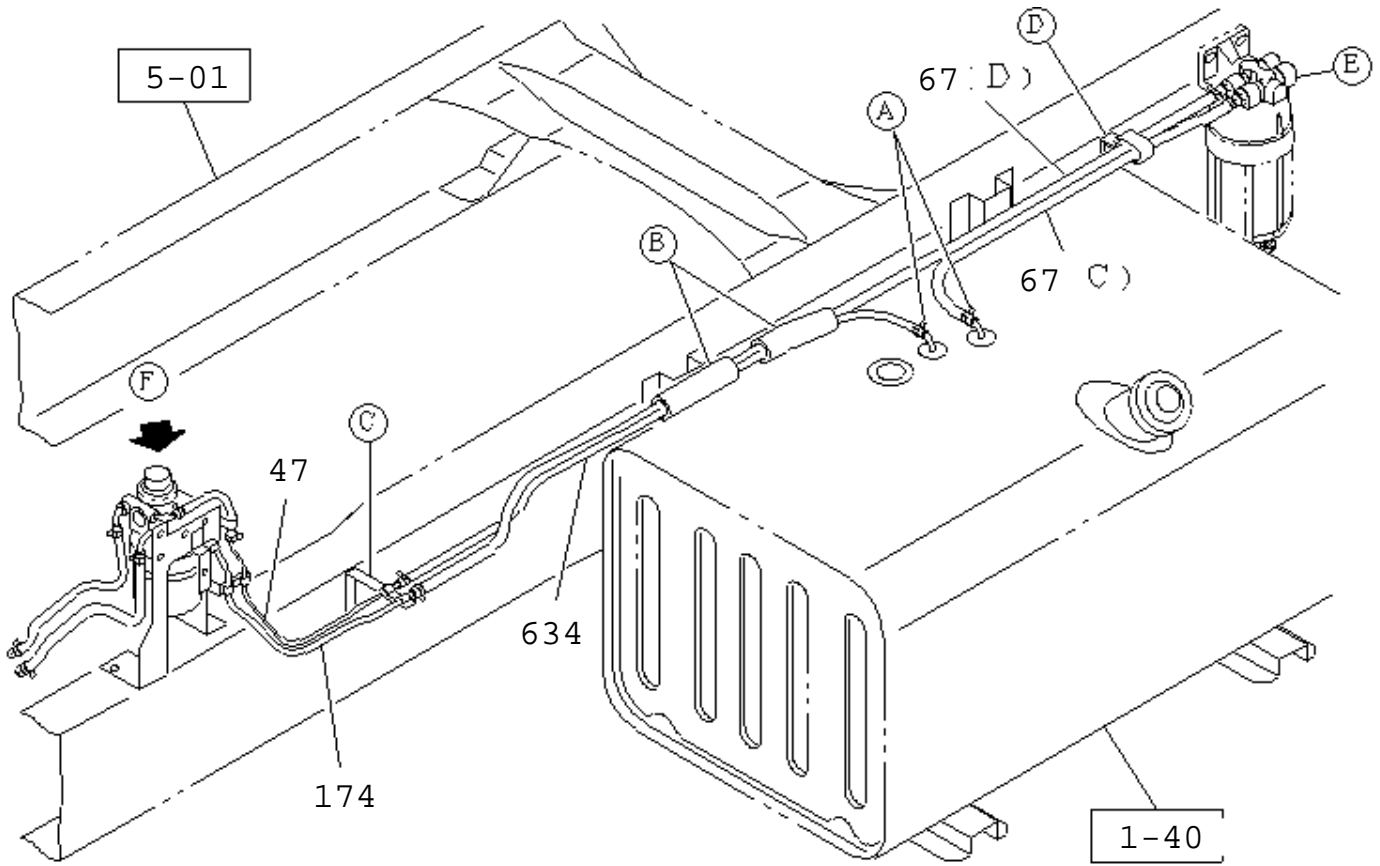


## FUEL TANK

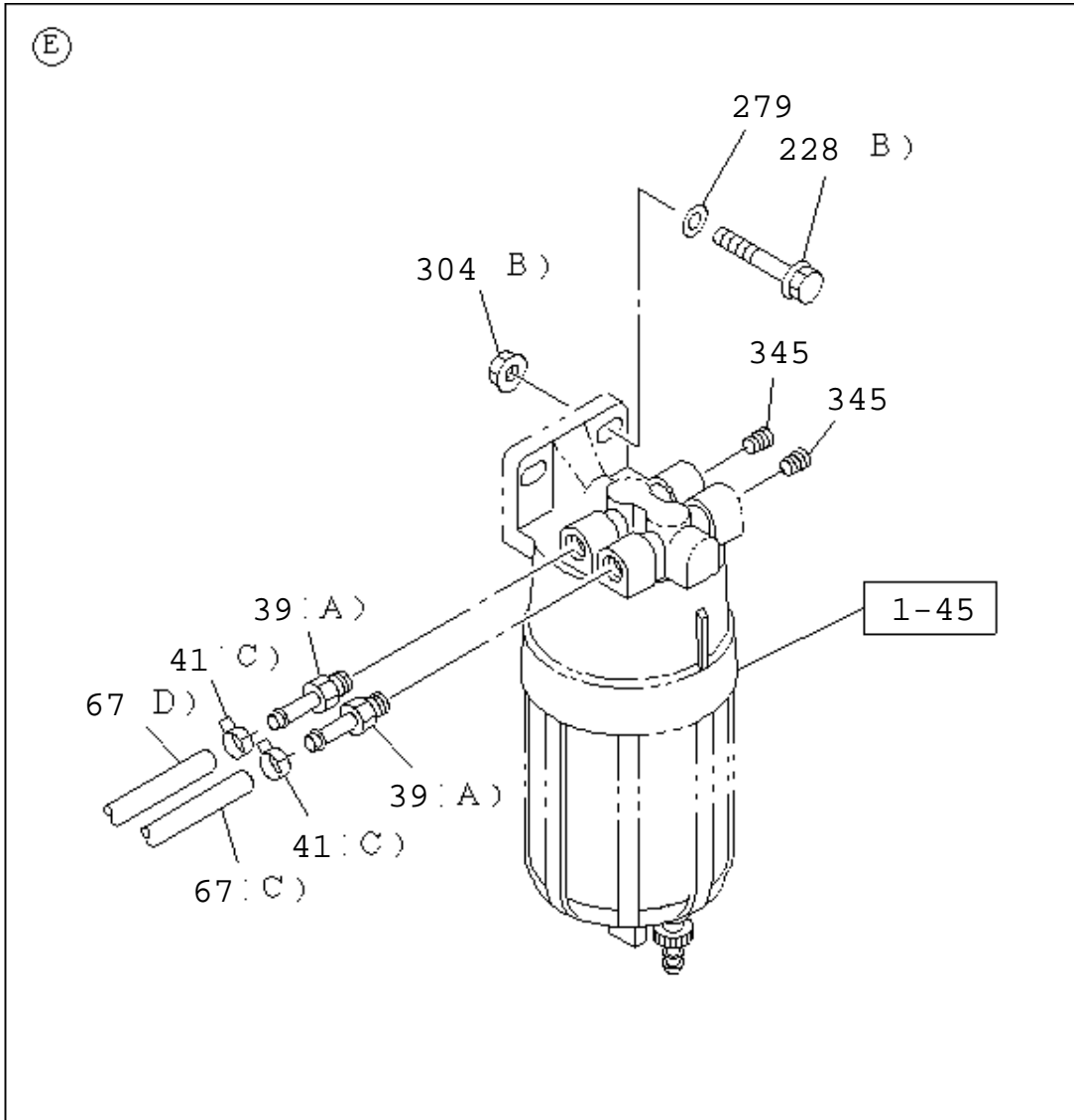
KEY	R / C	PART NAME PART NUMBER	I T C	APPLIED DATE	L / R	Qty	APPLIED MODEL	RESTRICTION/REMARKS	
								A	B
19		5-83148-001-0		1312-1403		01	A		
		5-83148-001-0		1404-		01	A		
		5-83148-001-0		1404-		01	B		LOCALLY SUPPLIED PARTS<TKH>
22		UNIT; FUEL TANK 8-98099-320-0		1312-1403	L	01	A		LOCALLY SUPPLIED PARTS<TKH> (B) IDN
		8-98099-320-0		1404-	L	01	AB		LOCALLY SUPPLIED PARTS<TKH> (B) IDN
		1-83141-124-0		1312-		01	A		EXC. LOCALLY SUPPLIED PARTS<TKH> (A)
25	B	CAP; FILLER, FUEL TANK 1-22440-046-1		1312-		01	A		EXC. LOCALLY SUPPLIED PARTS<TKH>
29		WASHER; PL, FUEL TANK UNIT 0-91610-505-0		1312-		01	A		EXC. LOCALLY SUPPLIED PARTS<TKH> ID=5.3
32		WASHER; LK, FUEL TANK UNIT 0-91510-505-0		1312-		05	A		EXC. LOCALLY SUPPLIED PARTS<TKH> ID=5.1
35		SCREW; FUEL TANK UNIT 0-36220-512-0		1312-1403	L	05	A		LOCALLY SUPPLIED PARTS<TKH> (B) M5X12 W/LK WASHER
		0-36220-512-0		1404-	L	05	AB		LOCALLY SUPPLIED PARTS<TKH> (B) M5X12 W/LK WASHER
		0-34218-510-0		1312-		05	A		EXC. LOCALLY SUPPLIED PARTS<TKH> (A) M5X10
38		INSULATION; SUPPORT BELT 1-22553-022-1		1312-		02	A		EXC. LOCALLY SUPPLIED PARTS<TKH> L=650
40		BELT; SUPPORT, FUEL TANK 8-98042-715-1		1312-1403		02	A		LOCALLY SUPPLIED PARTS<TKH> (B) L=880
		8-98042-715-1		1404-		02	AB		IDN LOCALLY SUPPLIED PARTS<TKH> (B) L=880
		1-22550-204-2		1312-		02	A		IDN EXC. LOCALLY SUPPLIED PARTS<TKH> (A) L=1030
42		NUT; SUPPORT BELT 0-91110-512-0		1312-1403		04	A		LOCALLY SUPPLIED PARTS<TKH> (B) M12
		0-91110-512-0		1404-		04	AB		LOCALLY SUPPLIED PARTS<TKH> (B) M12
		0-91110-510-0		1312-		04	A		EXC. LOCALLY SUPPLIED PARTS<TKH> (A) M10
43		BRACKET; FUEL TANK 8-98088-123-0		1312-1403		01	A		LOCALLY SUPPLIED PARTS<TKH> (C) IDN
		8-98088-123-0		1404-		01	AB		LOCALLY SUPPLIED PARTS<TKH> (C) IDN
		8-98122-883-0		1312-1403		01	A		LOCALLY SUPPLIED PARTS<TKH> (D) IDN
		8-98122-883-0		1404-		01	AB		LOCALLY SUPPLIED PARTS<TKH> (D) IDN
		8-98182-492-0		1312-		01	A		EXC. LOCALLY SUPPLIED PARTS<TKH> (B) FRONT
		8-98182-493-0		1312-		01	A		EXC. LOCALLY SUPPLIED PARTS<TKH> (B) REAR
		8-98202-542-0		1312-		02	A		EXC. LOCALLY SUPPLIED PARTS<TKH> (A)

KEY	R / C	PART NAME PART NUMBER	I T C	APPLIED DATE	L / R	Qty	APPLIED MODEL	RESTRICTION/REMARKS
								A FVZ WIDE CAB(FGZ5MV) B GVZ WIDE CAB(GGZ5MV)
45		BOLT; BRKT,FUEL TANK 0-28651-240-0		1312-1403		08	A	LOCALLY SUPPLIED PARTS<TKH> (C) M12X40 FLANGE
		0-28651-240-0		1404-		08	AB	LOCALLY SUPPLIED PARTS<TKH> (C) M12X40 FLANGE
		0-28051-250-0		1312-		04	A	EXC. LOCALLY SUPPLIED PARTS<TKH> (A) M12X50 FLANGE
		0-28651-235-0		1312-		12	A	EXC. LOCALLY SUPPLIED PARTS<TKH> (B) M12X35 FLANGE
49		NUT; BRKT 0-91180-212-0		1312-1403		08	A	LOCALLY SUPPLIED PARTS<TKH> M12 FLANGE
		0-91180-212-0		1404-		08	AB	LOCALLY SUPPLIED PARTS<TKH> M12 FLANGE
		0-91180-212-0		1312-		16	A	EXC. LOCALLY SUPPLIED PARTS<TKH> M12 FLANGE
158		VALVE; ROLL OVER & FLOAT 8-98067-039-0		1312-1403	L	02	A	LOCALLY SUPPLIED PARTS<TKH> IDN
		8-98067-039-0		1404-	L	02	AB	LOCALLY SUPPLIED PARTS<TKH> IDN
159		SEAL; ROLL OVER & FLOAT VALVE 1-83149-003-0		1312-1403	L	02	A	LOCALLY SUPPLIED PARTS<TKH> IDN
		1-83149-003-0		1404-	L	02	AB	LOCALLY SUPPLIED PARTS<TKH> IDN
237		GASKET; BRKT TO FUEL TANK 1-22553-003-0		1312-		02	A	EXC. LOCALLY SUPPLIED PARTS<TKH> L=580
254		GUARD 8-98233-611-0		1312-		01	A	WHEEL BASE 5300MM(53W)
346		BOLT; GUARD 0-28651-035-0		1312-		02	A	WHEEL BASE 5300MM(53W) M10X35 FLANGE IDN
369		JOINT; HOSE 8-98067-080-0		1312-1403	L	01	A	LOCALLY SUPPLIED PARTS<TKH> IDN
		8-98067-080-0		1404-	L	01	AB	LOCALLY SUPPLIED PARTS<TKH> IDN
468		NUT 0-91180-210-0		1312-		02	A	WHEEL BASE 5300MM(53W) M10 FLANGE
635		SCREW; ROLL OVER & FLOAT VALVE 0-36220-512-0		1312-1403	L	10	A	LOCALLY SUPPLIED PARTS<TKH> M5X12 W/LK WASHER
		0-36220-512-0		1404-	L	10	AB	LOCALLY SUPPLIED PARTS<TKH> M5X12 W/LK WASHER
640		VENTILATOR; HOSE,BREATHER 8-98092-398-0		1312-1403	L	01	A	LOCALLY SUPPLIED PARTS<TKH> IDN
		8-98092-398-0		1404-	L	01	AB	LOCALLY SUPPLIED PARTS<TKH> IDN
5-01		Move to 5-01						
1-41		Move to 1-41						
7-30		Move to 7-30						
8-10		Move to 8-10						
1-45		Move to 1-45						

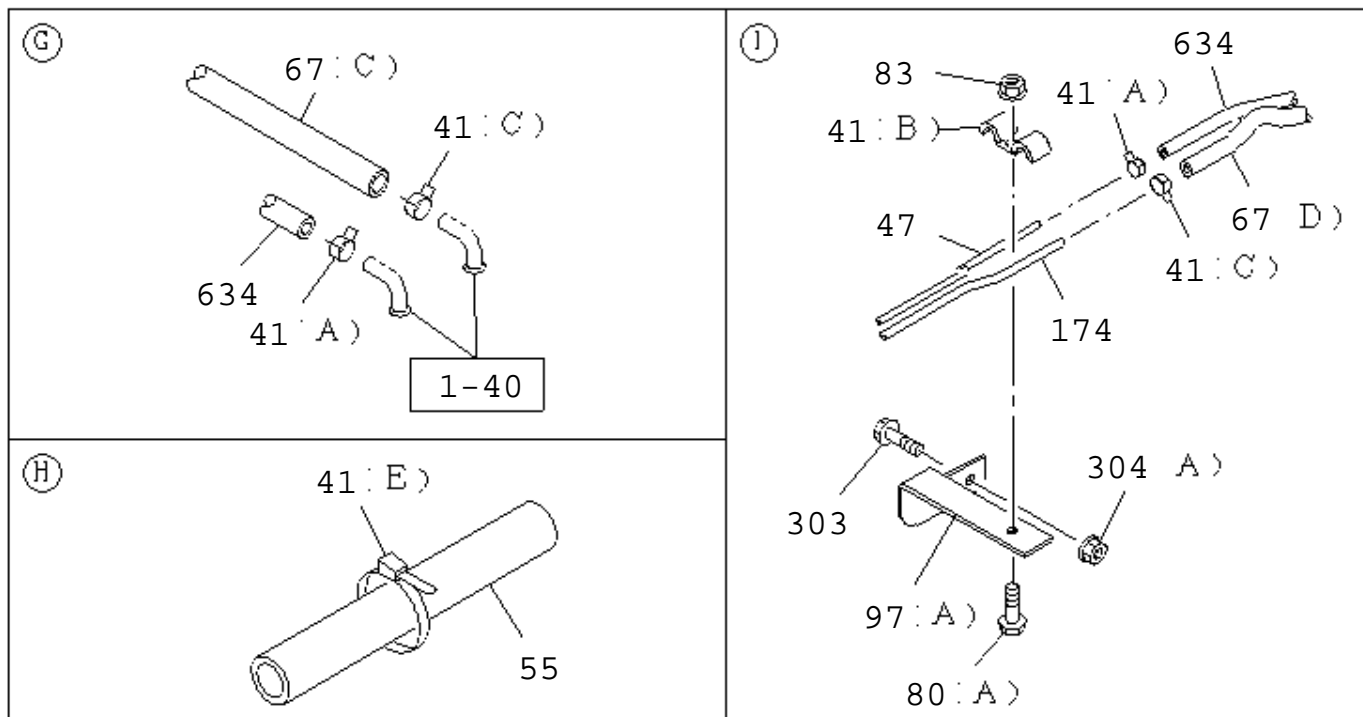
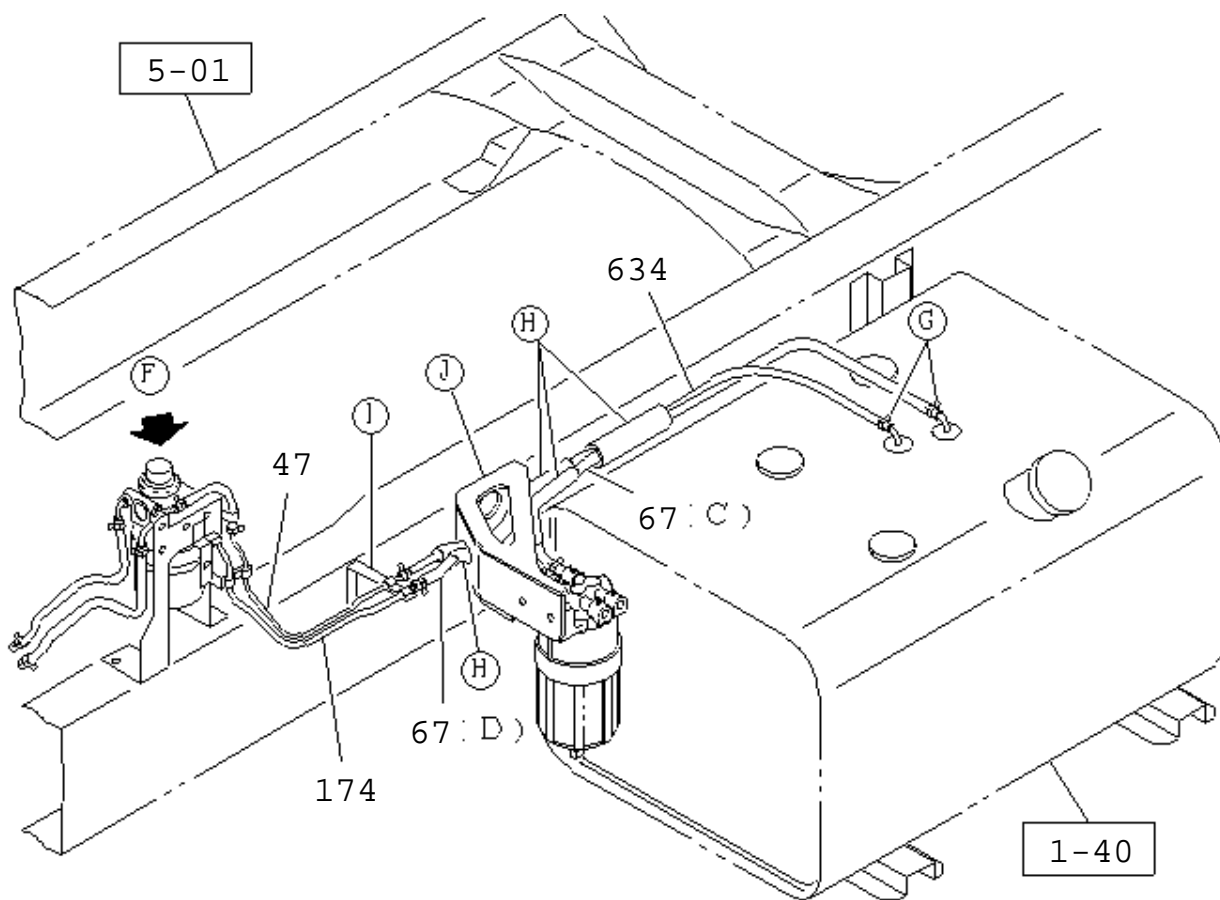
**1-41 FUEL PIPING; CHASSIS**  
 EXC.MIXER CHASSIS; PIPING



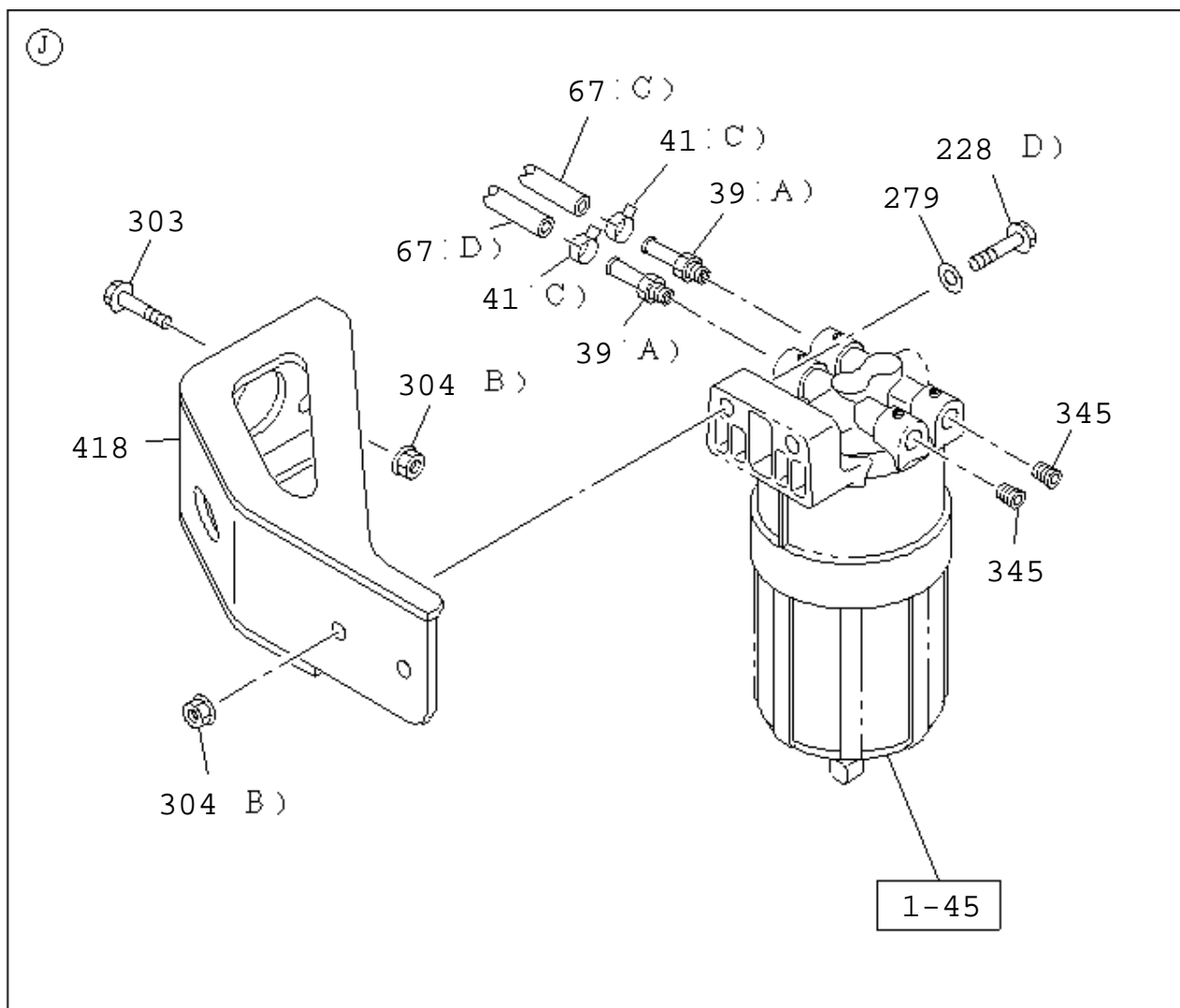
**1-41 FUEL PIPING; CHASSIS**  
EXC.MIXER CHASSIS;FUEL SEDIMENTER FIX



**1-41 FUEL PIPING; CHASSIS**  
 MIXER CHASSIS; PIPING

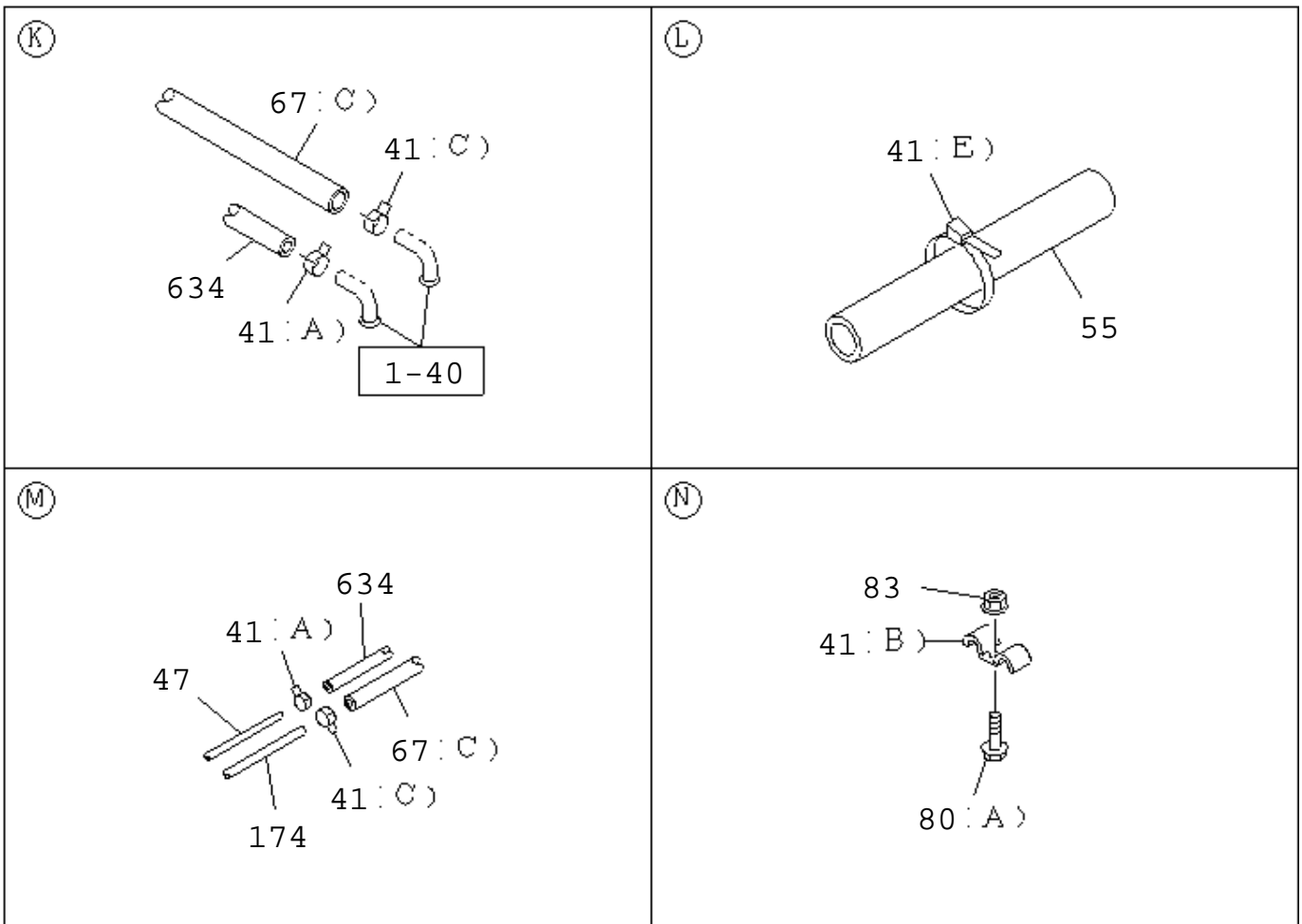
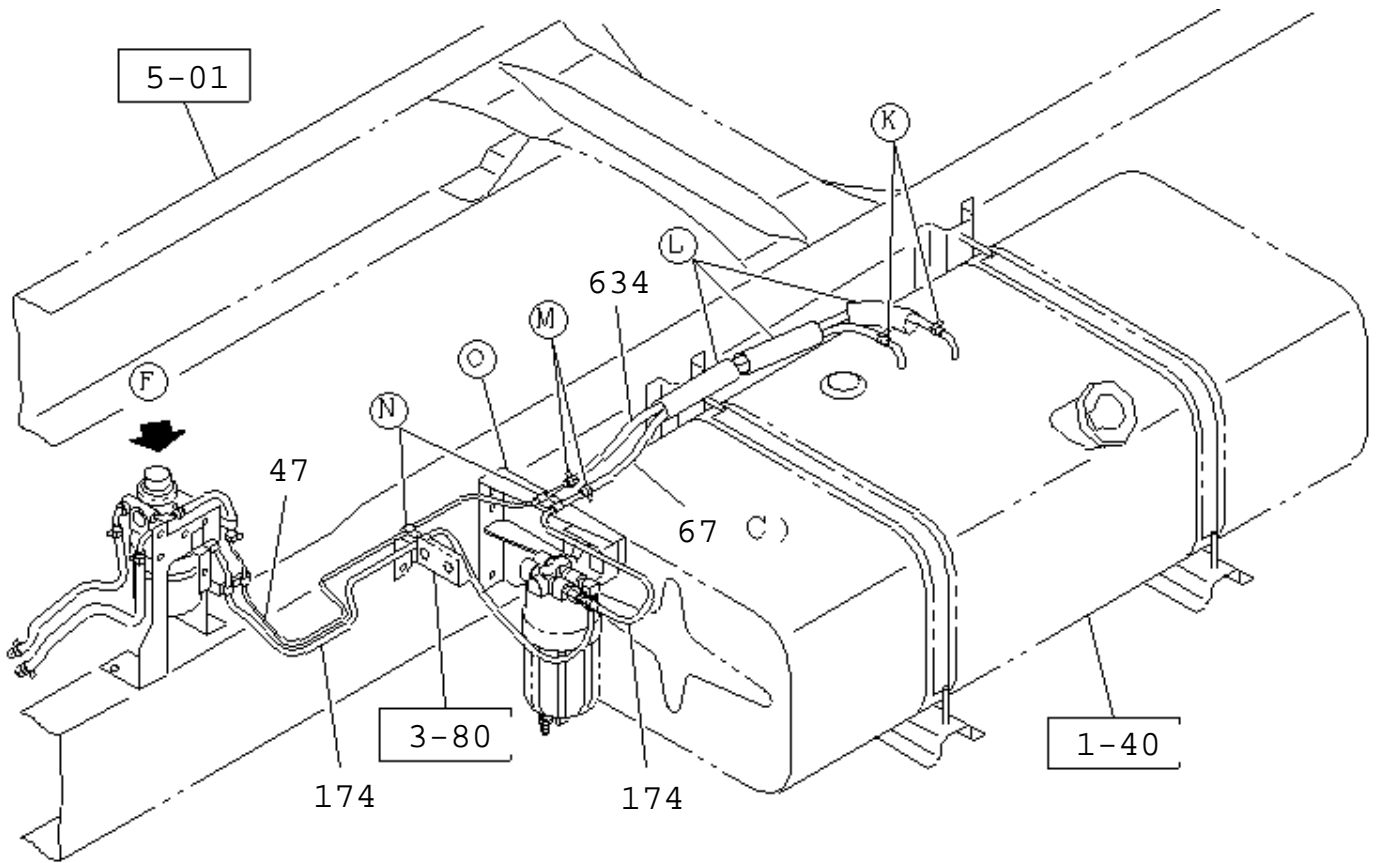


**1-41 FUEL PIPING; CHASSIS**  
MIXER CHASSIS; FUEL SEDIMENTER FIXING

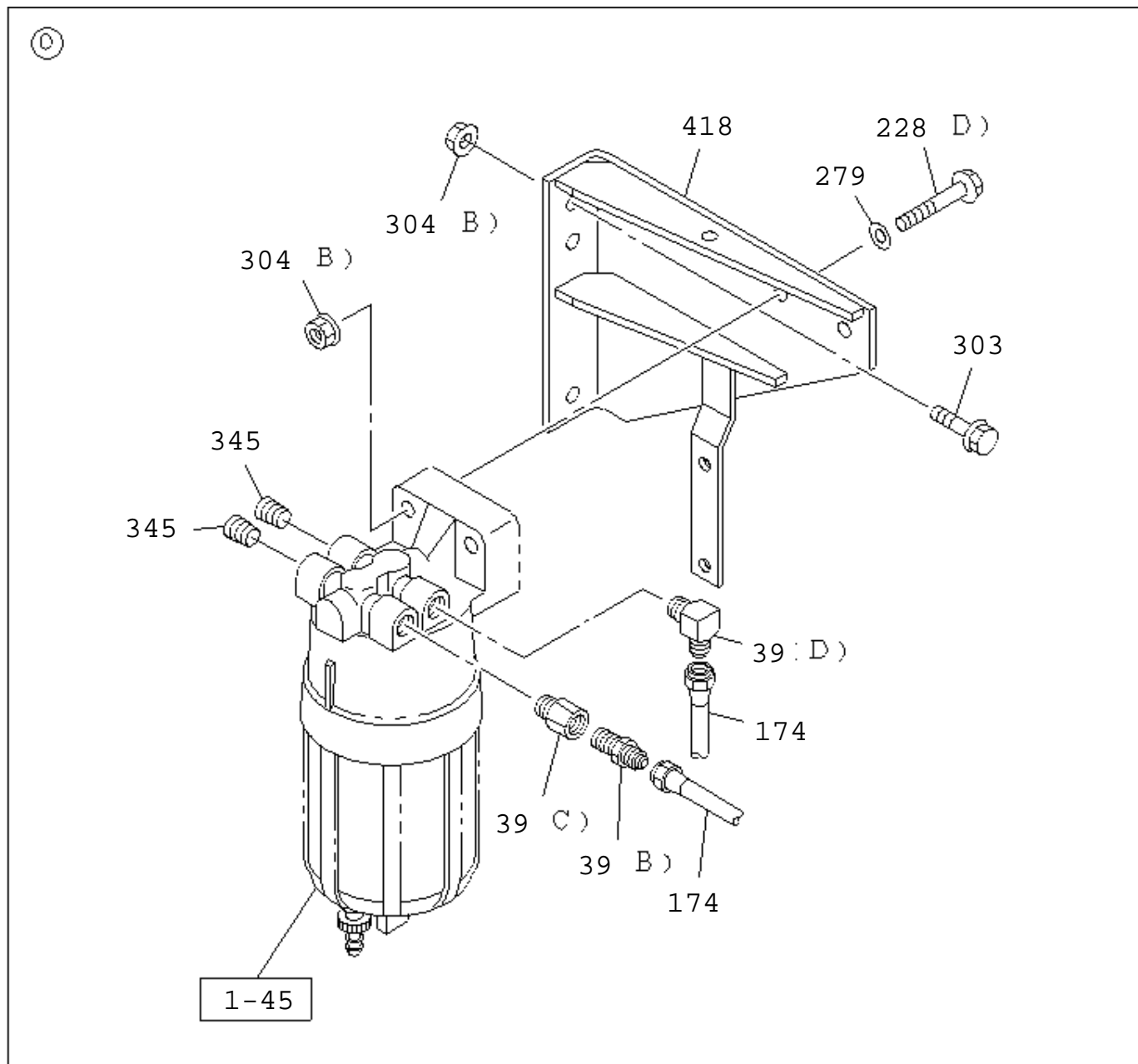


**1-41 FUEL PIPING; CHASSIS**

GVZ; PIPING

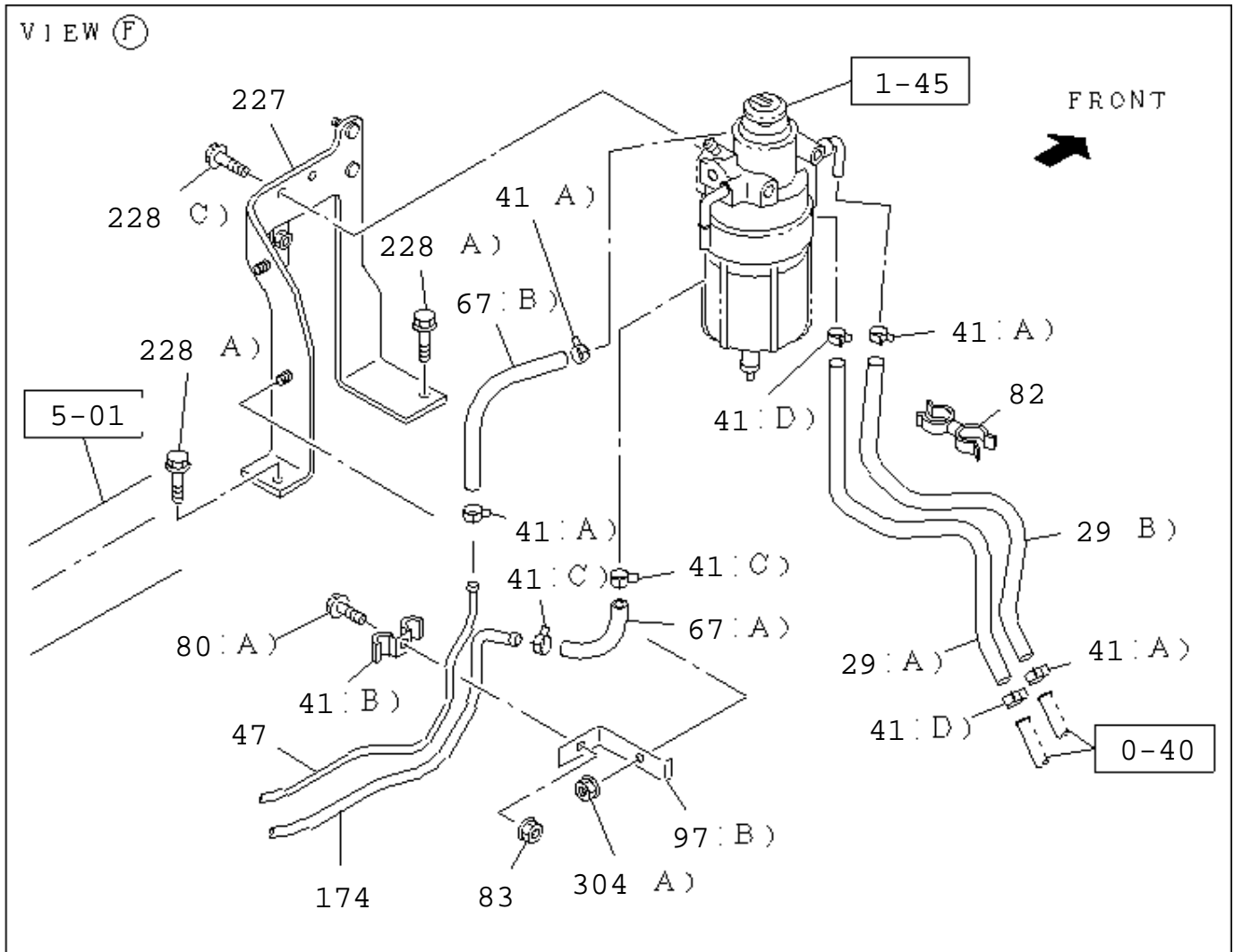


**1-41 FUEL PIPING; CHASSIS**  
GVZ; FUEL SEDIMENTER FIXING





**1-41 FUEL PIPING; CHASSIS**  
PRE FUEL FILTER FIXING



## 1-41

## FUEL PIPING; CHASSIS

KEY	R / C	PART NAME PART NUMBER	I T C	APPLIED DATE	Qty	APPLIED MODEL	RESTRICTION/REMARKS
							A FVZ WIDE CAB(FGZ5MV) B GVZ WIDE CAB(GGZ5MV)
29		HOSE; FUEL 8-98078-196-2		1312-1403	01	A	(A) IDN
		8-98078-196-2		1404-	01	AB	(A) IDN
		8-98078-197-1		1312-1403	01	A	(B) IDN
		8-98078-197-1		1404-	01	AB	(B) IDN
39		PIPE; FUEL 1-09650-233-1		1404-	01	B	(B) M16 & PT3/8 STRAIGHT
		1-09650-447-0		1404-	01	B	(D) M16 & NPTF3/8 ELBOW
		1-09660-548-0		1404-	01	B	(C) NPTF3/8 & RC3/8
		8-98122-953-0		1312-1403	02	A	(A) NPTF3/8-18 OD=10
		8-98122-953-0		1404-	02	AB	(A) NPTF3/8-18 OD=10
41		CLIP; FUEL PIPE,FUEL TANK 1-09701-101-0		1402-	01	A	MIXER CHASSIS<6NR> (F) ID=14X29 H=30 L=25
		1-09700-747-0		1404-	03	B	(B) ID=11 & 9 L=17.5 & 17.5
		1-09704-102-0		1404-	04	B	(C) ID=14 IDN
		5-09707-030-1		1404-	03	B	(E) L=250 IDN
		1-09700-747-0		1312-	02	A	(B) ID=11 & 9 L=17.5 & 17.5
		1-09701-101-0		1312-1401	03	A	(F) ID=14X29 H=30 L=25
		1-09701-101-0		1402-	03	A	EXC. MIXER CHASSIS<6NR> (F) ID=14X29 H=30 L=25
		1-09704-102-0		1312-	06	A	(C) ID=14 IDN
		5-09707-030-1		1312-	04	A	(E) L=250 IDN
		8-94238-568-0		1312-1403	02	A	(D) ID=16 IDN
		8-94238-568-0		1404-	02	AB	(D) ID=16 IDN
		8-94238-571-0		1312-1403	06	A	(A) ID=13 IDN

## 1-41

## FUEL PIPING; CHASSIS

KEY	R / C	PART NAME PART NUMBER	I T C	APPLIED DATE	Qty	APPLIED MODEL	RESTRICTION/REMARKS
							A FVZ WIDE CAB(FGZ5MV) B GVZ WIDE CAB(GGZ5MV)
41		8-94238-571-0		1404-	06	AB	(A) ID=13 IDN
47		PIPE; FUEL, RETURN 8-98248-097-0		1404-	01	B	L=987
		8-98117-709-0		1312-	01	A	L=539 IDN
55		COVER; PIPE, FUEL TANK 1-09360-677-1		1402-1403	03	A	MIXER CHASSIS<6NR> L=150 SERVICED BY L=1300
		1-09360-677-1		1404-	03	A	MIXER CHASSIS<6NR> L=150 SERVICED BY L=1300
		1-09360-677-1		1404-	03	B	L=150 SERVICED BY L=1300
		1-09360-677-1		1312-1401	04	A	L=150 SERVICED BY L=1300
		1-09360-677-1		1402-	04	A	EXC. MIXER CHASSIS<6NR> L=150 SERVICED BY L=1300
67		HOSE; FUEL, DELIVERY 0-01260-300-0		1312-1401	01	A	(A) L=960 SERVICED BY L=3000
		0-01260-300-0		1402-	01	A	EXC. MIXER CHASSIS<6NR> (A) L=960 SERVICED BY L=3000
		0-01260-300-0		1312-1401	01	A	(A) L=1900 SERVICED BY L=3000
		0-01260-300-0		1402-	01	A	EXC. MIXER CHASSIS<6NR> (A) L=1900 SERVICED BY L=3000
		8-98157-878-0		1402-	01	A	MIXER CHASSIS<6NR> (D) L=300
		8-98250-603-0		1402-	01	A	MIXER CHASSIS<6NR> (C) L=1000
		0-01260-300-0		1312-1403	01	A	(A) L=110 SERVICED BY L=3000
		0-01260-300-0		1404-	01	AB	(A) L=110 SERVICED BY L=3000
		0-01558-300-0		1312-1403	01	A	(B) L=210 SERVICED BY L=3000
		0-01558-300-0		1404-	01	AB	(B) L=210 SERVICED BY L=3000
		0-01260-300-0		1404-	01	B	(A) L=820 SERVICED BY L=3000
80		BOLT; CLIP, FUEL TANK 0-28650-830-0		1402-	01	A	MIXER CHASSIS<6NR> (B) M8X30 FLANGE

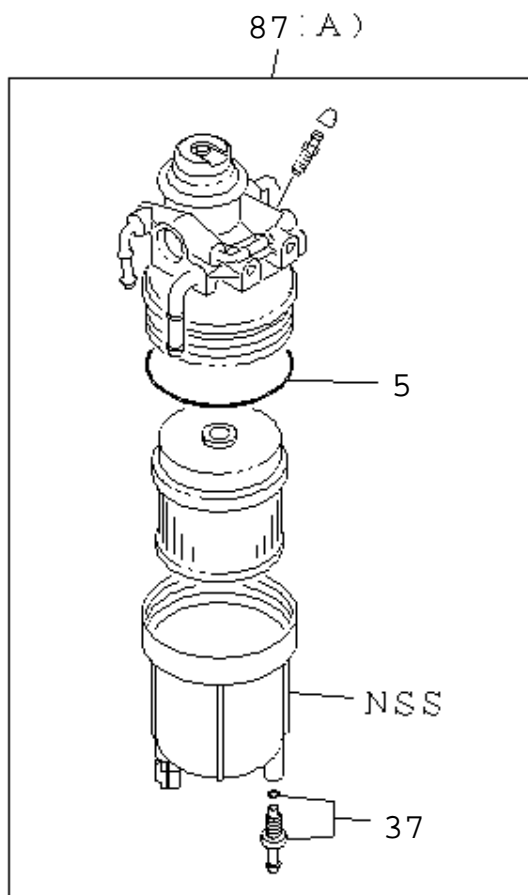
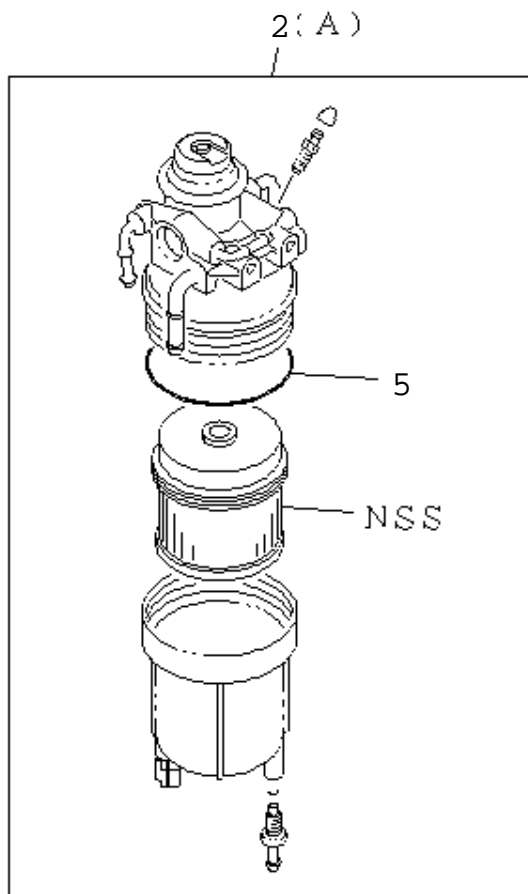
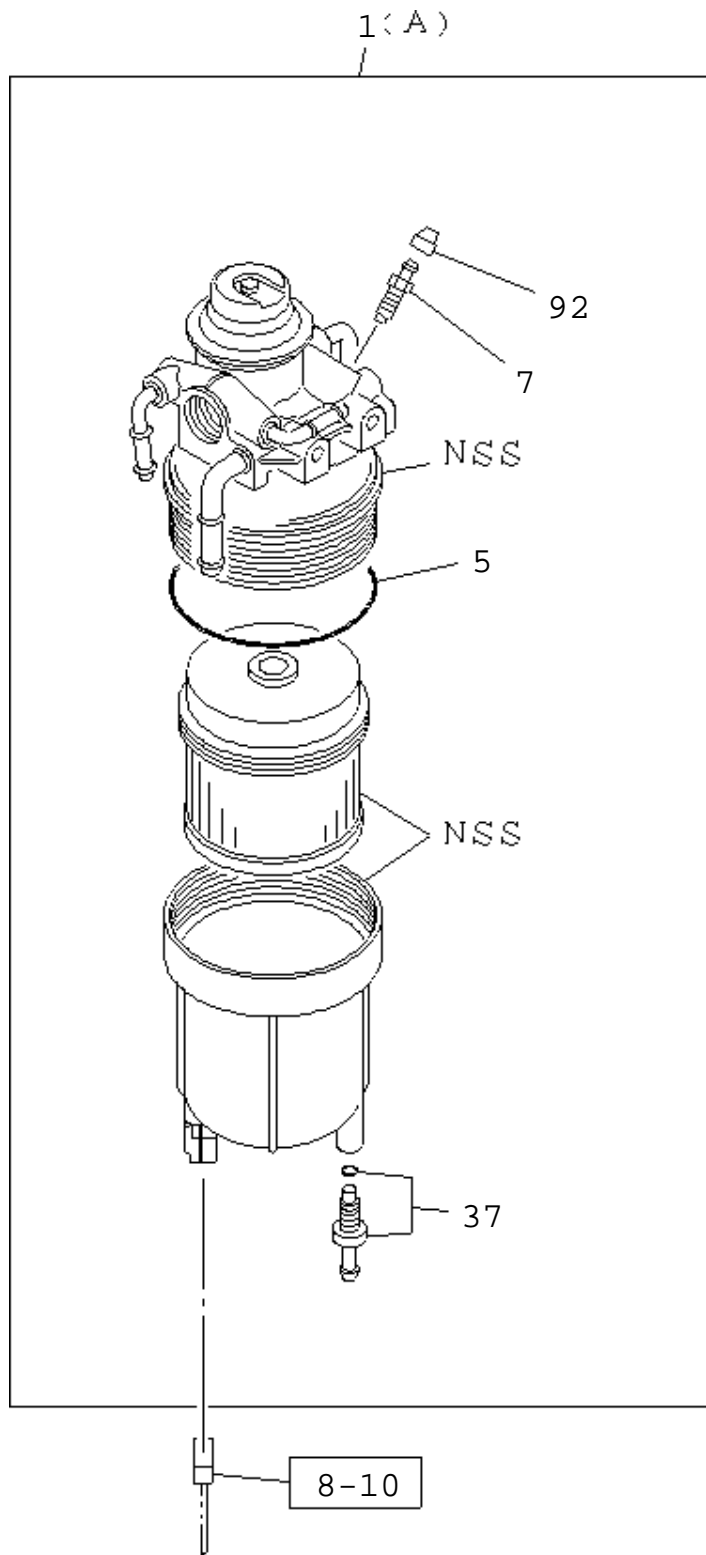
## 1-41

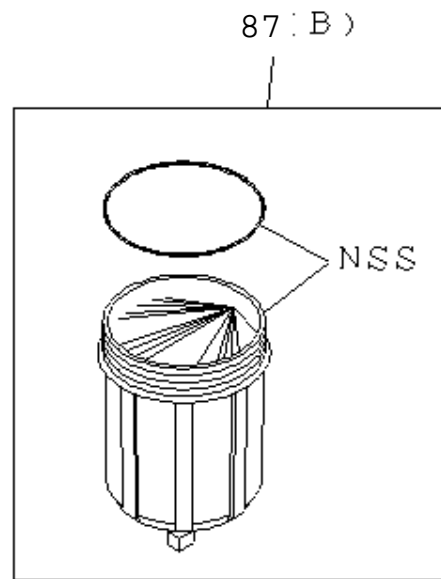
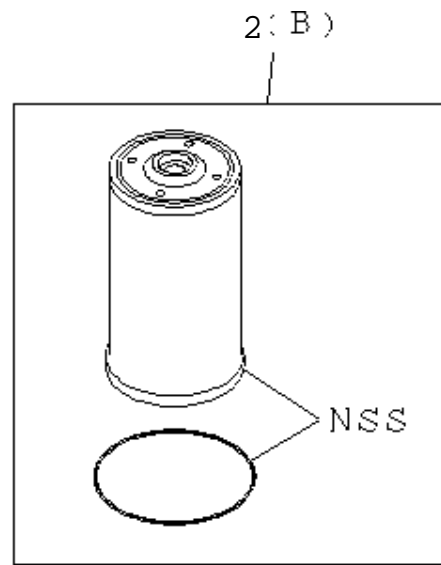
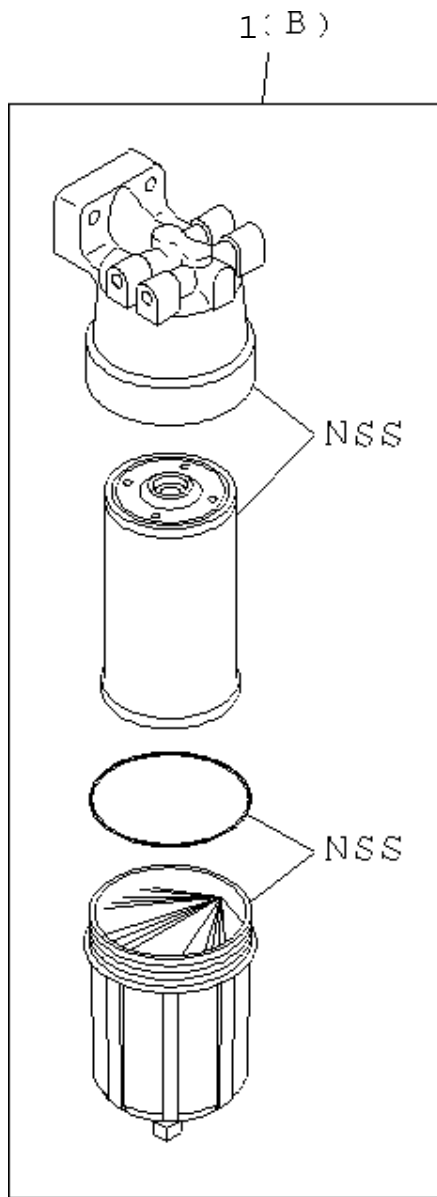
## FUEL PIPING; CHASSIS

KEY	R / C	PART NAME PART NUMBER	I T C	APPLIED DATE	Qty	APPLIED MODEL	RESTRICTION/REMARKS
							A FVZ WIDE CAB(FGZ5MV) B GVZ WIDE CAB(GGZ5MV)
80		0-28650-820-0		1404-	03	B	(A) M8X20 FLANGE IDN
		0-28650-820-0		1312-	02	A	(A) M8X20 FLANGE IDN
		0-28650-830-0		1312-1401	03	A	(B) M8X30 FLANGE
		0-28650-830-0		1402-	03	A	EXC. MIXER CHASSIS<6NR> (B) M8X30 FLANGE
82		CLIP; FUEL HOSE 8-94169-028-0		1312-1403	01	A	ID=13 & 16.5
		8-94169-028-0		1404-	01	AB	ID=13 & 16.5
83		NUT; CLIP, FUEL TANK 0-91180-108-0		1402-1403	03	A	MIXER CHASSIS<6NR> M8 FLANGE
		0-91180-108-0		1404-	03	A	MIXER CHASSIS<6NR> M8 FLANGE
		0-91180-108-0		1404-	03	B	M8 FLANGE
		0-91180-108-0		1312-1401	05	A	M8 FLANGE
		0-91180-108-0		1402-	05	A	EXC. MIXER CHASSIS<6NR> M8 FLANGE
97		BRACKET; CLIP 8-98053-654-0		1312-1403	01	A	(B)
		8-98053-654-0		1404-	01	AB	(B)
		8-98126-612-0		1312-	01	A	(A)
174		PIPE; FUEL, FEED, FRT 8-98248-096-0		1404-	01	B	L=1089
		8-98248-098-0		1404-	01	B	L=489
		8-98117-708-0		1312-	01	A	L=548 IDN
227		BRACKET; FUEL SEDIMENTER 8-98044-366-3		1312-1403	01	A	
		8-98044-366-3		1404-	01	AB	
228		BOLT; BRKT, SEDIMENTER 0-28051-050-0		1402-1403	02	A	WHEEL BASE 4700MM(47W) (D) M10X50 FLANGE
		0-28051-050-0		1404-	02	AB	WHEEL BASE 4700MM(47W) (D) M10X50 FLANGE
		0-28050-825-0		1312-1403	02	A	(A) M8X25 FLANGE
		0-28050-825-0		1404-	02	AB	(A) M8X25 FLANGE
		0-28051-060-0		1312-	02	A	WHEEL BASE 5300MM(53W), WHEEL BASE 7100MM(71) (B) M10X60 FLANGE
		0-28650-820-0		1312-1403	02	A	(C) M8X20 FLANGE IDN
		0-28650-820-0		1404-	02	AB	(C) M8X20 FLANGE IDN
279		WASHER					

**1-41 FUEL PIPING; CHASSIS**

KEY	R / C	PART NAME PART NUMBER	I T C	APPLIED DATE	Qty	APPLIED MODEL	RESTRICTION/REMARKS
							A FVZ WIDE CAB(FGZ5MV) B GVZ WIDE CAB(GGZ5MV)
279		0-91614-710-0		1312-1403	02	A	
		0-91614-710-0		1404-	02	AB	ID=10.5 OD=26
303		BOLT; BRKT 0-28651-035-0		1402-1403	02	A	ID=10.5 OD=26
		0-28651-035-0		1404-	02	A	WHEEL BASE 4700MM(47W) M10X35 FLANGE IDN
		0-28651-035-0		1404-	02	B	WHEEL BASE 4700MM(47W) M10X35 FLANGE IDN
		0-28650-835-0		1312-	02	A	M10X35 FLANGE IDN
304		NUT; BRKT 0-91180-108-0		1404-	01	B	M8X35 FLANGE
		0-91180-108-0		1312-	03	A	(A) M8 FLANGE
		0-91180-210-0		1312-1401	02	A	(A) M8 FLANGE
		0-91180-210-0		1402-1403	02	A	(B) M10 FLANGE WHEEL BASE 4700MM(47W)
		0-91180-210-0		1402-1403	02	A	(B) M10 FLANGE
		0-91180-210-0		1404-	02	AB	(B) M10 FLANGE
		0-91180-210-0		1404-	02	A	(B) M10 FLANGE WHEEL BASE 4700MM(47W)
		0-91180-210-0		1404-	02	B	(B) M10 FLANGE
345		PLUG 8-97329-623-0		1312-1403	02	A	NPTF3/8-18
		8-97329-623-0		1404-	02	AB	NPTF3/8-18
418		BRACKET; PRE FUEL FILTER 8-98128-254-0		1402-1407	01	A	WHEEL BASE 4700MM(47W)
		8-98128-254-0		1408-	01	A	WHEEL BASE 4700MM(47W) EXC. BIO DIESEL FUEL B10<8NV>
		8-98136-381-0		1404-1407	01	B	WHEEL BASE 4700MM(47W)
		8-98136-381-0		1408-	01	A	BIO DIESEL FUEL B10<8NV>
		8-98136-381-0		1408-	01	B	
634		HOSE; RUBBER RETURN 8-98250-604-0		1402-	01	A	MIXER CHASSIS<6NR> L=1080
		0-01558-300-0		1404-	01	B	L=730
		0-01558-300-0		1312-1401	01	A	SERVICED BY L=3000
		0-01558-300-0		1402-	01	A	L=1100 SERVICED BY L=3000 EXC. MIXER CHASSIS<6NR> L=1100 SERVICED BY L=3000
1-40		Move to 1-40					
5-01		Move to 5-01					
1-45		Move to 1-45					
3-80		Move to 3-80					
0-40		Move to 0-40					



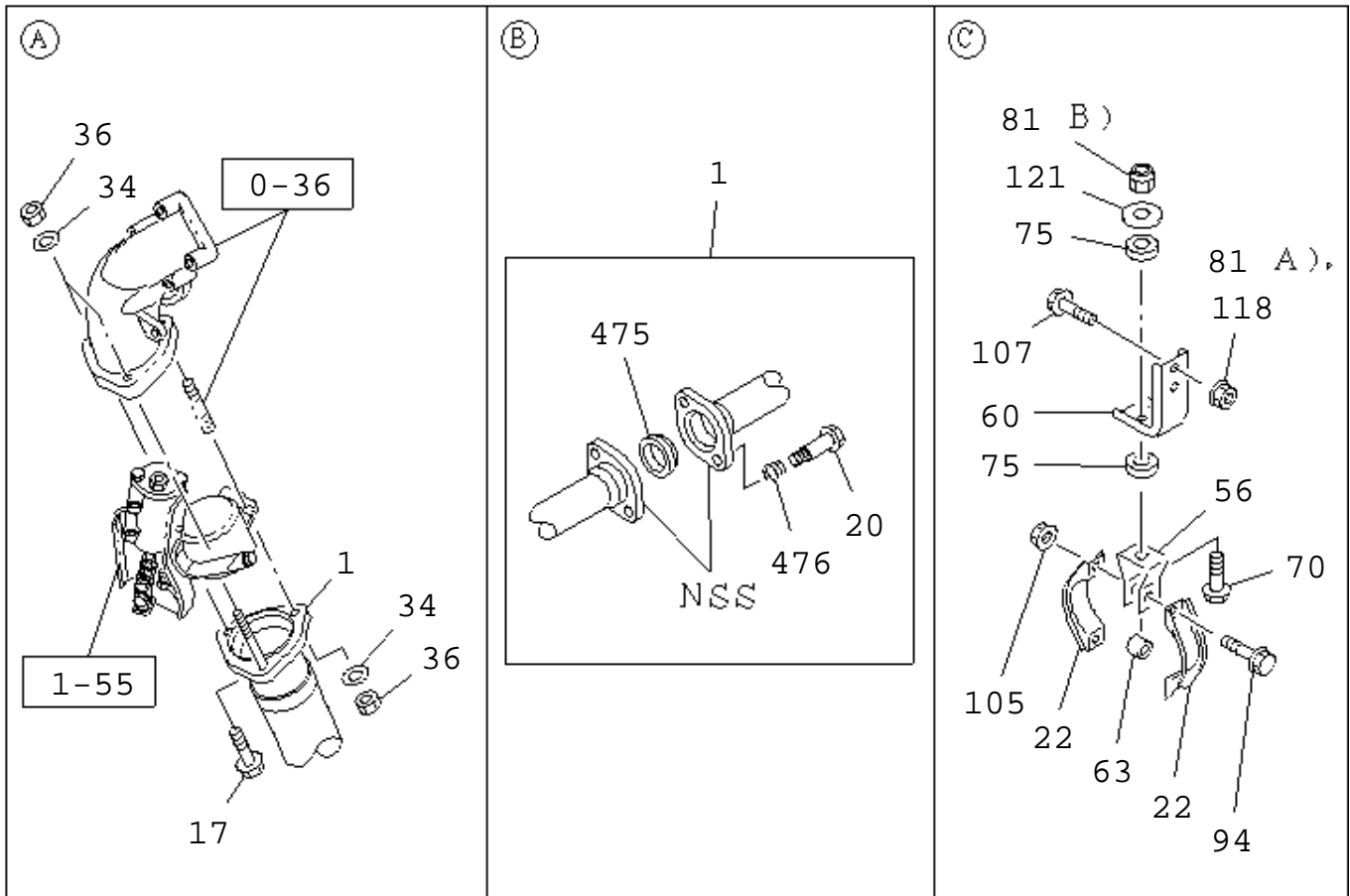
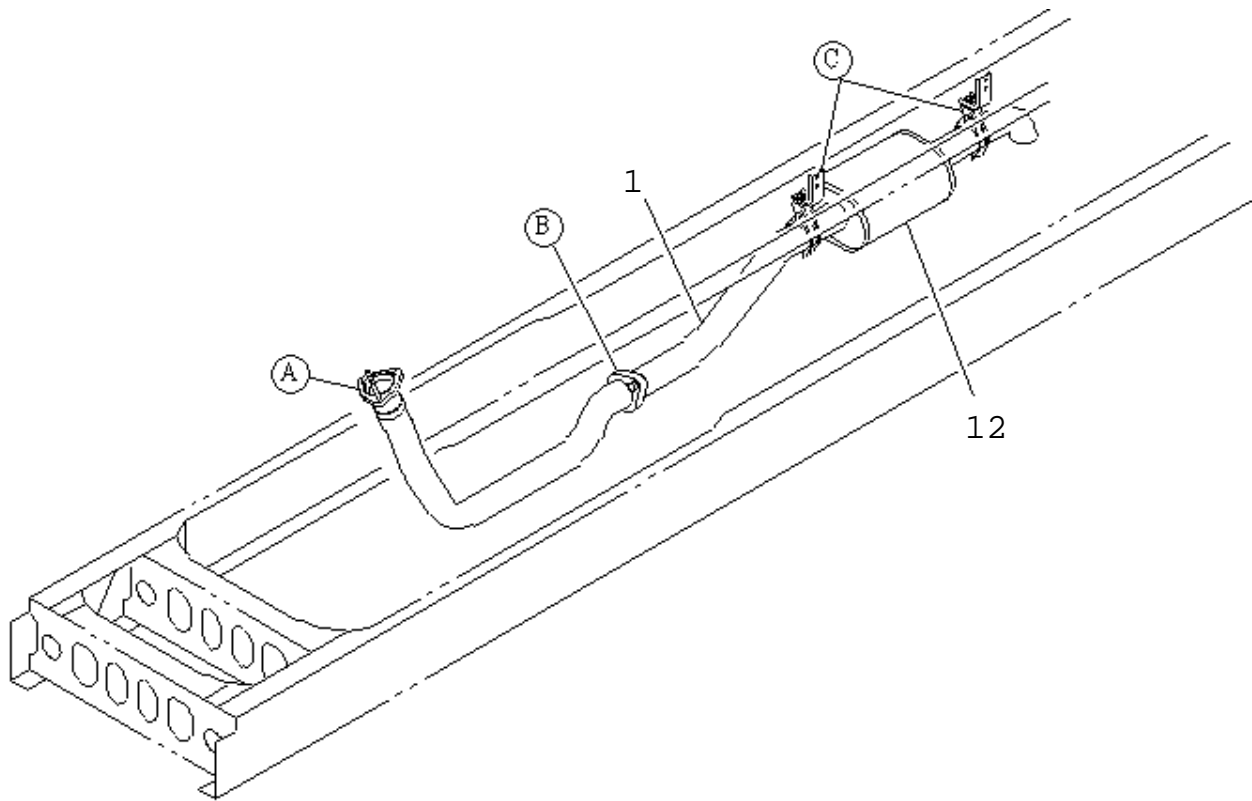


## 1-45

## WATER SEDIMENTER; FUEL

KEY	R / C	PART NAME PART NUMBER	I T C	APPLIED DATE	Qty	APPLIED MODEL	RESTRICTION/REMARKS	
							A	B
1		SEDIMENTER; FUEL 8-98086-193-1		1312-1403	01	A	A FVZ WIDE CAB (FGZ5MV)	
		8-98086-193-1		1404-	01	AB	B GVZ WIDE CAB (GGZ5MV)	(B)
		8-98162-904-3		1312-1403	01	A		(B)
		8-98162-904-3		1404-	01	AB		(A)
2	A	ELEMENT; FUEL FILTER 8-98092-481-1		1312-1403	01	A		(A)
		8-98092-481-1		1404-	01	AB		(B)
		8-98203-599-0		1312-1403	01	A		(B)
		8-98203-599-0		1404-	01	AB		(A)
5		GASKET; UPR COVER, SEDIMENTER 8-98203-600-0		1312-1403	01	A		(A)
		8-98203-600-0		1404-	01	AB		
7		PLUG; DRAIN, SEDIMENTER 8-98034-312-0		1312-1403	01	A		M8X10
		8-98034-312-0		1404-	01	AB		M8X10
37		PLUG; SENSOR 8-98037-095-0		1312-1403	01	A		
		8-98037-095-0		1404-	01	AB		
87	A	CASE ASM; SEDIMENTER 8-98039-987-1		1312-1403	01	A		(A)
		8-98039-987-1		1404-	01	AB		(A)
		8-98092-482-1		1312-1403	01	A		(B)
		8-98092-482-1		1404-	01	AB		(B)
92		CAP; DRAIN 8-98034-314-0		1312-1403	01	A		
		8-98034-314-0		1404-	01	AB		
8-10		Move to 8-10						





1-50

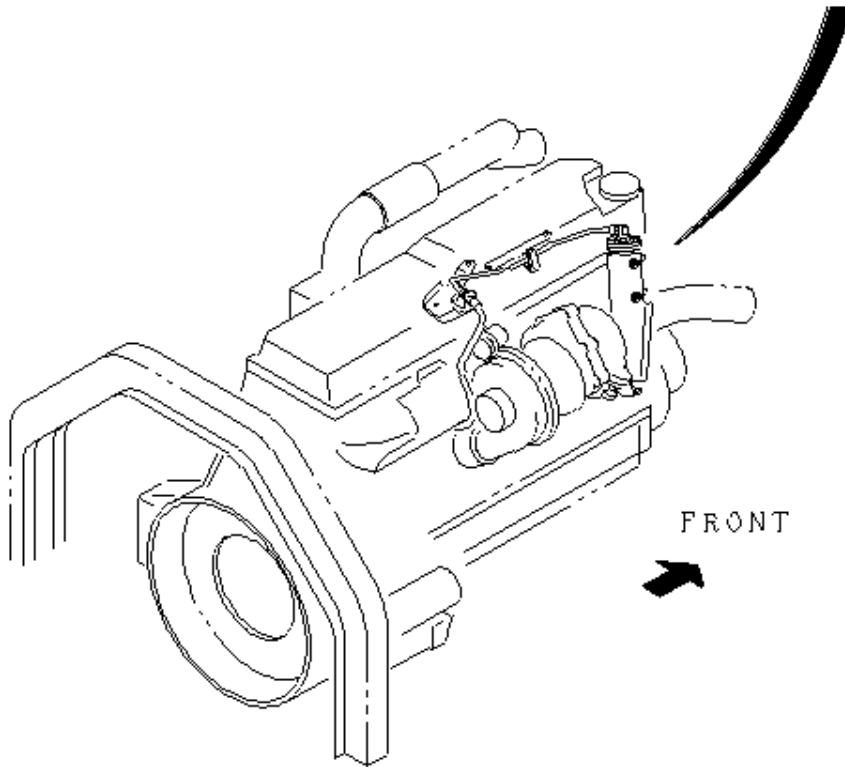
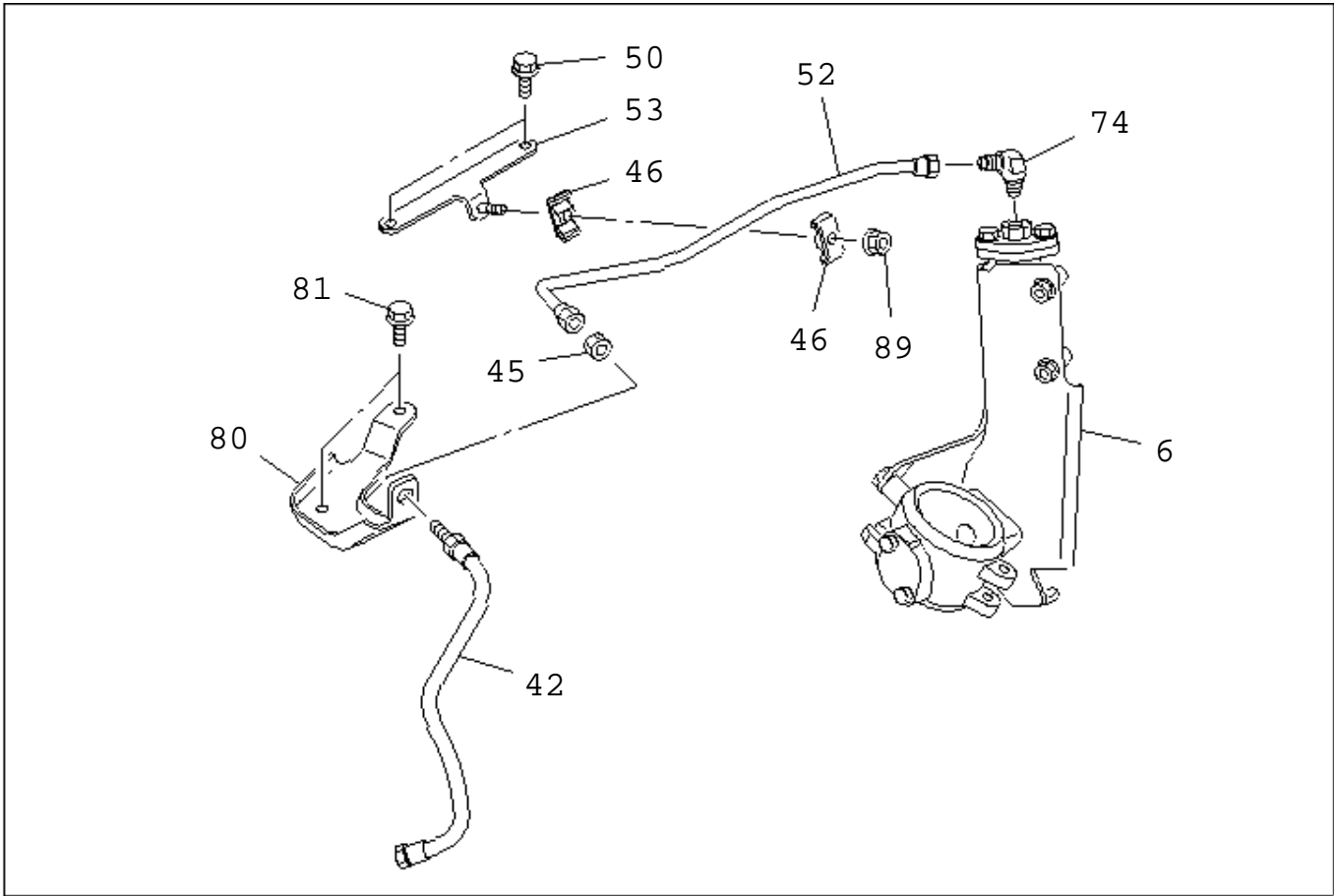
## EXHAUST PIPE AND SILENCER

KEY	R / C	PART NAME PART NUMBER	I T C	APPLIED DATE	L / R	Qty	APPLIED MODEL	RESTRICTION/REMARKS	
								A	B
1		PIPE; EXH 8-98183-953-0		1312-1403	R	01	A		
		8-98183-953-0		1404-	R	01	AB	IDN	
12	D	SILENCER ASM; EXH 8-98182-451-0		1312-1403		01	A	IDN	
		8-98182-451-0		1404-		01	AB	IDN	
17		BOLT; EXH PIPE 1-09000-293-0		1312-1403		01	A		M12X120
		1-09000-293-0		1404-		01	AB		M12X120
20		BOLT; FLANGE, EXH PIPE 8-97039-586-0		1312-1403	R	02	A		M10X49.8
		8-97039-586-0		1404-	R	02	AB		M10X49.8
22		CLAMP; EXH PIPE 1-22133-233-0		1312-1403		04	A	ID=80-84 IDN	
		1-22133-233-0		1404-		04	AB	ID=80-84 IDN	
34		WASHER; EXH PIPE 1-09500-030-0		1312-1403		03	A		ID=13 OD=24 DISH
		1-09500-030-0		1404-		03	AB		ID=13 OD=24 DISH
36		NUT; EXH PIPE 1-09400-010-0		1312-1403		03	A		M12
		1-09400-010-0		1404-		03	AB		M12
56		BRACKET; CLAMP, EXH PIPE 1-22139-045-0		1312-1403		02	A	L=40 B=50 H=74 IDN	
		1-22139-045-0		1404-		02	AB	L=40 B=50 H=74 IDN	
60		BRACKET; FRAME TO BRKT 8-98183-955-0		1312-1403		02	A	IDN	
		8-98183-955-0		1404-		02	AB	IDN	
63		TUBE; DIST, BRKT 1-22139-026-0		1312-1403		02	A	L=11 IDN	
		1-22139-026-0		1404-		02	AB	L=11 IDN	
70		BOLT; BRKT 0-10856-050-0		1312-1403		02	A		M10X50
		0-10856-050-0		1404-		02	AB		M10X50
75		RUBBER; SUPPORT, BRKT 1-22159-106-1		1312-1403		04	A	OD=30	
		1-22159-106-1		1404-		04	AB	OD=30	
81		NUT; BRKT 0-91180-210-0		1312-1403		02	A	(A) M10 FLANGE	
		0-91180-210-0		1404-		02	AB	(A) M10 FLANGE	

1-50

## EXHAUST PIPE AND SILENCER

KEY	R / C	PART NAME PART NUMBER	I T C	APPLIED DATE	L / R	Qty	APPLIED MODEL	RESTRICTION/REMARKS	
								A	B
81		0-91370-010-0		1312-1403		02	A		A FVZ WIDE CAB(FGZ5MV) B GVZ WIDE CAB(GGZ5MV)
		0-91370-010-0		1404-		02	AB	(B) M10 LOCK NUT IDN	
94		BOLT; CLAMP 0-28651-040-0		1312-1403		04	A		(B) M10 LOCK NUT IDN
		0-28651-040-0		1404-		04	AB	M10X40 FLANGE	
105		NUT; CLAMP 0-91180-210-0		1312-1403		04	A		M10X40 FLANGE
		0-91180-210-0		1404-		04	AB	M10 FLANGE	
107		BOLT; BRKT 0-28651-035-0		1312-1403		04	A		M10 FLANGE
		0-28651-035-0		1404-		04	AB	M10X35 FLANGE IDN	
118		NUT; SILENCER MTG BRKT 0-91180-210-0		1312-1403		02	A		M10X35 FLANGE IDN
		0-91180-210-0		1404-		02	AB	M10 FLANGE	
121		WASHER; PL, BRKT 0-91614-810-0		1312-1403		02	A		M10 FLANGE
		0-91614-810-0		1404-		02	AB	ID=10.5 OD=32	
475		BEARING; SEAL, VIBNON, EXH PIPE 1-22119-294-1		1312-1403	R	01	A		ID=10.5 OD=32
		1-22119-294-1		1404-	R	01	AB	OD=112	
476		SPRING; VIBNON, EXH PIPE 8-94141-851-0		1312-1403	R	02	A		OD=112
		8-94141-851-0		1404-	R	02	AB		
0-36		Move to 0-36							
1-55		Move to 1-55							



1-55

## EXHAUST BRAKE VALVE AND CONTROL CYLINDER

KEY	R / C	PART NAME PART NUMBER	I T C	APPLIED DATE	Qty	APPLIED MODEL	RESTRICTION/REMARKS
							A 6HK1-TCS ENG(80L)
6		VALVE; EXH BRAKE 8-97602-527-1		1312-	01	A	
42		HOSE; FLEX,EXH BRK 1-09363-608-0		1312-	01	A	L=300
45		NUT; FLEX HOSE 9-09840-280-0		1312-	01	A	M12
46		CLIP; AIR PIPE 8-98148-996-2		1312-	02	A	
50		BOLT; BRKT 0-28050-812-0		1312-	02	A	M8X12 FLANGE
52		PIPE ASM; AIR FLEX HOSE 8-97603-547-0		1312-	01	A	
53		BRACKET; CLIP 8-98182-766-0		1312-	01	A	IDN
74		CONNECTOR; EXH BRK VLV 1-09650-430-0		1312-	01	A	M12 & PT1/4 ELBOW
80		BRACKET; FLEX HOSE 8-98182-767-0		1312-	01	A	IDN
81		BOLT; HOSE BRKT 0-28050-812-0		1312-	02	A	M8X12 FLANGE
89		NUT; BRKT 0-91180-106-0		1312-	01	A	M6 FLANGE