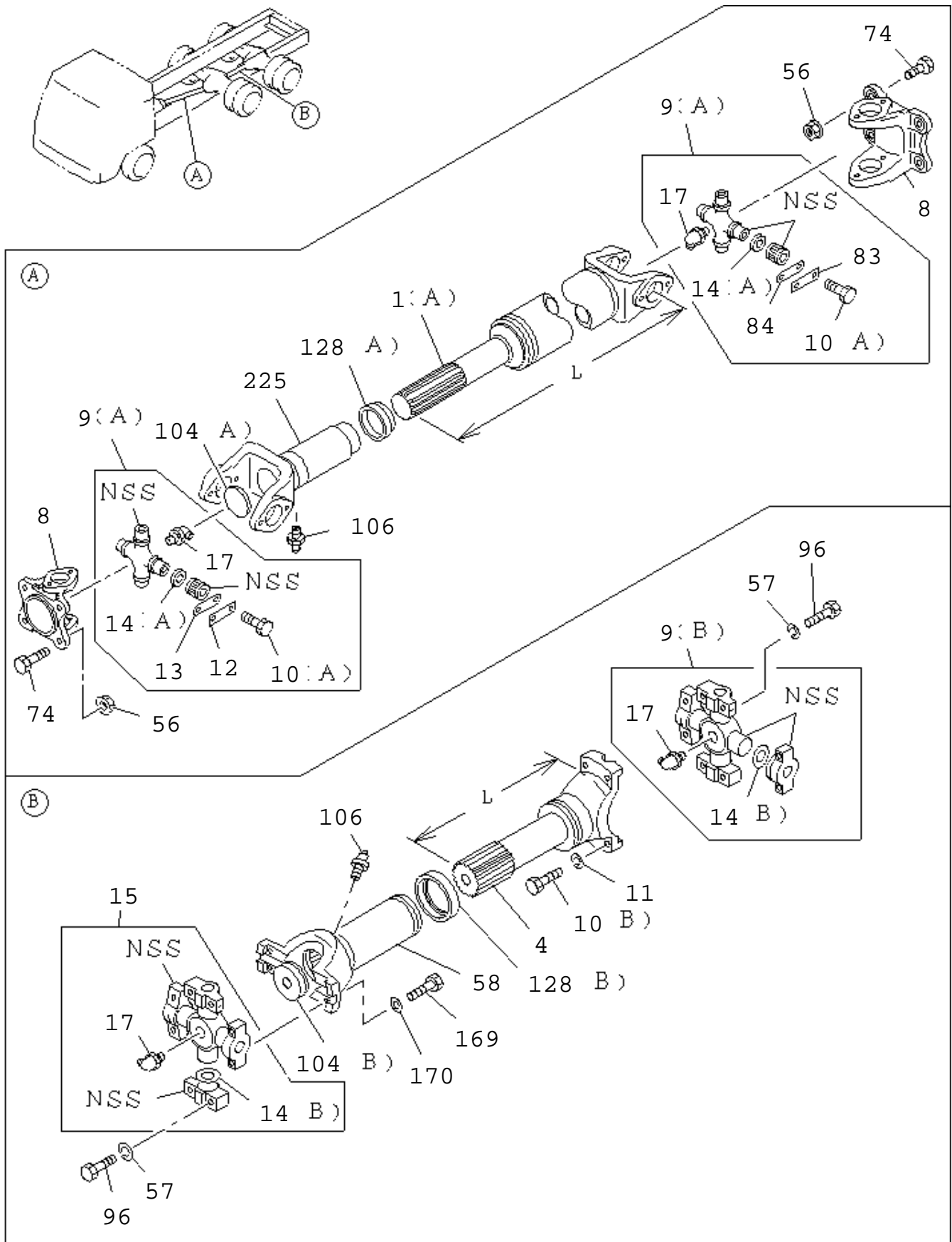
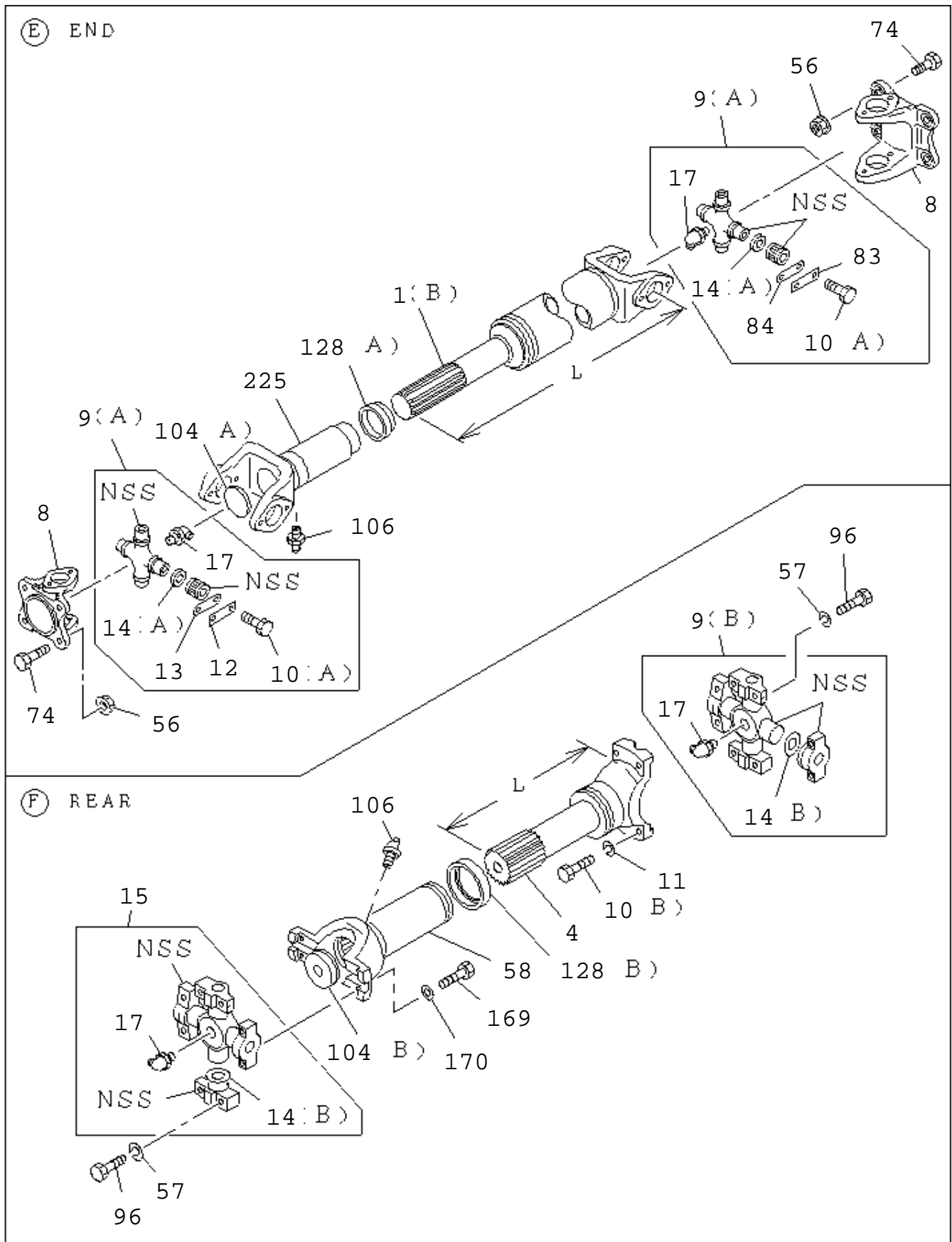


4-01 PROPELLER SHAFT

WHEEL BASE 4700,5300MM



4-01 PROPELLER SHAFT
WHEEL BASE 7100MM END AND REAR SHAFT



4-01

PROPELLER SHAFT

KEY	R / C	PART NAME PART NUMBER	I T C	APPLIED DATE	Qty	APPLIED MODEL	RESTRICTION/REMARKS
							A WHEEL BASE 5300MM(53W) B WHEEL BASE 7100MM(71W) C WHEEL BASE 4700MM(47W)
1		SHAFT; PROP 1-37124-496-0		1402-	01	C	FVZ WIDE CAB(FG****) POWER TAKE OFF-FLYWHEEL(6SZ) (A)
		1-37124-184-0		1404-	01	C	GVZ WIDE CAB(GG****) (A) L=927
		1-37124-132-0		1312-	01	A	FULLER ES11109 DD M/T(Y5N) (A) L=1482
		1-37124-233-0		1312-	01	A	ZF9S1110 DD M/T(Y5P) (A) L=1407
		1-37124-182-0		1312-	01	B	(B) L=1172
		8-98239-156-0		1312-	01	B	(C) L=1002
		8-98239-158-0		1312-	01	B	(D) L=902
4		SHAFT; PROP 1-37171-127-2		1312-1401	01	AB	L=348
		1-37171-127-2		1402-	01	ABC	L=348
8		YOKE; FLANGE, PROP SHAFT 1-37211-066-1		1312-1401	02	A	
		1-37211-066-1		1402-	02	A C	
		1-37211-066-1		1312-	01	B	
		1-37211-066-1		1312-	03	B	
9	D	JOURNAL ASM; PROP SHAFT 1-37300-091-1		1312-1401	AR	AB	(A)
		1-37300-091-1		1312-1401	AR	B	(A)
		1-37300-091-1		1312-1401	AR	B	(A)
		1-37300-091-1		1402-	AR	ABC	(A)
		1-37300-091-1		1402-	AR	B	(A)
		1-37300-091-1		1402-	AR	B	(A)
		1-37300-100-1		1312-1401	01	AB	(A)
		1-37300-100-1		1402-	01	ABC	(B)
10		BOLT; UJT 0-20951-020-0		1312-1401	16	A	(A) M10X20
		0-20951-020-0		1402-	16	A C	(A) M10X20
		8-98036-382-0		1312-1401	04	AB	(B) M12X45
		8-98036-382-0		1402-	04	ABC	(B) M12X45
		0-20951-020-0		1312-	08	B	(A) M10X20
		0-20951-020-0		1312-	24	B	(A) M10X20
11		WASHER; LK, UNIVERSAL, PROP SHAFT 0-91510-612-0		1312-1401	04	AB	ID=12.2
		0-91510-612-0		1402-	04	ABC	ID=12.2

PROPELLER SHAFT

KEY	R / C	PART NAME PART NUMBER	I T C	APPLIED DATE	Qty	APPLIED MODEL	RESTRICTION/REMARKS
							A WHEEL BASE 5300MM(53W) B WHEEL BASE 7100MM(71W) C WHEEL BASE 4700MM(47W)
12		PLATE; LK,FRT UJT,PROP SHAFT 1-37356-008-0 1-37356-008-0 1-37356-008-0		1312-1401 1402- 1312-	04 04 08	AB ABC B	
13		COVER; FRT UJT,PROP SHAFT 1-37355-020-0 1-37355-020-0 1-37355-020-0		1312-1401 1402- 1312-	04 04 08	AB ABC B	
14		COVER; DUST,SPIDER 1-37249-131-0 1-37249-131-0 1-37319-004-0 1-37319-004-0 1-37249-131-0 1-37249-131-0		1312-1401 1402- 1312-1401 1402- 1312- 1312-	08 08 08 08 04 12	A A C AB ABC B B	(A) (A) (B) (B) (A) (A)
15		UNIVERSAL CENTER 1-37300-100-1 1-37300-100-1		1312-1401 1402-	01 01	AB ABC	
17		NIPPLE; GREASE,PROP SHAFT 0-90301-510-0 0-90301-510-0 0-90301-510-0 0-90301-510-0 0-90301-510-0 0-90301-510-0		1312-1401 1312-1401 1402- 1402- 1312- 1312-	02 02 02 02 01 03	AB A ABC A C B B	PT1/8 ELBOW 67.5 DEGREES PT1/8 ELBOW 67.5 DEGREES PT1/8 ELBOW 67.5 DEGREES PT1/8 ELBOW 67.5 DEGREES PT1/8 ELBOW 67.5 DEGREES PT1/8 ELBOW 67.5 DEGREES
20		BEARING ASM; CTR,PROP SHAFT 1-37510-094-3 1-37510-094-3 1-37510-094-3		1312- 1312- 1312-	01 01 01	B B B	
21		SEAL; OIL,CENTER BRG 1-09625-127-0 1-09625-127-0 1-09625-127-0		1312- 1312- 1312-	02 02 02	B B B	D=120 D=120 D=120
22		RUBBER; CUSHION,CENTER BRG,1ST 1-37516-048-2 1-37516-048-2 1-37516-048-2		1312- 1312- 1312-	01 01 01	B B B	
23		BEARING; CENTER,PROP SHAFT 9-00090-256-0 9-00090-256-0 9-00090-256-0		1312- 1312- 1312-	01 01 01	B B B	
24		RETAINER; CENTER BRG,1ST 1-37529-041-0 1-37529-041-0 1-37529-041-0		1312- 1312- 1312-	01 01 01	B B B	
25		NIPPLE; GREASE,CENTER BRG 1-09380-006-0 1-09380-006-0 1-09380-006-0		1312- 1312- 1312-	01 01 01	B B B	MT6 STRAIGHT IDN MT6 STRAIGHT IDN MT6 STRAIGHT IDN
46		FLANGE; SPLINED,PROP SHAFT,1ST 1-37245-271-1 1-37245-271-1		1312- 1312-	01 01	B B	

4-01

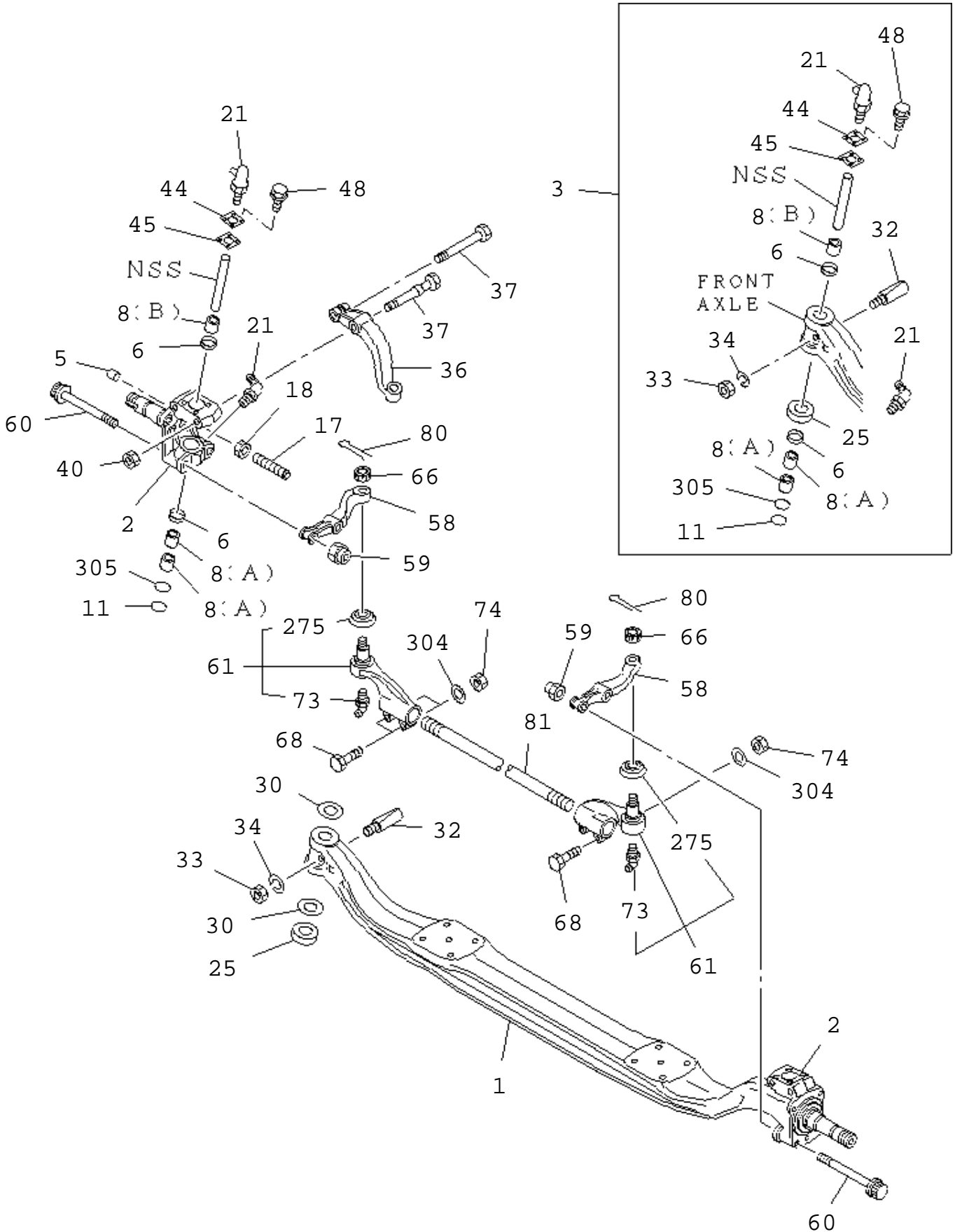
PROPELLER SHAFT

KEY	R / C	PART NAME PART NUMBER	I T C	APPLIED DATE	Qty	APPLIED MODEL	RESTRICTION/REMARKS
							A WHEEL BASE 5300MM(53W) B WHEEL BASE 7100MM(71W) C WHEEL BASE 4700MM(47W)
46		1-37245-271-1		1312-	01	B	
49		NUT; YOKE 1-09449-065-0		1312-	04	B	
51		NUT; FLANGE, SPLINED 1-09440-046-0		1312-	01	B	M16 FLANGE
		1-09440-046-0		1312-	01	B	M39 FLANGE
		1-09440-046-0		1312-	01	B	M39 FLANGE
		1-09440-046-0		1312-	01	B	M39 FLANGE
56		NUT; YOKE 1-09449-065-0		1312-1401	04	AB	M16 FLANGE
		1-09449-065-0		1312-1401	04	AB	M16 FLANGE
		1-09449-065-0		1402-	04	ABC	M16 FLANGE
		1-09449-065-0		1402-	04	ABC	M16 FLANGE
57		WASHER; LK, YOKE 0-91510-612-0		1312-1401	08	AB	ID=12.2
		0-91510-612-0		1402-	08	ABC	ID=12.2
58		FLANGE; SPLINED 1-37245-317-0		1312-1401	01	AB	L=265
		1-37245-317-0		1402-	01	ABC	L=265
71		NUT; YOKE 1-09449-065-0		1312-	04	B	M16 FLANGE
74		BOLT; YOKE, TRANS 1-09000-383-0		1312-1401	04	AB	M16X48
		1-09000-383-0		1312-1401	04	AB	M16X48
		1-09000-383-0		1312-1401	04	A	FULLER ES11109 DD M/T(Y5N) M16X48
		1-09000-383-0		1312-1401	04	B	M16X48
		1-09000-383-0		1402-	04	ABC	M16X48
		1-09000-383-0		1402-	04	ABC	M16X48
		1-09000-383-0		1402-	04	A	FULLER ES11109 DD M/T(Y5N) M16X48
		1-09000-383-0		1402-	04	B	M16X48
78		BOLT; HOLDER SET, CENTER BRG, 1ST PROP 1-09042-030-0		1312-	02	B	M16X45
79		WASHER; PL, HOLDER SET, CENTER BRG 1-09503-241-1		1312-	02	B	ID=17
80		NUT; HOLDER SET, CENTER BRG, 1ST PROP 8-98049-689-0		1312-	02	B	M16 SLOTTED
81		PIN; SPLIT, HOLDER SET, CENTER BRG 0-81124-025-0		1312-	02	B	OD=3.7 L=25
83		PLATE; LK, UJT, PROP SHAFT 1-37356-008-0		1312-1401	04	AB	
		1-37356-008-0		1402-	04	ABC	
84		COVER; UJT, PROP SHAFT 1-37355-020-0		1312-1401	04	AB	
		1-37355-020-0		1402-	04	ABC	
91		BOLT; HOLDER SET, CTR BRG 1-09042-030-0		1312-	02	B	M16X45
92		WASHER; LK, HOLDER SET, CTR BRG					

4-01

PROPELLER SHAFT

KEY	R / C	PART NAME PART NUMBER	I T C	APPLIED DATE	Qty	APPLIED MODEL	RESTRICTION/REMARKS
							A WHEEL BASE 5300MM(53W) B WHEEL BASE 7100MM(71W) C WHEEL BASE 4700MM(47W)
92		1-09503-241-1		1312-	02	B	ID=17
93		NUT; HOLDER SET,CTR BRG 8-98049-689-0		1312-	02	B	M16 SLOTTED
94		PIN; SPLIT,HOLDER SET CTR BRG 0-81124-025-0		1312-	02	B	OD=3.7 L=25
96		BOLT; PROP SHAFT 8-98036-382-0		1312-1401	08	AB	M12X45
		8-98036-382-0		1402-	08	ABC	M12X45
104		PLUG; SLEEVE YOKE 1-09600-049-0		1312-1401	01	AB	(B)
		1-09600-049-0		1402-	01	ABC	(B)
		1-09600-067-0		1312-1401	01	AB	(A)
		1-09600-067-0		1402-	01	ABC	(A)
106		NIPPLE; GREASE, YOKE, PROP SHAFT 0-90301-410-0		1312-1401	01	AB	PT1/8 STRAIGHT
		0-90301-410-0		1312-1401	01	AB	PT1/8 STRAIGHT
		0-90301-410-0		1402-	01	ABC	PT1/8 STRAIGHT
		0-90301-410-0		1402-	01	ABC	PT1/8 STRAIGHT
128		SEAL; SLEEVE 1-37247-019-0		1312-1401	01	AB	(A)
		1-37247-019-0		1402-	01	ABC	(A)
		8-97603-618-0		1312-1401	01	AB	(B)
		8-97603-618-0		1402-	01	ABC	(B)
169		BOLT; YOKE, SLEEVE 8-98036-382-0		1312-1401	04	AB	M12X45
		8-98036-382-0		1402-	04	ABC	M12X45
170		WASHER; LK, YOKE, SLEEVE 0-91510-612-0		1312-1401	04	AB	ID=12.2
		0-91510-612-0		1402-	04	ABC	ID=12.2
225		YOKE; SLEEVE, PROP SHAFT 1-37241-103-1		1312-1401	01	AB	L=332
		1-37241-103-1		1402-	01	ABC	L=332
5-01		Move to 5-01					



KEY	R / C	PART NAME PART NUMBER	I T C	APPLIED DATE	L / R	Qty	APPLIED MODEL	RESTRICTION/REMARKS	
								A	B
1		AXLE; FRT 1-43111-113-6		1312-1403		01	A		
		1-43111-113-6		1404-		01	AB		
2		KNUCKLE; FRT AXLE 1-43131-079-1		1312-1403	R	01	A		
		1-43131-079-1		1404-	R	01	AB		
		1-43132-079-1		1312-1403	L	01	A		
		1-43132-079-1		1404-	L	01	AB		
3	B	KING PIN SET 1-87831-302-2		1312-1403		02	A		
		1-87831-302-2		1404-		02	AB		
5		PIN; KNUCKLE TO DRUM COVER 1-09740-072-0		1312-1403		02	A		
		1-09740-072-0		1404-		02	AB		
6		SEAL; KING PIN 9-09926-024-0		1312-1403		04	A		
		9-09926-024-0		1404-		04	AB		
8		BEARING; NEEDLE,KING PIN 9-00096-242-0		1312-1403		04	A		(A) NTN
		9-00096-242-0		1404-		04	AB		(A) NTN
		9-00096-243-0		1312-1403		02	A		(B) NTN
		9-00096-243-0		1404-		02	AB		(B) NTN
11		RING; SNAP,KNUCKLE PLUG 9-09950-204-0		1312-1403		02	A		
		9-09950-204-0		1404-		02	AB		
17		BOLT; STOPPER KNUCKLE 1-09009-190-0		1312-1403		02	A		M18X43
		1-09009-190-0		1404-		02	AB		M18X43
18		NUT; STOPPER BOLT,KNUCKLE 0-91110-518-0		1312-1403		02	A		M18
		0-91110-518-0		1404-		02	AB		M18
21		NIPPLE; GREASE,KING PIN 0-90301-510-0		1312-1403		04	A		PT1/8 ELBOW 67.5 DEGREES
		0-90301-510-0		1404-		04	AB		PT1/8 ELBOW 67.5 DEGREES
25		BEARING; THRUST,KING PIN 1-09829-043-2		1312-1403		02	A		NSK
		1-09829-043-2		1404-		02	AB		NSK
30		WASHER; THRUST,KING PIN 1-43171-185-0		1312-1403		AR	A		T=4.875 -4.900
		1-43171-185-0		1404-		AR	AB		T=4.875 -4.900
		1-43171-186-0		1312-1403		AR	A		T=4.900 -4.925
		1-43171-186-0		1404-		AR	AB		T=4.900 -4.925
		1-43171-187-0		1312-1403		AR	A		T=4.925 -4.950
		1-43171-187-0		1404-		AR	AB		T=4.925 -4.950
		1-43171-188-0		1312-1403		AR	A		T=4.950 -4.975
		1-43171-188-0		1404-		AR	AB		T=4.950 -4.975
		1-43171-189-0		1312-1403		AR	A		T=4.975 -5.000
		1-43171-189-0		1404-		AR	AB		T=4.975 -5.000

4-10

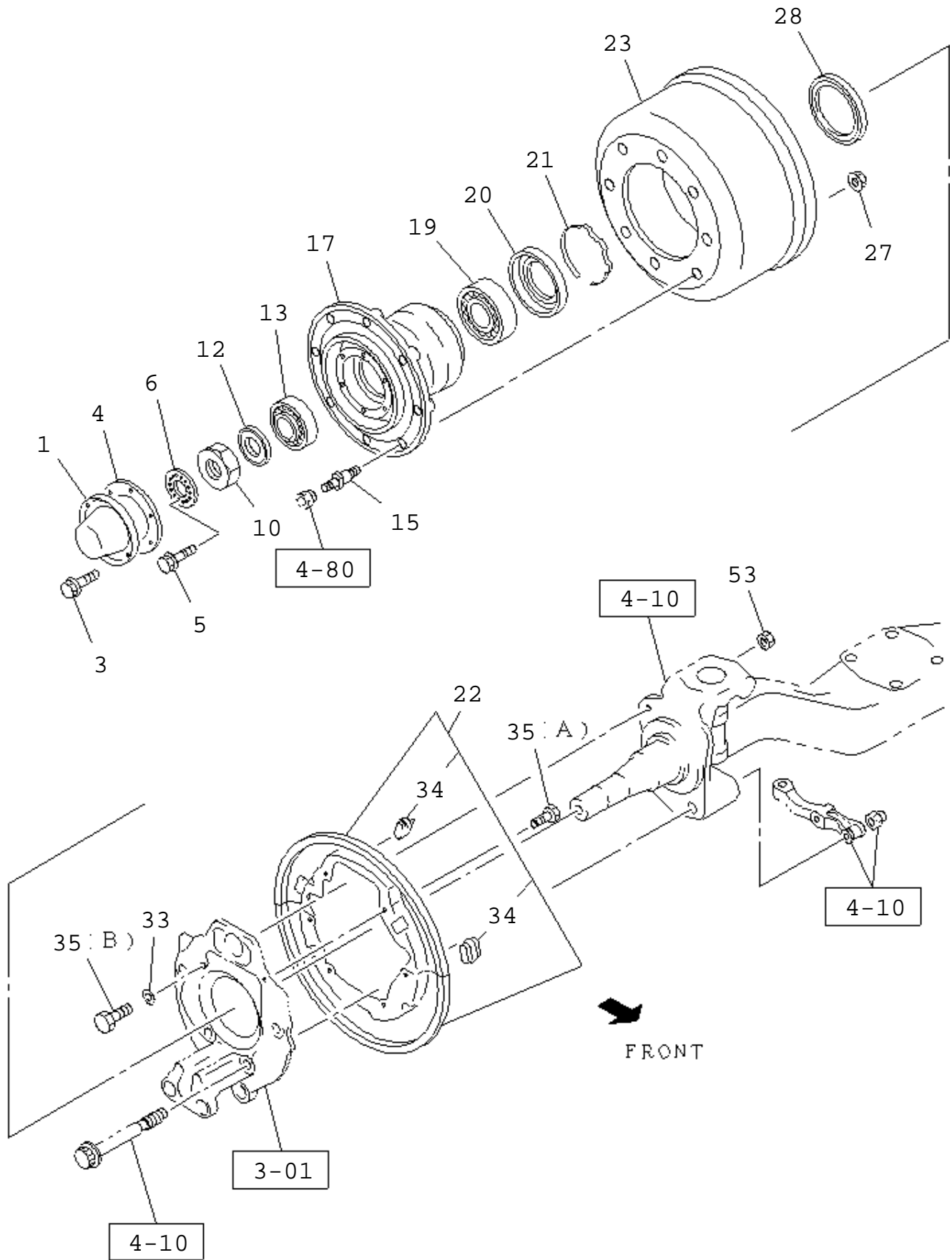
FRONT AXLE

KEY	R / C	PART NAME PART NUMBER	I T C	APPLIED DATE	L / R	Qty	APPLIED MODEL	RESTRICTION/REMARKS	
								A	B
30		1-43171-190-0		1312-1403		AR	A		
		1-43171-190-0		1404-		AR	AB	T=5.000	-5.025
		1-43171-191-0		1312-1403		AR	A	T=5.000	-5.025
		1-43171-191-0		1404-		AR	AB	T=5.025	-5.050
		1-43171-192-0		1312-1403		AR	A	T=5.025	-5.050
		1-43171-192-0		1404-		AR	AB	T=5.050	-5.075
		1-43171-193-0		1312-1403		AR	A	T=5.050	-5.075
		1-43171-193-0		1404-		AR	AB	T=5.075	-5.100
		1-43171-194-0		1312-1403		AR	A	T=5.075	-5.100
		1-43171-194-0		1404-		AR	AB	T=5.100	-5.125
		1-43171-195-0		1312-1403		AR	A	T=5.100	-5.125
		1-43171-195-0		1404-		AR	AB	T=5.125	-5.150
		1-43171-196-0		1312-1403		AR	A	T=5.125	-5.150
		1-43171-196-0		1404-		AR	AB	T=5.150	-5.175
		1-43171-197-0		1312-1403		AR	A	T=5.150	-5.175
		1-43171-197-0		1404-		AR	AB	T=5.175	-5.200
		1-43171-198-0		1312-1403		AR	A	T=5.175	-5.200
		1-43171-198-0		1404-		AR	AB	T=5.200	-5.225
		1-43171-199-0		1312-1403		AR	A	T=5.200	-5.225
		1-43171-199-0		1404-		AR	AB	T=5.225	-5.250
								T=5.225	-5.250
32		BOLT; KEY, KING PIN							
		1-43116-002-1		1312-1403		02	A		
		1-43116-002-1		1404-		02	AB		
33		NUT; KEY BOLT							
		0-91110-510-0		1312-1403		02	A		M10
		0-91110-510-0		1404-		02	AB		M10
34		WASHER; LK, KEY BOLT							
		0-91510-510-0		1312-1403		02	A		ID=10.2
		0-91510-510-0		1404-		02	AB		ID=10.2
36		ARM; KNUCKLE							
		1-43133-063-3		1312-1403		01	A		
		1-43133-063-3		1404-		01	AB		
37		BOLT; KNUCKLE ARM							
		8-98052-380-1		1312-1403		01	A		M22X179
		8-98052-380-1		1404-		01	AB		M22X179
		8-98052-381-1		1312-1403		01	A		M22X167
		8-98052-381-1		1404-		01	AB		M22X167
40		NUT; KNUCKLE ARM							
		1-09449-084-0		1312-1403		02	A		M22
		1-09449-084-0		1404-		02	AB		M22
44		COVER; KING PIN							
		1-43175-014-1		1312-1403		02	A		
		1-43175-014-1		1404-		02	AB		
45		GASKET; KING PIN COVER							

4-10

FRONT AXLE

KEY	R / C	PART NAME PART NUMBER	I T C	APPLIED DATE	L / R	Qty	APPLIED MODEL	RESTRICTION/REMARKS	
								A	B
45		1-42319-044-0		1312-1403		02	A		
48		1-42319-044-0		1404-		02	AB		
		BOLT; COVER							
		0-28051-216-0		1312-1403		08	A		M12X16 FLANGE
		0-28051-216-0		1404-		08	AB		M12X16 FLANGE
58		ARM; TIE ROD							
		1-43134-042-3		1312-1403	R	01	A		
		1-43134-042-3		1404-	R	01	AB		
		1-43135-042-3		1312-1403	L	01	A		
		1-43135-042-3		1404-	L	01	AB		
59		NUT; TIE ROD ARM							
		1-09449-084-0		1312-1403		04	A		M22
		1-09449-084-0		1404-		04	AB		M22
60		BOLT; TIE ROD ARM							
		8-98052-379-1		1312-1403		04	A		M22X193
		8-98052-379-1		1404-		04	AB		M22X193
61	B	ROD END; TIE ROD							
		8-98236-800-0		1312-1403	R	01	A		
		8-98236-800-0		1404-	R	01	AB		
		8-98236-801-0		1312-1403	L	01	A		
		8-98236-801-0		1404-	L	01	AB		
66		NUT; TIE ROD END							
		1-09442-032-0		1312-1403		02	A		M24
		1-09442-032-0		1404-		02	AB		M24
68		BOLT; TIE ROD END							
		8-98053-922-0		1312-1403		04	A		M12X65
		8-98053-922-0		1404-		04	AB		M12X65
73		NIPPLE; GREASE,TIE ROD END							
		1-43159-133-0		1312-1403		02	A		
		1-43159-133-0		1404-		02	AB		
74		NUT; TIE ROD END							
		0-91110-512-0		1312-1403		04	A		M12
		0-91110-512-0		1404-		04	AB		M12
80		PIN; SPLIT,ROD END							
		0-81125-035-0		1312-1403		02	A		OD=4.6 L=35
		0-81125-035-0		1404-		02	AB		OD=4.6 L=35
81		ROD; TIE							
		8-98193-965-0		1312-1403		01	A		
		8-98193-965-0		1404-		01	AB		
275		BOOT; ROD END,TIE							
		8-98229-116-0		1312-1403		02	A		
		8-98229-116-0		1404-		02	AB		
304		WASHER; PL							
		0-91614-512-0		1312-1403		04	A		ID=12.5
		0-91614-512-0		1404-		04	AB		ID=12.5
305		COVER; KNUCKLE							
		8-98052-291-0		1312-1403		02	A		
		8-98052-291-0		1404-		02	AB		



4-11

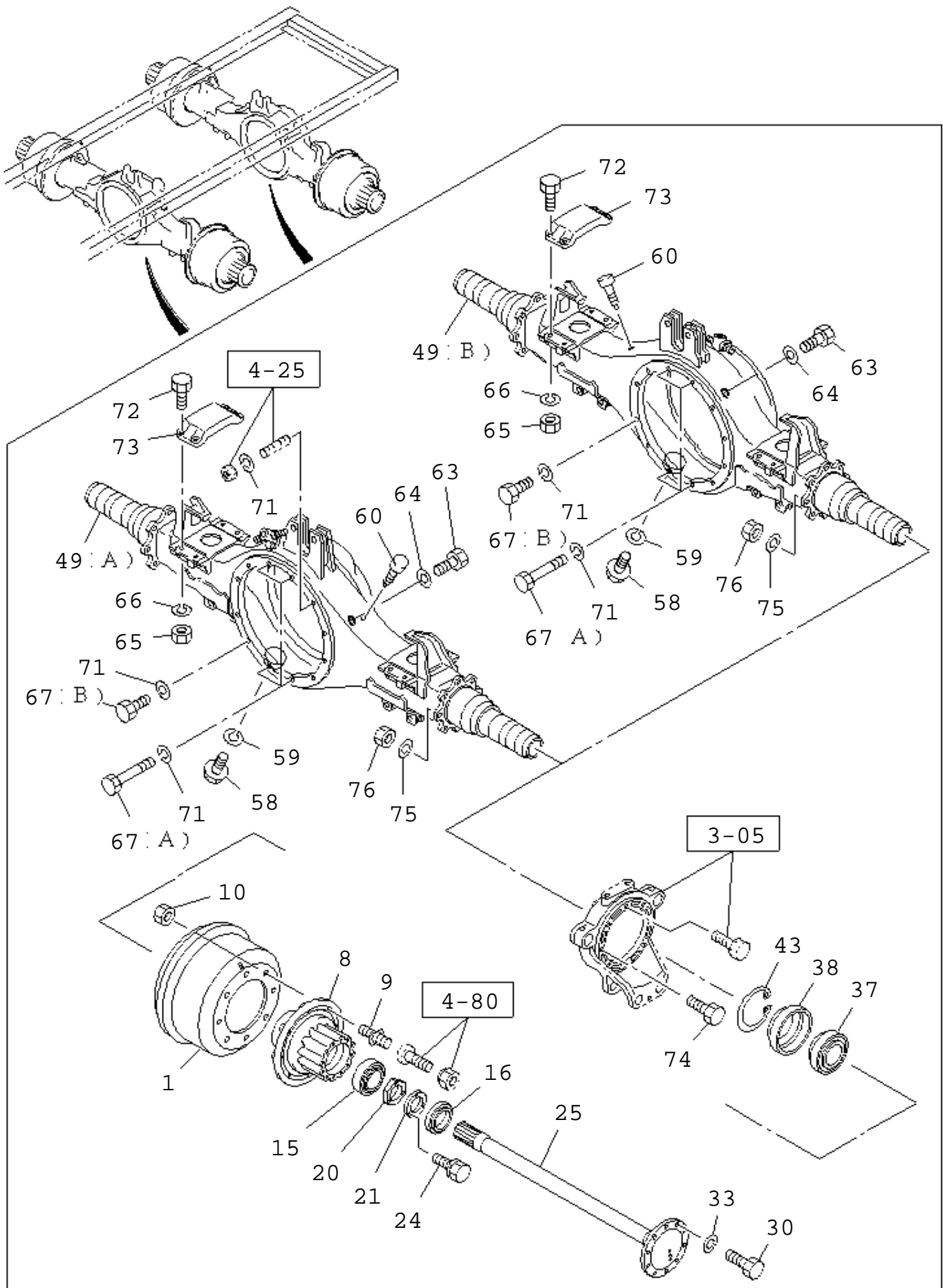
FRONT HUB AND DRUM OR ROTOR

KEY	R / C	PART NAME PART NUMBER	I T C	APPLIED DATE	L / R	Qty	APPLIED MODEL	RESTRICTION/REMARKS	
								A	B
1		CAP; HUB, FRT AXLE 9-42313-123-2		1312-1403		02	A		A FVZ WIDE CAB (FGZ5MV)
		9-42313-123-2		1404-		02	AB	OD=156	B GVZ WIDE CAB (GGZ5MV)
3		BOLT; HUB CAP, FRT WHEEL 0-28050-812-0		1312-1403		12	A	OD=156	
		0-28050-812-0		1404-		12	AB	M8X12 FLANGE	
4	B	GASKET; HUB CAP, FRT WHEEL 1-42319-185-2		1312-1403		02	A	M8X12 FLANGE	
		1-42319-185-2		1404-		02	AB	M8X12 FLANGE	
5		BOLT; LK WASHER 8-98200-943-0		1312-1403		04	A	M6X16 FLANGE	
		8-98200-943-0		1404-		04	AB	M6X16 FLANGE	
6	B	WASHER; LK, FRT HUB 8-98084-561-0		1312-1403		02	A	ID=48	
		8-98084-561-0		1404-		02	AB	ID=48	
10	B	NUT; FRT HUB BRG 1-09840-012-5		1312-1403		02	A	M48	
		1-09840-012-5		1404-		02	AB	M48	
12	B	WASHER; LK, FRT HUB BRG 8-98156-755-0		1312-1403		02	A	ID=48	
		8-98156-755-0		1404-		02	AB	ID=48	
13	B	BEARING; HUB OUTER, FRT AXLE 1-09812-234-0		1312-1403		02	A	KOYO	
		1-09812-234-0		1404-		02	AB	KOYO	
15	B	PIN; WHEEL, FRT AXLE 1-42331-109-1		1312-1403	R	08	A	M24X37.5, M22X57.5 RH THREAD	
		1-42331-109-1		1404-	R	08	AB	M24X37.5, M22X57.5 RH THREAD	
		1-42332-109-1		1312-1403	L	08	A	M24X37.5 LH THREAD, M22X57.5 RH THREAD	
		1-42332-109-1		1404-	L	08	AB	M24X37.5 LH THREAD, M22X57.5 RH THREAD	
17		HUB; FRT AXLE 1-42312-128-2		1312-1403		02	A		
		1-42312-128-2		1404-		02	AB		
19	B	BEARING; HUB INNER, FRT AXLE 1-09812-231-0		1312-1403		02	A	KOYO	
		1-09812-231-0		1404-		02	AB	KOYO	
20		COVER; HUB BRG INNER 1-42319-039-0		1312-1403		02	A		
		1-42319-039-0		1404-		02	AB		
21		RING; SNAP, HUB 1-09587-017-0		1312-1403		02	A		
		1-09587-017-0		1404-		02	AB		
22		COVER SET; FRT BRK DRUM 1-47151-458-1		1312-1403		02	A		
		1-47151-458-1		1404-		02	AB		
23		DRUM; BRK, FRT 1-42315-355-0		1312-1403		02	A		
		1-42315-355-0		1404-		02	AB		
27	B	NUT; WHEEL PIN, FRT AXLE 1-09440-065-0		1312-1403		16	A	M22 FLANGE	
		1-09440-065-0		1404-		16	AB	M22 FLANGE	
28	B	SEAL; OIL, FRT HUB							

4-11

FRONT HUB AND DRUM OR ROTOR

KEY	R / C	PART NAME PART NUMBER	I T C	APPLIED DATE	L / R	Qty	APPLIED MODEL	RESTRICTION/REMARKS
								A FVZ WIDE CAB(FGZ5MV) B GVZ WIDE CAB(GGZ5MV)
28		1-09625-041-0		1312-1403		02	A	
		1-09625-041-0		1404-		02	AB	OD=140
33		WASHER; LK,DRUM COVER 0-91510-816-0		1312-1403		04	A	OD=140
		0-91510-816-0		1404-		04	AB	ID=16.2
34		COVER; CHECK HOLE,DRUM COVER 1-09333-151-0		1312-1403		04	A	ID=16.2
		1-09333-151-0		1404-		04	AB	
35		BOLT; DRUM COVER 0-50541-016-0		1312-1403		12	A	(A) M10X16 W/LK WASHER
		0-50541-016-0		1404-		12	AB	(A) M10X16 W/LK WASHER
		1-09044-120-0		1312-1403		04	A	(B) M16X52
		1-09044-120-0		1404-		04	AB	(B) M16X52
53		NUT; DRUM COVER 0-91110-516-0		1312-1403		04	A	M16
		0-91110-516-0		1404-		04	AB	M16
3-01		Move to 3-01						
4-10		Move to 4-10						
4-80		Move to 4-80						



KEY	R / C	PART NAME PART NUMBER	I T C	APPLIED DATE	L / R	Qty	APPLIED MODEL	RESTRICTION/REMARKS	
								A FVZ WIDE CAB(FGZ5MV)	B GVZ WIDE CAB(GGZ5MV)
1		DRUM; BRK,RR 1-42315-314-2 1-42315-314-2 1-42315-314-2 1-42315-314-2		1312-1403 1312-1403 1404- 1404-		02 02 02 02	A A AB AB		
8		HUB; RR AXLE 1-42311-104-0 1-42311-104-0 1-42311-104-0 1-42311-104-0		1312-1403 1312-1403 1404- 1404-		02 02 02 02	A A AB AB		
9	B	PIN; WHEEL,RR AXLE 1-42331-110-2 1-42331-110-2 1-42331-110-2 1-42331-110-2 1-42332-110-2 1-42332-110-2 1-42332-110-2 1-42332-110-2		1312-1403 1312-1403 1404- 1404- 1312-1403 1312-1403 1404- 1404-	R R R R L L L L	08 08 08 08 08 08 08 08	A A AB AB A A AB AB	M20X34.5,M22X51.5 RH THREAD M20X34.5,M22X51.5 RH THREAD M20X34.5,M22X51.5 RH THREAD M20X34.5,M22X51.5 RH THREAD M20X34.5 LH THREAD,M22X51.5 RH THRE M20X34.5 LH THREAD,M22X51.5 RH THRE M20X34.5 LH THREAD,M22X51.5 RH THRE M20X34.5 LH THREAD,M22X51.5 RH THRE	
10	B	NUT; WHEEL PIN,RR AXLE 1-09440-065-0 1-09440-065-0 1-09440-065-0 1-09440-065-0		1312-1403 1312-1403 1404- 1404-		16 16 16 16	A A AB AB	M22 FLANGE M22 FLANGE M22 FLANGE M22 FLANGE	
15	B	BEARING; HUB OUTER,RR AXLE 1-09812-232-0 1-09812-232-0 1-09812-232-0 1-09812-232-0 1-09812-256-0 1-09812-256-0 1-09812-256-0 1-09812-256-0		1312-1403 1312-1403 1404- 1404- 1312-1403 1312-1403 1404- 1404-		02 02 02 02 02 02 02 02	A A AB AB A A AB AB	KOYO KOYO KOYO KOYO SKF SKF SKF SKF	
16	B	SEAL; OIL,RR HUB,OUTER 1-09625-444-0 1-09625-444-0 1-09625-444-0 1-09625-444-0		1312-1403 1312-1403 1404- 1404-		02 02 02 02	A A AB AB	TKK TKK TKK TKK	
20	B	NUT; BRG,RR HUB 9-09843-062-2 9-09843-062-2 9-09843-062-2 9-09843-062-2		1312-1403 1312-1403 1404- 1404-		02 02 02 02	A A AB AB	M88 M88 M88 M88	
21	B	WASHER; LK,BRG NUT 9-09854-112-0		1312-1403		02	A		ID=88

KEY	R / C	PART NAME PART NUMBER	I T C	APPLIED DATE	L / R	Qty	APPLIED MODEL	RESTRICTION/REMARKS	
								A	B
21		9-09854-112-0		1312-1403		02	A	A FVZ WIDE CAB(FGZ5MV)	
		9-09854-112-0		1404-		02	AB	B GVZ WIDE CAB(GGZ5MV)	ID=88
		9-09854-112-0		1404-		02	AB		ID=88
24		BOLT; LK WASHER 0-28650-616-0		1312-1403		06	A		ID=88
		0-28650-616-0		1312-1403		06	A		M6X16 FLANGE
		0-28650-616-0		1404-		06	AB		M6X16 FLANGE
		0-28650-616-0		1404-		06	AB		M6X16 FLANGE
25		SHAFT; AXLE,RR 8-98185-997-0		1312-1403		01	A		M6X16 FLANGE
		8-98185-997-0		1312-1403		01	A		FORWARD RH, REARWARD LH L=990
		8-98185-997-0		1404-		01	AB		FORWARD RH, REARWARD LH L=990
		8-98185-997-0		1404-		01	AB		FORWARD RH, REARWARD LH L=990
		8-98185-998-0		1312-1403		01	A		FORWARD RH, REARWARD LH L=990
		8-98185-998-0		1312-1403		01	A		FORWARD RH, REARWARD LH L=1110
		8-98185-998-0		1404-		01	AB		FORWARD RH, REARWARD LH L=1110
		8-98185-998-0		1404-		01	AB		FORWARD RH, REARWARD LH L=1110
30		BOLT; HUB TO AXLE SHAFT 1-09000-582-0		1312-1403		20	A		FORWARD RH, REARWARD LH L=1110
		1-09000-582-0		1312-1403		20	A		M14X58
		1-09000-582-0		1404-		20	AB		M14X58
		1-09000-582-0		1404-		20	AB		M14X58
33		WASHER; AXLE SHAFT 0-91510-814-0		1312-1403		20	A		M14X58
		0-91510-814-0		1312-1403		20	A		ID=14.2
		0-91510-814-0		1404-		20	AB		ID=14.2
		0-91510-814-0		1404-		20	AB		ID=14.2
37	B	BEARING; HUB INNER, RR AXLE 1-09812-233-0		1312-1403		02	A		ID=14.2
		1-09812-233-0		1312-1403		02	A		KOYO
		1-09812-233-0		1404-		02	AB		KOYO
		1-09812-233-0		1404-		02	AB		KOYO
		1-09812-257-0		1312-1403		02	A		KOYO
		1-09812-257-0		1312-1403		02	A		SKF
		1-09812-257-0		1404-		02	AB		SKF
									SKF

4-20

REAR AXLE CASE AND SHAFT

KEY	R / C	PART NAME PART NUMBER	I T C	APPLIED DATE	L / R	Qty	APPLIED MODEL	RESTRICTION/REMARKS	
								A FVZ WIDE CAB(FGZ5MV)	B GVZ WIDE CAB(GGZ5MV)
37		1-09812-257-0		1404-		02	AB		
38	B	SEAL; OIL,RR HUB,INNER 1-09625-265-0		1312-1403		02	A	SKF	
		1-09625-265-0		1312-1403		02	A	NOK	
		1-09625-265-0		1404-		02	AB	NOK	
		1-09625-265-0		1404-		02	AB	NOK	
		1-09625-350-0		1312-1403		02	A	NOK	
		1-09625-350-0		1312-1403		02	A	TKK	
		1-09625-350-0		1404-		02	AB	TKK	
		1-09625-350-0		1404-		02	AB	TKK	
43		RING; SNAP,HUB SEAL,RR AXLE 1-09587-057-0		1312-1403		02	A		OD=179
		1-09587-057-0		1312-1403		02	A		OD=179
		1-09587-057-0		1404-		02	AB		OD=179
		1-09587-057-0		1404-		02	AB		OD=179
49		CASE; RR AXLE 8-98260-439-0		1402-1403		01	A		HEAVY DUTY PACKAGE TRUCK VAR3<Y48> (B)
		8-98260-439-0		1404-		01	AB		HEAVY DUTY PACKAGE TRUCK VAR3<Y48> (B)
		8-98203-042-0		1312-1312		01	A		HEAVY DUTY PACKAGE TRUCK VAR3<Y48> (A)
		8-98203-043-0		1312-1312		01	A		HEAVY DUTY PACKAGE TRUCK VAR3<Y48> (B)
		8-98210-823-0		1312-1312		01	A		EXC. HEAVY DUTY PACKAGE TRUCK VAR3< (A)
		8-98210-823-0		1312-1403		01	A		(A)
		8-98210-823-0		1404-		01	AB		(A)
		8-98210-825-0		1312-1403		01	A		EXC. HEAVY DUTY PACKAGE TRUCK VAR3< (B)
		8-98210-825-0		1404-		01	AB		EXC. HEAVY DUTY PACKAGE TRUCK VAR3< (B)
58		PLUG; DRAIN,AXLE CASE 1-09604-023-0		1312-1403		01	A		M24X17 FLANGE
		1-09604-023-0		1312-1403		01	A		M24X17 FLANGE
		1-09604-023-0		1404-		01	AB		M24X17 FLANGE
		1-09604-023-0		1404-		01	AB		M24X17 FLANGE
59		GASKET; DRAIN PLUG 9-09920-605-0		1312-1403		01	A		ID=26.8
		9-09920-605-0		1312-1403		01	A		ID=26.8
		9-09920-605-0		1404-		01	AB		ID=26.8
		9-09920-605-0		1404-		01	AB		ID=26.8
60		BREATHER; RR AXLE CASE 1-09893-003-0		1312-1403		02	A		
		1-09893-003-0		1404-		02	AB		
63		PLUG; OIL FILLER,AXLE CASE 1-09604-022-0		1312-1403		01	A		M24X17 FLANGE
		1-09604-022-0		1312-1403		01	A		M24X17 FLANGE

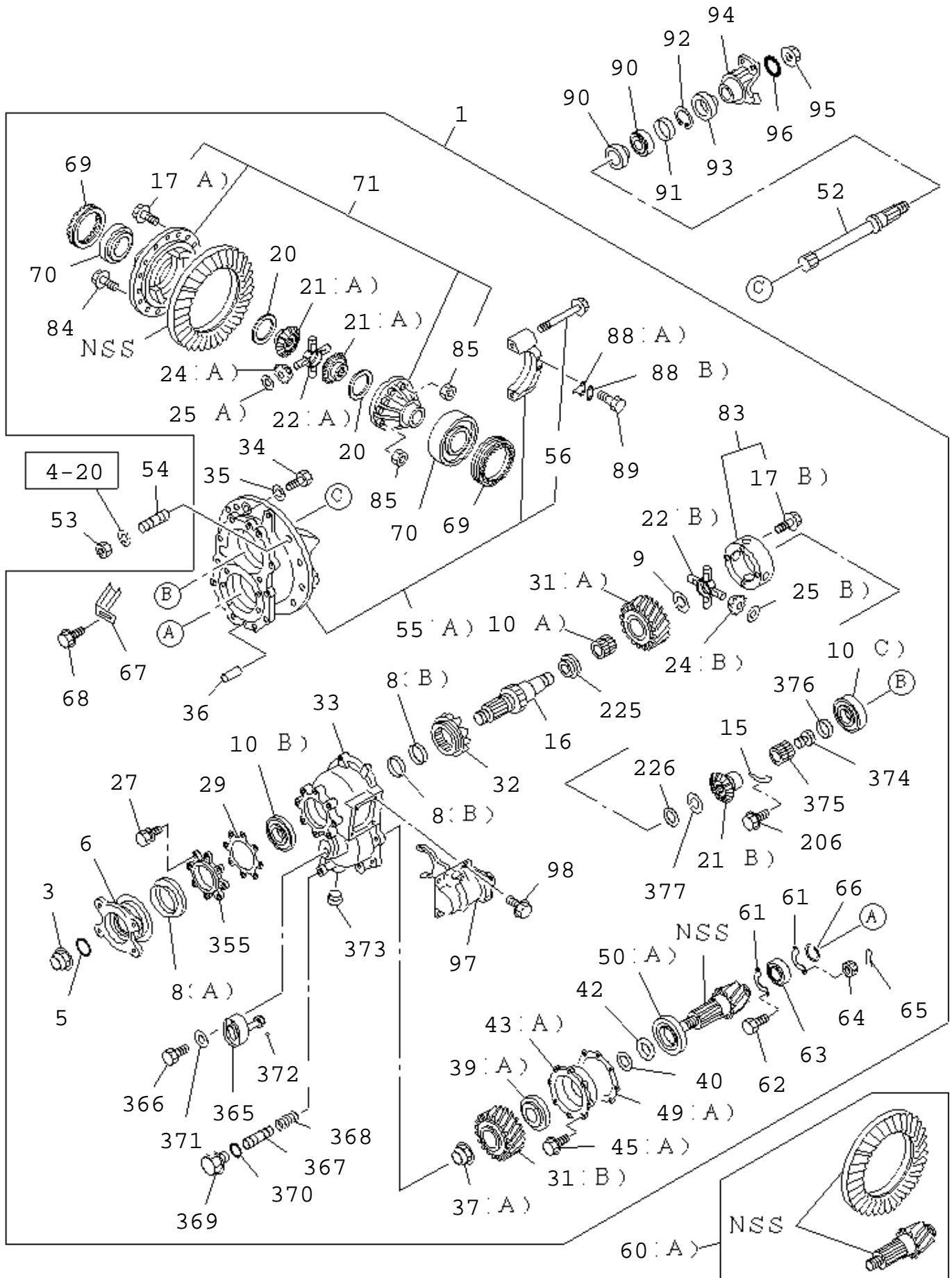
KEY	R / C	PART NAME PART NUMBER	I T C	APPLIED DATE	L / R	Qty	APPLIED MODEL	RESTRICTION/REMARKS
								A FVZ WIDE CAB(FGZ5MV) B GVZ WIDE CAB(GGZ5MV)
63		1-09604-022-0		1404-		01	AB	
		1-09604-022-0		1404-		01	AB	M24X17 FLANGE
64		GASKET; OIL FILLER, AXLE CASE 9-09920-605-0		1312-1403		01	A	M24X17 FLANGE
		9-09920-605-0		1312-1403		01	A	ID=26.8
		9-09920-605-0		1404-		01	AB	ID=26.8
		9-09920-605-0		1404-		01	AB	ID=26.8
65		NUT 0-91110-514-0		1312-1403		08	A	ID=26.8
		0-91110-514-0		1312-1403		08	A	M14
		0-91110-514-0		1404-		08	AB	M14
		0-91110-514-0		1404-		08	AB	M14
66		WASHER; LK 0-91510-814-0		1312-1403		08	A	M14
		0-91510-814-0		1312-1403		08	A	ID=14.2
		0-91510-814-0		1404-		08	AB	ID=14.2
		0-91510-814-0		1404-		08	AB	ID=14.2
67		BOLT; FINAL DRIVE SETTING 0-10956-670-0		1312-1403		04	A	ID=14.2
		0-10956-670-0		1312-1403		04	A	(A) M16X70
		0-10956-670-0		1404-		04	AB	(A) M16X70
		0-10956-670-0		1404-		04	AB	(A) M16X70
		0-20951-640-0		1312-1403		07	A	(A) M16X70
		0-20951-640-0		1404-		07	AB	(B) FORWARD M16X40
		0-20951-640-0		1312-1312		08	A	(B) FORWARD M16X40
		0-20951-640-0		1402-1403		08	A	(B) REARWARD M16X40
		0-20951-640-0		1404-		08	AB	(B) REARWARD M16X40
71		WASHER; LK, FINAL DRIVE SETTING 0-91510-816-0		1312-1403		12	A	(B) REARWARD M16X40
		0-91510-816-0		1312-1403		12	A	ID=16.2
		0-91510-816-0		1404-		12	AB	ID=16.2
		0-91510-816-0		1404-		12	AB	ID=16.2
72		BOLT; PAD FIX 0-20951-440-0		1312-1403		08	A	ID=16.2
		0-20951-440-0		1312-1403		08	A	M14X40
								M14X40

4-20

REAR AXLE CASE AND SHAFT

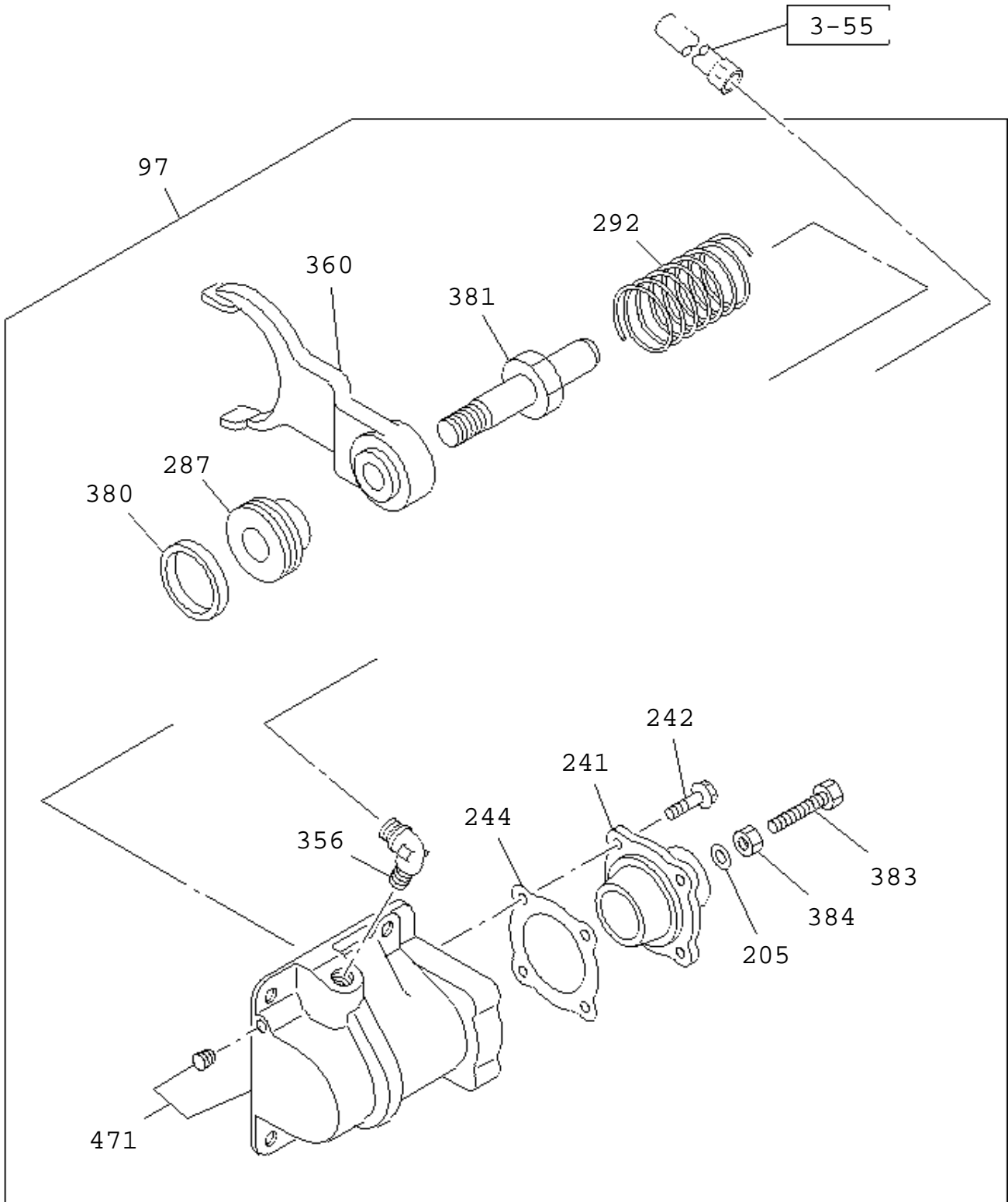
KEY	R / C	PART NAME PART NUMBER	I T C	APPLIED DATE	L / R	Qty	APPLIED MODEL	RESTRICTION/REMARKS
								A FVZ WIDE CAB(FGZ5MV) B GVZ WIDE CAB(GGZ5MV)
72		0-20951-440-0		1404-		08	AB	
		0-20951-440-0		1404-		08	AB	M14X40
73		PAD; RR SPR CONTACT 1-42124-101-0 1-42124-101-0 1-42124-101-0 1-42124-101-0		1312-1403 1312-1403 1404- 1404-		02 02 02 02	A A AB AB	M14X40
74		BOLT; RR BRK ASM SETTING 1-09040-066-0 1-09040-066-0 1-09040-066-0 1-09040-066-0		1312-1403 1312-1403 1404- 1404-		14 14 14 14	A A AB AB	M14X50 M14X50 M14X50 M14X50
75		WASHER; LK,RR BRK ASM SETTING 0-91510-814-0 0-91510-814-0 0-91510-814-0 0-91510-814-0		1312-1403 1312-1403 1404- 1404-		16 16 16 16	A A AB AB	ID=14.2 ID=14.2 ID=14.2 ID=14.2
76		NUT; RR BRK ASM SETTING 0-91110-514-0 0-91110-514-0 0-91110-514-0 0-91110-514-0		1312-1403 1312-1403 1404- 1404-		16 16 16 16	A A AB AB	M14 M14 M14 M14
3-05		Move to 3-05						
4-25		Move to 4-25						
4-80		Move to 4-80						

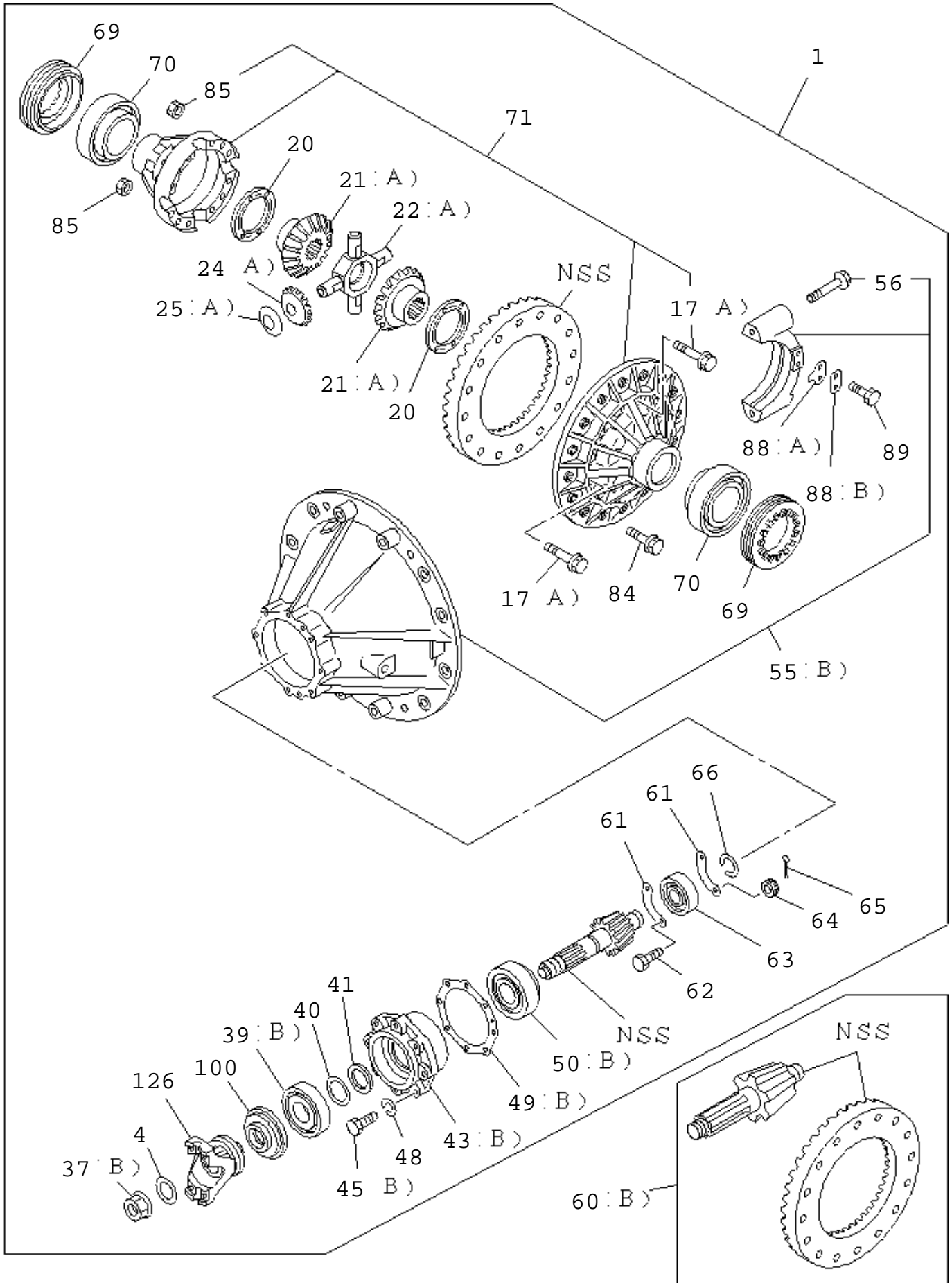
4-25 REAR FINAL DRIVE
FORWARD; COMPONENT AND OUTPUT SHAFT



4-25 REAR FINAL DRIVE

FORWARD; SHIFT UNIT





4-25

REAR FINAL DRIVE

KEY	R / C	PART NAME PART NUMBER	I T C	APPLIED DATE	L / R	Qty	APPLIED MODEL	RESTRICTION/REMARKS
								A FINAL GEAR 45/7 17.5" (W3X) B FINAL GEAR 43/7 17.5" (W3Y) C FINAL GEAR 39/7 17.5" (W3Z) D FINAL GEAR 41/8 17.5" (W4A)
1	D	DRIVE ASM; FINAL,RR 1-41001-391-0		1312-		01	A	REARWARD 45/7
		1-41002-036-0		1312-		01	A	FORWARD 45/7
		1-41001-392-0		1312-		01	B	REARWARD 43/7
		1-41002-038-0		1312-		01	B	FORWARD 43/7
		1-41001-393-0		1312-		01	C	REARWARD 39/7
		1-41002-040-0		1312-		01	C	FORWARD 39/7
		1-41001-394-0		1312-		01	D	REARWARD 41/8
		1-41002-042-0		1312-		01	D	FORWARD 41/8
3		NUT; INPUT SHAFT 1-09449-071-0		1312-		01	ABCD	M46 FLANGE
4		GASKET; FLANGE,FINAL PINION 1-09623-386-0		1312-		01	ABCD	ID=57
5		GASKET; INPUT SHAFT 1-09623-386-0		1312-		01	ABCD	ID=57
6		FLANGE ASM; INPUT SHAFT 1-37245-265-2		1312-		01	ABCD	
8		SEAL; OIL,INPUT SHAFT 1-09625-323-0		1312-		01	ABCD	(A)
		1-41349-145-0		1312-		02	ABCD	(B)
9		RING; SNAP,BRG,INPUT 1-09588-192-0		1312-		01	ABCD	
10		BEARING; INPUT SHAFT 1-09811-346-0		1312-		01	ABCD	(A) KOYO
		1-09811-347-0		1312-		01	ABCD	(A) NSK
		1-09812-094-0		1312-		01	ABCD	(B) NSK
		1-09812-182-0		1312-		01	ABCD	(C) KOYO
		1-09812-183-0		1312-		01	ABCD	(C) NSK
		1-09812-198-0		1312-		01	ABCD	(B) KOYO
15		CATCHER; OIL 1-41129-007-0		1312-		01	ABCD	
16		SHAFT ASM; INPUT 1-41341-025-0		1312-		01	ABCD	
17		BOLT; DIFF CAGE SETTING 1-09070-007-0		1312-		04	ABCD	(A) M16X125

4-25

REAR FINAL DRIVE

KEY	R / C	PART NAME PART NUMBER	I T C	APPLIED DATE	L / R	Qty	APPLIED MODEL	RESTRICTION/REMARKS
								A FINAL GEAR 45/7 17.5" (W3X) B FINAL GEAR 43/7 17.5" (W3Y) C FINAL GEAR 39/7 17.5" (W3Z) D FINAL GEAR 41/8 17.5" (W4A)
17		1-09070-007-0		1312-		04	ABCD	(A) M16X125
		1-09070-018-0		1312-		08	ABCD	(A) M16X113
		1-09070-018-0		1312-		08	ABCD	(A) M16X113
		1-09070-108-0		1312-		08	ABCD	(B) M10X55
20		WASHER; THRUST, SIDE GEAR 1-41562-112-0		1312-		AR	ABCD	T=2.8
		1-41562-112-0		1312-		AR	ABCD	T=2.8
		1-41562-113-0		1312-		AR	ABCD	T=2.9
		1-41562-113-0		1312-		AR	ABCD	T=2.9
		1-41562-114-0		1312-		AR	ABCD	T=3.0
		1-41562-114-0		1312-		AR	ABCD	T=3.0
		1-41562-115-0		1312-		AR	ABCD	T=3.1
		1-41562-115-0		1312-		AR	ABCD	T=3.1
		1-41562-116-0		1312-		AR	ABCD	T=3.2
		1-41562-116-0		1312-		AR	ABCD	T=3.2
		1-41562-117-0		1312-		AR	ABCD	T=3.3
		1-41562-117-0		1312-		AR	ABCD	T=3.3
		1-41562-118-0		1312-		AR	ABCD	T=3.4
		1-41562-118-0		1312-		AR	ABCD	T=3.4
21		GEAR; SIDE, DIFF 1-41561-151-0		1312-		02	ABCD	(A) Z=16
		1-41561-151-0		1312-		02	ABCD	(A) Z=16
		1-41561-169-0		1312-		01	ABCD	(B) Z=16
22		SPIDER; DIFF PINION 1-41521-037-2		1312-		01	ABCD	(A) OD=35
		1-41521-037-2		1312-		01	ABCD	(A) OD=35
		1-41521-049-2		1312-		01	ABCD	(B)
24		GEAR; PINION, DIFF 1-41551-053-0		1312-		04	ABCD	(A) Z=10
		1-41551-053-0		1312-		04	ABCD	(A) Z=10
		1-41551-055-0		1312-		04	ABCD	(B) Z=10
25		WASHER; THRUST, PINION						

4-25

REAR FINAL DRIVE

KEY	R / C	PART NAME PART NUMBER	I T C	APPLIED DATE	L / R	Qty	APPLIED MODEL	RESTRICTION/REMARKS
								A FINAL GEAR 45/7 17.5" (W3X) B FINAL GEAR 43/7 17.5" (W3Y) C FINAL GEAR 39/7 17.5" (W3Z) D FINAL GEAR 41/8 17.5" (W4A)
25		1-41552-017-0		1312-		04	ABCD	(A) T=1.6
		1-41552-017-0		1312-		04	ABCD	(A) T=1.6
		1-41552-023-0		1312-		04	ABCD	(B) T=1.6
27		BOLT; BRG RET 0-50551-235-0		1312-		08	ABCD	M12X35 W/LK WASHER
29		SHIM; BRG RET 1-41349-146-0		1312-		AR	ABCD	T=0.30
		1-41349-147-0		1312-		AR	ABCD	T=0.40
		1-41349-148-0		1312-		AR	ABCD	T=0.50
		1-41349-149-0		1312-		AR	ABCD	T=1.000
31		GEAR; DRIVEN, HELICAL 1-41351-044-0		1312-		01	ABCD	(A) Z=16
		1-41352-029-0		1312-		01	ABCD	(B) Z=31
32		SLEEVE; CLU, DIFF LK 1-41355-038-0		1312-		01	ABCD	
33		CASE; POWER DIVIDER 1-41321-024-1		1312-		01	ABCD	
34		BOLT; CASE TO CARRIER 0-23851-440-0		1312-		10	ABCD	M14X40
35		WASHER; CASE TO CARRIER 0-91510-814-0		1312-		10	ABCD	ID=14.2
36		PIN; STRAIGHT 9-08161-428-0		1312-		02	ABCD	OD=14 L=28
37		NUT; DRIVING PINION 1-09449-061-0		1312-		01	ABCD	(A) M42
		1-09449-071-0		1312-		01	ABCD	(B) M46 FLANGE
39		BEARING; FINAL PINION 1-09812-073-1		1312-		01	ABCD	(A) NSK
		1-09812-074-3		1312-		01	ABCD	(A) KOYO
		1-09812-075-0		1312-		01	ABCD	(B) NSK
		1-09812-076-1		1312-		01	ABCD	(B) KOYO
40		SHIM; FINAL PINION 1-41229-245-0		1312-		AR	ABCD	T=3.25
		1-41229-245-0		1312-		AR	ABCD	T=3.25
		1-41229-246-0		1312-		AR	ABCD	T=3.26
		1-41229-246-0		1312-		AR	ABCD	T=3.26
		1-41229-247-0		1312-		AR	ABCD	T=3.27

4-25

REAR FINAL DRIVE

KEY	R / C	PART NAME PART NUMBER	I T C	APPLIED DATE	L / R	Qty	APPLIED MODEL	RESTRICTION/REMARKS	
								A FINAL GEAR 45/7 17.5" (W3X)	B FINAL GEAR 43/7 17.5" (W3Y)
40		1-41229-247-0		1312-		AR	ABCD		T=3.27
		1-41229-248-0		1312-		AR	ABCD		T=3.28
		1-41229-248-0		1312-		AR	ABCD		T=3.28
		1-41229-249-0		1312-		AR	ABCD		T=3.29
		1-41229-249-0		1312-		AR	ABCD		T=3.29
		1-41229-250-0		1312-		AR	ABCD		T=3.30
		1-41229-250-0		1312-		AR	ABCD		T=3.30
		1-41229-251-0		1312-		AR	ABCD		T=3.31
		1-41229-251-0		1312-		AR	ABCD		T=3.31
		1-41229-252-0		1312-		AR	ABCD		T=3.32
		1-41229-252-0		1312-		AR	ABCD		T=3.32
		1-41229-253-0		1312-		AR	ABCD		T=3.33
		1-41229-253-0		1312-		AR	ABCD		T=3.33
		1-41229-254-0		1312-		AR	ABCD		T=3.34
		1-41229-254-0		1312-		AR	ABCD		T=3.34
		1-41229-255-0		1312-		AR	ABCD		T=3.35
		1-41229-255-0		1312-		AR	ABCD		T=3.35
41		SPACER; FINAL DRIVE PINION BRG 1-41229-237-0		1312-		AR	ABCD		T=7.60
		1-41229-238-0		1312-		AR	ABCD		T=7.80
		1-41229-239-0		1312-		AR	ABCD		T=8.00
		1-41229-240-0		1312-		AR	ABCD		T=8.20
		1-41229-241-0		1312-		AR	ABCD		T=8.40
		1-41229-242-0		1312-		AR	ABCD		T=8.60
		1-41229-243-0		1312-		AR	ABCD		T=8.80
		1-41229-244-0		1312-		AR	ABCD		T=9.00
42		COLLAR; DIST, COLLAPSIBLE 1-41229-237-0		1312-		AR	ABCD		T=7.60
		1-41229-238-0		1312-		AR	ABCD		T=7.80
		1-41229-239-0		1312-		AR	ABCD		T=8.00
		1-41229-240-0		1312-		AR	ABCD		T=8.20
		1-41229-241-0		1312-		AR	ABCD		T=8.40
		1-41229-242-0		1312-		AR	ABCD		T=8.60
		1-41229-243-0		1312-		AR	ABCD		T=8.80
		1-41229-244-0		1312-		AR	ABCD		T=9.00
43		CAGE; FINAL PINION 1-41151-030-0		1312-		01	ABCD		(B) T=81

KEY	R / C	PART NAME PART NUMBER	I T C	APPLIED DATE	L / R	Qty	APPLIED MODEL	RESTRICTION/REMARKS
								A FINAL GEAR 45/7 17.5" (W3X) B FINAL GEAR 43/7 17.5" (W3Y) C FINAL GEAR 39/7 17.5" (W3Z) D FINAL GEAR 41/8 17.5" (W4A)
43		1-41151-053-0		1312-		01	ABCD	(A) T=53
45		BOLT; FINAL PINION CAGE 0-16806-655-0		1312-		08	ABCD	(B) M16X55
		1-09070-107-0		1312-		08	ABCD	(A) M16X40
48		WASHER; LK,FINAL PINION 0-91510-516-0		1312-		08	ABCD	ID=16.2
49		SHIM; FINAL PINION CAGE 1-41154-024-0		1312-		AR	ABCD	(B) T=0.50
		1-41154-025-0		1312-		AR	ABCD	(B) T=1.00
		1-41154-057-0		1312-		AR	ABCD	(B) T=0.30
		1-41154-058-0		1312-		AR	ABCD	(B) T=0.40
		1-41154-071-0		1312-		AR	ABCD	(A) T=0.50
		1-41154-072-0		1312-		AR	ABCD	(A) T=1.000
		1-41154-073-0		1312-		AR	ABCD	(A) T=0.30
		1-41154-074-0		1312-		AR	ABCD	(A) T=0.40
50		BEARING; FINAL PINION 1-09812-073-1		1312-		01	ABCD	(B) NSK
		1-09812-074-3		1312-		01	ABCD	(B) KOYO
		1-09812-075-0		1312-		01	ABCD	(A) NSK
		1-09812-076-1		1312-		01	ABCD	(A) KOYO
52		SHAFT; OUTPUT 1-41343-020-0		1312-		01	ABCD	
53		NUT; FINAL DRIVE SET 0-91110-516-0		1312-		01	ABCD	M16
54		STUD; FINAL DRIVE SET 9-09830-243-0		1312-		01	ABCD	M16X32 L=56
55		CARRIER; DIFF 1-41110-109-0		1312-		01	ABCD	(B)
		1-41310-050-0		1312-		01	ABCD	(A)
56		BOLT; BRG CAP 1-09070-042-0		1312-		04	ABCD	M20X112
		1-09070-042-0		1312-		04	ABCD	M20X112
60		GEAR SET; FINAL DRIVE,RR						

4-25

REAR FINAL DRIVE

KEY	R / C	PART NAME PART NUMBER	I T C	APPLIED DATE	L / R	Qty	APPLIED MODEL	RESTRICTION/REMARKS
								A FINAL GEAR 45/7 17.5" (W3X) B FINAL GEAR 43/7 17.5" (W3Y) C FINAL GEAR 39/7 17.5" (W3Z) D FINAL GEAR 41/8 17.5" (W4A)
60		1-41210-474-0		1312-		01	A	(A) 45/7
		1-41210-602-0		1312-		01	A	(B) 45/7
		1-41210-475-0		1312-		01	B	(A) 43/7
		1-41210-603-0		1312-		01	B	(B) 43/7
		1-41210-476-0		1312-		01	C	(A) 39/7
		1-41210-604-0		1312-		01	C	(B) 39/7
		1-41210-477-0		1312-		01	D	(A) 41/8
		1-41210-605-0		1312-		01	D	(B) 41/8
61		RETAINER; PILOT BRG, PINION 1-41227-012-0		1312-		02	ABCD	T=3.2
		1-41227-012-0		1312-		02	ABCD	T=3.2
62		BOLT; RET 1-09042-038-1		1312-		02	ABCD	M8X40 W/PIN HOLE
		1-09042-038-1		1312-		02	ABCD	M8X40 W/PIN HOLE
63		BEARING; PINION PILOT 1-09810-182-0		1312-		01	ABCD	KOYO
		1-09810-182-0		1312-		01	ABCD	KOYO
		1-09810-183-0		1312-		01	ABCD	NSK
		1-09810-183-0		1312-		01	ABCD	NSK
64		NUT; RET 0-91117-508-0		1312-		02	ABCD	M8 SLOTTED
		0-91117-508-0		1312-		02	ABCD	M8 SLOTTED
65		PIN; SPLIT, RET 0-81122-012-0		1312-		02	ABCD	
		0-81122-012-0		1312-		02	ABCD	
66		RING; SNAP, PILOT BRG 1-09588-086-2		1312-		01	ABCD	OD=37.2
		1-09588-086-2		1312-		01	ABCD	OD=37.2
67		PICKUP; OIL, CARRIER 1-41129-008-0		1312-		01	ABCD	
68		BOLT; OIL PICKUP FIX 8-94479-696-1		1312-		02	ABCD	M8X12 FLANGE
69		NUT; ADJ, DIFF CAGE 1-41121-001-0		1312-	R	01	ABCD	M155 H=26
		1-41121-001-0		1312-	R	01	ABCD	M155 H=26
		1-41121-002-0		1312-	L	01	ABCD	M155 H=30
		1-41121-002-0		1312-	L	01	ABCD	M155 H=30
70		BEARING; DIFF CAGE						

4-25

REAR FINAL DRIVE

KEY	R / C	PART NAME PART NUMBER	I T C	APPLIED DATE	L / R	Qty	APPLIED MODEL	RESTRICTION/REMARKS
								A FINAL GEAR 45/7 17.5" (W3X) B FINAL GEAR 43/7 17.5" (W3Y) C FINAL GEAR 39/7 17.5" (W3Z) D FINAL GEAR 41/8 17.5" (W4A)
70		1-09812-225-0		1312-		02	ABCD	KOYO ID=92 OD=152 T=40
		1-09812-225-0		1312-		02	ABCD	KOYO ID=92 OD=152 T=40
71		CAGE ASM; DIFF,FINAL DRIVE 1-41510-141-0		1312-		01	ABCD	
		1-41510-141-0		1312-		01	ABCD	
83		CAGE ASM; DIFF 1-41510-224-0		1312-		01	ABCD	
84		BOLT; FINAL DRIVE GEAR 1-09009-049-1		1312-		16	ABCD	M18X38 FLANGE
		1-09009-049-1		1312-		16	ABCD	M18X38 FLANGE
85		NUT; DIFF CAGE SETTING 0-91110-516-0		1312-		12	ABCD	M16
		0-91110-516-0		1312-		12	ABCD	M16
88		PLATE; LK,ADJ NUT 1-41124-006-0		1312-		02	ABCD	(A) T=3.2
		1-41124-006-0		1312-		02	ABCD	(A) T=3.2
		9-41124-005-0		1312-		02	ABCD	(B) T=1.0
		9-41124-005-0		1312-		02	ABCD	(B) T=1.0
89		BOLT; LK PLATE 0-20850-816-0		1312-		04	ABCD	M8X16
		0-20850-816-0		1312-		04	ABCD	M8X16
90		BEARING; OUTPUT SHAFT 1-09812-068-0		1312-		02	ABCD	NSK
		1-09812-069-0		1312-		02	ABCD	KOYO
91		SHIM; BRG,OUTPUT SHAFT 1-41349-020-0		1312-		AR	ABCD	T=4.60
		1-41349-021-0		1312-		AR	ABCD	T=4.70
		1-41349-022-0		1312-		AR	ABCD	T=4.80
		1-41349-023-0		1312-		AR	ABCD	T=4.90
		1-41349-024-0		1312-		AR	ABCD	T=5.00
		1-41349-025-0		1312-		AR	ABCD	T=5.10
		1-41349-026-0		1312-		AR	ABCD	T=5.20
		1-41349-027-0		1312-		AR	ABCD	T=5.30
		1-41349-091-0		1312-		AR	ABCD	T=4.50
		1-41349-092-0		1312-		AR	ABCD	T=5.40
92		RING; SNAP,BRG,OUTPUT SHAFT 9-09180-185-0		1312-		01	ABCD	OD=90.5
93		SEAL; OIL,OUTPUT SHAFT 1-09625-217-0		1312-		01	ABCD	
94		FLANGE ASM; OUTPUT SHAFT 1-37245-130-1		1312-		01	ABCD	
95		NUT; OUTPUT SHAFT						

4-25

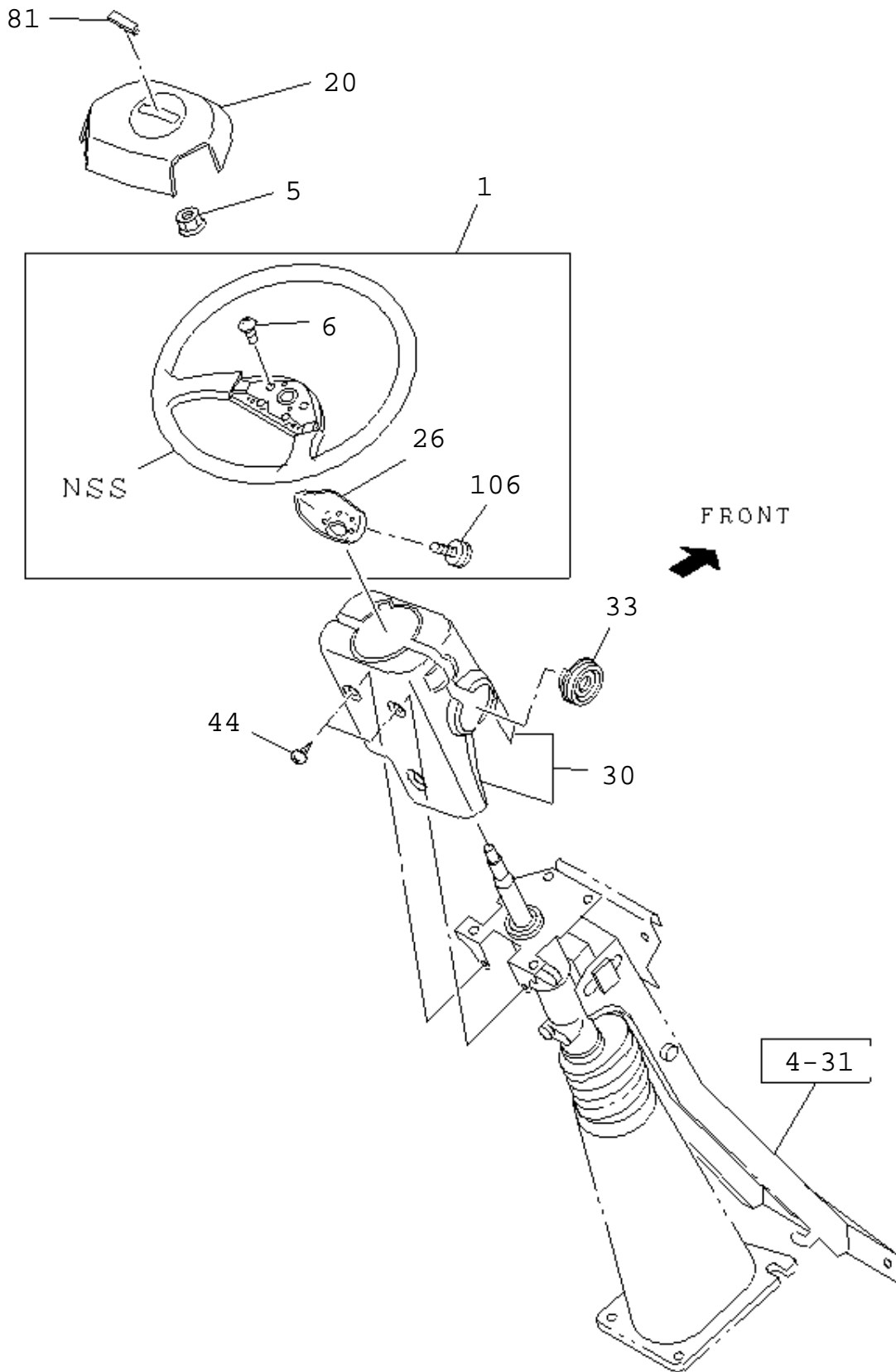
REAR FINAL DRIVE

KEY	R / C	PART NAME PART NUMBER	I T C	APPLIED DATE	L / R	Qty	APPLIED MODEL	RESTRICTION/REMARKS
								A FINAL GEAR 45/7 17.5" (W3X) B FINAL GEAR 43/7 17.5" (W3Y) C FINAL GEAR 39/7 17.5" (W3Z) D FINAL GEAR 41/8 17.5" (W4A)
95		1-09449-067-0		1312-		01	ABCD	M36 FLANGE
96		GASKET; SHAFT, OUTPUT 1-09623-387-0		1312-		01	ABCD	ID=42
97		SHIFT UNIT; DIFF LOCK 1-48260-060-1		1312-		01	ABCD	
98		BOLT; SHIFT UNIT TO CARRIER 0-28151-050-0		1312-		01	ABCD	M10X50 FLANGE
		0-28751-025-0		1312-		03	ABCD	M10X25 FLANGE
100		SEAL; OIL, FINAL PINION 1-09625-322-0		1312-		01	ABCD	NOK
126		COUPLING; DRIVING PINION 1-37245-336-0		1312-		01	ABCD	
205		WASHER; PL 9-09160-510-0		1312-		01	ABCD	ID=10.5 OD=18
206		BOLT; OIL CATCHER 8-94479-696-1		1312-		02	ABCD	M8X12 FLANGE
225		WASHER; THRUST 1-41552-024-2		1312-		AR	ABCD	T=5.9
		1-41552-025-2		1312-		AR	ABCD	T=6.0
		1-41552-026-2		1312-		AR	ABCD	T=6.1
		1-41552-027-2		1312-		AR	ABCD	T=6.2
		1-41552-028-2		1312-		AR	ABCD	T=6.3
		1-41552-029-2		1312-		AR	ABCD	T=6.4
		1-41552-030-2		1312-		AR	ABCD	T=6.5
		1-41552-031-2		1312-		AR	ABCD	T=6.6
		1-41552-032-2		1312-		AR	ABCD	T=6.7
		1-41552-033-2		1312-		AR	ABCD	T=6.8
		1-41552-034-2		1312-		AR	ABCD	T=6.9
		1-41552-035-2		1312-		AR	ABCD	T=7.0
		1-41552-036-2		1312-		AR	ABCD	T=7.1
226		WASHER; THRUST 1-41562-267-0		1312-		01	ABCD	
241		COVER; SHIFT HSG 1-48266-012-1		1312-		01	ABCD	
242		BOLT; COVER 0-20800-820-0		1312-		04	ABCD	M8X20
244		GASKET; COVER 1-48269-062-0		1312-		01	ABCD	
287		PISTON; SHIFT UNIT 1-48262-012-0		1312-		01	ABCD	
292		SPRING; PISTON 1-48265-007-0		1312-		01	ABCD	
355		RETAINER; BRG 1-41227-016-0		1312-		01	ABCD	
356		NIPPLE; SHIFT UNIT 1-09650-430-0		1312-		01	ABCD	M12 & PT1/4 ELBOW
360		FORK; SHIFT 1-48269-066-0		1312-		01	ABCD	
365		PUMP ASM; OIL 1-41381-008-1		1312-		01	ABCD	

4-25

REAR FINAL DRIVE

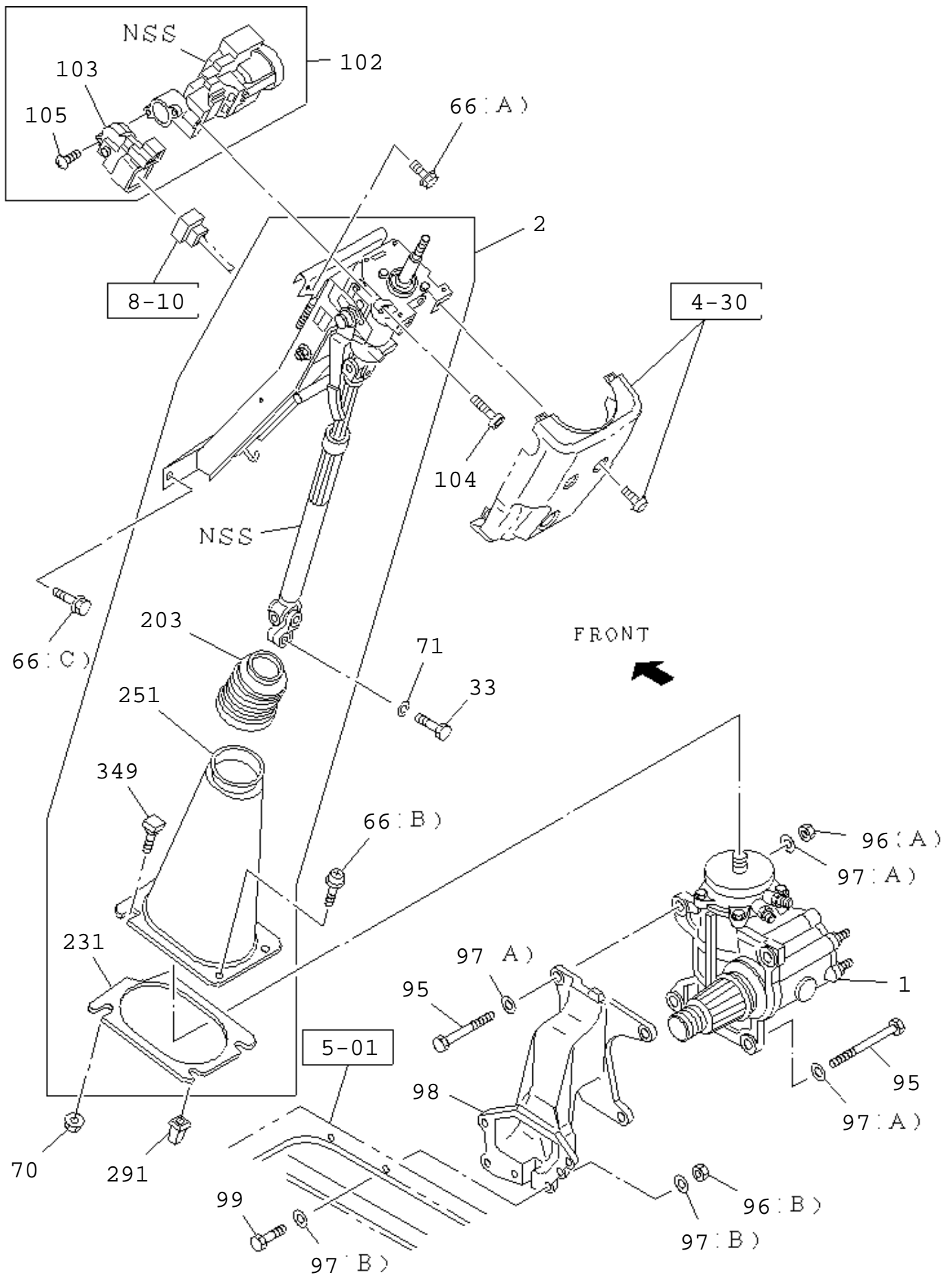
KEY	R / C	PART NAME PART NUMBER	I T C	APPLIED DATE	L / R	Qty	APPLIED MODEL	RESTRICTION/REMARKS
								A FINAL GEAR 45/7 17.5" (W3X) B FINAL GEAR 43/7 17.5" (W3Y) C FINAL GEAR 39/7 17.5" (W3Z) D FINAL GEAR 41/8 17.5" (W4A)
366		BOLT; PUMP 0-10805-840-0		1312-		04	ABCD	M8X40
367		STRAINER; OIL PUMP 1-41383-003-0		1312-		01	ABCD	
368		SPRING; STRAINER 1-09580-504-0		1312-		01	ABCD	
369		PLUG; STRAINER 1-09604-023-0		1312-		01	ABCD	M24X17 FLANGE
370		GASKET; STRAINER 1-09623-058-0		1312-		01	ABCD	ID=26.8
371		WASHER; LK,PUMP 0-91510-808-0		1312-		04	ABCD	ID=8.2
372		BALL; CASE 9-00097-517-0		1312-		01	ABCD	IDN
373		PLUG; CASE 1-09605-019-0		1312-		01	ABCD	PT1/4
374		PLUG; INPUT SHAFT 1-09609-020-1		1312-		01	ABCD	
375		BEARING; SIDE GEAR 1-09811-348-0		1312-		01	ABCD	KOYO
		1-09811-362-0		1312-		01	ABCD	NSK
376		SPACER; BRG,SIDE GEAR 1-41349-150-0		1312-		01	ABCD	
377		RING; SNAP,BRG,SIDE GEAR 1-09587-091-0		1312-		01	ABCD	
380		GASKET; PISTON 1-48269-064-0		1312-		01	ABCD	
381		ROD; SHIFT 1-48263-005-0		1312-		01	ABCD	
383		BOLT; SET,SHIFT UNIT 0-20801-045-0		1312-		01	ABCD	M10X45
384		NUT; LK,SHIFT UNIT 9-09111-410-0		1312-		01	ABCD	M10
471		CYLINDER ASM; SHIFT UNIT 1-48269-261-0		1312-		01	ABCD	
4-20		Move to 4-20						
3-55		Move to 3-55						



4-30

STEERING WHEEL AND COWL

KEY	R / C	PART NAME PART NUMBER	I T C	APPLIED DATE	Qty	APPLIED MODEL	RESTRICTION/REMARKS	
							A	B
1		WHEEL; STRG 8-97412-555-1		1312-1403	01	A	A FVZ WIDE CAB(FGZ5MV)	
		8-97412-555-1		1404-	01	AB	DARK GRAY	
5		NUT; STRG WHEEL TO SHAFT 0-91111-514-0		1312-1403	01	A	B GVZ WIDE CAB(GGZ5MV)	
		0-91111-514-0		1404-	01	AB	DARK GRAY	
6		SCREW; HORN SPR CONTACT 8-97167-588-0		1312-1403	04	A	M14	
		8-97167-588-0		1404-	04	AB	M14	
20		SHROUD; PAD,STRG WHEEL 8-97405-985-1		1312-1403	01	A	M4X12	
		8-97405-985-1		1404-	01	AB	M4X12	
26		COVER; STRG WHEEL,LWR 8-97409-275-2		1312-1403	01	A	DARK GRAY	
		8-97409-275-2		1404-	01	AB	DARK GRAY	
30		COWL; STEERING 8-97925-101-0		1312-1403	01	A	DARK GRAY	
		8-97925-101-0		1404-	01	AB	IDN	
33		COVER; STRG COWL 8-97409-495-0		1312-1403	01	A	IDN	
		8-97409-495-0		1404-	01	AB	DARK GRAY	
44		SCREW; STRG COWL 0-38050-512-0		1312-1403	03	A	DARK GRAY	
		0-38050-512-0		1404-	03	AB	M5X12	
81		EMBLEM; STRG WHEEL 8-97405-986-0		1312-1403	01	A	M5X12	
		8-97405-986-0		1404-	01	AB	DARK GRAY	
106		BOLT; TORX 8-98231-397-0		1312-1403	02	A	DARK GRAY	
4-31		8-98231-397-0		1404-	02	AB		
		Move to 4-31						



4-31

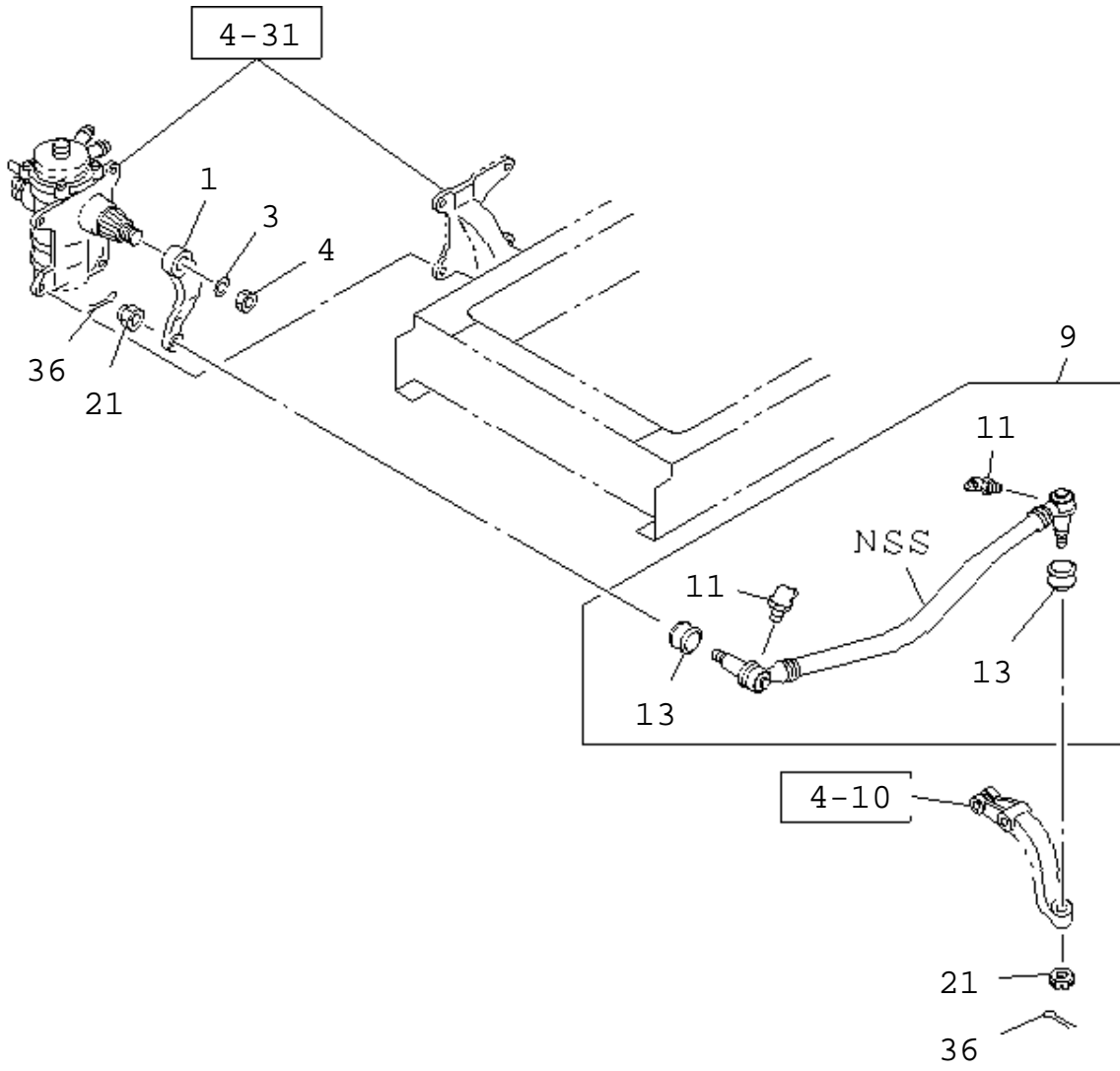
STEERING COLUMN AND SHAFT

KEY	R / C	PART NAME PART NUMBER	I T C	APPLIED DATE	Qty	APPLIED MODEL	RESTRICTION/REMARKS
							A FVZ WIDE CAB (FGZ5MV) B GVZ WIDE CAB (GGZ5MV)
1	D	STEERING UNIT 1-44000-953-1		1312-1403	01	A	SEE FIG-NO 4-40 FOR COMPONENT.
		1-44000-953-1		1404-	01	AB	IDN
2		SHAFT ASM; STRG 8-97415-618-2		1312-1403	01	A	IDN
		8-97415-618-2		1404-	01	AB	BLACK IDN
33		BOLT; STRG SHAFT TO UNIT 1-09009-126-1		1312-1403	01	A	BLACK IDN
		1-09009-126-1		1404-	01	AB	M10X35
66		BOLT; STRG COLUMN 0-28650-820-0		1312-1403	02	A	M10X35
		0-28650-820-0		1404-	02	AB	(A) M8X20 FLANGE IDN
		0-72180-518-0		1312-1403	02	A	(A) M8X20 FLANGE IDN
		0-72180-518-0		1404-	02	AB	(B) M5X18 TAPPING
		8-98018-439-0		1312-1403	02	A	(B) M5X18 TAPPING
		8-98018-439-0		1404-	02	AB	(C) M8X25 W/LK&PL WASHER
70		NUT; STRG COLUMN 1-09984-180-0		1312-1403	02	A	(C) M8X25 W/LK&PL WASHER
		1-09984-180-0		1404-	02	AB	M6 FLANGE W/RUBBER
71		WASHER; LK,SHAFT TO UNIT 0-91510-810-0		1312-1403	01	A	M6 FLANGE W/RUBBER
		0-91510-810-0		1404-	01	AB	ID=10.2 IDN
95		BOLT; STRG UNIT 1-09000-305-0		1312-1403	04	A	ID=10.2 IDN
		1-09000-305-0		1404-	04	AB	M16X66
96		NUT; STRG UNIT 0-91110-516-0		1312-1403	02	A	M16X66
		0-91110-516-0		1404-	02	AB	(A) M16
		1-09440-097-0		1312-1403	06	A	(A) M16
		1-09440-097-0		1404-	06	AB	(B) M14
97		WASHER; PL,STRG UNIT 1-09503-316-0		1312-1403	06	A	(B) M14
							(A) ID=16.2

4-31

STEERING COLUMN AND SHAFT

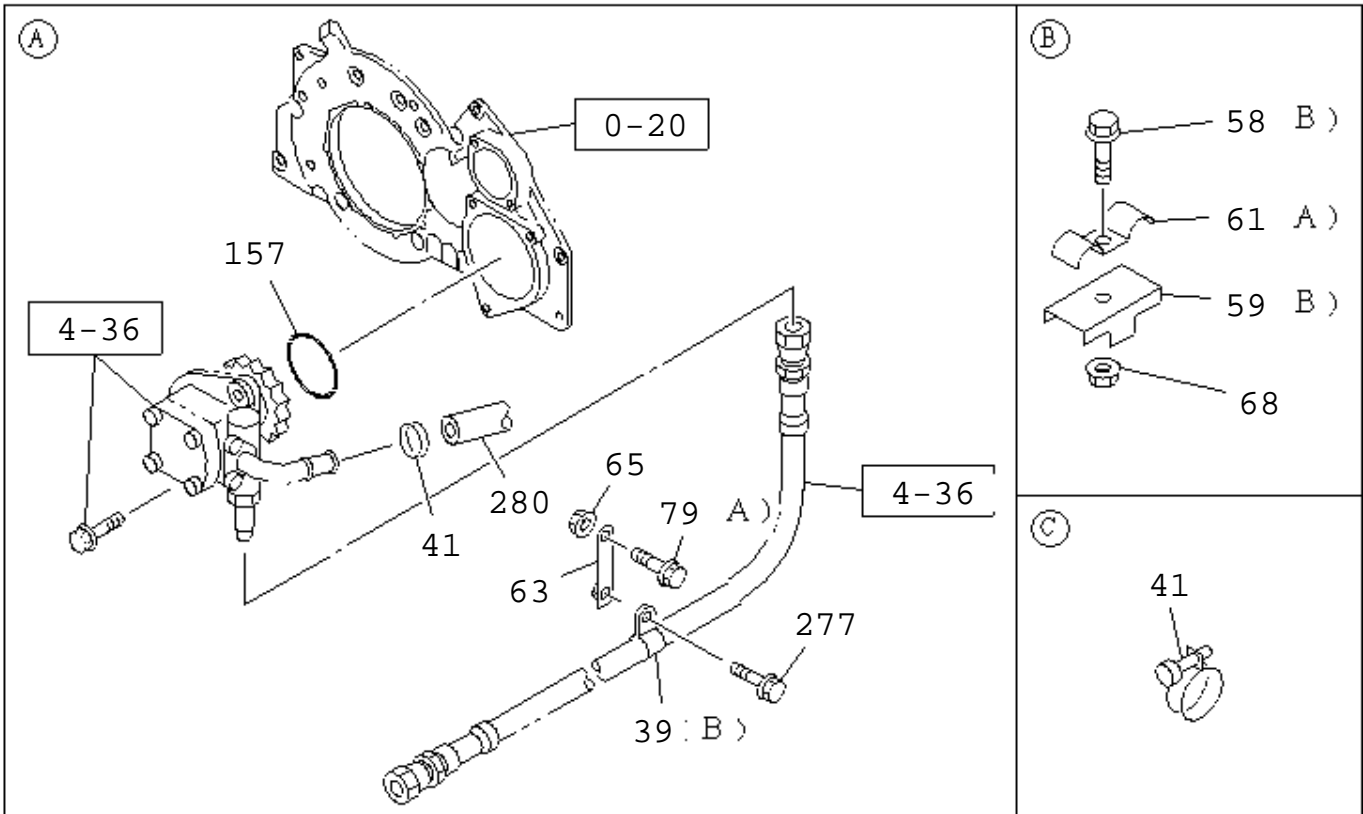
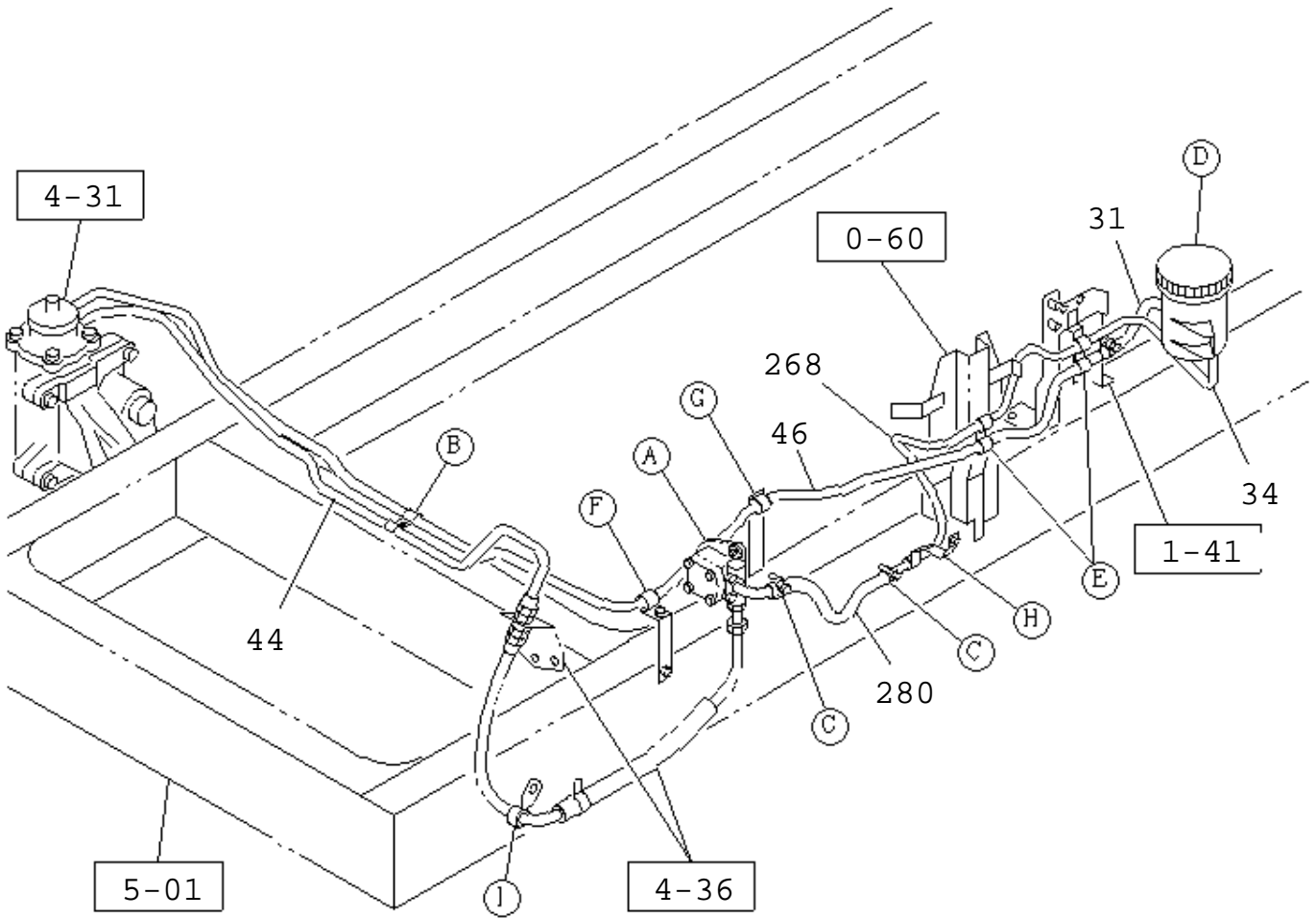
KEY	R / C	PART NAME PART NUMBER	I T C	APPLIED DATE	Qty	APPLIED MODEL	RESTRICTION/REMARKS	
							A	B
97		1-09503-316-0		1404-	06	AB	A	FVZ WIDE CAB(FGZ5MV)
		8-98010-627-1		1312-1403	12	A	B	GVZ WIDE CAB(GGZ5MV)
		8-98010-627-1		1404-	12	AB	(A)	ID=16.2
							(B)	ID=15
							(B)	ID=15
98		BRACKET; STRG GEAR BOX						
		1-44226-136-1		1312-1403	01	A		
		1-44226-136-1		1404-	01	AB		
99		BOLT; BRKT TO FRAME						
		1-09000-787-0		1312-1403	06	A		
		1-09000-787-0		1404-	06	AB		M14X50
								M14X50
102		LOCK ASM; STRG						
		8-97948-271-0		1312-1403	01	A		
		8-97948-271-0		1404-	01	AB		IDN
								IDN
103		SWITCH; IGNITION						
		8-98045-349-0		1312-1403	01	A		
		8-98045-349-0		1404-	01	AB		
104		BOLT; STRG LOCK TO COLUMN						
		8-97321-385-0		1312-1403	02	A		
		8-97321-385-0		1404-	02	AB		M8X20 TORQUE SHEAR BOLT
								M8X20 TORQUE SHEAR BOLT
105		SCREW; IGN SW						
		8-98045-346-0		1312-1403	02	A		
		8-98045-346-0		1404-	02	AB		
203		BOOT; STRG COLUMN LWR						
		8-98137-333-0		1312-1403	01	A		
		8-98137-333-0		1404-	01	AB		IDN
								IDN
231		SEAL; RUBBER, STRG COLUMN						
		8-98137-330-0		1312-1403	01	A		
		8-98137-330-0		1404-	01	AB		IDN
								IDN
251		COVER; LWR						
		8-97417-050-0		1312-1403	01	A		
		8-97417-050-0		1404-	01	AB		BLACK IDN
								BLACK IDN
291		GROMMET; STRG SHAFT COVER						
		8-94279-043-0		1312-1403	02	A		
		8-94279-043-0		1404-	02	AB		D=7.8X7.8 L=18 NATURAL IDN
								D=7.8X7.8 L=18 NATURAL IDN
349		BOLT; COVER						
		8-98137-334-0		1312-1403	02	A		
		8-98137-334-0		1404-	02	AB		IDN
								IDN
4-30		Move to 4-30						
5-01		Move to 5-01						
8-10		Move to 8-10						

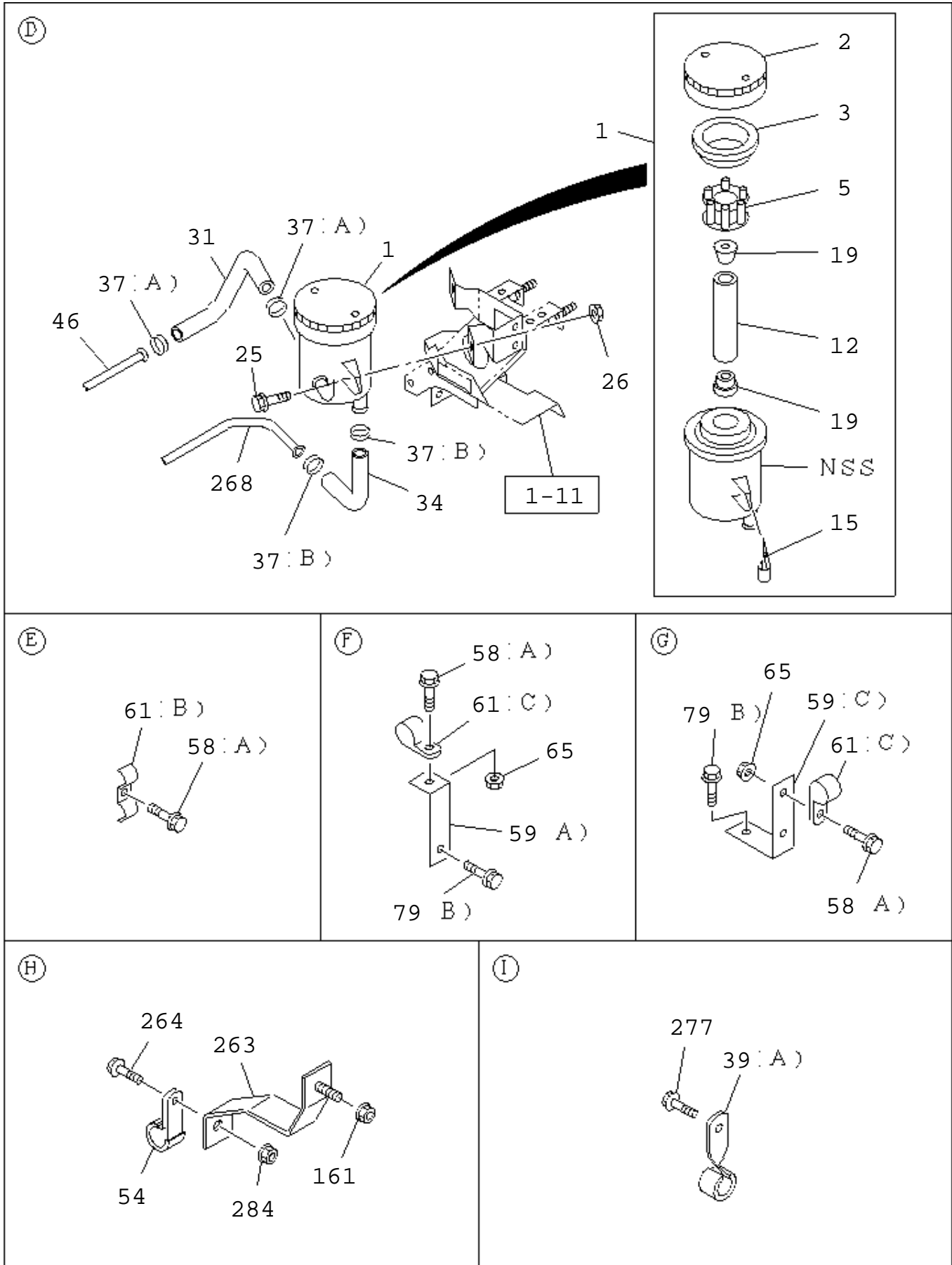


4-33

STEERING LINKAGE

KEY	R / C	PART NAME PART NUMBER	I T C	APPLIED DATE	Qty	APPLIED MODEL	RESTRICTION/REMARKS	
							A FVZ WIDE CAB(FGZ5MV)	B GVZ WIDE CAB(GGZ5MV)
1		ARM; PITMAN, STRG 1-44341-423-1		1312-1403	01	A		
		1-44341-423-1		1404-	01	AB		
3		WASHER; LK, PITMAN ARM 1-09500-056-0		1312-1403	01	A		
		1-09500-056-0		1404-	01	AB		
4		NUT; PITMAN ARM 1-09440-098-0		1312-1403	01	A		
		1-09440-098-0		1404-	01	AB	M36 FLANGE	
9		LINK; DRAG 8-98181-399-0		1312-1403	01	A		
		8-98181-399-0		1404-	01	AB		
11		NIPPLE; GREASE, DRAG LINK 8-98160-122-0		1312-1403	02	A		
		8-98160-122-0		1404-	02	AB		
13		BOOT; DRAG LINK 1-43159-131-0		1312-1403	02	A		
		1-43159-131-0		1404-	02	AB		
21		NUT; LK, JOINT BALL 1-09442-032-0		1312-1403	02	A		
		1-09442-032-0		1404-	02	AB	M24	
36		PIN; SPLIT, DRAG LINK 0-81125-035-0		1312-1403	02	A		
		0-81125-035-0		1404-	02	AB	M24	
4-10		Move to 4-10					OD=4.6 L=35	
4-31		Move to 4-31					OD=4.6 L=35	



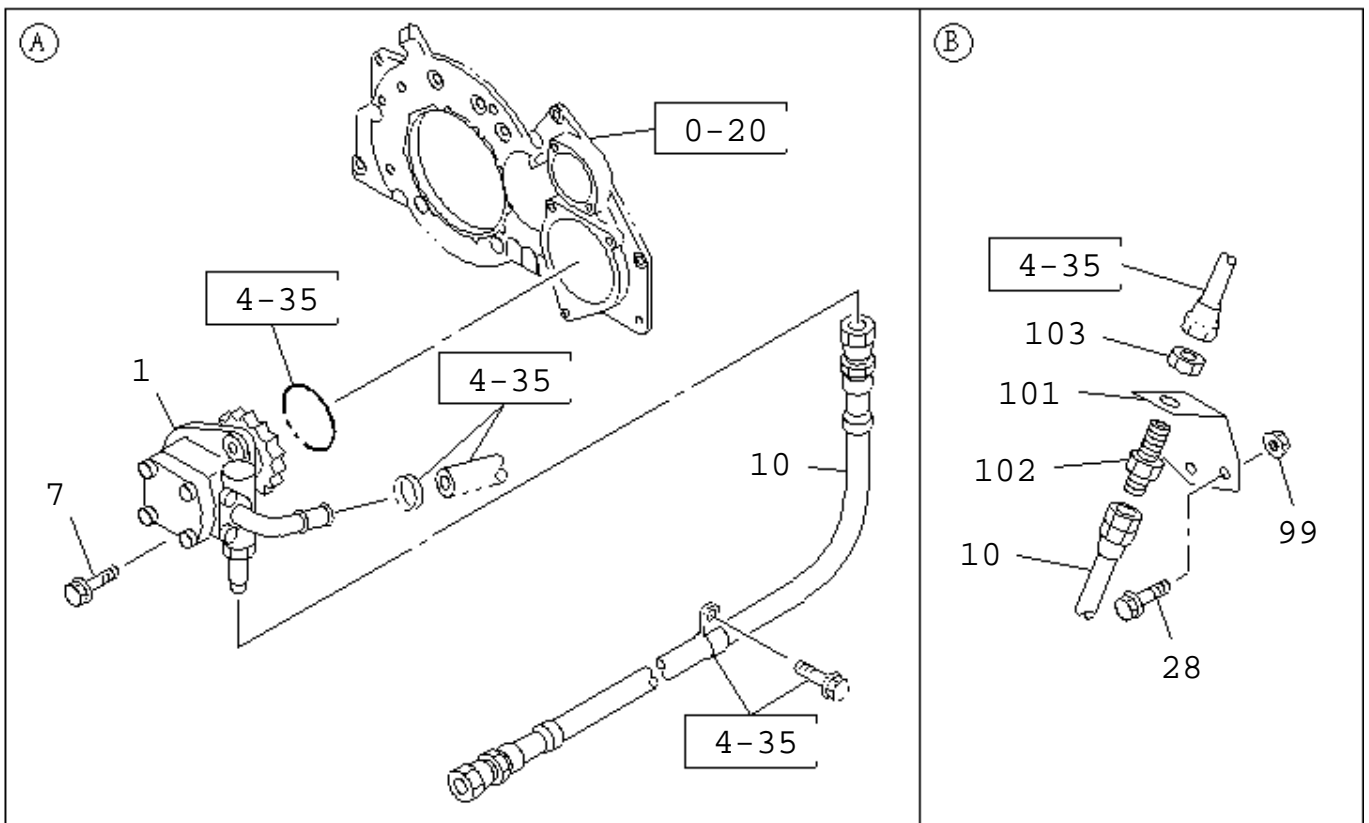
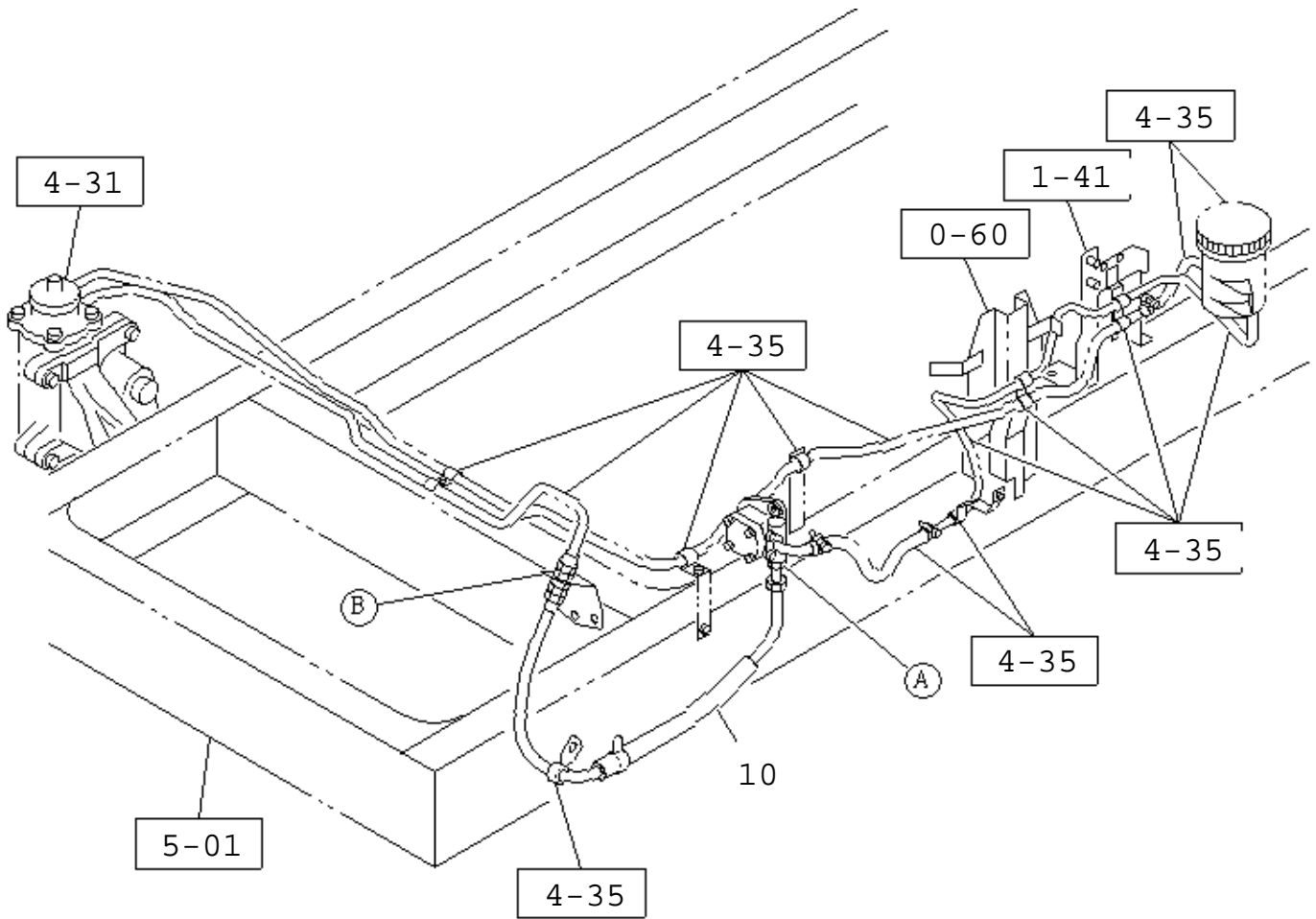


KEY	R / C	PART NAME PART NUMBER	I T C	APPLIED DATE	Qty	APPLIED MODEL	RESTRICTION/REMARKS	
							A	B
1		TANK ASM; OIL,P/S 8-98166-928-0		1312-1403	01	A		A FVZ WIDE CAB (FGZ5MV)
		8-98166-928-0		1404-	01	AB	IDN	B GVZ WIDE CAB (GGZ5MV)
2		CAP; OIL TANK,P/S 8-98166-876-0		1312-1403	01	A	IDN	
		8-98166-876-0		1404-	01	AB	IDN	
3		GASKET; OIL TANK,P/S 1-21249-003-1		1312-1403	01	A	IDN	
		1-21249-003-1		1404-	01	AB	IDN	
5		STRAINER; OIL TANK,P/S 1-21235-007-1		1312-1403	01	A	IDN	
		1-21235-007-1		1404-	01	AB	IDN	
12		FILTER; MICROBON,OIL TANK,P/S 1-21235-011-0		1312-1403	01	A	IDN	
		1-21235-011-0		1404-	01	AB	IDN	
15		PLATE; FILTER,OIL TANK 1-21249-016-0		1312-1403	02	A	IDN	
		1-21249-016-0		1404-	02	AB	IDN	
19		SEAT; OIL TANK 1-21249-004-0		1312-1403	02	A	IDN	
		1-21249-004-0		1404-	02	AB	IDN	
25		BOLT; OIL TANK BRKT 0-28650-825-0		1312-1403	02	A	M8X25 FLANGE IDN	
		0-28650-825-0		1404-	02	AB	M8X25 FLANGE IDN	
26		NUT; OIL TANK TO BRKT 0-91180-108-0		1312-1403	02	A	M8 FLANGE	
		0-91180-108-0		1404-	02	AB	M8 FLANGE	
31		HOSE; P/S OIL TANK, INL 8-98092-730-0		1312-1403	01	A	IDN	
		8-98092-730-0		1404-	01	AB	IDN	
34		HOSE; P/S OIL TANK, OUTLET 8-98021-827-0		1312-1403	01	A	IDN	
		8-98021-827-0		1404-	01	AB	IDN	
37		CLIP; HOSE,P/S 1-09704-082-0		1312-1403	02	A	(A) ID=26	
		1-09704-082-0		1404-	02	AB	(A) ID=26	
		1-09704-085-0		1312-1403	02	A	(B) ID=32	
		1-09704-085-0		1404-	02	AB	(B) ID=32	
39		CLIP; FLEX HOSE 1-09700-733-1		1312-1403	01	A	(A) ID=19 L=58	

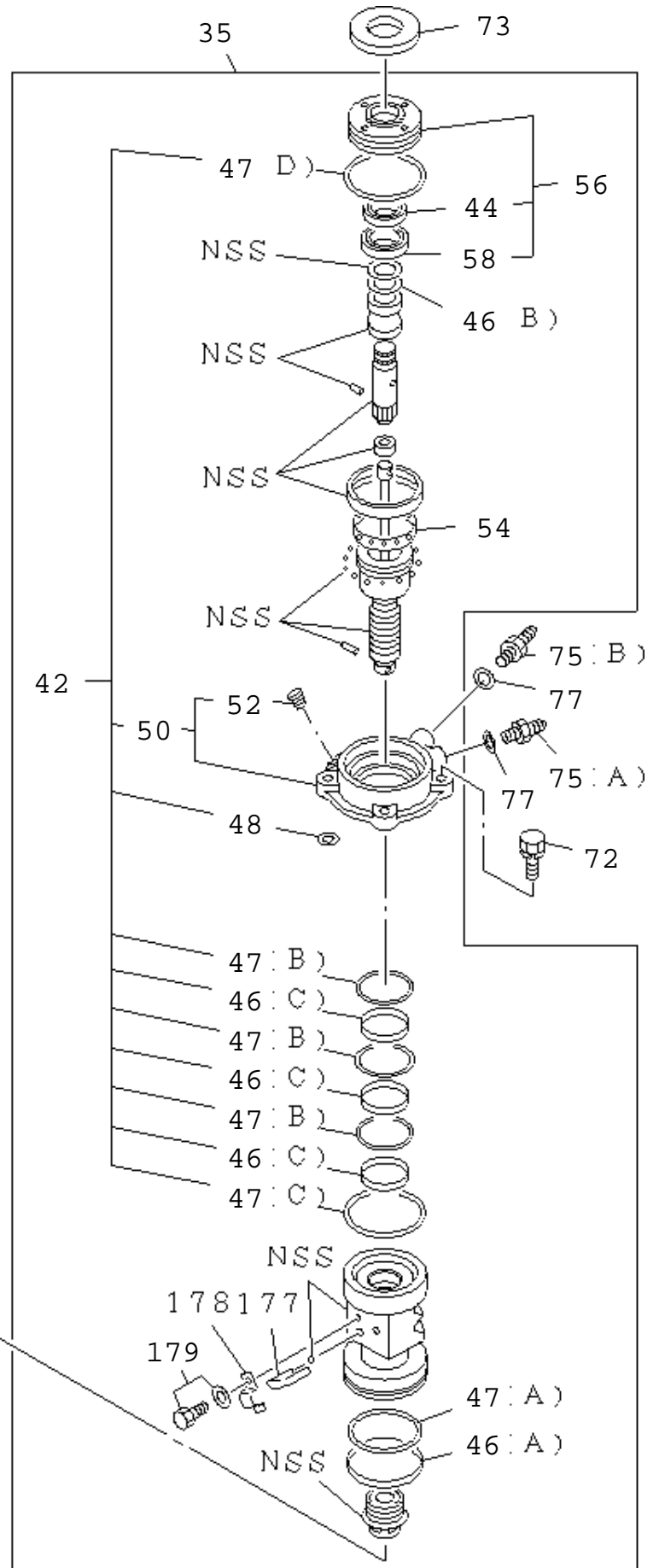
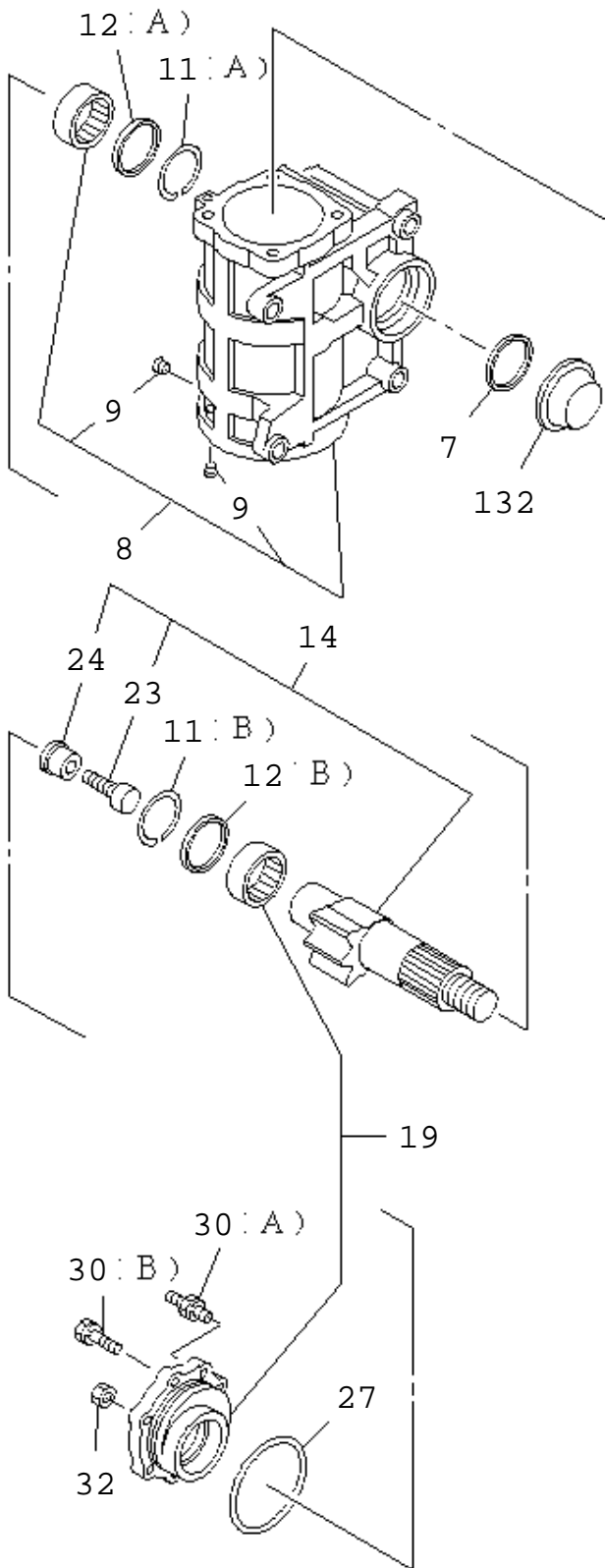
KEY	R / C	PART NAME PART NUMBER	I T C	APPLIED DATE	Qty	APPLIED MODEL	RESTRICTION/REMARKS	
							A FVZ WIDE CAB (FGZ5MV)	B GVZ WIDE CAB (GGZ5MV)
39		1-09700-733-1		1404-	01	AB	(A) ID=19 L=58	
		8-94226-553-0		1312-1403	01	A	(B) ID=40	
		8-94226-553-0		1404-	01	AB	(B) ID=40	
41		CLIP; HOSE, P/S 1-09704-085-0		1312-1403	02	A	ID=32	
		1-09704-085-0		1404-	02	AB	ID=32	
44		PIPE; OIL, P/S UNIT TO NIPPLE 8-98075-632-1		1312-1403	01	A	IDN	
		8-98075-632-1		1404-	01	AB	IDN	
46		PIPE; OIL, P/S UNIT TO OIL TANK 8-98092-721-0		1312-1403	01	A	L=2775	
		8-98092-721-0		1404-	01	AB	L=2775	
54		CLIP; OIL PIPE 0-95235-836-0		1312-1403	01	A	ID=19 L=20	
		0-95235-836-0		1404-	01	AB	ID=19 L=20	
58		BOLT; CLIP 0-28050-816-0		1312-1403	02	A	(A) M8X16 FLANGE	
		0-28050-816-0		1404-	02	AB	(A) M8X16 FLANGE	
		0-28650-820-0		1312-1403	02	A	(A) M8X20 FLANGE IDN	
		0-28650-820-0		1404-	02	AB	(A) M8X20 FLANGE IDN	
		0-28650-840-0		1312-1403	01	A	(B) M8X40 FLANGE	
		0-28650-840-0		1404-	01	AB	(B) M8X40 FLANGE	
59		BRACKET; CLIP, OIL PIPE 1-47475-427-1		1312-1403	01	A	(B)	
		1-47475-427-1		1404-	01	AB	(B)	
		1-82699-085-0		1312-1403	01	A	(A) L=95	
		1-82699-085-0		1404-	01	AB	(A) L=95	
		8-98083-607-0		1312-1403	01	A	(C)	
		8-98083-607-0		1404-	01	AB	(C)	
61		CLIP; OIL PIPE 0-95235-536-0		1312-1403	02	A	(C) ID=16 L=20	
		0-95235-536-0		1404-	02	AB	(C) ID=16 L=20	

KEY	R / C	PART NAME PART NUMBER	I T C	APPLIED DATE	Qty	APPLIED MODEL	RESTRICTION/REMARKS
							A FVZ WIDE CAB(FGZ5MV) B GVZ WIDE CAB(GGZ5MV)
61		1-09700-668-0		1312-1403	01	A	(A) ID=16 & 13 L=21.5 & 21.5
		1-09700-668-0		1404-	01	AB	(A) ID=16 & 13 L=21.5 & 21.5
		1-09700-806-1		1312-1403	02	A	(B) ID=19 & 16 L=25 & 20
		1-09700-806-1		1404-	02	AB	(B) ID=19 & 16 L=25 & 20
63		BRACKET; CLIP,P/S 1-47476-396-1		1312-1403	01	A	
		1-47476-396-1		1404-	01	AB	
65		NUT; BRKT 0-91180-108-0		1312-1403	03	A	M8 FLANGE
		0-91180-108-0		1404-	03	AB	M8 FLANGE
68		NUT; CLIP,OIL PIPE 0-91180-108-0		1312-1403	01	A	M8 FLANGE
		0-91180-108-0		1404-	01	AB	M8 FLANGE
79		BOLT; BRKT 0-28650-820-0		1312-1403	01	A	(A) M8X20 FLANGE IDN
		0-28650-820-0		1404-	01	AB	(A) M8X20 FLANGE IDN
		0-28650-825-0		1312-1403	01	A	(B) M8X25 FLANGE IDN
		0-28650-825-0		1404-	01	AB	(B) M8X25 FLANGE IDN
		0-28650-830-0		1312-1403	01	A	(B) M8X30 FLANGE
		0-28650-830-0		1404-	01	AB	(B) M8X30 FLANGE
157		GASKET; P/S PUMP 1-09623-467-0		1312-1403	01	A	ALSO INCLUDED IN GASKET SET(ENGINE). ID=96.4
		1-09623-467-0		1404-	01	AB	ID=96.4
161		NUT; P/S PIPE 0-91180-108-0		1312-1403	01	A	M8 FLANGE
		0-91180-108-0		1404-	01	AB	M8 FLANGE
263		BRACKET; P/S PIPE 8-98096-820-1		1312-1403	01	A	
		8-98096-820-1		1404-	01	AB	
264		BOLT; PIPE BRKT 0-28650-820-0		1312-1403	01	A	M8X20 FLANGE IDN
		0-28650-820-0		1404-	01	AB	M8X20 FLANGE IDN
268		PIPE; OIL,FLEX HOSE TO FLEX HOSE 8-98154-047-0		1312-1403	01	A	
		8-98154-047-0		1404-	01	AB	
277		BOLT; HOSE CLIP 0-28050-816-0		1312-1403	02	A	M8X16 FLANGE

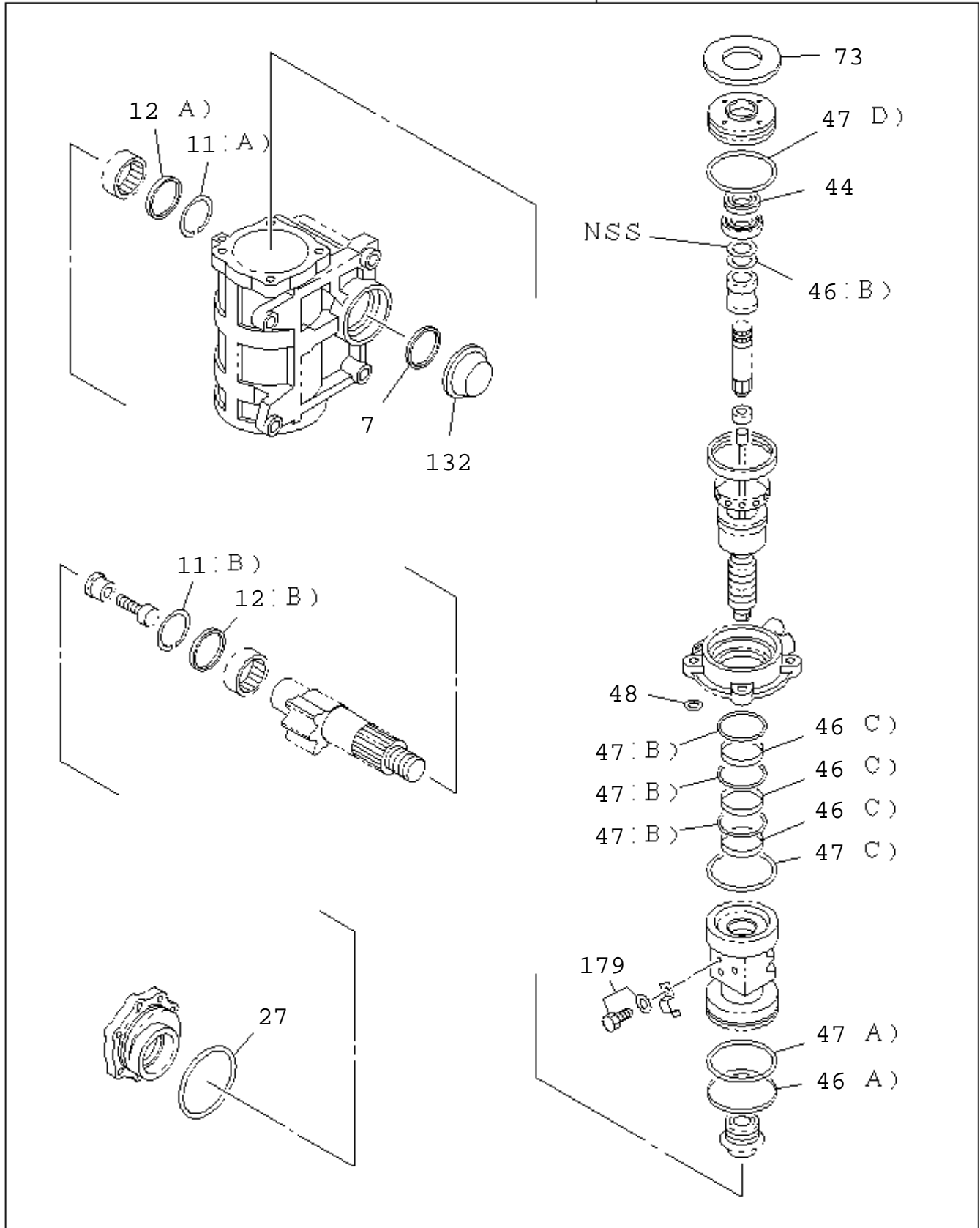
KEY	R / C	PART NAME PART NUMBER	I T C	APPLIED DATE	Qty	APPLIED MODEL	RESTRICTION/REMARKS
							A FVZ WIDE CAB (FGZ5MV) B GVZ WIDE CAB (GGZ5MV)
277		0-28050-816-0		1404-	02	AB	M8X16 FLANGE
280		HOSE; P/S OIL PUMP, INL 8-98090-818-0		1312-1403	01	A	IDN
		8-98090-818-0		1404-	01	AB	IDN
284		NUT; PIPE 0-91180-108-0		1312-1403	01	A	M8 FLANGE
		0-91180-108-0		1404-	01	AB	M8 FLANGE
0-20		Move to 0-20					
0-60		Move to 0-60					
1-41		Move to 1-41					
4-31		Move to 4-31					
4-36		Move to 4-36					
5-01		Move to 5-01					
1-11		Move to 1-11					



KEY	R / C	PART NAME PART NUMBER	I T C	APPLIED DATE	Qty	APPLIED MODEL	RESTRICTION/REMARKS
							A FVZ WIDE CAB (FGZ5MV) B GVZ WIDE CAB (GGZ5MV) SEE FIG-NO 4-42 FOR COMPONENT.
1	D	PUMP ASM; OIL, P/S 1-19500-629-1 1-19500-629-1		1312-1403 1404-	01 01	A AB	
7		BOLT; OIL PUMP, P/S 8-97365-449-0 8-97365-449-0		1312-1403 1404-	02 02	A AB	M10X55 FLANGE M10X55 FLANGE
10		HOSE; FLEX, P/S OIL PUMP, INL 8-98060-231-2 8-98060-231-2		1312-1403 1404-	01 01	A AB	
28		BOLT; BRKT, FLEX HOSE, P/S 0-28650-820-0 0-28650-820-0		1312-1403 1404-	02 02	A AB	M8X20 FLANGE IDN M8X20 FLANGE IDN
99		NUT; BRKT, FLEX HOSE, P/S 0-91180-108-0 0-91180-108-0		1312-1403 1404-	02 02	A AB	M8 FLANGE M8 FLANGE
101		BRACKET; UNION 8-98052-888-1 8-98052-888-1		1312-1403 1404-	01 01	A AB	
102		UNION 1-09654-167-1 1-09654-167-1		1312-1403 1404-	01 01	A AB	M20 & M22 STRAIGHT M20 & M22 STRAIGHT
103		NUT; UNION 0-91111-522-0 0-91111-522-0		1312-1403 1404-	01 01	A AB	M22 M22
0-20		Move to 0-20					
0-60		Move to 0-60					
1-41		Move to 1-41					
4-31		Move to 4-31					
4-35		Move to 4-35					
5-01		Move to 5-01					



2



STEERING UNIT

KEY	R / C	PART NAME PART NUMBER	I T C	APPLIED DATE	Qty for ASM A	RESTRICTION/REMARKS
						A 1440009531
2	B	REPAIR KIT; STRG UNIT, 2 YEAR 8-98095-830-0 8-98095-830-0			01 01	2 YEAR IDN 2 YEAR IDN
7		SEAL; SECTOR SHAFT, STRG UNIT 8-98159-116-0 8-98159-116-0			01 01	IDN IDN
8		BOX ASM; STRG UNIT 8-98159-752-0 8-98159-752-0			01 01	IDN IDN
9		PLUG; FILLER, STRG UNIT 1-44519-071-0 1-44519-071-0			02 02	IDN IDN
11		RING; BACKUP, STRG UNIT 1-44249-075-0 1-44249-075-0 1-44519-103-0 1-44519-103-0			01 01 01 01	(A) IDN (A) IDN (B) IDN (B) IDN
12		GASKET; SHAFT, STRG UNIT 1-44249-076-0 1-44249-076-0 1-44519-226-0 1-44519-226-0			01 01 01 01	(A) IDN (A) IDN (B) IDN (B) IDN
14		SHAFT; SECTOR, STRG UNIT 1-44320-003-0 1-44320-003-0			01 01	IDN IDN
19		COVER; SIDE STRG UNIT 8-98159-763-0 8-98159-763-0			01 01	IDN IDN
23		SCREW; ADJ, SECTOR SHAFT, STRG UNIT 1-44277-003-1 1-44277-003-1			01 01	IDN IDN
24		RETAINER; STRG UNIT 1-44279-011-0 1-44279-011-0			01 01	IDN IDN
27		GASKET; SIDE COVER, STRG UNIT 1-44269-035-0 1-44269-035-0			01 01	IDN IDN
30		BOLT; COVER STRG UNIT 1-19519-121-0 1-19519-121-0 1-44279-012-0 1-44279-012-0			03 03 05 05	(A) IDN (A) IDN (B) IDN (B) IDN
32		NUT; ADJ SCREW, STRG UNIT 1-44269-037-0 1-44269-037-0			01 01	IDN IDN
35		HOUSING & SCREW ASM; STRG UNIT 8-98095-563-0 8-98095-563-0			01 01	IDN IDN
42		HOUSING & SEAL ASM; STRG UNIT 1-44560-073-0 1-44560-073-0			01 01	IDN IDN
44		SEAL; OIL, SHAFT STRG UNIT 1-44259-036-1 1-44259-036-1			01 01	IDN IDN
46		SEAL; RING, HSG STRG UNIT 1-44159-037-0 1-44159-037-0			01 01	(A) IDN (A) IDN

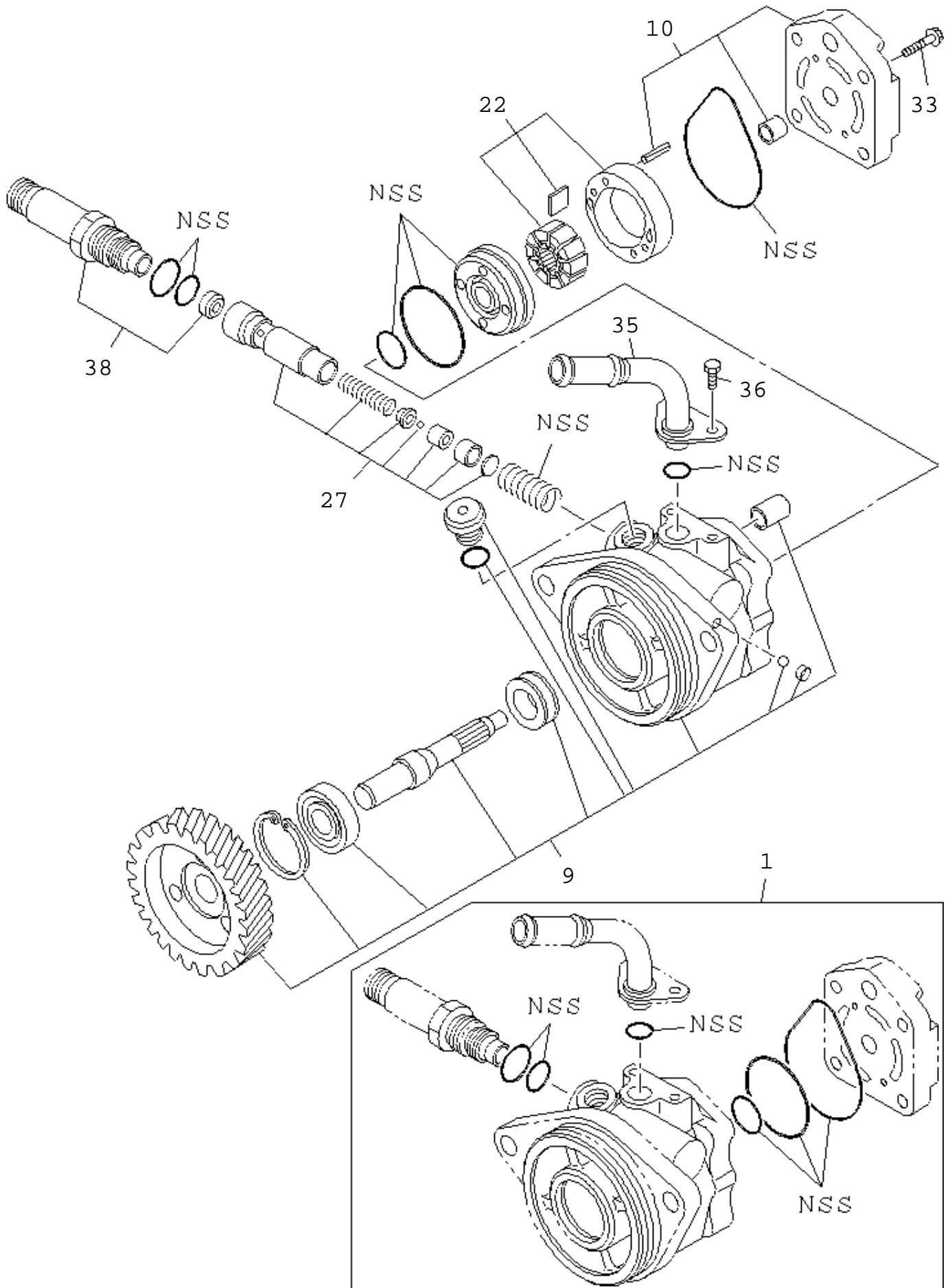
STEERING UNIT

KEY	R / C	PART NAME PART NUMBER	I T C	APPLIED DATE	Qty for ASM A	RESTRICTION/REMARKS
						A 1440009531
46		1-44519-096-0			01	(B) IDN
		1-44519-096-0			01	(B) IDN
		1-44519-255-0			03	(C) IDN
		1-44519-255-0			03	(C) IDN
47		GASKET; HSG,STRG UNIT 1-44159-036-0			01	(A) IDN
		1-44159-036-0			01	(A) IDN
		1-44519-101-0			03	(B) IDN
		1-44519-101-0			03	(B) IDN
		1-44519-116-0			01	(C) IDN
		1-44519-116-0			01	(C) IDN
		1-44519-260-0			01	(D) IDN
		1-44519-260-0			01	(D) IDN
48		GASKET; HSG,STRG UNIT 1-44519-262-0			01	IDN
		1-44519-262-0			01	IDN
50		HOUSING ASM; VALVE STRG UNIT 1-44560-072-0			01	IDN
		1-44560-072-0			01	IDN
52		PLUG; HSG STRG UNIT 1-44519-071-0			01	IDN
		1-44519-071-0			01	IDN
54		CASE; BEARING STRG UNIT 1-44241-088-0			01	IDN
		1-44241-088-0			01	IDN
56		PLUG & SEAL ASM; STRG UNIT 1-44250-006-1			01	IDN
		1-44250-006-1			01	IDN
58		BEARING; HSG STRG UNIT 1-44259-029-0			01	IDN
		1-44259-029-0			01	IDN
72		BOLT; HSG FIX STRG UNIT 1-44259-017-0			04	IDN
		1-44259-017-0			04	IDN
73		COVER; DUST,STRG UNIT 8-98074-089-0			01	IDN
		8-98074-089-0			01	IDN
75		CONNECTOR; HSG STRG UNIT 1-44259-034-1			01	(A) M20X1.5 IDN
		1-44259-034-1			01	(A) M20X1.5 IDN
		1-44259-035-1			01	(B) M22X1.5 IDN
		1-44259-035-1			01	(B) M22X1.5 IDN
77		GASKET; CONNECTOR,STRG UNIT 9-89970-787-0			02	IDN
		9-89970-787-0			02	IDN
132		COVER; DUST,STRG UNIT 1-44519-227-0			01	IDN
		1-44519-227-0			01	IDN
177		TUBE; BALL BRG STRG UNIT 1-44159-032-0			02	IDN
		1-44159-032-0			02	IDN
178		CLIP; BALL TUBE STRG UNIT 1-44159-034-0			01	IDN
		1-44159-034-0			01	IDN

4-40

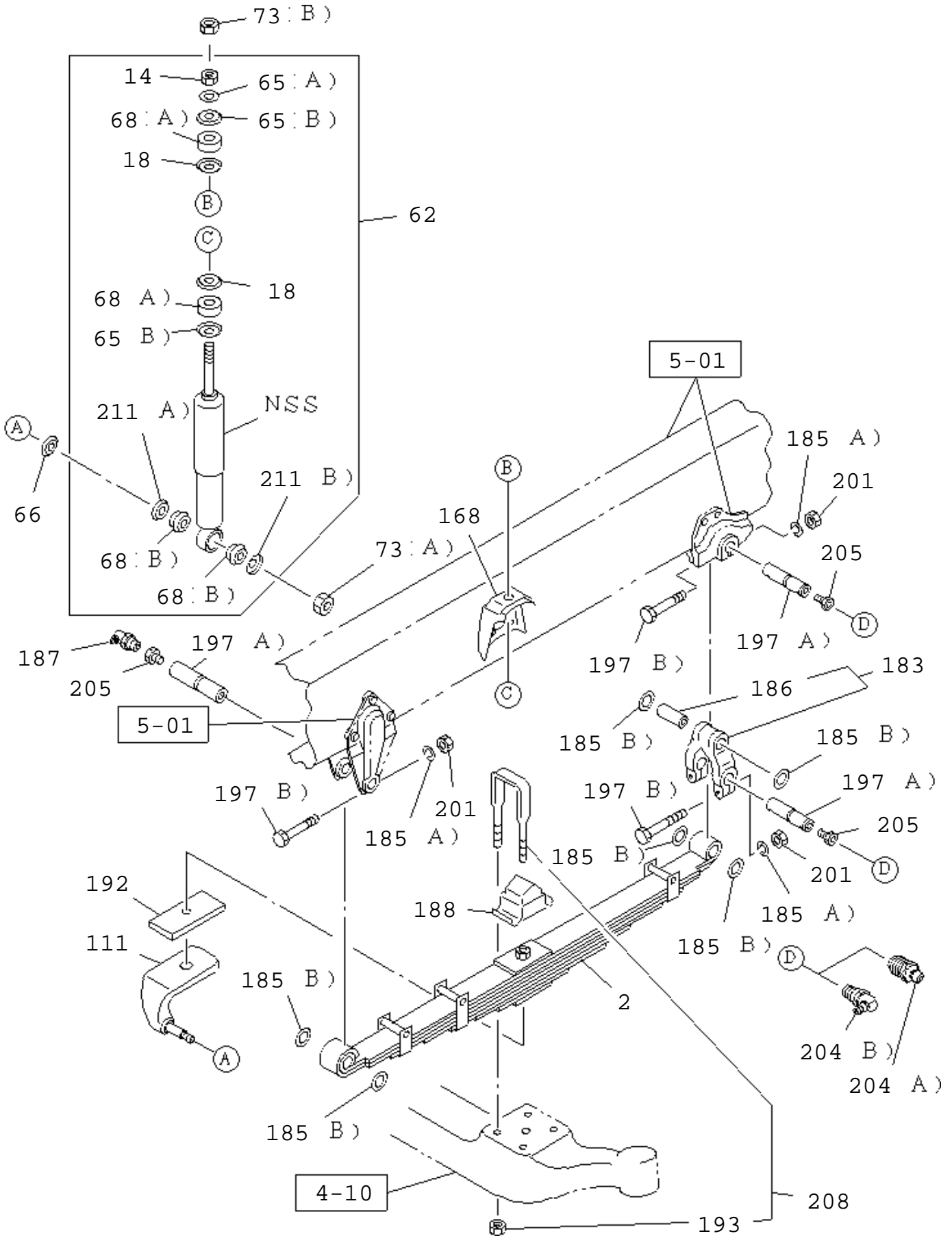
STEERING UNIT

KEY	R / C	PART NAME PART NUMBER	I T C	APPLIED DATE	Qty for ASM A	RESTRICTION/REMARKS
						A 1440009531
179		SCREW; CLIP STRG UNIT 1-09000-610-0 1-09000-610-0			02 02	IDN IDN



POWER STEERING OIL PUMP

KEY	R / C	PART NAME PART NUMBER	I T C	APPLIED DATE	Qty for ASM A	RESTRICTION/REMARKS
						A 1195006291
1	B	REPAIR KIT; OIL PUMP 8-98077-484-0			01	
		8-98077-484-0			01	
9		BODY ASM; FRT,OIL PUMP 8-98077-485-0			01	
		8-98077-485-0			01	
10		BODY ASM; RR,OIL PUMP 8-98077-477-0			01	
		8-98077-477-0			01	
22		CARTRIDGE ASM; OIL PUMP 8-98077-476-0			01	
		8-98077-476-0			01	
27		VALVE ASM; OIL PUMP 8-98077-479-0			01	
		8-98077-479-0			01	
33		BOLT; COVER 8-98077-478-0			04	
		8-98077-478-0			04	
35		PIPE; HOSE CONN,OIL PUMP 8-98077-482-0			01	
		8-98077-482-0			01	
36		BOLT; CONN,PIPE 8-97184-763-0			02	
		8-97184-763-0			02	
38		CONNECTOR; OIL PUMP 8-98077-481-0			01	
		8-98077-481-0			01	



4-50

FRONT SUSPENSION

KEY	R / C	PART NAME PART NUMBER	I T C	APPLIED DATE	L / R	Qt-y	APPLIED MODEL	RESTRICTION/REMARKS
								A FVZ WIDE CAB(FGZ5MV) B GVZ WIDE CAB(GGZ5MV)
2		SPRING ASM; LEAF, FRT 8-98029-096-0		1405-		02	A	SEE FIG-NO 4-55 FOR COMPONENT. MIXER CHASSIS<6NR> 7-LEAF IDN
		8-98029-096-0		1405-		02	B	7-LEAF IDN
		8-98167-308-0		1312-1403		02	A	IDN
		8-98167-308-0		1404-1404		02	AB	IDN
		8-98167-308-0		1405-		02	A	EXC. MIXER CHASSIS<6NR> 7-LEAF IDN
14		NUT; S/ABS, UPR 9-99111-414-0		1312-1403		02	A	M14
		9-99111-414-0		1404-		02	AB	M14
18		WASHER; CENTERING, S/ABS 9-51631-041-0		1405-		04	A	MIXER CHASSIS<6NR> ID=20.8 IDN
		9-51631-041-0		1405-		04	B	ID=20.8 IDN
		1-51631-067-0		1312-1403		04	A	ID=24
		1-51631-067-0		1404-1404		04	AB	ID=24
		1-51631-067-0		1405-		04	A	EXC. MIXER CHASSIS<6NR> ID=24
62	B	ABSORBER ASM; SHOCK, FRT 1-51630-579-0		1405-		02	A	MIXER CHASSIS<6NR> IDN
		1-51630-579-0		1405-		02	B	IDN
		1-51630-512-0		1312-1403		02	A	IDN
		1-51630-512-0		1404-1404		02	AB	IDN
		1-51630-512-0		1405-		02	A	EXC. MIXER CHASSIS<6NR> IDN
65		WASHER; S/ABS 9-51631-040-0		1405-		04	A	MIXER CHASSIS<6NR> (A) ID=16.5 IDN
		9-51631-040-0		1405-		04	B	(A) ID=16.5 IDN
		1-09503-266-0		1312-1403		02	A	(A) ID=16.5
		1-09503-266-0		1404-1404		02	AB	(A) ID=16.5
		1-09503-266-0		1405-		02	A	EXC. MIXER CHASSIS<6NR> (A) ID=16.5
		1-51631-068-0		1312-1403		04	A	(B) ID=16.5
		1-51631-068-0		1404-1404		04	AB	(B) ID=16.5
		1-51631-068-0		1405-		04	A	EXC. MIXER CHASSIS<6NR> (B) ID=16.5
66		WASHER; LK, S/ABS SETTING 0-91610-520-0		1312-1403		02	A	ID=21

4-50

FRONT SUSPENSION

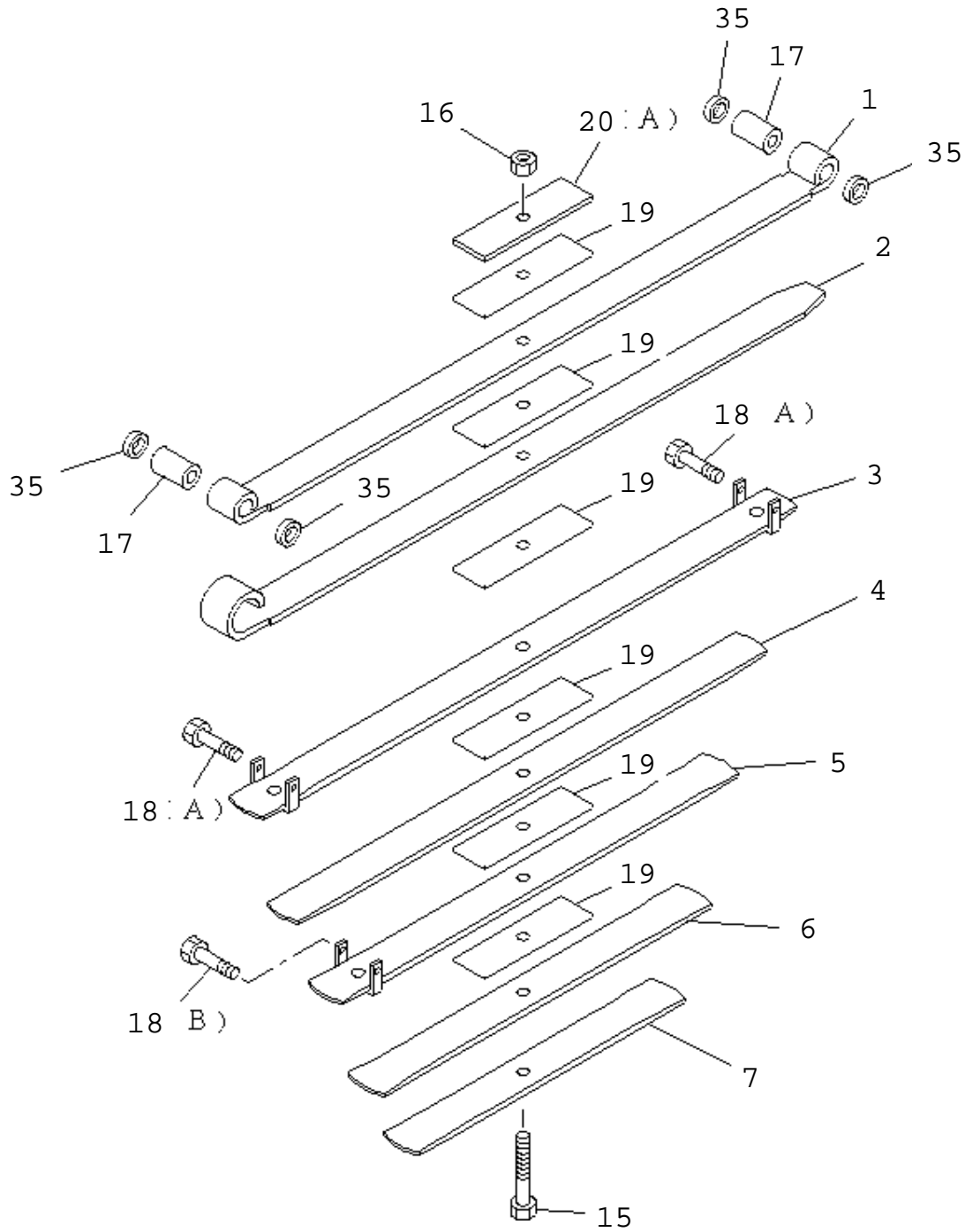
KEY	R / C	PART NAME PART NUMBER	I T C	APPLIED DATE	L / R	Qt-y	APPLIED MODEL	RESTRICTION/REMARKS	
								A	B
66		0-91610-520-0		1404-		02	AB	A	FVZ WIDE CAB(FGZ5MV)
68		BUSHING; S/ABS 9-51631-039-0		1405-		04	A	B	GVZ WIDE CAB(GGZ5MV)
		9-51631-039-0		1405-		04	B		ID=21
		1-51631-069-0		1312-1403		04	A		MIXER CHASSIS<6NR> (A) IDN
		1-51631-069-0		1404-1404		04	AB		(A) IDN
		1-51631-069-0		1405-		04	A		(A) ID=16 T=25
		9-51631-026-0		1312-1403		04	A		(A) ID=16 T=25
		9-51631-026-0		1404-		04	AB		EXC. MIXER CHASSIS<6NR> (A) ID=16 T=25
73		NUT; BRKT,SHOCK 0-91110-520-0		1312-1403		02	A		(B)
		0-91110-520-0		1404-		02	AB		(B)
		0-91111-514-0		1312-1403		02	A		(A) M20
		0-91111-514-0		1404-		02	AB		(A) M20
111		SUPPORTER; S/ABS,FRT SUSP 8-98121-195-0		1312-1403	L	01	A		(B) M14
		8-98121-195-0		1404-	L	01	AB		
		8-98121-193-0		1312-1403	R	01	A		
		8-98121-193-0		1404-	R	01	AB		
168		BRACKET; S/ABS,FRT SUSP 8-97695-128-0		1312-		02	A		WHEEL BASE 5300MM(53W) IDN
		1-51681-616-0		1312-1401		02	A		WHEEL BASE 7100MM(71W)
		1-51681-616-0		1402-1403		02	A		WHEEL BASE 4700MM(47W),WHEEL BASE 710
		1-51681-616-0		1404-		02	A		WHEEL BASE 4700MM(47W),WHEEL BASE 710
		1-51681-616-0		1404-		02	B		
183		SHACKLE; FRT SUSP 1-51162-029-5		1312-1403		02	A		
		1-51162-029-5		1404-		02	AB		
185		WASHER; LK,PIN 1-51169-018-0		1312-1403		12	A		(B) ID=32.4
		1-51169-018-0		1404-		12	AB		(B) ID=32.4
		8-98179-315-0		1312-1403		12	A		(A) ID=12.2
		8-98179-315-0		1404-		12	AB		(A) ID=12.2
186	B	BUSHING; SHACKLE 8-98081-829-0		1312-1403		02	A		OD=38
		8-98081-829-0		1404-		02	AB		OD=38
187		NIPPLE; GREASE,FRT 0-90301-610-0		1312-1403		02	A		PT1/8 ELBOW
		0-90301-610-0		1404-		02	AB		PT1/8 ELBOW
188		RUBBER; CLAMP,U-BOLT,FRT SPR							

4-50

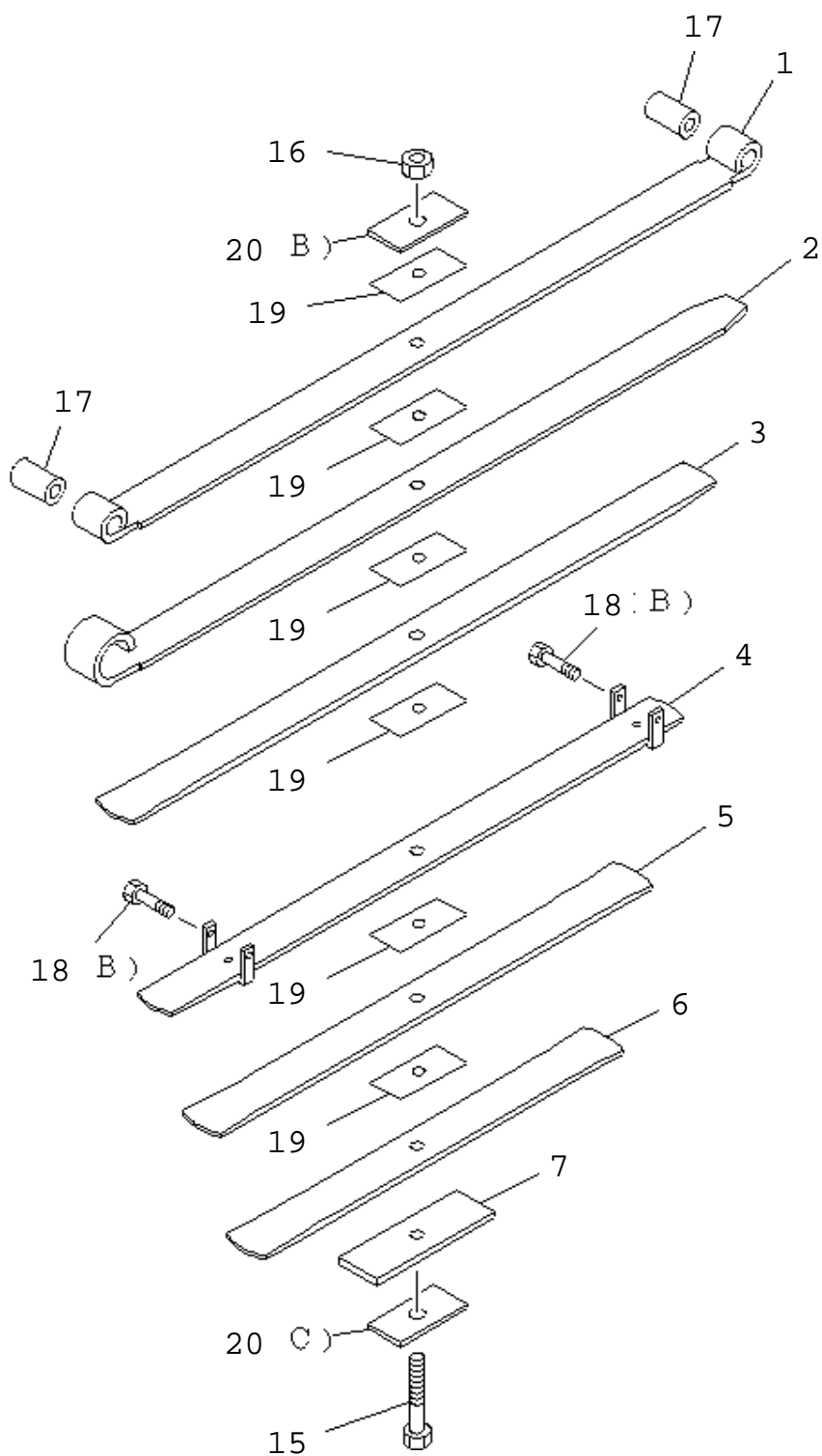
FRONT SUSPENSION

KEY	R / C	PART NAME PART NUMBER	I T C	APPLIED DATE	L / R	Qty	APPLIED MODEL	RESTRICTION/REMARKS	
								A	B
188		1-51172-125-1		1312-1403		02	A	A FVZ WIDE CAB(FGZ5MV)	
		1-51172-125-1		1404-		02	AB	B GVZ WIDE CAB(GGZ5MV)	IDN
192		PIECE; DIST 1-51177-284-1		1312-1403		AR	A		IDN
		1-51177-284-1		1404-		AR	AB		80X144 ID=17.5
193		NUT; U BOLT 8-98179-318-0		1312-1403		08	A		80X144 ID=17.5
		8-98179-318-0		1404-		08	AB		M22
197		PIN; FRT SPR,FRT 0-10856-280-0		1312-1403		12	A		M22
		0-10856-280-0		1404-		12	AB		(B) M12X80
		8-97948-141-0		1312-1403		06	A		(B) M12X80
		8-97948-141-0		1404-		06	AB		(A) IDN
201		NUT; PIN LK 0-91110-512-0		1312-1403		12	A		(A) IDN
		0-91110-512-0		1404-		12	AB		M12
204		NIPPLE; GREASE,RR 0-90301-410-0		1312-1403		02	A		M12
		0-90301-410-0		1404-		02	AB		(A) PT1/8 STRAIGHT
		0-90301-510-0		1312-1403		02	A		(A) PT1/8 STRAIGHT
		0-90301-510-0		1404-		02	AB		(B) PT1/8 ELBOW 67.5 DEGREES
205		ATTACHMENT; GREASE NIPPLE 9-43165-001-0		1312-1403		06	A		(B) PT1/8 ELBOW 67.5 DEGREES
		9-43165-001-0		1404-		06	AB		
208		U-BOLT SET; FRT SPRING 1-87870-498-0		1312-1401		04	A		L=210
		1-87870-493-0		1402-1403		04	A		L=230
		1-87870-493-0		1404-		04	AB		L=230
211		WASHER; BRKT,SHOCK 9-51631-027-0		1312-1403		02	A		(A) ID=27
		9-51631-027-0		1404-		02	AB		(A) ID=27
		9-51631-028-0		1312-1403		02	A		(B) ID=21
		9-51631-028-0		1404-		02	AB		(B) ID=21
4-10		Move to 4-10							
5-01		Move to 5-01							

4-55 FRONT LEAF SPRING
EXC.MIXER CHASSIS



4-55 FRONT LEAF SPRING
MIXER CHASSIS

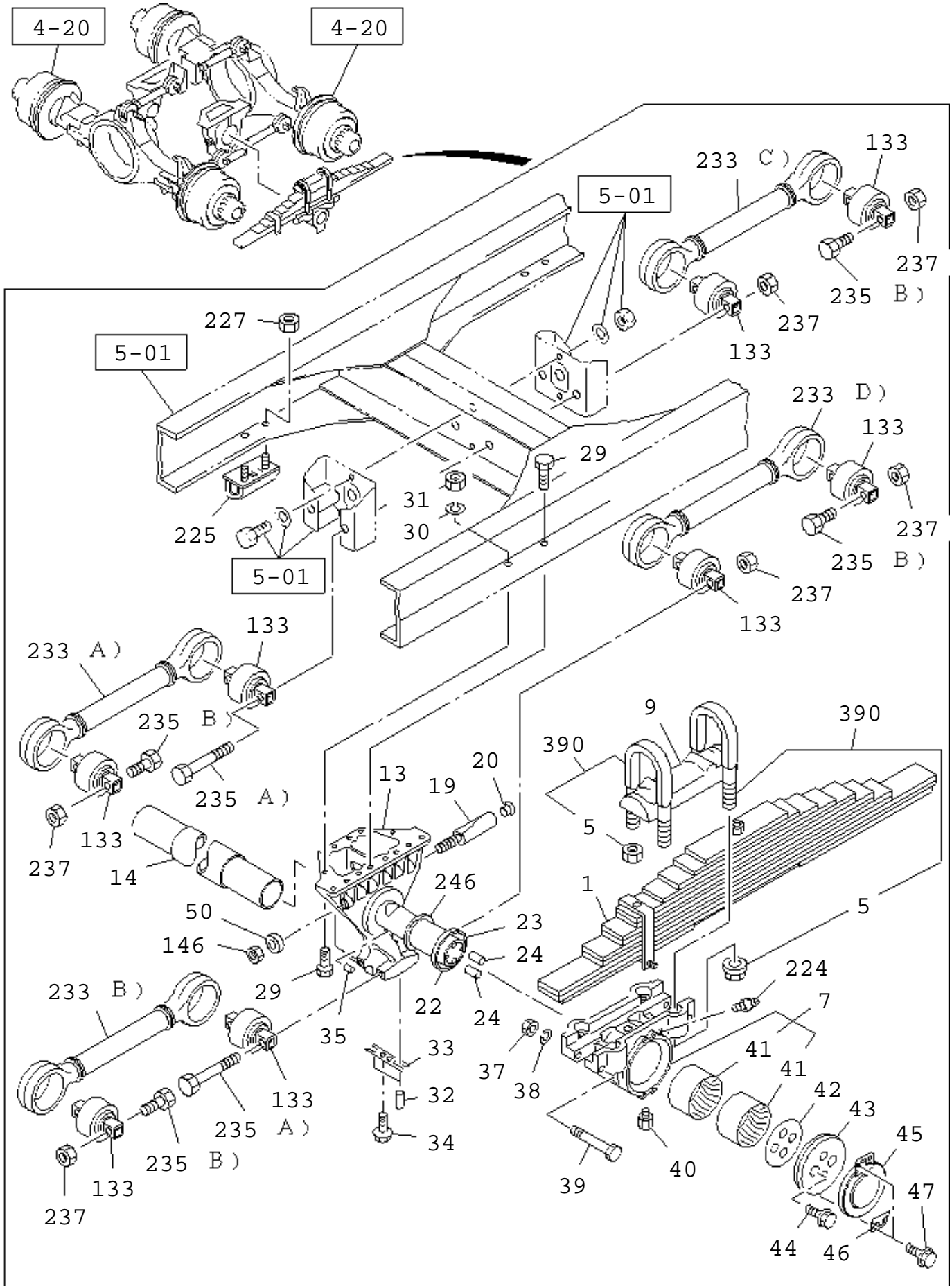


KEY	R / C	PART NAME PART NUMBER	I T C	APPLIED DATE	Qty for ASM A	Qty for ASM B	RESTRICTION/REMARKS
							A 8980290960 B 8981673080
1		SPRING; LEAF,NO 1,FRT 8-98031-827-0 8-98031-827-0 8-98167-548-0 8-98167-548-0 8-98167-548-0			01 01		IDN IDN 01 IDN 01 IDN 01 IDN
2		SPRING; LEAF,NO 2,FRT 8-98031-828-0 8-98031-828-0 8-98167-549-0 8-98167-549-0 8-98167-549-0			01 01		IDN IDN 01 IDN 01 IDN 01 IDN
3		SPRING; LEAF,NO 3,FRT 8-98031-829-0 8-98031-829-0 8-98167-550-0 8-98167-550-0 8-98167-550-0			01 01		IDN IDN 01 IDN 01 IDN 01 IDN
4		SPRING; LEAF,NO 4,FRT 8-98031-830-0 8-98031-830-0 8-98167-551-0 8-98167-551-0 8-98167-551-0			01 01		IDN IDN 01 IDN 01 IDN 01 IDN
5		SPRING; LEAF,NO 5,FRT 8-98031-831-0 8-98031-831-0 8-98167-552-0 8-98167-552-0 8-98167-552-0			01 01		IDN IDN 01 IDN 01 IDN 01 IDN
6		SPRING; LEAF,NO 6,FRT 8-98031-832-0 8-98031-832-0 8-98167-553-0 8-98167-553-0 8-98167-553-0			01 01		IDN IDN 01 IDN 01 IDN 01 IDN
7		SPRING; LEAF,NO 7,FRT 8-98031-833-0 8-98031-833-0 8-98167-554-0 8-98167-554-0 8-98167-554-0			01 01		IDN IDN 01 IDN 01 IDN 01 IDN
15		BOLT; CENTER,LEAF SPR,FRT 1-51156-298-0 1-51156-298-0 1-51156-328-0 1-51156-328-0 1-51156-328-0			01 01		L=145 IDN L=145 IDN L=150 IDN L=150 IDN L=150 IDN
16		NUT; CENTER BOLT,LEAF SPR,FRT 1-09400-054-0 1-09400-054-0 1-09400-054-0 1-09400-054-0 1-09400-054-0			01 01		M16 IDN M16 IDN M16 IDN M16 IDN M16 IDN
17		BUSHING; LEAF SPR,FRT 1-51351-009-0 1-51351-009-0 1-51351-044-0 1-51351-044-0			02 02		OD=38 IDN OD=38 IDN OD=42 IDN OD=42 IDN

4-55

FRONT LEAF SPRING

KEY	R / C	PART NAME PART NUMBER	I T C	APPLIED DATE	Qty for ASM A	Qty for ASM B	RESTRICTION/REMARKS
							A 8980290960 B 8981673080
17		1-51351-044-0				02	OD=42 IDN
18		BOLT; CLIP, LEAF SPR, FRT 1-09000-328-0			02		(B) M10X99 IDN
		1-09000-328-0			02		(B) M10X99 IDN
		1-09000-328-0				01	(B) M10X99 IDN
		1-09000-328-0				01	(B) M10X99 IDN
		1-09000-328-0				01	(B) M10X99 IDN
		1-09000-536-0				02	(A) M10X103 IDN
		1-09000-536-0				02	(A) M10X103 IDN
		1-09000-536-0				02	(A) M10X103 IDN
19		SPACER; LEAF SPRING, FRT 1-51177-071-0			06		T=1 IDN
		1-51177-071-0			06		T=1 IDN
		1-51177-071-0				06	T=1 IDN
		1-51177-071-0				06	T=1 IDN
		1-51177-071-0				06	T=1 IDN
20		SEAT; LEAF SPR, FRT 1-51177-161-0			01		(C) T=10 IDN
		1-51177-161-0			01		(C) T=10 IDN
		1-51177-178-0			01		(B) T=8 IDN
		1-51177-178-0			01		(B) T=8 IDN
		1-51177-097-0				01	(A) T=14 IDN
		1-51177-097-0				01	(A) T=14 IDN
		1-51177-097-0				01	(A) T=14 IDN
35		SEAL; DUST 1-51177-321-0				04	IDN
		1-51177-321-0				04	IDN
		1-51177-321-0				04	IDN



4-60

REAR SUSPENSION

KEY	R / C	PART NAME PART NUMBER	I T C	APPLIED DATE	L / R	Qty	APPLIED MODEL	RESTRICTION/REMARKS
								A FVZ WIDE CAB(FGZ5MV) B GVZ WIDE CAB(GGZ5MV)
1		SPRING ASM; LEAF,RR 8-98185-692-0		1312-1403		02	A	SEE FIG-NO 4-65 FOR COMPONENT.
		8-98185-692-0		1404-		02	AB	IDN
5		NUT; U-BOLT,RR SPR 8-97948-151-0		1312-1403		08	A	IDN
		8-97948-151-0		1404-		08	AB	IDN
7		SEAT; SPR,LWR 8-97614-049-2		1312-1403		02	A	IDN
		8-97614-049-2		1404-		02	AB	IDN
9		PAD; U BOLT,RR SPR 8-98177-265-0		1312-1403		02	A	
		8-98177-265-0		1404-		02	AB	
13		BRACKET; TRUNNION SHAFT 8-97915-942-3		1312-1403		02	A	IDN
		8-97915-942-3		1404-		02	AB	IDN
14		PIPE; TRUNNION BRKT 1-51389-032-1		1312-1403		01	A	
		1-51389-032-1		1404-		01	AB	
19		BOLT; KEY, SHAFT 1-51389-066-0		1312-1403		02	A	IDN
		1-51389-066-0		1404-		02	AB	IDN
20		GROMMET; KEY BOLT 1-09333-057-0		1312-1403		02	A	IDN
		1-09333-057-0		1404-		02	AB	IDN
22		SHAFT; TRUNNION,RR SUSP 1-51381-022-3		1312-1403		02	A	
		1-51381-022-3		1404-		02	AB	
23		SEAL; OIL,TRUNNION SHAFT 1-51389-005-0		1312-1403		02	A	
		1-51389-005-0		1404-		02	AB	
24		PIN; SIDE PLATE TO SHAFT 1-09740-009-0		1312-1403		04	A	
		1-09740-009-0		1404-		04	AB	
29		BOLT; BRKT TO FRAME 8-98012-872-0		1312-1403		24	A	M18X75
		8-98012-872-0		1404-		24	AB	M18X75
		9-92061-855-0		1312-1403		04	A	M18X55
		9-92061-855-0		1404-		04	AB	M18X55
30		WASHER; PL,TRUNNION BRKT 1-09503-162-0		1312-1403		28	A	ID=19
		1-09503-162-0		1404-		28	AB	ID=19
31		NUT; TRUNNION BRKT 0-91110-518-0		1312-1403		28	A	M18
		0-91110-518-0		1404-		28	AB	M18
32		PIN; STRAIGHT 1-09740-027-0		1312-1403		04	A	
		1-09740-027-0		1404-		04	AB	
33		PLATE; LK KNOCK PIN 1-53369-032-1		1312-1403		02	A	
		1-53369-032-1		1404-		02	AB	
34		BOLT; LOCK PLATE 0-28051-016-0		1312-1403		02	A	M10X16 FLANGE

4-60

REAR SUSPENSION

KEY	R / C	PART NAME PART NUMBER	I T C	APPLIED DATE	L / R	Qty	APPLIED MODEL	RESTRICTION/REMARKS	
								A	B
34		0-28051-016-0		1404-		02	AB	A	FVZ WIDE CAB(FGZ5MV)
								B	GVZ WIDE CAB(GGZ5MV)
35		PIN; TRUNNION SHAFT 1-09749-030-1		1312-1403		04	A		
		1-09749-030-1		1404-		04	AB		
37		NUT; SPR SETTING 0-91110-522-0		1312-1403		04	A		
		0-91110-522-0		1404-		04	AB		M22
38		WASHER; LK,SPR SETTING 0-91510-622-0		1312-1403		04	A		M22
		0-91510-622-0		1404-		04	AB		ID=22.5
39		BOLT; SPR SETTING 9-09801-290-1		1312-1403		04	A		ID=22.5
		9-09801-290-1		1404-		04	AB		M22X155
40		VALVE; GREASE ESCAPE 9-51389-010-0		1312-1403		02	A		M22X155
		9-51389-010-0		1404-		02	AB		
41		BUSHING; TRUNNION SHAFT 8-98081-832-0		1312-1403		04	A		
		8-98081-832-0		1404-		04	AB		
42		SHIM; SIDE PLATE TO SHAFT 1-51389-033-1		1312-1403		12	A		
		1-51389-033-1		1404-		12	AB		
43		PLATE; SIDE,TRUNNION SHAFT 8-97948-142-0		1312-1403		02	A		IDN
		8-97948-142-0		1404-		02	AB		IDN
44		BOLT; SIDE PLATE TO SHAFT 1-09044-038-2		1312-1403		04	A		
		1-09044-038-2		1404-		04	AB		M18X48.5 FLANGE
45		COVER; SPR SEAT 1-51387-013-2		1312-1403		02	A		M18X48.5 FLANGE
		1-51387-013-2		1404-		02	AB		
46		BRACKET; COVER 1-51387-015-2		1312-1403		02	A		
		1-51387-015-2		1404-		02	AB		
47		BOLT; COVER TO SEAT 0-28050-812-0		1312-1403		08	A		
		0-28050-812-0		1404-		08	AB		M8X12 FLANGE
50		WASHER; PL,TRUNNION SHAFT 8-98012-871-0		1312-1403		02	A		M8X12 FLANGE
		8-98012-871-0		1404-		02	AB		ID=25
133		BUSHING; RUBBER,TORQUE ROD 1-51519-113-1		1312-		04	A		ID=25
		1-51519-113-1		1312-1403		08	A		OD=105
		1-51519-113-1		1404-		08	AB		OD=105
146		NUT; KEY BOLT 0-91110-524-0		1312-1403		02	A		OD=105
		0-91110-524-0		1404-		02	AB		M24
224		NIPPLE; GREASE,SPR SEAT 0-90301-410-0		1312-1403		02	A		M24
		0-90301-410-0		1404-		02	AB		PT1/8 STRAIGHT
225		RUBBER; CUSHION,RR SPR							PT1/8 STRAIGHT

4-60

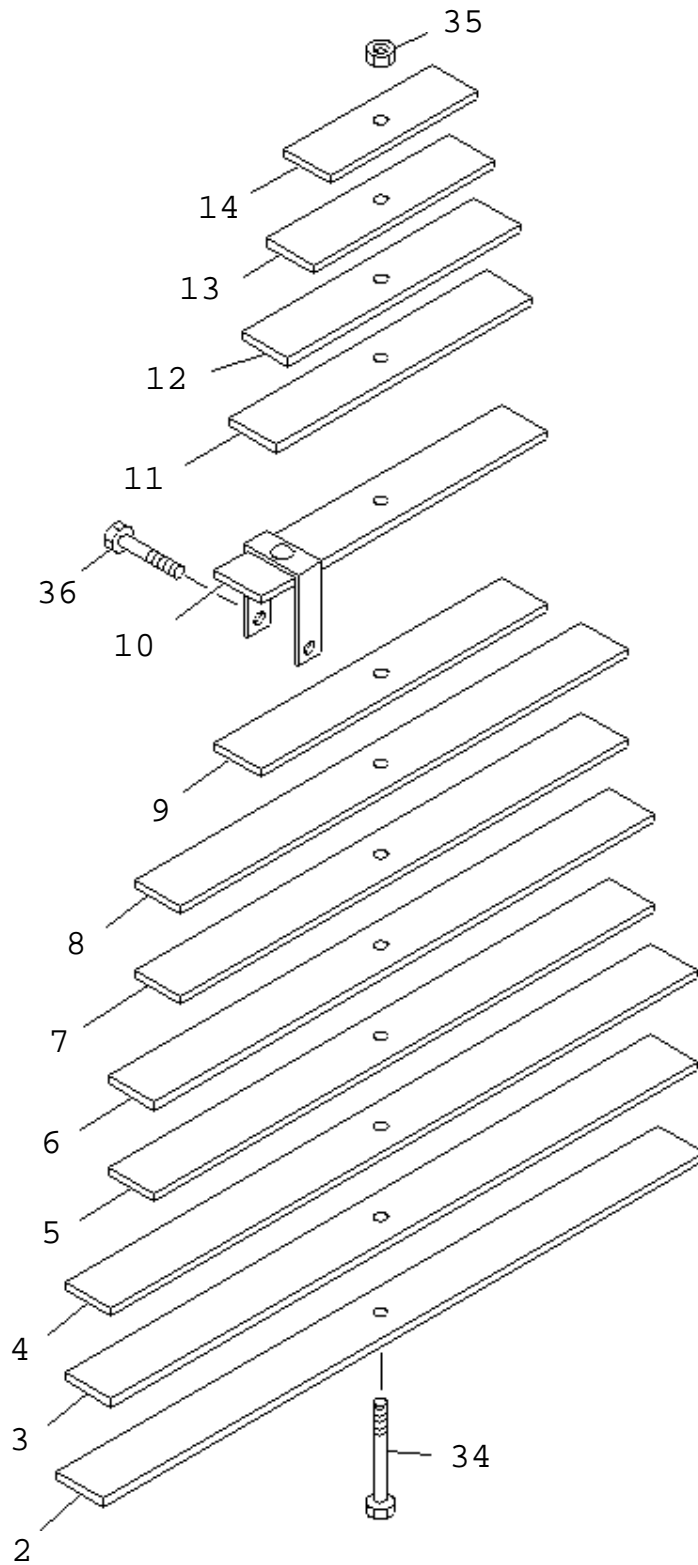
REAR SUSPENSION

KEY	R / C	PART NAME PART NUMBER	I T C	APPLIED DATE	L / R	Qty	APPLIED MODEL	RESTRICTION/REMARKS	
								A	B
225		1-53366-143-1		1312-1403	L	01	A	A	FVZ WIDE CAB(FGZ5MV)
		1-53366-143-1		1312-1403	L	01	A		GVZ WIDE CAB(GGZ5MV)
		1-53366-143-1		1404-	L	01	AB		FORWARD, REARWARD
		1-53366-143-1		1404-	L	01	AB		FORWARD, REARWARD
		1-53366-072-2		1312-1403	R	01	A		FORWARD, REARWARD
		1-53366-072-2		1404-	R	01	AB		REARWARD
		1-53366-142-1		1312-1403	R	01	A		REARWARD
		1-53366-142-1		1404-	R	01	AB		FORWARD
227		NUT; CUSHION RUBBER 0-91180-212-0		1312-1403		08	A		FORWARD
		0-91180-212-0		1404-		08	AB		FORWARD
233		ROD ASM; TORQUE,RR SUSP 1-51511-659-0		1312-1403		01	A		M12 FLANGE
		1-51511-659-0		1404-		01	AB		M12 FLANGE
		1-51511-674-0		1312-1403		01	A		(C) L=550
		1-51511-674-0		1404-		01	AB		(C) L=550
		1-51511-678-0		1312-1403		02	A		(A) L=540
		1-51511-678-0		1404-		02	AB		(A) L=540
		1-51511-658-0		1312-1404		02	A		(B) L=530
		1-51511-658-0		1405-		02	AB		(B) L=530
		1-51511-658-0		1405-		02	B		WHEEL BASE 5300MM(53W) (D) L=545
		1-51511-659-0		1312-1401		02	A		WHEEL BASE 4700MM(47W), WHEEL BASE 5300MM (D) L=545
		1-51511-659-0		1402-1403		02	A		WHEEL BASE 4700MM(47W), WHEEL BASE 7100MM (D) L=550
		1-51511-659-0		1404-1404		02	A		WHEEL BASE 4700MM(47W), WHEEL BASE 7100MM (D) L=550
		1-51511-659-0		1404-1404		02	B		WHEEL BASE 4700MM(47W) (D) L=545
		1-51511-659-0		1405-		02	A		WHEEL BASE 7100MM(71W) (D) L=550
235		BOLT; TORQUE ROD 8-98012-875-0		1312-1403		06	A		WHEEL BASE 7100MM(71W) (D) L=550
		8-98012-875-0		1404-		06	AB		(A) M18X265
		8-98012-877-0		1312-1403		12	A		(A) M18X265
									(B) M18X102

4-60

REAR SUSPENSION

KEY	R / C	PART NAME PART NUMBER	I T C	APPLIED DATE	L / R	Qty	APPLIED MODEL	RESTRICTION/REMARKS	
								A	B
235		8-98012-877-0		1404-		12	AB	A FVZ WIDE CAB(FGZ5MV)	B GVZ WIDE CAB(GGZ5MV)
237		NUT; TORQUE ROD 1-09464-011-0		1312-1403		18	A	(B) M18X102	
		1-09464-011-0		1404-		18	AB	M18	
246		WASHER; TORQUE ROD 1-51389-058-0		1312-1403		02	A	M18	
		1-51389-058-0		1404-		02	AB		
390		U-BOLT SET; RR SPRING 1-87870-495-0		1312-1403		04	A	L=400	
		1-87870-495-0		1404-		04	AB	L=400	
4-20		Move to 4-20							
5-01		Move to 5-01							

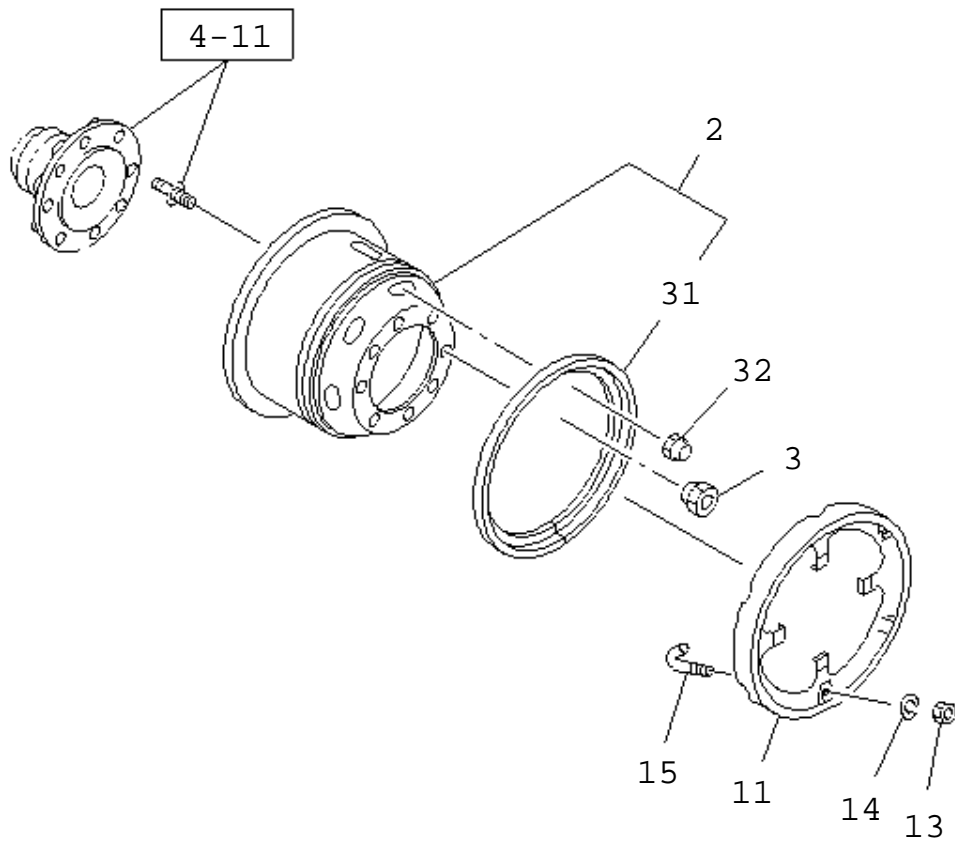


4-65

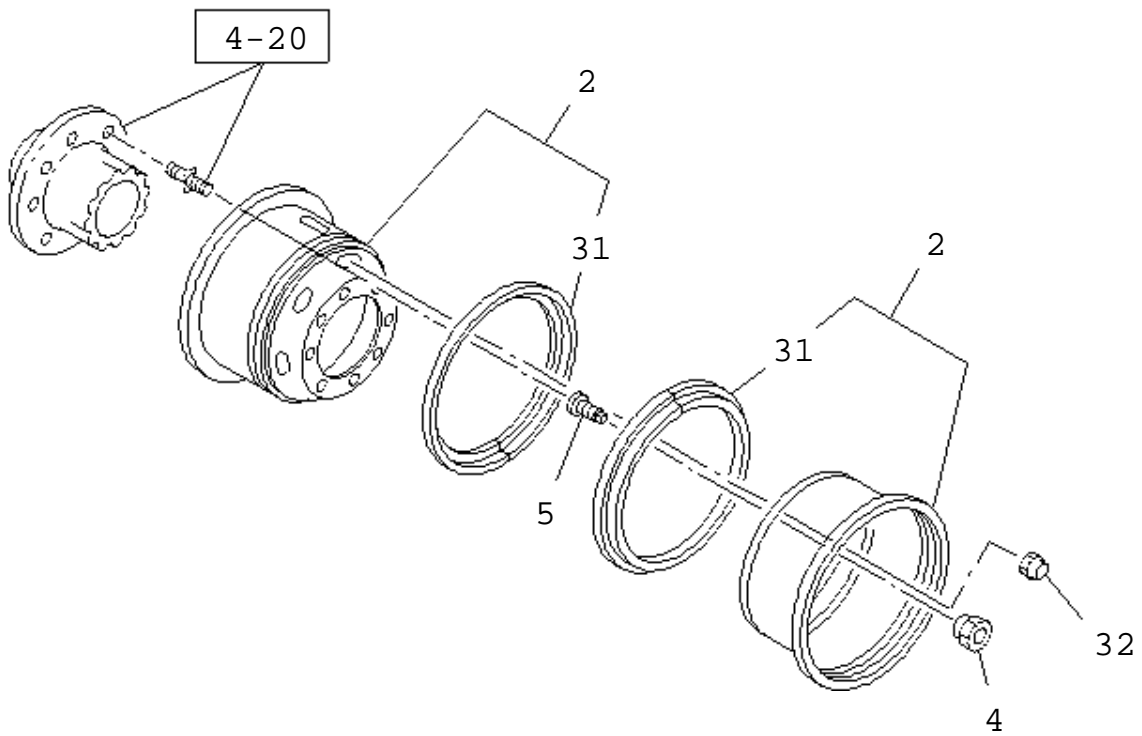
REAR LEAF SPRING

KEY	R / C	PART NAME PART NUMBER	I T C	APPLIED DATE	Qty for ASM A	RESTRICTION/REMARKS
						A 8981856920
2		SPRING; LEAF,NO 1,RR MAIN 8-98243-851-0 8-98243-851-0			01 01	IDN IDN
3		SPRING; LEAF,NO 2,RR MAIN 8-98243-852-0 8-98243-852-0			01 01	IDN IDN
4		SPRING; LEAF,NO 3,RR MAIN 8-98243-852-0 8-98243-852-0			01 01	IDN IDN
5		SPRING; LEAF,NO 4,RR MAIN 8-98243-853-0 8-98243-853-0			01 01	IDN IDN
6		SPRING; LEAF,NO 5,RR MAIN 8-98243-853-0 8-98243-853-0			01 01	IDN IDN
7		SPRING; LEAF,NO 6,RR MAIN 8-98243-854-0 8-98243-854-0			01 01	IDN IDN
8		SPRING; LEAF,NO 7,RR MAIN 8-98243-854-0 8-98243-854-0			01 01	IDN IDN
9		SPRING; LEAF,NO 8,RR MAIN 8-98243-855-0 8-98243-855-0			01 01	IDN IDN
10		SPRING; LEAF,NO 9,RR MAIN 8-98244-033-0 8-98244-033-0			01 01	IDN IDN
11		SPRING; LEAF,NO 10,RR MAIN 8-98243-856-0 8-98243-856-0			01 01	IDN IDN
12		SPRING; LEAF,NO 11,RR MAIN 8-98243-857-0 8-98243-857-0			01 01	IDN IDN
13		SPRING; LEAF,NO 12,RR MAIN 8-98243-858-0 8-98243-858-0			01 01	IDN IDN
14		SPRING; LEAF,NO 13,RR MAIN 8-98243-859-0 8-98243-859-0			01 01	IDN IDN
34		BOLT; CENTER,LEAF SPR,RR MAIN 1-51356-340-0 1-51356-340-0			01 01	L=250 L=250
35		NUT; CENTER BOLT,LEAF SPR,RR 1-09400-054-0 1-09400-054-0			01 01	M16 IDN M16 IDN
36		BOLT; CLIP,LEAF SPR,RR 1-09000-326-0 1-09000-326-0			01 01	

FRONT



REAR



KEY	R / C	PART NAME PART NUMBER	I T C	APPLIED DATE	L / R	Qty	APPLIED MODEL	RESTRICTION/REMARKS	
								A FVZ WIDE CAB (FGZ5MV)	B GVZ WIDE CAB (GGZ5MV)
2		WHEEL; DISC 1-42350-478-0		1312-1403		02	A		
		1-42350-478-0		1404-		02	AB	FRONT IDN	
		1-42350-478-0		1312-1403		08	A	FRONT IDN	
		1-42350-478-0		1404-		08	AB	REAR IDN	
		1-42350-478-0		1312-1403		01	A	REAR IDN	
		1-42350-478-0		1404-		01	AB	SPARE TIRE & DISC WHEEL RR TIRE ONE(R46)	
		1-42350-478-0		1404-		01	AB	SPARE TIRE & DISC WHEEL RR TIRE ONE(R46)	
3	B	NUT; WHEEL, FRT AXLE 1-42334-022-3		1312-1403	L	08	A		
		1-42334-022-3		1404-	L	08	AB	M24 LH THREAD	
		1-42333-022-3		1312-1403	R	08	A	M24 LH THREAD	
		1-42333-022-3		1404-	R	08	AB	M24	
4	B	NUT; WHEEL, RR AXLE 8-97359-810-0		1312-1403	L	16	A		
		8-97359-810-0		1404-	L	16	AB	M30 LH THREAD	
		8-97359-809-0		1312-1403	R	16	A	M30 LH THREAD	
		8-97359-809-0		1404-	R	16	AB	M30 RH THREAD	
5	B	NUT; WHEEL, INNER, RR AXLE 8-97359-806-0		1312-1403	L	16	A		
		8-97359-806-0		1404-	L	16	AB	OUTER M30, INNER M20 LH THREAD	
		8-97359-805-0		1312-1403	R	16	A	OUTER M30, INNER M20 LH THREAD	
		8-97359-805-0		1404-	R	16	AB	OUTER M30, INNER M20 RH THREAD	
11		STEP; DISC WHEEL SIDE 1-43139-002-2		1312-1403		02	A		
		1-43139-002-2		1404-		02	AB	IDN	
13		NUT; STEP DISC 0-91110-510-0		1312-1403		06	A		
		0-91110-510-0		1404-		06	AB	M10	
14		WASHER; LK, STEP DISC 0-91510-810-0		1312-1403		06	A		
		0-91510-810-0		1404-		06	AB	ID=10.2	
15		BOLT; STEP DISC 9-43139-023-1		1312-1403		06	A		
		9-43139-023-1		1404-		06	AB	IDN	
31		RING; SIDE, DISC WHEEL							

4-80

ROAD WHEEL

KEY	R / C	PART NAME PART NUMBER	I T C	APPLIED DATE	L / R	Qty	APPLIED MODEL	RESTRICTION/REMARKS	
								A FVZ WIDE CAB (FGZ5MV)	B GVZ WIDE CAB (GGZ5MV)
31		1-42355-003-1		1312-1403		02	A		
		1-42355-003-1		1404-		02	AB	FRONT IDN	
		1-42355-003-1		1312-1403		08	A	FRONT IDN	
		1-42355-003-1		1404-		08	AB	REAR IDN	
		1-42355-003-1		1312-1403		01	A	REAR IDN	
		1-42355-003-1		1404-		01	AB	SPARE TIRE & DISC WHEEL RR TIRE ONE(R46)	
		1-42355-003-1		1312-1403		01	A	SPARE TIRE & DISC WHEEL RR TIRE ONE(R46)	
		1-42355-003-1		1404-		01	AB	SPARE TIRE & DISC WHEEL RR TIRE ONE(R46)	
32		CAP; VALVE		1312-1403		11	A	SPARE TIRE & DISC WHEEL RR TIRE ONE(R46)	
		1-42374-001-0		1404-		11	AB	SPARE TIRE & DISC WHEEL RR TIRE ONE(R46)	
4-11		Move to 4-11							
4-20		Move to 4-20							