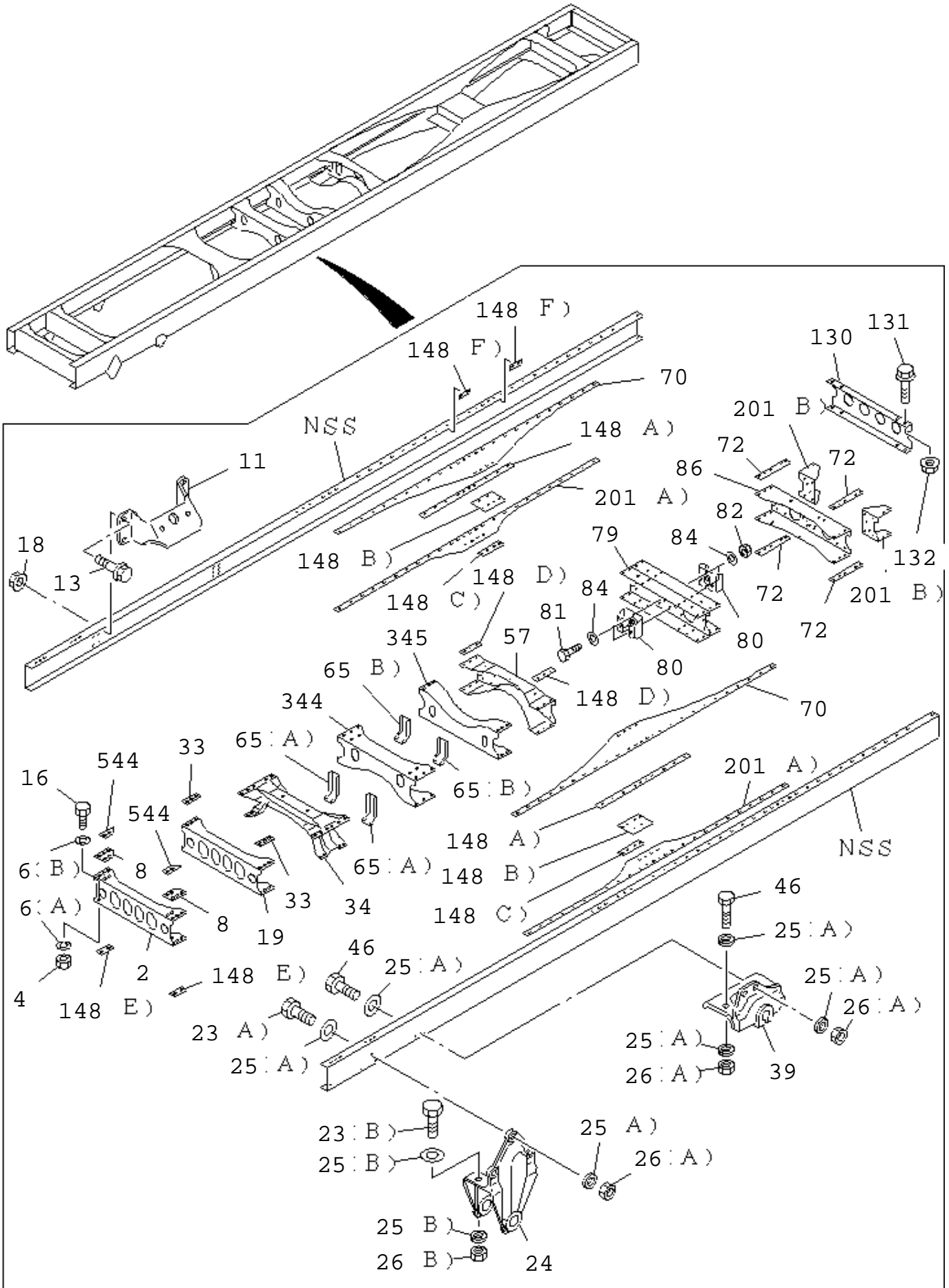


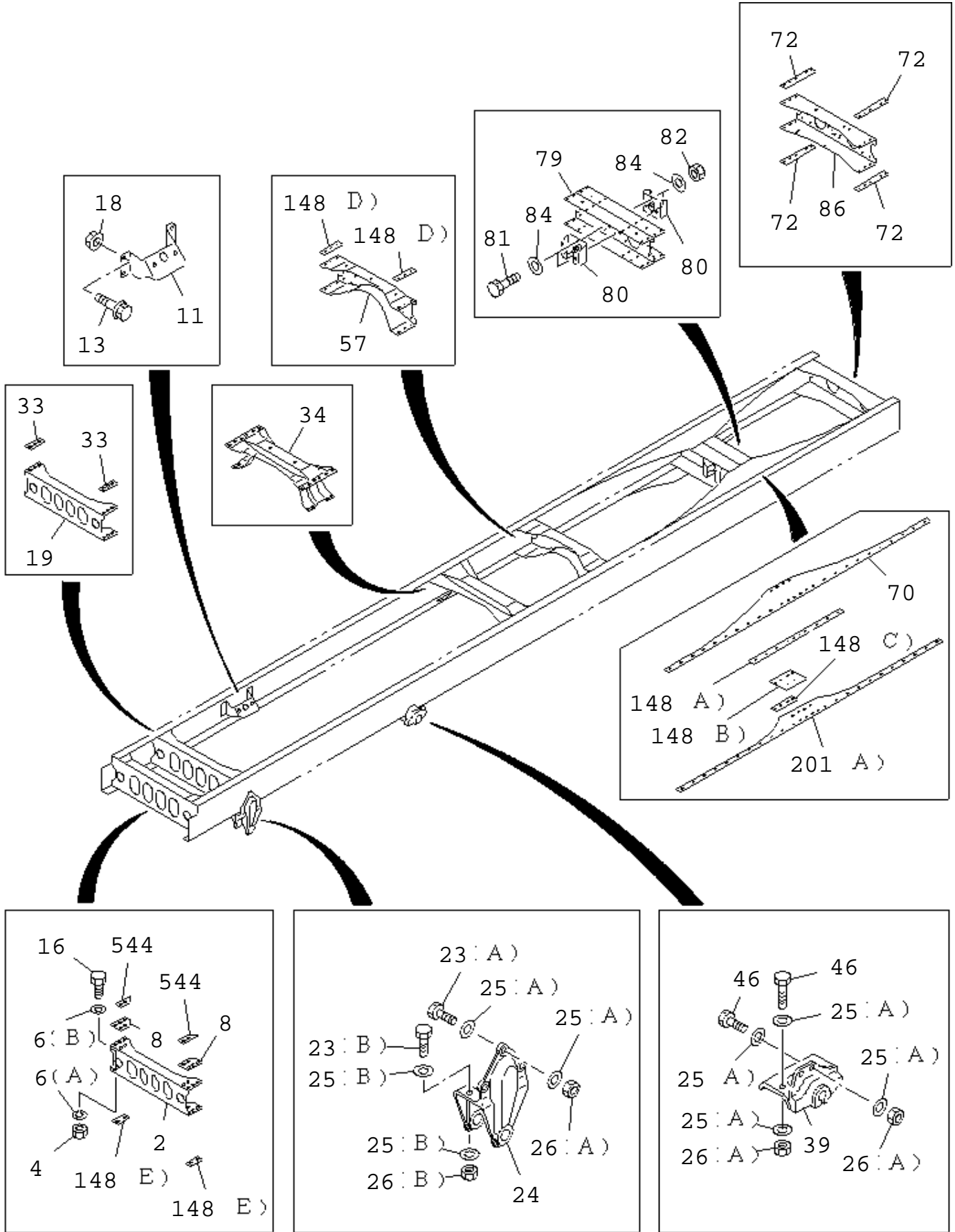
5-01 FRAME AND OTHER PARTS

WHEEL BASE 5300,7100MM



5-01 FRAME AND OTHER PARTS

WHEEL BASE 4700MM



5-01

FRAME AND OTHER PARTS

KEY	R / C	PART NAME PART NUMBER	I T C	APPLIED DATE	L / R	Qty	APPLIED MODEL	RESTRICTION/REMARKS		
								A WHEEL BASE 5300MM(53W)	B WHEEL BASE 7100MM(71W)	C WHEEL BASE 4700MM(47W)
2		MEMBER; CROSS,1ST 8-97695-001-0		1312-		01	A			
		8-97610-852-6		1312-1401		01	B	IDN		
		8-97610-852-6		1402-		01	BC	IDN		
4		NUT; 1ST C/MBR TO S/MBR 0-91110-514-0		1312-1403		02	AB	IDN		
		0-91110-514-0		1404-		02	ABC	M14		
6		WASHER; LK,1ST C/MBR 0-91510-814-0		1312-1403		02	AB	M14		
		0-91510-814-0		1404-		02	ABC	(A) ID=14.2		
		8-98010-627-1		1312-1403		02	AB	(A) ID=14.2		
		8-98010-627-1		1404-		02	ABC	(B) ID=15		
8		GUSSET; 1ST C/MBR 8-97611-027-0		1312-1401		02	AB	(B) ID=15		
		8-97611-027-0		1402-		02	ABC			
11		BRACKET; ENG MTG 8-97695-131-0		1312-		02	A	IDN		
		8-97619-550-0		1312-1401		02	B			
		8-97619-550-0		1402-		02	BC			
13		BOLT; BRKT,ENG MTG 0-28661-240-0		1312-1401		08	AB	M12X40 FLANGE		
		0-28661-240-0		1402-		08	ABC	M12X40 FLANGE		
16		BOLT; 1ST C/MBR TO S/MBR 0-20851-440-0		1312-1403		02	AB	M14X40		
		0-20851-440-0		1404-		02	ABC	M14X40		
18		NUT; BRKT,ENG MTG 0-91180-212-0		1312-1401		08	AB	M12 FLANGE		
		0-91180-212-0		1402-		08	ABC	M12 FLANGE		
19		MEMBER; CROSS,2ND 8-97695-002-0		1312-		01	A	IDN		
		8-97610-853-4		1312-1401		01	B	IDN		
		8-97610-853-4		1402-		01	BC	IDN		
23		BOLT; BRKT,SPR 0-20951-450-0		1312-1401		06	AB	IDN		
		0-20951-450-0		1402-		06	ABC	(A) M14X50		
		0-20951-660-0		1312-1401		04	AB	(A) M14X50		
		0-20951-660-0		1402-		04	ABC	(B) M16X60		
24		BRACKET; FRT SPR,FRT 8-97695-046-0		1312-	L	01	A	(B) M16X60		
		8-97695-047-0		1312-	R	01	A	IDN		

5-01

FRAME AND OTHER PARTS

KEY	R / C	PART NAME PART NUMBER	I T C	APPLIED DATE	L / R	Qty	APPLIED MODEL	RESTRICTION/REMARKS
								A WHEEL BASE 5300MM(53W) B WHEEL BASE 7100MM(71W) C WHEEL BASE 4700MM(47W)
24		8-98018-840-0		1312-1401	L	01	B	
		8-98018-840-0		1402-	L	01	BC	
		8-98018-841-0		1312-1401	R	01	B	
		8-98018-841-0		1402-	R	01	BC	
25		WASHER; PL, BRKT 1-09503-316-0		1312-1401		08	AB	(B) ID=16.2
		1-09503-316-0		1402-		08	ABC	(B) ID=16.2
		8-98010-627-1		1312-1401		28	AB	(A) ID=15
		8-98010-627-1		1402-		28	ABC	(A) ID=15
26		NUT; BRKT, SPR 0-91110-514-0		1312-1401		14	AB	(A) M14
		0-91110-514-0		1402-		14	ABC	(A) M14
		0-91110-516-0		1312-1401		04	AB	(B) M16
		0-91110-516-0		1402-		04	ABC	(B) M16
33		SPACER; 2ND C/MBR, UPR 8-97948-140-0		1312-		02	A	IDN
		8-97611-040-0		1312-1401		02	B	
		8-97611-040-0		1402-		02	BC	
34		MEMBER; CROSS, 3RD 8-97695-208-0		1312-		01	A	IDN
		8-97610-854-2		1312-1401		01	B	
		8-97610-854-2		1402-		01	BC	
39		BRACKET; FRT SPR, RR 8-97924-625-0		1312-	L	01	A	IDN
		8-97924-626-0		1312-	R	01	A	IDN
		8-98043-648-0		1312-1401	L	01	B	
		8-98043-648-0		1402-	L	01	BC	
		8-98043-649-0		1312-1401	R	01	B	
		8-98043-649-0		1402-	R	01	BC	
46		BOLT; BRKT FIX 0-20951-450-0		1312-1401		08	AB	M14X50
		0-20951-450-0		1402-		08	ABC	M14X50
57		MEMBER; CROSS, RR SUSP FRT 8-97647-264-0		1404-		01	C	GVZ WIDE CAB(GG****) IDN
		8-97695-021-0		1312-		01	A	IDN
		8-97612-103-1		1312-1401		01	B	IDN
		8-97612-103-1		1402-		01	B	IDN
		8-97612-103-1		1402-		01	C	IDN FVZ WIDE CAB(FG****) IDN
65		BRACKET; CENTER BRG 8-97614-132-0		1312-		02	B	(B)
		8-97614-150-0		1312-		02	B	(A)
70		GUSSET; TRUNNION, UPR 8-97647-951-0		1404-		02	C	GVZ WIDE CAB(GG****)

5-01

FRAME AND OTHER PARTS

KEY	R / C	PART NAME PART NUMBER	I T C	APPLIED DATE	L / R	Qty	APPLIED MODEL	RESTRICTION/REMARKS
								A WHEEL BASE 5300MM(53W) B WHEEL BASE 7100MM(71W) C WHEEL BASE 4700MM(47W)
70		8-97695-027-0		1312-		02	A	IDN
		8-97612-106-0		1312-1401		02	B	IDN
		8-97612-106-0		1402-		02	B	IDN
		8-97612-106-0		1402-		02	C	FVZ WIDE CAB(FG****) IDN
72		SPACER; TRUNNION 8-97647-953-0		1404-		04	C	GVZ WIDE CAB(GG****) IDN
		8-97612-110-0		1312-1401		04	AB	
		8-97612-110-0		1402-		04	AB	
		8-97612-110-0		1402-		04	C	FVZ WIDE CAB(FG****)
79		MEMBER; CROSS,TRUNNION ASM 8-97695-005-0		1312-		01	A	IDN
		8-97612-104-0		1312-1401		01	B	IDN
		8-97612-104-0		1402-		01	BC	IDN
80		BRACKET; C/MBR 8-97948-138-0		1312-		02	A	IDN
		1-53363-068-0		1312-1401		02	B	
		1-53363-068-0		1402-		02	BC	
81		BOLT; BRKT 0-10956-450-0		1312-1401		02	AB	M14X50
		0-10956-450-0		1402-		02	ABC	M14X50
82		NUT; BRKT 0-91110-514-0		1312-1401		02	AB	M14
		0-91110-514-0		1402-		02	ABC	M14
84		WASHER; PL,BRKT 8-98010-627-1		1312-1401		04	AB	ID=15
		8-98010-627-1		1402-		04	ABC	ID=15
86		MEMBER; CROSS,RR SUSP RR 8-97695-006-0		1312-		01	A	IDN
		8-97612-105-4		1312-1401		01	B	IDN
		8-97612-105-4		1402-		01	BC	IDN
130		MEMBER; CROSS,END 8-97695-020-0		1312-		01	A	IDN
		8-97610-869-1		1312-1401		01	B	IDN
		8-97610-869-1		1402-		01	B	IDN
		8-97610-869-1		1402-		01	C	FVZ WIDE CAB(FG****) IDN
131		BOLT; END C/MBR 0-50541-230-0		1312-1401		04	AB	M12X30 W/LK WASHER
		0-50541-230-0		1402-		04	AB	M12X30 W/LK WASHER
		0-50541-230-0		1402-		04	C	FVZ WIDE CAB(FG****) M12X30 W/LK WASHER
132		NUT; END C/MBR 0-91110-512-0		1312-1401		04	AB	M12
		0-91110-512-0		1402-		04	AB	M12
		0-91110-512-0		1402-		04	C	FVZ WIDE CAB(FG****) M12
148		SPACER; C/MBR						

5-01

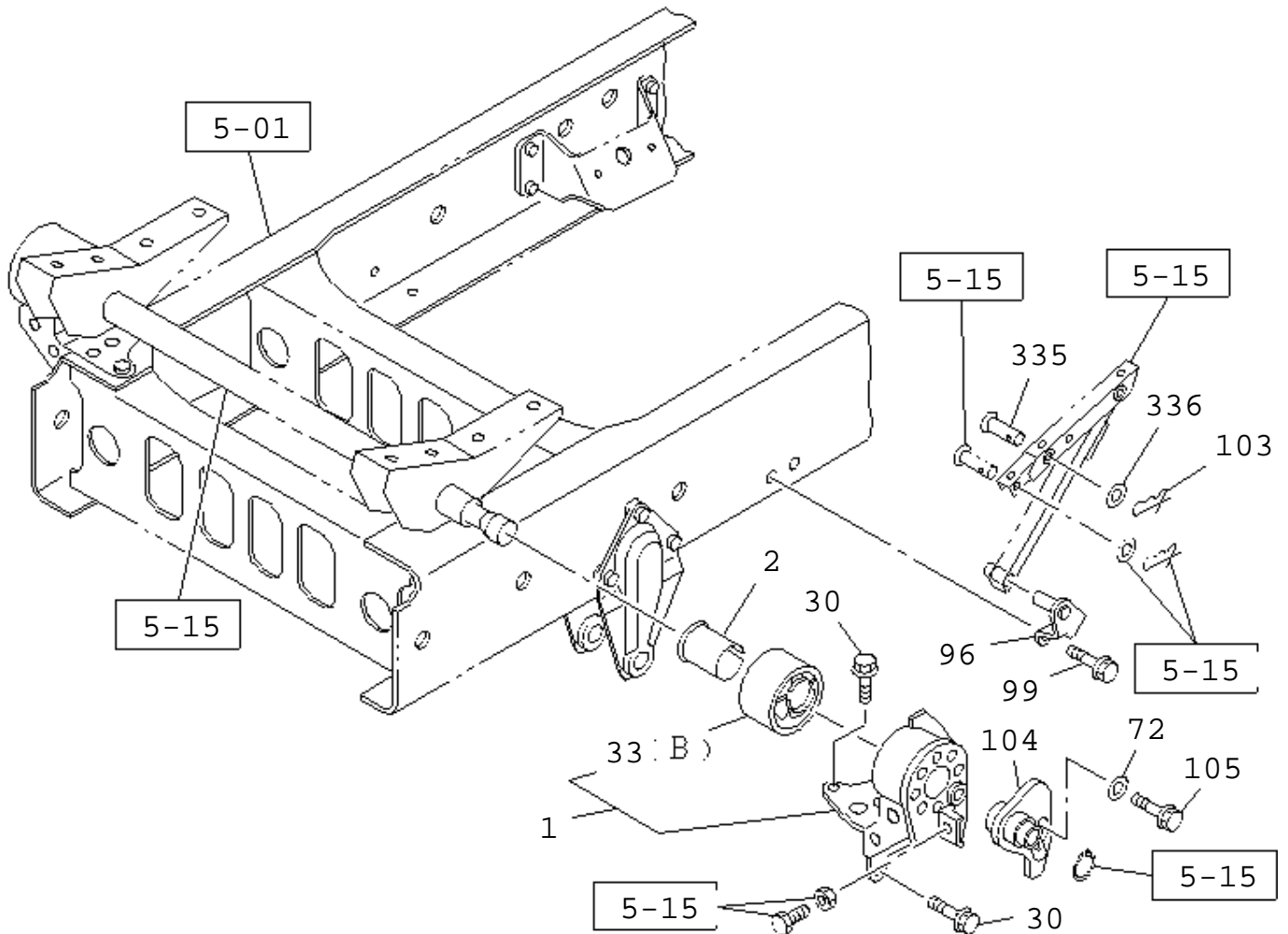
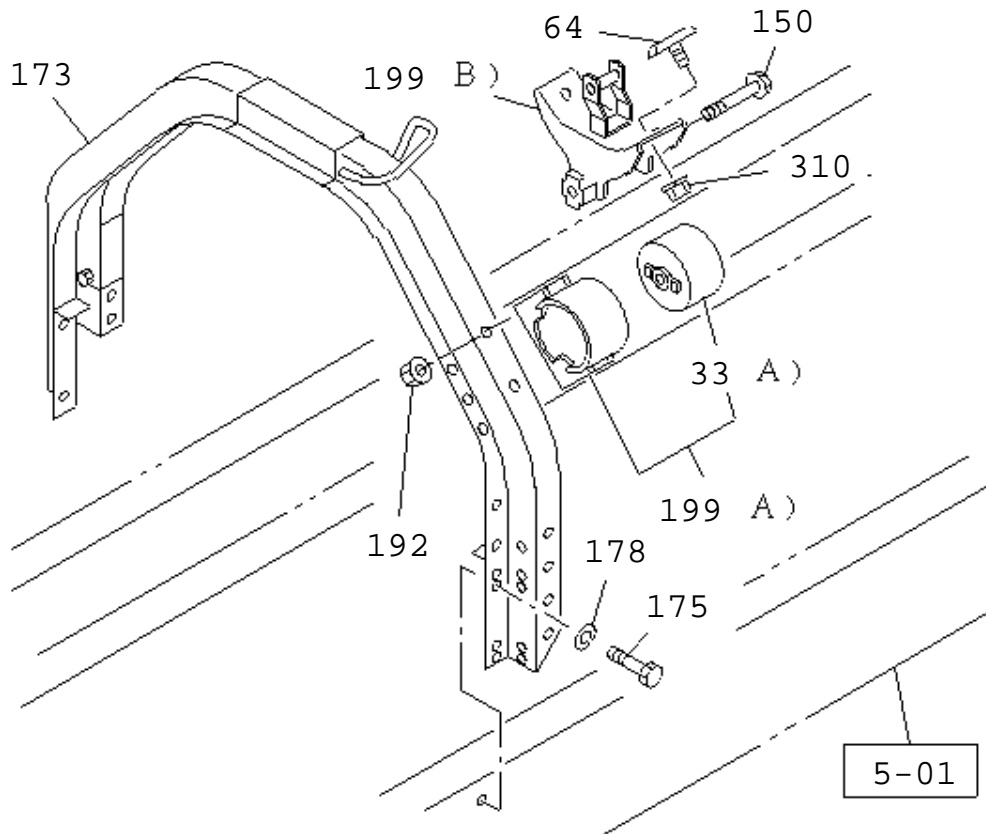
FRAME AND OTHER PARTS

KEY	R / C	PART NAME PART NUMBER	I T C	APPLIED DATE	L / R	Qty	APPLIED MODEL	RESTRICTION/REMARKS		
								A WHEEL BASE 5300MM(53W)	B WHEEL BASE 7100MM(71W)	C WHEEL BASE 4700MM(47W)
148		8-97695-165-0		1312-		04	A			
		8-97612-112-0		1402-		02	C	(F)		
		8-97695-162-0		1312-		02	A	IDN		
		8-97695-163-0		1312-		02	A	(A)		
		8-97695-164-0		1312-		02	A	(A)		
		8-97611-039-0		1312-1401		02	AB	IDN		
		8-97611-039-0		1402-		02	ABC	(C)		
		8-97612-109-0		1312-1401		02	AB	(E)		
		8-97612-109-0		1402-		02	ABC	(E)		
		8-97612-111-0		1312-1401		04	B	(D)		
		8-97612-111-0		1402-		04	BC	(D)		
		8-97612-113-0		1312-1401		02	B	(F)		
		8-97612-113-0		1402-		02	BC	(F)		
		8-97612-115-0		1312-1401		02	B	(B)		
		8-97612-115-0		1402-		02	BC	(B)		
		8-97646-445-0		1312-		02	B	(C)		
201		GUSSET; C/MBR 8-97695-028-0		1312-		02	A	(C)		
		8-97646-544-0		1402-		02	C	(A)		
		8-97647-952-0		1404-		02	C	FVZ WIDE CAB(FG****)		
		8-97695-031-0		1312-	L	01	A	(A)		
		8-97695-034-0		1312-	R	01	A	IDN		
		8-97612-108-2		1312-1401		02	B	(A)		
		8-97612-108-2		1402-		02	B	(B)		
		8-97612-108-2		1402-		02	C	IDN		
		8-97646-267-0		1312-		02	B	FVZ WIDE CAB(FG****)		
344		MEMBER; CROSS, 4TH 8-97695-004-0		1312-		01	A	(B)		
		8-97611-238-1		1312-		01	B	IDN		
345		MEMBER; CROSS, 5TH 8-97611-238-1		1312-		01	B	IDN		
544		PLATE; CAB FRT MTG 8-97695-134-0		1312-		02	A	IDN		
		8-97615-598-0		1312-1401		02	B	IDN		

5-01

FRAME AND OTHER PARTS

KEY	R / C	PART NAME PART NUMBER	I T C	APPLIED DATE	L / R	Qty	APPLIED MODEL	RESTRICTION/REMARKS
								A WHEEL BASE 5300MM(53W) B WHEEL BASE 7100MM(71W) C WHEEL BASE 4700MM(47W)
544		8-97615-598-0		1402-		02	BC	



5-10

CAB MOUNTING; FRAME SIDE

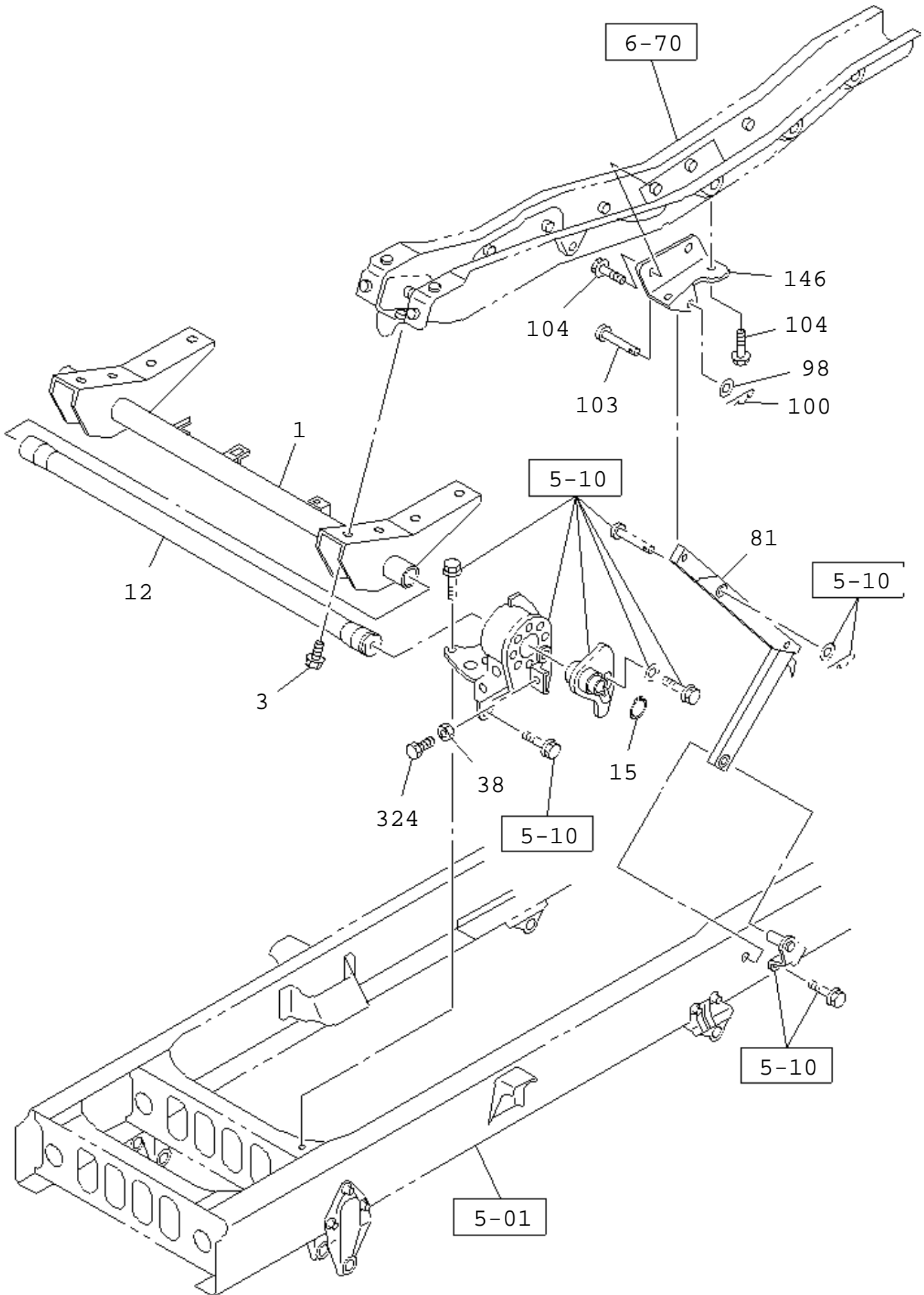
KEY	R / C	PART NAME PART NUMBER	I T C	APPLIED DATE	L / R	Qty	APPLIED MODEL	RESTRICTION/REMARKS	
								A	B
1		BRACKET; CAB MTG 8-98013-038-2 8-98013-038-2 8-98017-660-2 8-98017-660-2 8-98017-659-1 8-98017-659-1 8-98017-658-1 8-98017-658-1		1312-1403 1404- 1312-1403 1404- 1312-1403 1404- 1312-1403 1404-	L L R R L L R R	01 01 01 01 01 01 01 01	A AB A AB A AB A AB	A FVZ WIDE CAB(FGZ5MV) B GVZ WIDE CAB(GGZ5MV)	CAB SUSPENSION RIGID<W71> CAB SUSPENSION RIGID<W71> CAB SUSPENSION RIGID<W71> CAB SUSPENSION RIGID<W71> CAB SUSPENSION SEMI FLOATING<SDK> CAB SUSPENSION SEMI FLOATING<SDK> CAB SUSPENSION SEMI FLOATING<SDK> CAB SUSPENSION SEMI FLOATING<SDK>
2		BUSHING; TORSION BAR 8-98010-767-0 8-98010-767-0		1312-1403 1404-		02 02	A AB		CAB SUSPENSION RIGID<W71> CAB SUSPENSION RIGID<W71>
30		BOLT; CAB FRT FOOT 0-28861-445-0 0-28861-445-0		1312-1403 1404-		10 10	A AB		M14X45 FLANGE M14X45 FLANGE
33		BUSHING; RUBBER,CAB MTG BRKT,FRT 8-98013-933-1 8-98013-933-1 8-98013-934-1 8-98013-934-1 8-98010-759-2 8-98010-759-2 8-98065-943-0 8-98065-943-0		1312-1403 1404- 1312-1403 1404- 1312-1403 1404- 1312-1403 1404-		02 02 02 02 02 02 02 02	A AB A AB A AB A AB		CAB SUSPENSION RIGID<W71> (B) CAB SUSPENSION RIGID<W71> (B) CAB SUSPENSION RIGID<W71> (A) CAB SUSPENSION RIGID<W71> (A) CAB SUSPENSION SEMI FLOATING<SDK> (A) CAB SUSPENSION SEMI FLOATING<SDK> (A) CAB SUSPENSION SEMI FLOATING<SDK> (B) CAB SUSPENSION SEMI FLOATING<SDK> (B)
64		RUBBER; CUSHION 8-97113-340-0 8-97113-340-0		1312-1403 1404-		04 04	A AB		
72		WASHER; PL,BRKT TO FRAME 0-91614-714-0 0-91614-714-0		1312-1403 1404-		01 01	A AB		ID=15 OD=36 ID=15 OD=36
96		BRACKET; CAB STAY 1-62500-628-0 1-62500-628-0		1312-1403 1404-		01 01	A AB		
99		BOLT; BRKT 0-28661-030-0 0-28661-030-0		1312-1403 1404-		02 02	A AB		M10X30 FLANGE M10X30 FLANGE
103		PIN; SPLIT,CAB STAY 8-98062-280-0 8-98062-280-0		1312-1403 1404-		01 01	A AB		L=32.6 L=32.6
104		BRACKET; CAB FRAME,CAB FRT MTG 8-98010-753-3 8-98010-753-3		1312-1403 1404-		01 01	A AB		
105		BOLT; BRKT TO CAB FRAME 0-28661-435-0 0-28661-435-0		1312-1403 1404-		01 01	A AB		M14X35 FLANGE M14X35 FLANGE
150		BOLT; CAB MTG RR 0-10956-400-0 0-10956-400-0		1312-1403 1404-		02 02	A AB		M14X100 M14X100
173		MEMBER; CAB MTG RR 8-98242-006-1 8-98242-006-1		1312-1403 1404-		01 01	A AB		IDN IDN
175		BOLT; MEMBER TO FRAME							

5-10

CAB MOUNTING; FRAME SIDE

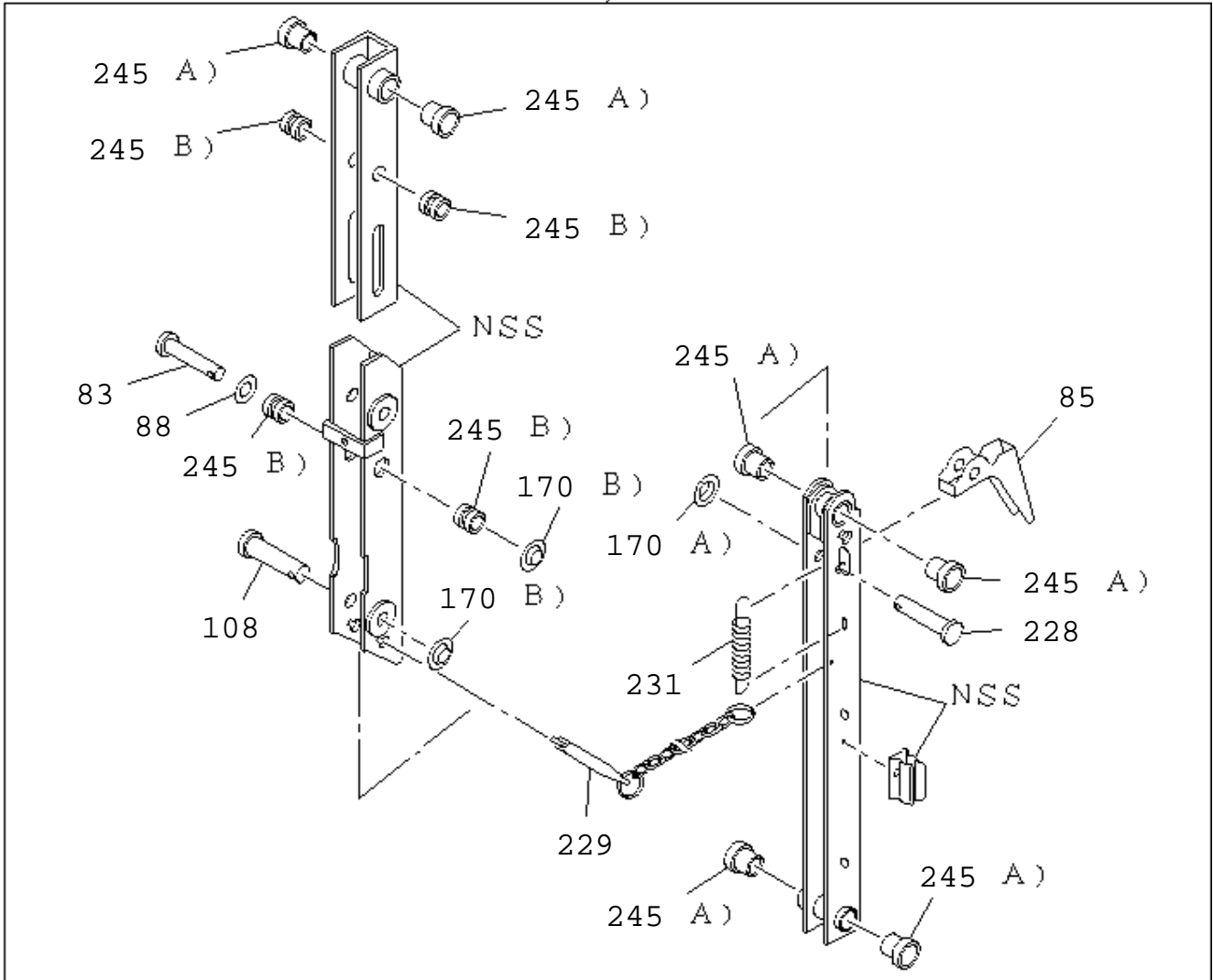
KEY	R / C	PART NAME PART NUMBER	I T C	APPLIED DATE	L / R	Qty	APPLIED MODEL	RESTRICTION/REMARKS	
								A	B
175		0-20951-235-0		1312-1403		08	A	A FVZ WIDE CAB(FGZ5MV)	
		0-20951-235-0		1404-		08	AB	B GVZ WIDE CAB(GGZ5MV)	
178		WASHER; LK, MEMBER 0-91510-612-0		1312-1403		08	A	M12X35	
		0-91510-612-0		1404-		08	AB	M12X35	
192		NUT; BRKT FIX 0-91180-212-0		1312-1403		04	A	ID=12.2	
		0-91180-212-0		1404-		08	AB	ID=12.2	
199		BRACKET; CAB RR MTG 8-98023-692-0		1312-1403		02	A	M12 FLANGE	
		8-98023-692-0		1404-		04	AB	M12 FLANGE	
		8-98010-770-0		1312-1403		02	A	(B)	
		8-98010-770-0		1404-		02	AB	(B)	
		8-98060-901-1		1312-1403		02	A	CAB SUSPENSION RIGID<W71>	
		8-98060-901-1		1404-		02	AB	(A)	
310		NUT; CUSHION 0-91180-108-0		1312-1403		04	A	CAB SUSPENSION RIGID<W71>	
		0-91180-108-0		1404-		04	AB	(A)	
335		PIN; ADJ, STAY LOCK 1-09744-107-0		1312-1403		01	A	CAB SUSPENSION SEMI FLOATING<SDK>	
		1-09744-107-0		1404-		01	AB	(A)	
336		WASHER; PL, STAY LOCK 1-09985-183-0		1312-1403		01	A	CAB SUSPENSION SEMI FLOATING<SDK>	
		1-09985-183-0		1404-		01	AB	(A)	
5-01		Move to 5-01						OD=10 L=48	
5-15		Move to 5-15						OD=10 L=48	
								ID=10.5 T=2.0	
								ID=10.5 T=2.0	

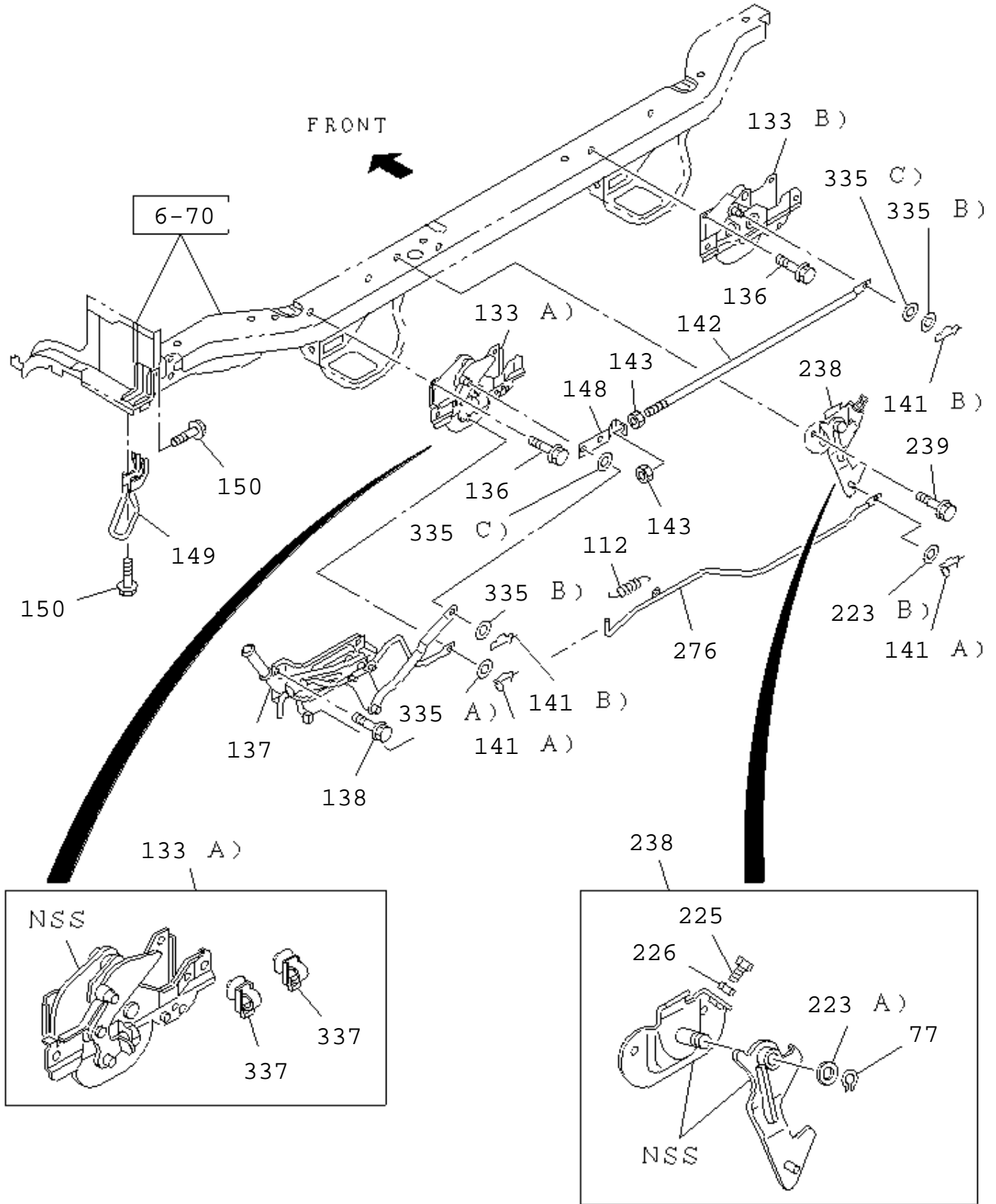
5-15 CAB MOUNTING; CAB SIDE
TORSION BAR AND CAB TILT STAY



5-15 CAB MOUNTING; CAB SIDE
COMPONENT; CAB TILT STAY

81





5-15

CAB MOUNTING; CAB SIDE

KEY	R / C	PART NAME PART NUMBER	I T C	APPLIED DATE	L / R	Qty	APPLIED MODEL	RESTRICTION/REMARKS	
								A	B
1		LEVER; TORSION BAR 8-98010-752-7		1312-1403		01	A		
		8-98010-752-7		1404-		01	AB		
3		BOLT; LEVER 8-98090-287-1		1312-1403		08	A		
		8-98090-287-1		1404-		08	AB	M12X42 FLANGE	
12		BAR; TORSION,UPR 8-98010-947-1		1312-1403		01	A		
		8-98010-947-1		1404-		01	AB	M12X42 FLANGE	
15		RING; SNAP,TORSION BAR 8-97129-615-0		1312-1403		01	A		
		8-97129-615-0		1404-		01	AB	T=1.90 BLUE	
38		NUT; LK 0-91110-514-0		1312-1403		01	A		
		0-91110-514-0		1404-		01	AB	M14	
77		RING; SNAP 0-91800-616-0		1312-1403		01	A		
		0-91800-616-0		1404-		01	AB	ID=14.7	
81		STAY ASM; CAB TILT 1-62500-761-0		1312-1403		01	A		
		1-62500-761-0	C	1404-1406		01	AB	ID=14.7	
		8-98278-116-0		1407-		01	AB		
83		PIN; JOINT,CAB STAY 1-09744-106-0		1312-1403		01	A		
		1-09744-106-0		1404-		01	AB	OD=10 L=42	
85		LEVER; LOCK,CAB STAY 1-62500-503-0		1312-1403		01	A		
		1-62500-503-0		1404-		01	AB	OD=10 L=42	
88		WASHER; PL,CAB STAY PIN 1-09985-183-0		1312-1403		01	A		
		1-09985-183-0		1404-		01	AB	ID=10.5 T=2.0	
98		WASHER; CAB STAY 1-09985-183-0		1312-1403		01	A		
		1-09985-183-0		1404-		01	AB	ID=10.5 T=2.0	
100		PIN; SNAP,CAB STAY TO CAB 8-98039-426-1		1312-1403		01	A		
		8-98039-426-1		1404-		01	AB	L=34	
103		PIN; JOINT,CAB STAY 1-09744-108-1		1312-1403		01	A		
		1-09744-108-1		1404-		01	AB	L=34	
104		BOLT; CAB STAY BRKT 0-28661-030-0		1312-1403		04	A		
		0-28661-030-0		1404-		04	AB	M10X30 FLANGE	
108		PIN; ADJ,CAB STAY 1-09744-106-0		1312-1403		01	A		
		1-09744-106-0		1404-		01	AB	OD=10 L=42	
112		SPRING; RETURN,SAFETY ROD 1-79718-655-0		1312-1403		01	A		
		1-79718-655-0		1404-		01	AB	OD=10 L=42	
133		LOCK ASM; CAB 8-98101-514-1		1312-1403		L 01	A		(A)
		8-98101-514-1		1404-		L 01	AB		(A)

5-15

CAB MOUNTING; CAB SIDE

KEY	R / C	PART NAME PART NUMBER	I T C	APPLIED DATE	L / R	Qty	APPLIED MODEL	RESTRICTION/REMARKS	
								A	B
133		8-98061-489-1		1312-1403	R	01	A		
		8-98061-489-1		1404-	R	01	AB	(B)	
136		BOLT; CAB LK 0-28650-820-0		1312-1403		08	A		(B)
		0-28650-820-0		1404-		08	AB	M8X20 FLANGE IDN	
137		CONTROL UNIT; CAB LOCK 8-97587-592-5		1312-1403		01	A		
		8-97587-592-5		1404-		01	AB		
138		BOLT; CAB LOCK CONT UNIT 0-28650-820-0		1312-1403		04	A		
		0-28650-820-0		1404-		04	AB	M8X20 FLANGE IDN	
141		PIN; SNAP,CAB LOCK ROD 8-98039-045-1		1312-1403		02	A		(A) L=25.3
		8-98039-045-1		1404-		02	AB		(A) L=25.3
		8-98062-280-0		1312-1403		02	A		(B) L=32.6
		8-98062-280-0		1404-		02	AB		(B) L=32.6
142		ROD; HOOK TO HOOK 8-97587-990-0		1312-1403		01	A		
		8-97587-990-0		1404-		01	AB		
143		NUT; JAW JOINT,HOOK TO HOOK 0-91110-510-0		1312-1403		02	A		M10
		0-91110-510-0		1404-		02	AB		M10
146		BRACKET ASM; CAB STAY UPR 8-98019-506-0		1312-1403		01	A		
		8-98019-506-0		1404-		01	AB		
148		JOINT; JAW,HOOK TO HOOK 8-97410-736-0		1312-1403		01	A		
		8-97410-736-0		1404-		01	AB		
149		HANDLE; TILT 8-98025-707-3		1312-1403		01	A		IDN
		8-98025-707-3		1404-		01	AB		IDN
150		BOLT; TILT HANDLE 0-28650-820-0		1312-1403		04	A		
		0-28650-820-0		1404-		04	AB	M8X20 FLANGE IDN	
170		NUT 8-97022-565-0		1312-1403		01	A		(A) ID=7.9 PUSH NUT
		8-97022-565-0		1404-		01	AB		(A) ID=7.9 PUSH NUT
		8-97022-566-0		1312-1403		02	A		(B) ID=9.9 PUSH NUT
		8-97022-566-0		1404-		02	AB		(B) ID=9.9 PUSH NUT
223		WASHER; PL,SAFETY LK							

5-15

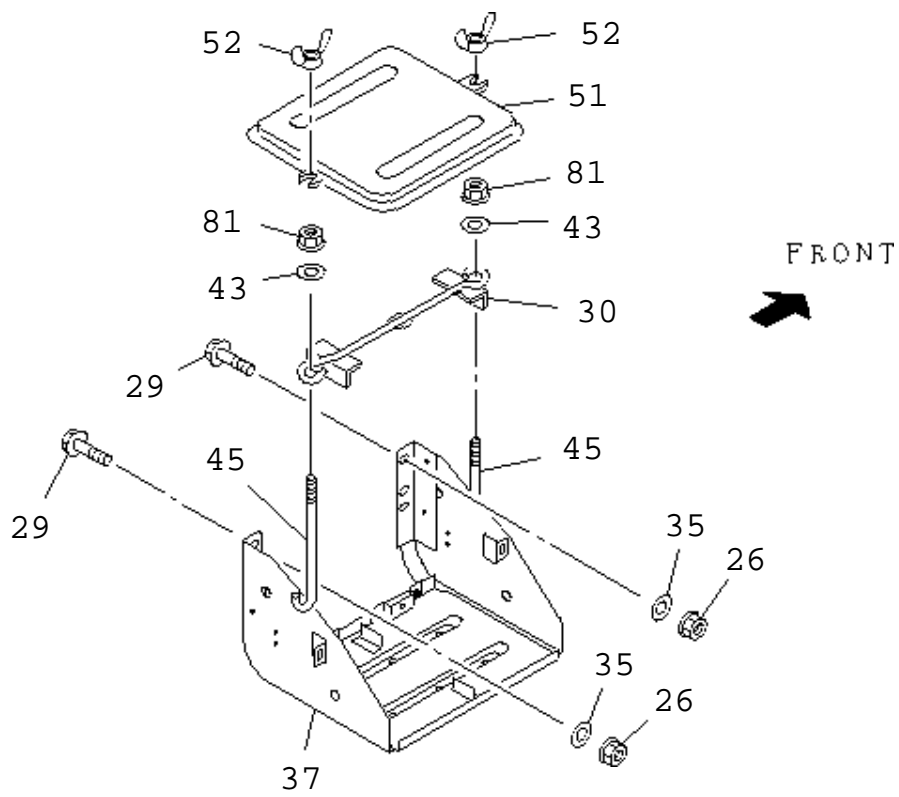
CAB MOUNTING; CAB SIDE

KEY	R / C	PART NAME PART NUMBER	I T C	APPLIED DATE	L / R	Qty	APPLIED MODEL	RESTRICTION/REMARKS	
								A	B
223		0-91610-508-0		1312-1403		01	A	A	FVZ WIDE CAB(FGZ5MV)
		0-91610-508-0		1404-		01	AB	B	GVZ WIDE CAB(GGZ5MV)
		0-91610-516-0		1312-1403		01	A	(B)	ID=8.4 OD=16
		0-91610-516-0		1404-		01	AB	(B)	ID=8.4 OD=16
		0-91610-516-0		1404-		01	AB	(A)	ID=17 OD=30
		0-91610-516-0		1404-		01	AB	(A)	ID=17 OD=30
225		BOLT; SAFETY LK 0-28050-830-0		1312-1403		01	A		
		0-28050-830-0		1404-		01	AB		M8X30 FLANGE
226		NUT; SAFETY LK 0-91110-508-0		1312-1403		01	A		M8X30 FLANGE
		0-91110-508-0		1404-		01	AB		M8 IDN
228		PIN; SAFETY LOCK SPRING,CAB STAY 1-09744-086-2		1312-1403		01	A		
		1-09744-086-2		1404-		01	AB		
229		PIN ASM; SAFETY 1-62500-517-1		1312-1403		01	A		
		1-62500-517-1		1404-		01	AB		
231		SPRING; RETURN,LOCK LEVER,CAB STAY 1-09583-244-0		1312-1403		01	A		
		1-09583-244-0		1404-		01	AB		
238		LOCK ASM; SAFETY,CAB TILT 8-98048-899-1		1312-1403		01	A		
		8-98048-899-1		1404-		01	AB		
239		BOLT; SAFETY LK 0-28650-820-0		1312-1403		02	A		M8X20 FLANGE IDN
		0-28650-820-0		1404-		02	AB		M8X20 FLANGE IDN
245		BUSHING; CAB STAY 1-62500-587-0		1312-1403		06	A		(A)
		1-62500-587-0		1404-		06	AB		(A)
		1-62500-588-0		1312-1403		04	A		(B)
		1-62500-588-0		1404-		04	AB		(B)
276		ROD ASM; CAB LOCK,HOOK TO HOOK 8-98048-831-1		1312-1403		01	A		
		8-98048-831-1		1404-		01	AB		
324		BOLT; ADJUST 8-98004-319-1		1312-1403		01	A		M14X55
		8-98004-319-1		1404-		01	AB		M14X55
335		WASHER; CAB LOCK ROD 0-91610-508-0		1312-1403		01	A		(A) ID=8.4 OD=16
		0-91610-508-0		1404-		01	AB		(A) ID=8.4 OD=16
		0-91610-612-0		1312-1403		02	A		(B) ID=12.5 OD=26
		0-91610-612-0		1404-		02	AB		(B) ID=12.5 OD=26

5-15

CAB MOUNTING; CAB SIDE

KEY	R / C	PART NAME PART NUMBER	I T C	APPLIED DATE	L / R	Qty	APPLIED MODEL	RESTRICTION/REMARKS
								A FVZ WIDE CAB(FGZ5MV) B GVZ WIDE CAB(GGZ5MV)
335		8-98060-839-0		1312-1403		02	A	(C) ID=13 OD=22 IDN
		8-98060-839-0		1404-		02	AB	(C) ID=13 OD=22 IDN
337		CLIP; CAB LOCK 8-97173-307-0		1312-1403	L	02	A	L=155 IDN
		8-97173-307-0		1404-	L	02	AB	L=155 IDN
5-01		Move to 5-01						
5-10		Move to 5-10						
6-70		Move to 6-70						

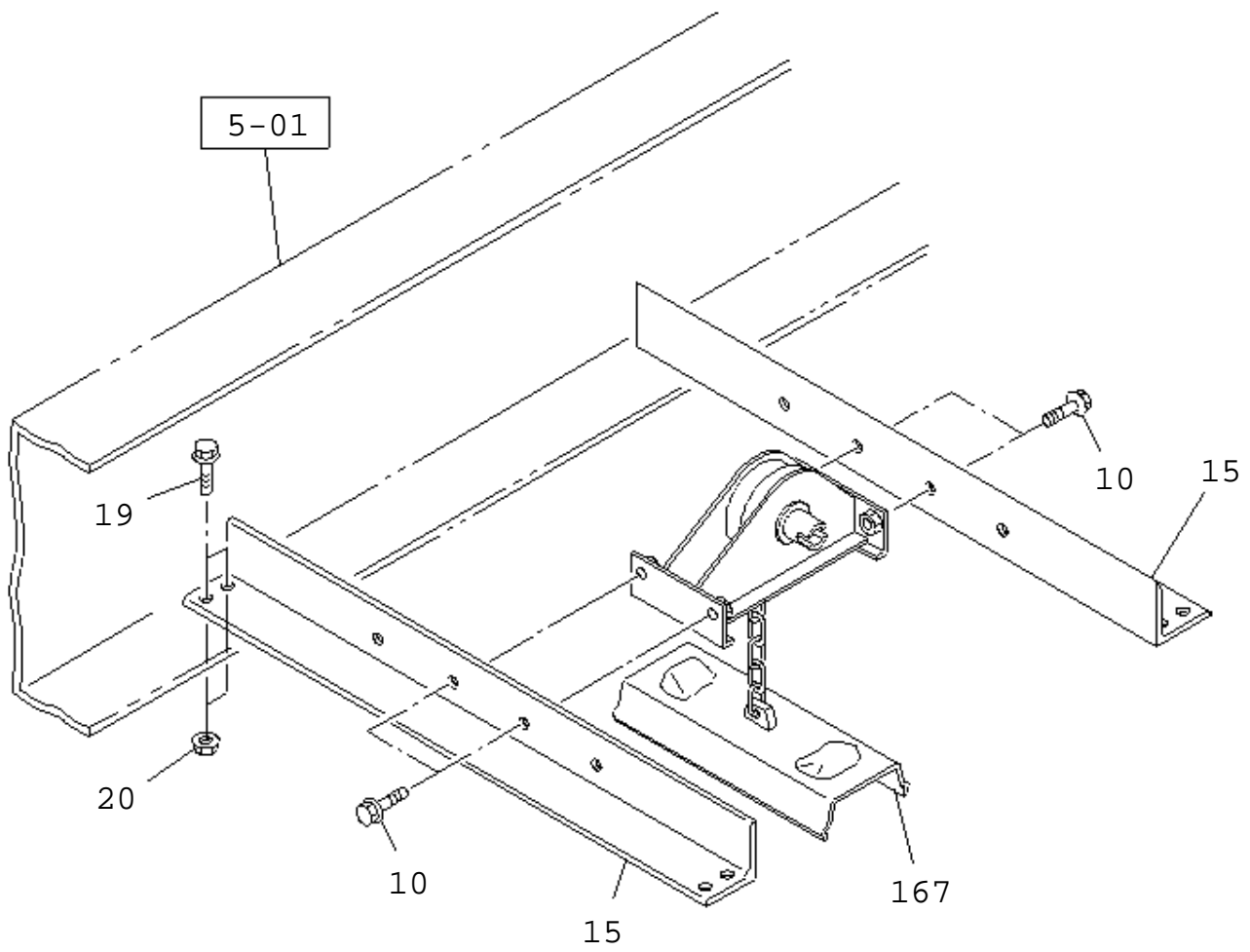


5-20

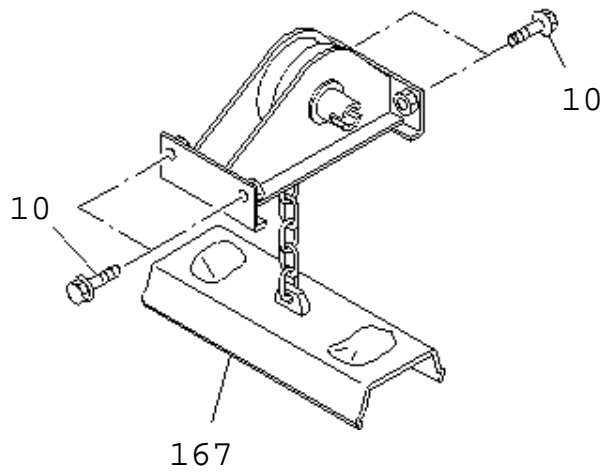
BATTERY CARRIER

KEY	R / C	PART NAME PART NUMBER	I T C	APPLIED DATE	Qty	APPLIED MODEL	RESTRICTION/REMARKS
							A FVZ WIDE CAB(FGZ5MV) B GVZ WIDE CAB(GGZ5MV)
26		NUT; BRKT 0-91180-210-0		1312-1403	04	A	
		0-91180-210-0		1404-	04	AB	M10 FLANGE
29		BOLT; BRKT TO FRAME 0-28651-035-0		1312-1403	04	A	M10 FLANGE
		0-28651-035-0		1404-	04	AB	M10X35 FLANGE IDN
30		PLATE; BATTERY 5-53615-004-1		1312-1403	01	A	M10X35 FLANGE IDN
		5-53615-004-1		1404-	01	AB	IDN
35		WASHER; PL,BATTERY CARRIER 0-91614-610-0		1312-1403	04	A	ID=10.5 OD=22
		0-91614-610-0		1404-	04	AB	ID=10.5 OD=22
37		BRACKET; BATTERY 8-97384-068-2		1312-1403	01	A	BATTERY 65D23L<8EJ> IDN
		8-97384-068-2		1404-	01	AB	BATTERY 65D23L<8EJ> IDN
		8-97384-067-2		1312-1403	01	A	BATTERY 80D26L<TM1> IDN
		8-97384-067-2		1404-	01	AB	BATTERY 80D26L<TM1> IDN
43		WASHER; PL,CLAMP 0-91614-708-0		1312-1403	02	A	ID=8.4 OD=22 IDN
		0-91614-708-0		1404-	02	AB	ID=8.4 OD=22 IDN
45		ROD; TENSION,BATTERY 9-53616-615-0		1312-1403	02	A	IDN
		9-53616-615-0		1404-	02	AB	IDN
51		COVER; BATTERY 8-97120-747-0		1312-1403	01	A	IDN
		8-97120-747-0		1404-	01	AB	IDN
52		NUT; WING,COVER FIX 0-91118-408-0		1312-1403	02	A	M8 WING NUT IDN
		0-91118-408-0		1404-	02	AB	M8 WING NUT IDN
81		NUT; BATTERY 0-91180-108-0		1312-1403	02	A	M8 FLANGE
		0-91180-108-0		1404-	02	AB	M8 FLANGE

SPARE WHEEL CARRIER FRAME REAR



SPARE TIRE CARRIER LIFTING TYPE VARI



5-30

SPARE TIRE CARRIER AND COVER

KEY	R / C	PART NAME PART NUMBER	I T C	APPLIED DATE	Qty	APPLIED MODEL	RESTRICTION/REMARKS
							A FVZ WIDE CAB(FGZ5MV) B GVZ WIDE CAB(GGZ5MV)
10		BOLT; TIRE HANGER 0-28651-230-0		1312-1403	04	A	SPARE WHEEL CARRIER FRAME REAR(P10) M12X30 FLANGE SPARE WHEEL CARRIER FRAME REAR(P10) M12X30 FLANGE SPARE TIRE CARRIER LIFTING TYPE VAR1(SY8) M12X30 FLANGE
		0-28651-230-0		1404-	04	A	
		0-28651-230-0		1404-	04	B	
15		MEMBER; CROSS, SPARE TIRE 1-53631-395-1		1312-	02	A	SPARE WHEEL CARRIER FRAME REAR(P10)
19		BOLT; C/MBR 0-28051-040-0		1312-	08	A	SPARE WHEEL CARRIER FRAME REAR(P10) M10X40 FLANGE
20		NUT; C/MBR 0-91180-210-0		1312-	08	A	SPARE WHEEL CARRIER FRAME REAR(P10) M10 FLANGE
167		HANGER; TIRE 8-97948-022-0		1312-1403	01	A	SPARE WHEEL CARRIER FRAME REAR(P10) IDN
		8-97948-022-0		1404-	01	A	SPARE WHEEL CARRIER FRAME REAR(P10) IDN
		8-97948-022-0		1404-	01	B	SPARE TIRE CARRIER LIFTING TYPE VAR1(SY8) IDN
5-01		Move to 5-01					