

6-01

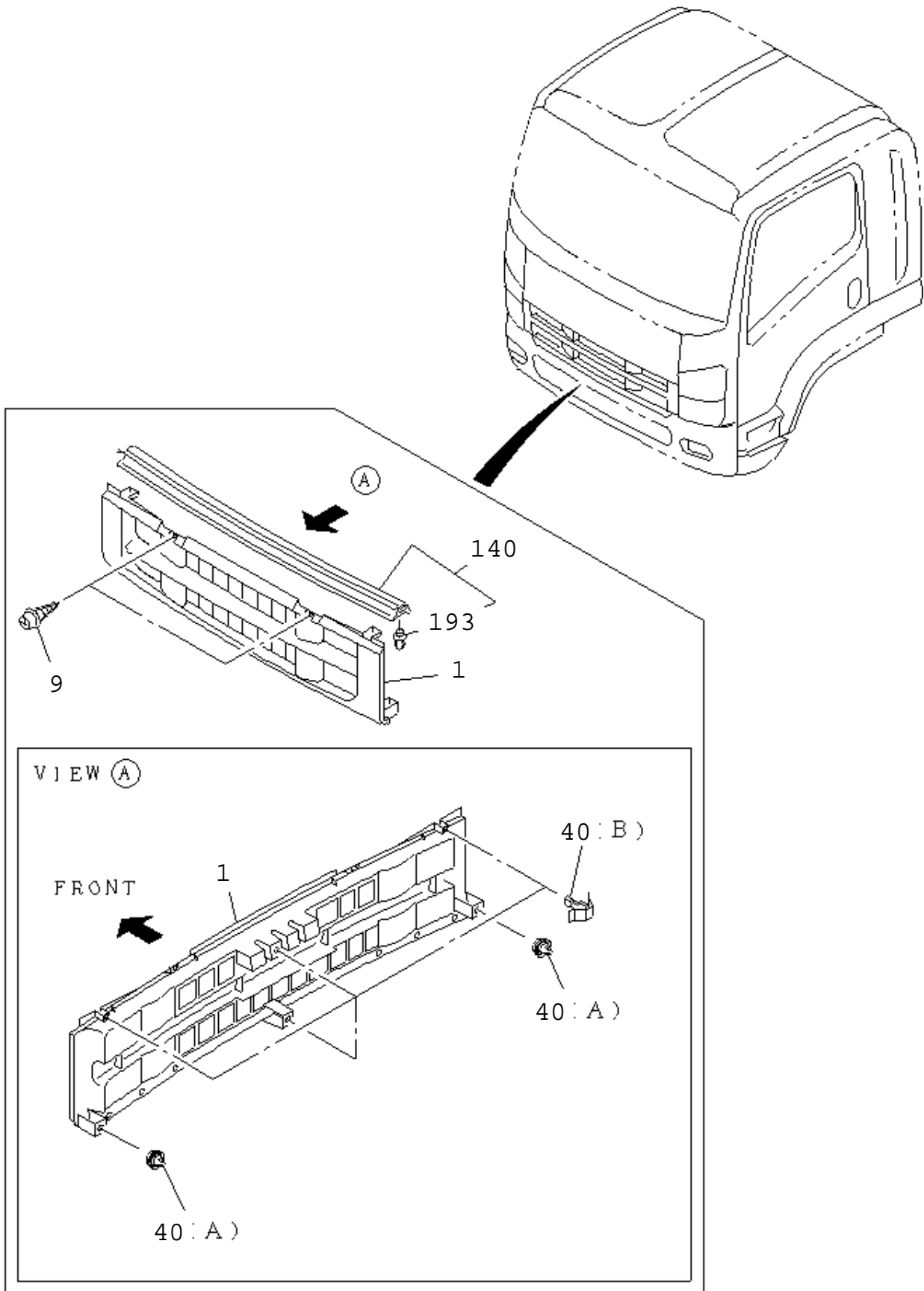
FRONT BUMPER

KEY	R / C	PART NAME PART NUMBER	I T C	APPLIED DATE	L / R	Qty	APPLIED MODEL	RESTRICTION/REMARKS	
								A	B
1	C	BUMPER ASM; FRT 8-97425-754-0		1312-1403		01	A	A	FVZ WIDE CAB(FGZ5MV)
		8-97425-754-0		1404-		01	AB	B	GVZ WIDE CAB(GGZ5MV)
30		BRACKET; FRT BUMPER 8-98205-745-0		1312-1403	L	01	A		WHITE
		8-98205-745-0		1404-	L	01	AB		WHITE
		8-98205-744-0		1312-1403	R	01	A		
		8-98205-744-0		1404-	R	01	AB		
32		BOLT; BRKT,BUMPER 0-28651-035-0		1312-1403		08	A		M10X35 FLANGE IDN
		0-28651-035-0		1404-		08	AB		M10X35 FLANGE IDN
34		NUT; BRKT,BUMPER 0-91180-210-0		1312-1403		08	A		M10 FLANGE
		0-91180-210-0		1404-		08	AB		M10 FLANGE
42		BOLT; BUMPER 8-94324-205-0		1312-1403		06	A		(A) M10X30
		8-94324-205-0		1404-		06	AB		(A) M10X30
		8-98098-459-0		1312-1403		04	A		(B) M6X16 FLANGE
		8-98098-459-0		1404-		04	AB		(B) M6X16 FLANGE
84		HOOK 1-57181-027-1		1312-1403	L	01	A		
		1-57181-027-1		1404-	L	01	AB		
93		WASHER; LK,HOOK 0-91510-816-0		1312-1403		02	A		ID=16.2
		0-91510-816-0		1404-		02	AB		ID=16.2
94		NUT; HOOK 0-91110-516-0		1312-1403		02	A		M16
		0-91110-516-0		1404-		02	AB		M16
103		NUT; BUMPER STEP 0-91180-106-0		1312-1403		04	A		M6 FLANGE
		0-91180-106-0		1404-		04	AB		M6 FLANGE
229		GROMMET 5-09983-007-0		1312-1403		02	A		D=7X7 L=7.5
		5-09983-007-0		1404-		02	AB		D=7X7 L=7.5
301		BOLT; HOOK TO FRAME 0-10961-670-0		1312-1403		02	A		M16X70
		0-10961-670-0		1404-		02	AB		M16X70
312		NUT; BRKT 0-91180-210-0		1312-1403		02	A		M10 FLANGE
		0-91180-210-0		1404-		02	AB		M10 FLANGE
321		COVER; BUMPER FRT SIDE 8-97616-291-1		1312-1403	L	01	A		
		8-97616-291-1		1404-	L	01	AB		
		8-97616-290-1		1312-1403	R	01	A		
		8-97616-290-1		1404-	R	01	AB		
322		SCREW; COVER FIX							

6-01

FRONT BUMPER

KEY	R / C	PART NAME PART NUMBER	I T C	APPLIED DATE	L / R	Qty	APPLIED MODEL	RESTRICTION/REMARKS
								A FVZ WIDE CAB(FGZ5MV) B GVZ WIDE CAB(GGZ5MV)
322		0-72180-516-0		1312-1403		02	A	
		0-72180-516-0		1404-		02	AB	M5X16 TAPPING
5-01		Move to 5-01						M5X16 TAPPING

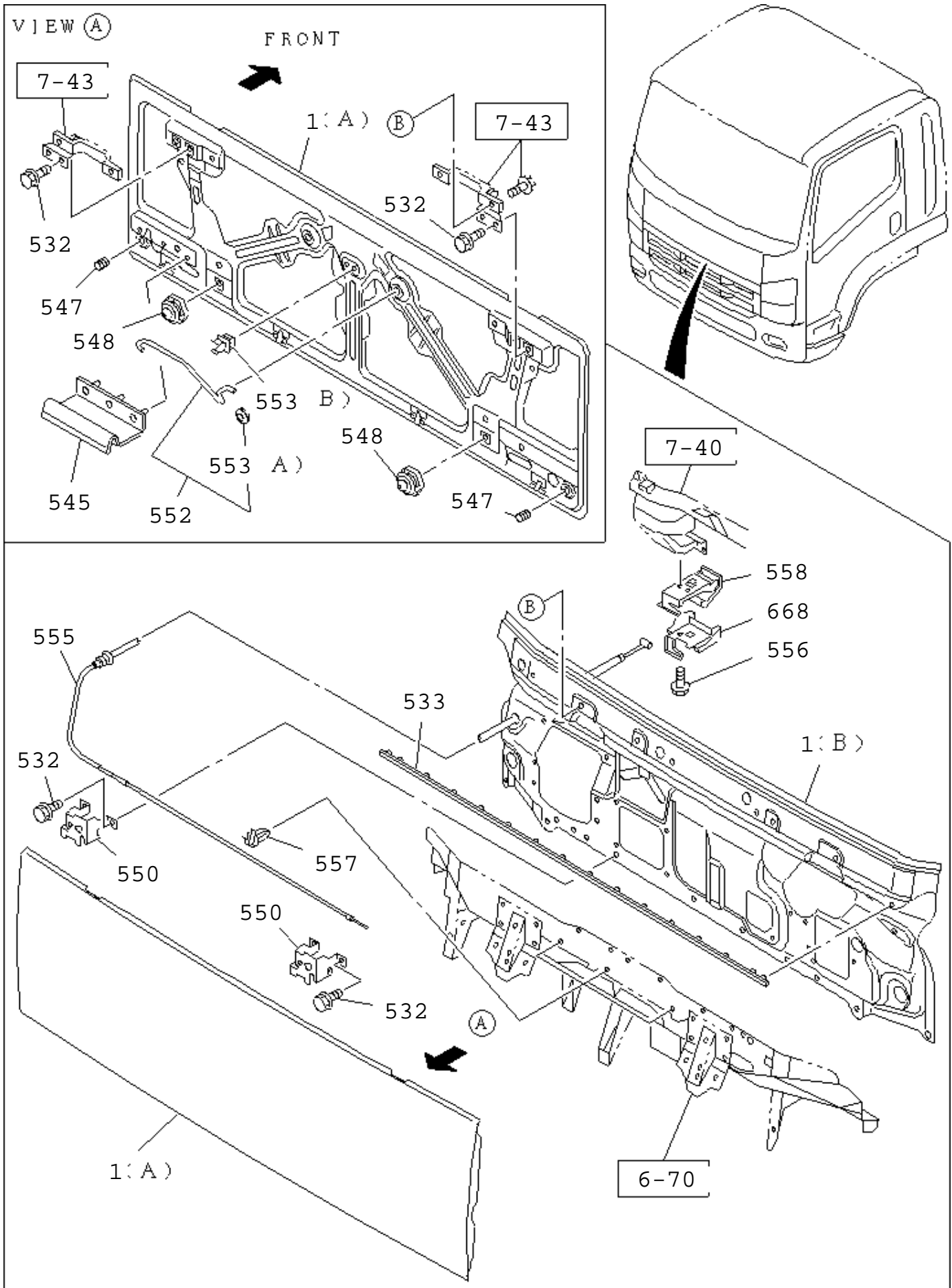


6-03

RADIATOR GRILLE

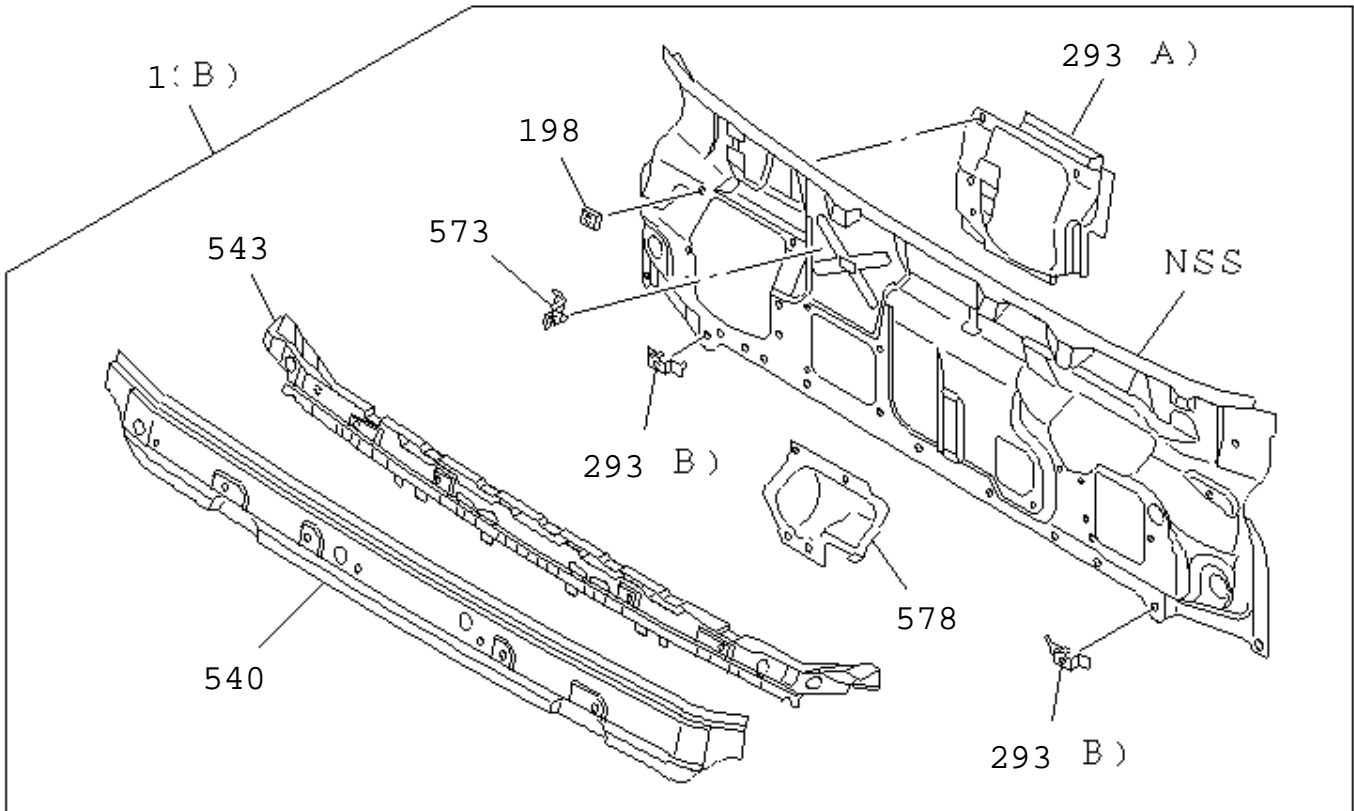
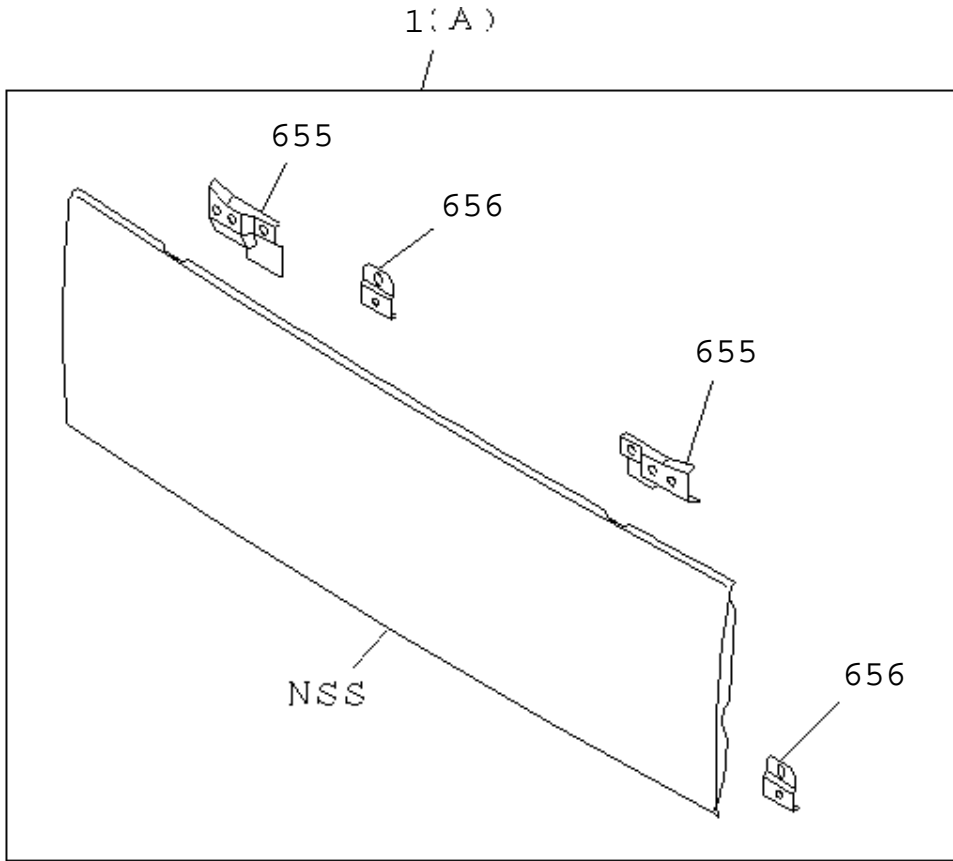
KEY	R / C	PART NAME PART NUMBER	I T C	APPLIED DATE	Qty	APPLIED MODEL	RESTRICTION/REMARKS
							A FVZ WIDE CAB (FGZ5MV) B GVZ WIDE CAB (GGZ5MV)
1	C	GRILLE; RAD 8-98040-997-6		1312-1403	01	A	
		8-98040-997-6		1404-	01	AB	DARK GRAY
9		SCREW; RAD GRILLE 0-74160-516-0		1312-1403	02	A	DARK GRAY
		0-74160-516-0		1404-	02	AB	M5X16 TAPPING W/PL WASHER IDN
40		CLIP; RAD GRILLE 8-97581-651-2		1312-1403	02	A	M5X16 TAPPING W/PL WASHER IDN
		8-97581-651-2		1404-	02	AB	(A)
		8-98025-698-0		1312-1403	04	A	(A)
		8-98025-698-0		1404-	04	AB	(B)
140		SEAL; RAD GRILLE 8-98060-340-0		1312-1403	01	A	(B)
		8-98060-340-0		1404-	01	AB	
193		CLIP; SEAL 8-98027-457-0		1312-1403	13	A	NATURAL IDN
		8-98027-457-0		1404-	13	AB	NATURAL IDN

6-05 FRONT PANEL
FRONT PANEL AND OTHER PARTS

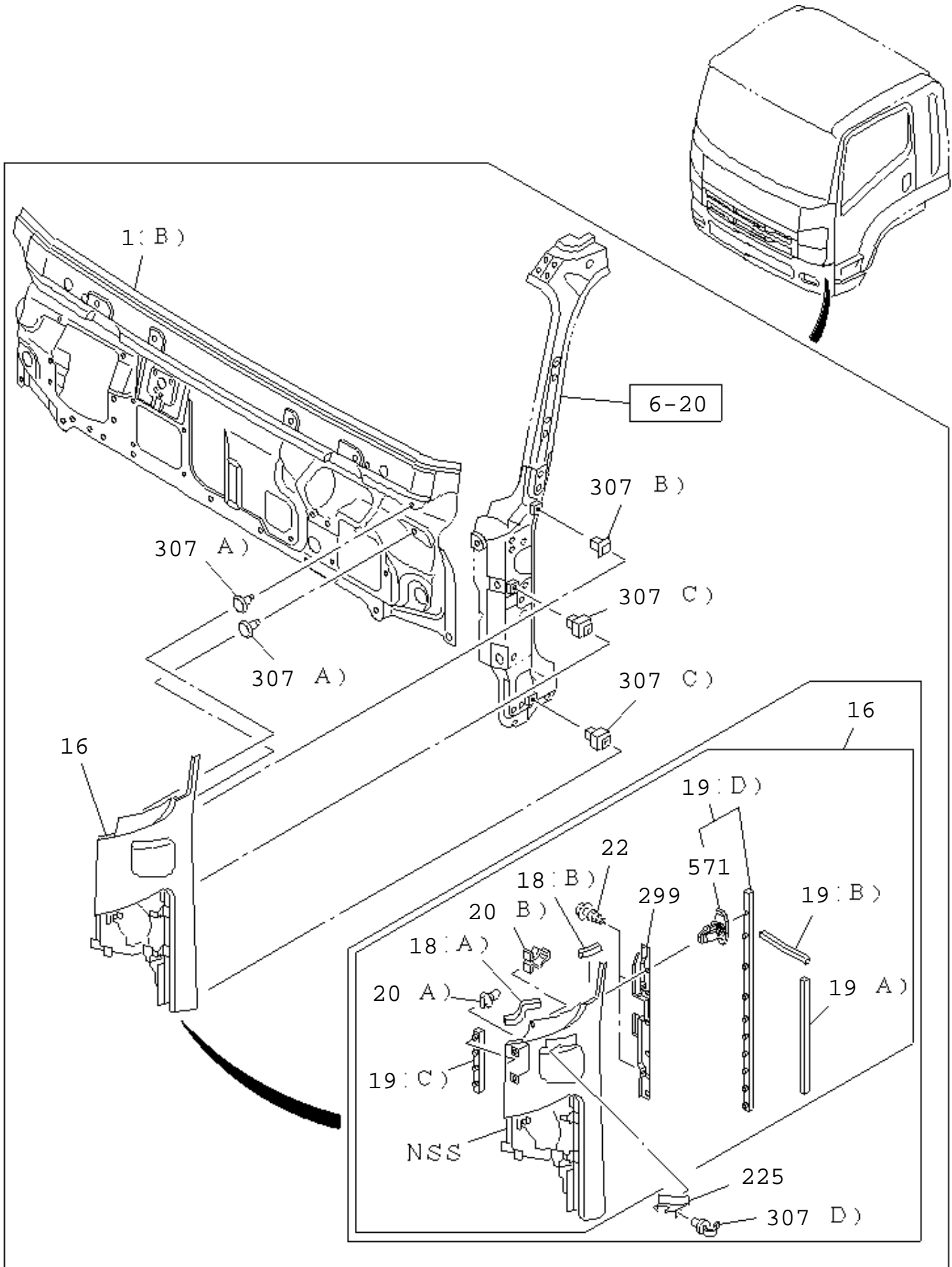


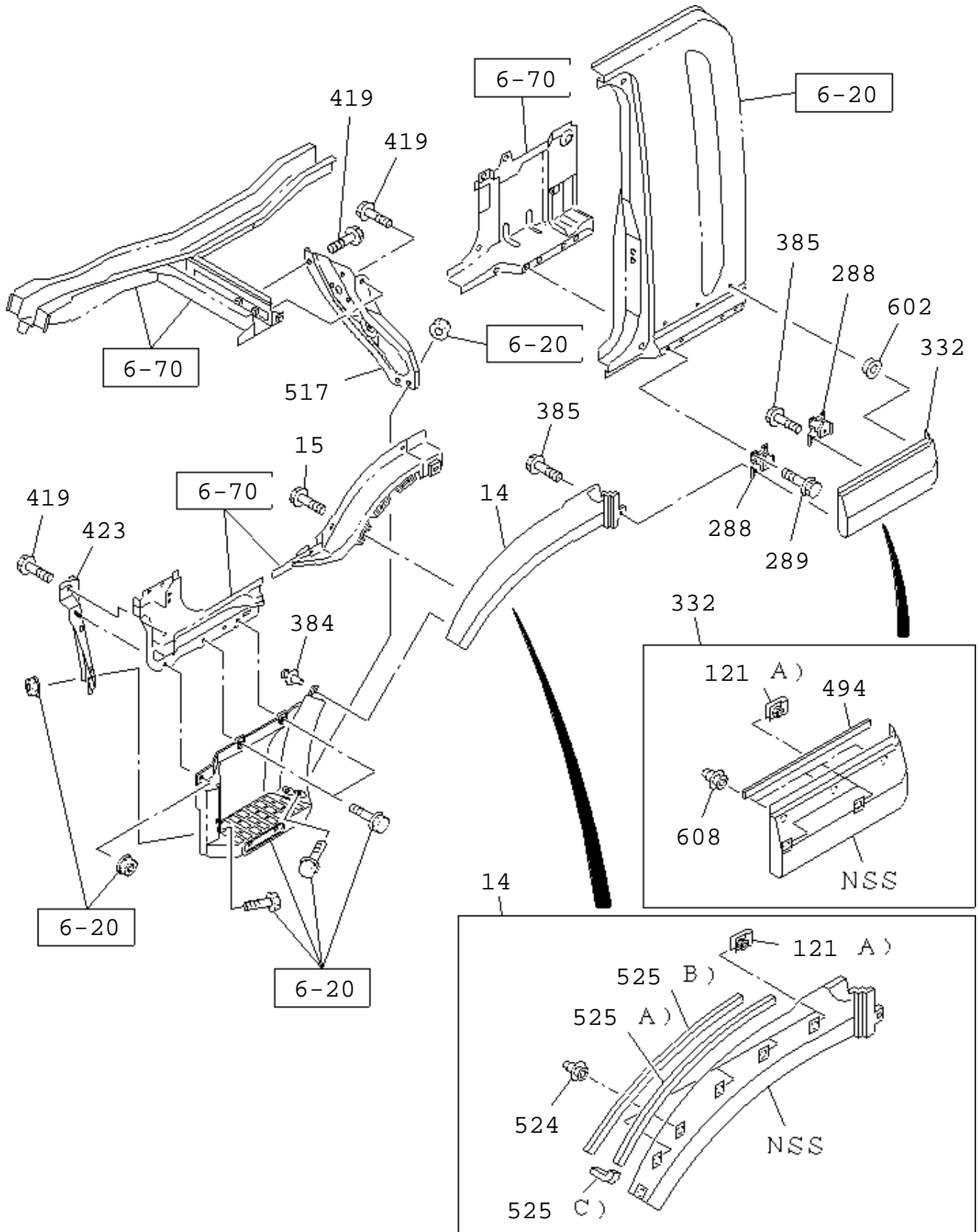
6-05 FRONT PANEL

FRONT PANEL COMPONENT

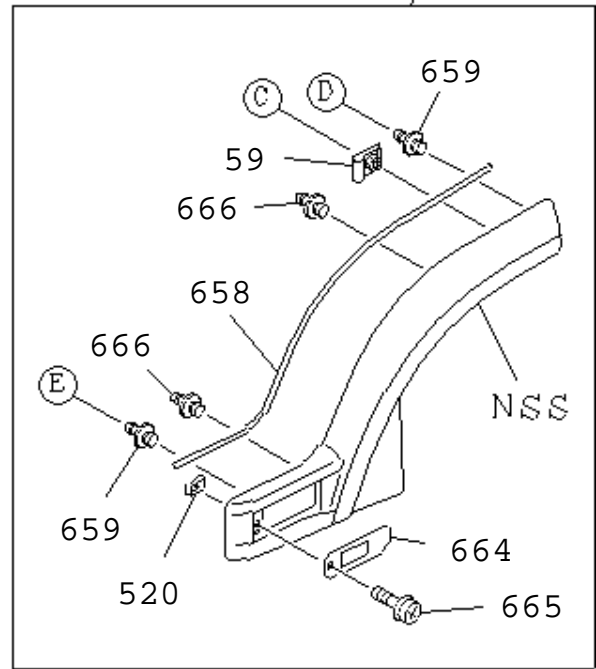
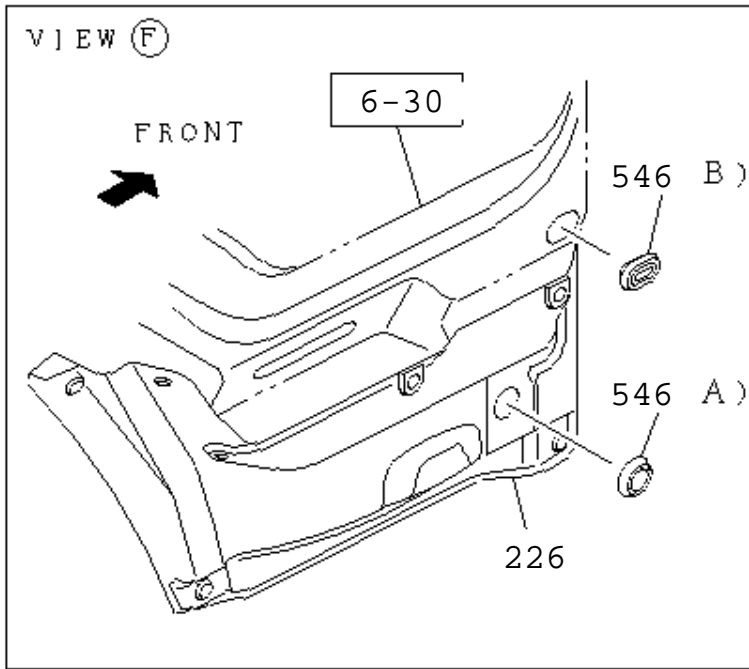
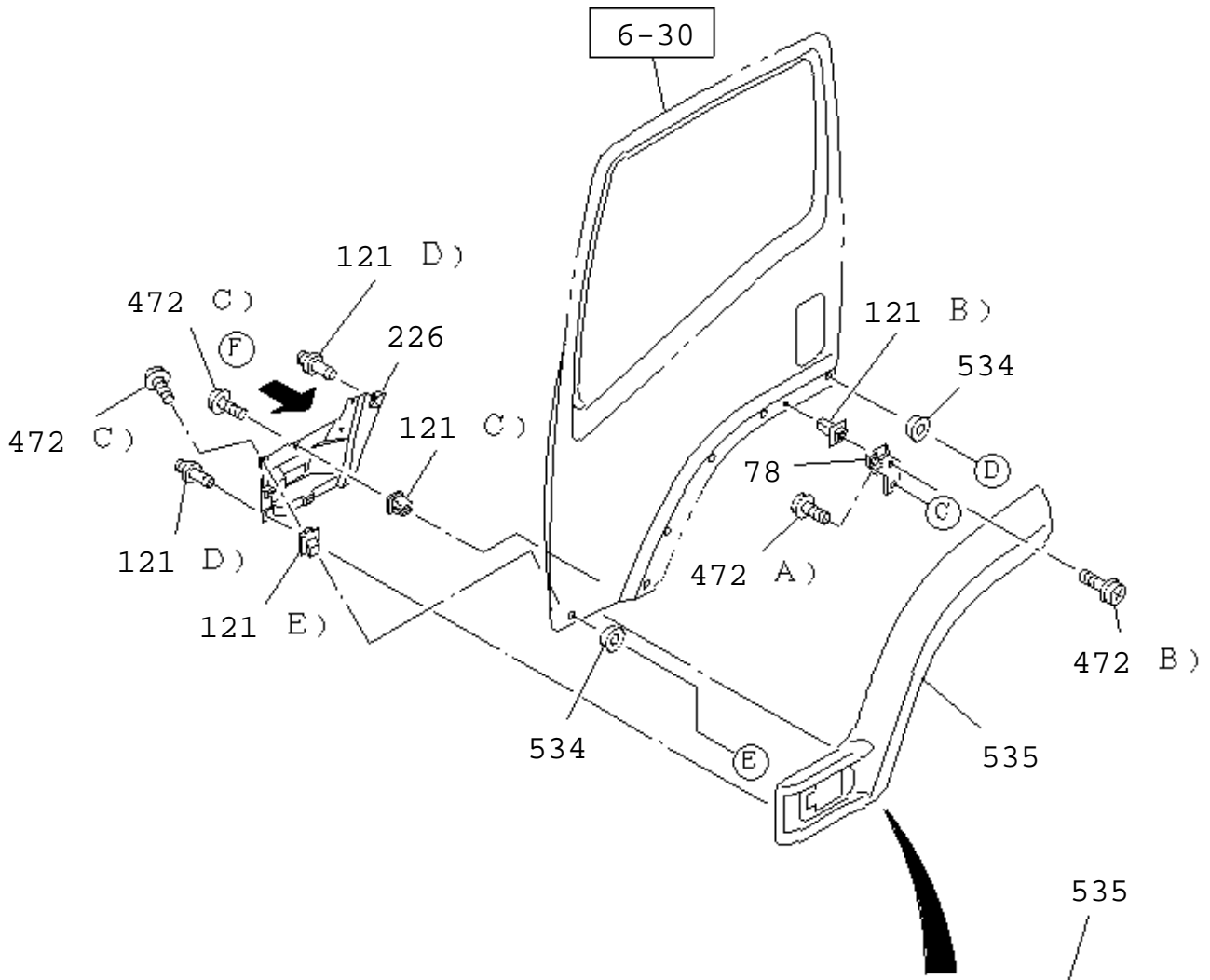


6-05 FRONT PANEL
FRONT SIDE PANEL





**6-05 FRONT PANEL
PROTECTOR AND BLISTER FENDER**



6-05

FRONT PANEL

KEY	R / C	PART NAME PART NUMBER	I T C	APPLIED DATE	L / R	Qty	APPLIED MODEL	RESTRICTION/REMARKS	
								A	B
1	C	PANEL ASM; FRT 8-97585-960-9		1312-1403		01	A		
		8-97585-960-9		1404-		01	AB	(B)	
		8-98030-234-4		1312-1403		01	A	(B)	
		8-98030-234-4		1404-		01	AB	(A)	
14	C	FENDER; FRT 8-98182-321-0		1312-1403	L	01	A		
		8-98182-321-0		1404-	L	01	AB		
		8-98182-320-0		1312-1403	R	01	A		
		8-98182-320-0		1404-	R	01	AB		
15		BOLT; FENDER 8-98059-504-0		1312-1403		06	A		
		8-98059-504-0		1404-		06	AB	M6X20 W/PL WASHER	
16	C	PANEL; FRONT, SIDE 8-97407-511-5		1312-1403	L	01	A		
		8-97407-511-5		1404-	L	01	AB	WHITE IDN	
		8-97407-509-4		1312-1403	R	01	A	WHITE IDN	
		8-97407-509-4		1404-	R	01	AB	WHITE IDN	
18		SEAL; A-POST UPR, FRT SIDE PANEL 8-98038-608-0		1312-1403		02	A		
		8-98038-608-0		1404-		02	AB	(B) IDN	
		8-98043-511-1		1312-1403		02	A	(B) IDN	
		8-98043-511-1		1404-		02	AB	(A) IDN	
19		SEAL; FRT SIDE PANEL 8-98035-268-0		1312-1403		02	A		
		8-98035-268-0		1404-		02	AB	(B) IDN	
		8-98062-215-0		1312-1403		02	A	(A) IDN	
		8-98062-215-0		1404-		02	AB	(A) IDN	
		8-98036-581-0		1312-1403	L	01	A	(C)	
		8-98036-581-0		1404-	L	01	AB	(C)	
		8-98041-359-2		1312-1403	L	01	A	(D)	
		8-98041-359-2		1404-	L	01	AB	(D)	
		8-98036-580-0		1312-1403	R	01	A	(C)	
		8-98036-580-0		1404-	R	01	AB	(C)	
		8-98041-358-2		1312-1403	R	01	A	(D)	
		8-98041-358-2		1404-	R	01	AB	(D)	

6-05

FRONT PANEL

KEY	R / C	PART NAME PART NUMBER	I T C	APPLIED DATE	L / R	Qty	APPLIED MODEL	RESTRICTION/REMARKS	
								A	B
20		CLIP; FRT PANEL SIDE 8-97410-739-0		1312-1403		04	A		
		8-97410-739-0		1404-		04	AB	(A)	IDN
		8-97410-740-2		1312-1403		02	A	(A)	IDN
		8-97410-740-2		1404-		02	AB	(B)	
22		SCREW; FRT PANEL SIDE 0-74360-410-0		1312-1403		06	A	(B)	
		0-74360-410-0		1404-		06	AB		M4X10 TAPPING W/PL WASHER IDN
59		GROMMET; SCREW 8-94279-723-0		1312-1403		02	A		
		8-94279-723-0		1404-		02	AB		
78		BRACKET; FENDER 8-98041-166-1		1312-1403	L	01	A		
		8-98041-166-1		1404-	L	01	AB		
		8-98041-165-1		1312-1403	R	01	A		
		8-98041-165-1		1404-	R	01	AB		
121		GROMMET; FENDER 8-94279-078-0		1312-1403		06	A		(C)
		8-94279-078-0		1404-		06	AB		D=8.6X7.7 L=7.5 IDN
		8-94279-723-0		1312-1403		04	A	(C)	
		8-94279-723-0		1404-		04	AB	(A)	
		8-94279-723-0		1312-1403		06	A	(A)	
		8-94279-723-0		1404-		06	AB	(A)	
		8-94279-989-0		1312-1403		12	A	(A)	
		8-94279-989-0		1404-		12	AB	(D)	OD=8.3 IDN
		8-94463-268-1		1312-1403		04	A	(D)	OD=8.3 IDN
		8-94463-268-1		1404-		04	AB	(B)	H=15 IDN
		8-98073-421-0		1312-1403	L	01	A	(B)	H=15 IDN
		8-98073-421-0		1404-	L	01	AB	(E)	
		8-98073-420-0		1312-1403	R	01	A	(E)	
		8-98073-420-0		1404-	R	01	AB	(E)	
198		NUT; PANEL 9-09114-086-0		1312-1403		02	A	(E)	
		9-09114-086-0		1404-		02	AB		M6
225		COVER; SIDE, FRT 8-98041-431-1		1312-1403	L	01	A		M6

6-05

FRONT PANEL

KEY	R / C	PART NAME PART NUMBER	I T C	APPLIED DATE	L / R	Qty	APPLIED MODEL	RESTRICTION/REMARKS	
								A	B
225		8-98041-431-1		1404-	L	01	AB		
226		PROTECTOR; FRT 8-98037-715-2		1312-1403	L	01	A		
		8-98037-715-2		1404-	L	01	AB		
		8-98037-714-2		1312-1403	R	01	A		
		8-98037-714-2		1404-	R	01	AB		
288		BRACKET; FENDER SKIRT 8-98041-162-1		1312-1403		04	A		
		8-98041-162-1		1404-		04	AB		
289		BOLT; FENDER SKIRT BRKT 0-28650-616-0		1312-1403		08	A		M6X16 FLANGE
		0-28650-616-0		1404-		08	AB		M6X16 FLANGE
293		BRACKET; PANEL 8-97586-007-3		1312-1403		01	A		(A)
		8-97586-007-3		1404-		01	AB		(A)
		8-98008-124-1		1312-1403	L	01	A		(B)
		8-98008-124-1		1404-	L	01	AB		(B)
		8-98008-126-1		1312-1403	R	01	A		(B)
		8-98008-126-1		1404-	R	01	AB		(B)
299		COVER; FRT PANEL SIDE 8-98034-814-1		1312-1403	L	01	A		
		8-98034-814-1		1404-	L	01	AB		
		8-98034-813-1		1312-1403	R	01	A		
		8-98034-813-1		1404-	R	01	AB		
307		GROMMET; FRT PANEL 8-97410-738-0		1312-1403		02	A		(B) IDN
		8-97410-738-0		1404-		02	AB		(B) IDN
		8-98021-300-1		1312-1403		04	A		(C) IDN
		8-98021-300-1		1404-		04	AB		(C) IDN
		8-98034-363-1		1312-1403		04	A		(A) IDN
		8-98034-363-1		1404-		04	AB		(A) IDN
		8-98028-743-0		1312-1403	L	01	A		(D) IDN
		8-98028-743-0		1404-	L	01	AB		(D) IDN
332		FENDER; RR 8-98038-435-2		1312-1403	L	01	A		
		8-98038-435-2		1404-	L	01	AB		
		8-98038-434-2		1312-1403	R	01	A		
		8-98038-434-2		1404-	R	01	AB		
384		CLIP; FENDER LWR 1-09987-248-1		1312-1403		02	A		D8X13.5
		1-09987-248-1		1404-		02	AB		D8X13.5
385		SCREW; FENDER LWR 8-98059-504-0		1312-1403		04	A		M6X20 W/PL WASHER
		8-98059-504-0		1404-		04	AB		M6X20 W/PL WASHER
419		BOLT; STEP							

6-05

FRONT PANEL

KEY	R / C	PART NAME PART NUMBER	I T C	APPLIED DATE	L / R	Qty	APPLIED MODEL	RESTRICTION/REMARKS	
								A	B
419		0-28650-820-0		1312-1403		08	A		A FVZ WIDE CAB(FGZ5MV)
		0-28650-820-0		1404-		08	AB		B GVZ WIDE CAB(GGZ5MV)
423		SUPPORT ASM; STEP 8-98037-336-1 8-98037-336-1 8-98037-335-1 8-98037-335-1		1312-1403 1404- 1312-1403 1404-	L L R R	01 01 01 01	A AB A AB		M8X20 FLANGE IDN M8X20 FLANGE IDN
472		SCREW; FENDER TO CAB 8-98059-505-0		1312-1403		02	A		(A) M6X18 TAPPING
		8-98059-505-0		1404-		02	AB		(A) M6X18 TAPPING
		8-98090-737-0		1312-1403		08	A		(C) M5X16
		8-98090-737-0		1404-		08	AB		(C) M5X16
		8-98093-669-0		1312-1403		04	A		(B) M5X12
		8-98093-669-0		1404-		04	AB		(B) M5X12
494		FINISHER; FENDER 8-98072-723-0 8-98072-723-0 8-98041-172-1 8-98041-172-1		1312-1403 1404- 1312-1403 1404-	L L R R	01 01 01 01	A AB A AB		
517		SUPPORT; STEP PANEL 8-98037-351-2 8-98037-351-2 8-98037-350-2 8-98037-350-2		1312-1403 1404- 1312-1403 1404-	L L R R	01 01 01 01	A AB A AB		
520		NUT; FENDER 8-94279-501-0 8-94279-501-0		1312-1403 1404-		02 02	A AB		
524		CLIP; FENDER COVER 8-94279-974-1		1312-1403		02	A		OD=7.9 BLACK
		8-94279-974-1		1404-		02	AB		OD=7.9 BLACK
525		SEAL; FENDER 8-98061-760-0		1312-1403		02	A		(A) UPPER
		8-98061-760-0		1404-		02	AB		(A) UPPER
		8-98061-761-0		1312-1403		02	A		(B) LOWER
		8-98061-761-0		1404-		02	AB		(B) LOWER
		8-98061-762-0		1312-1403		02	A		(C)
		8-98061-762-0		1404-		02	AB		(C)
532		BOLT; FRT PANEL 0-28650-820-0		1312-1403		08	A		M8X20 FLANGE IDN
		0-28650-820-0		1404-		08	AB		M8X20 FLANGE IDN
533		SEAL; FRT PANEL 8-98096-289-0		1312-1403		01	A		IDN
		8-98096-289-0		1404-		01	AB		IDN
534		FASTENER							IDN

6-05

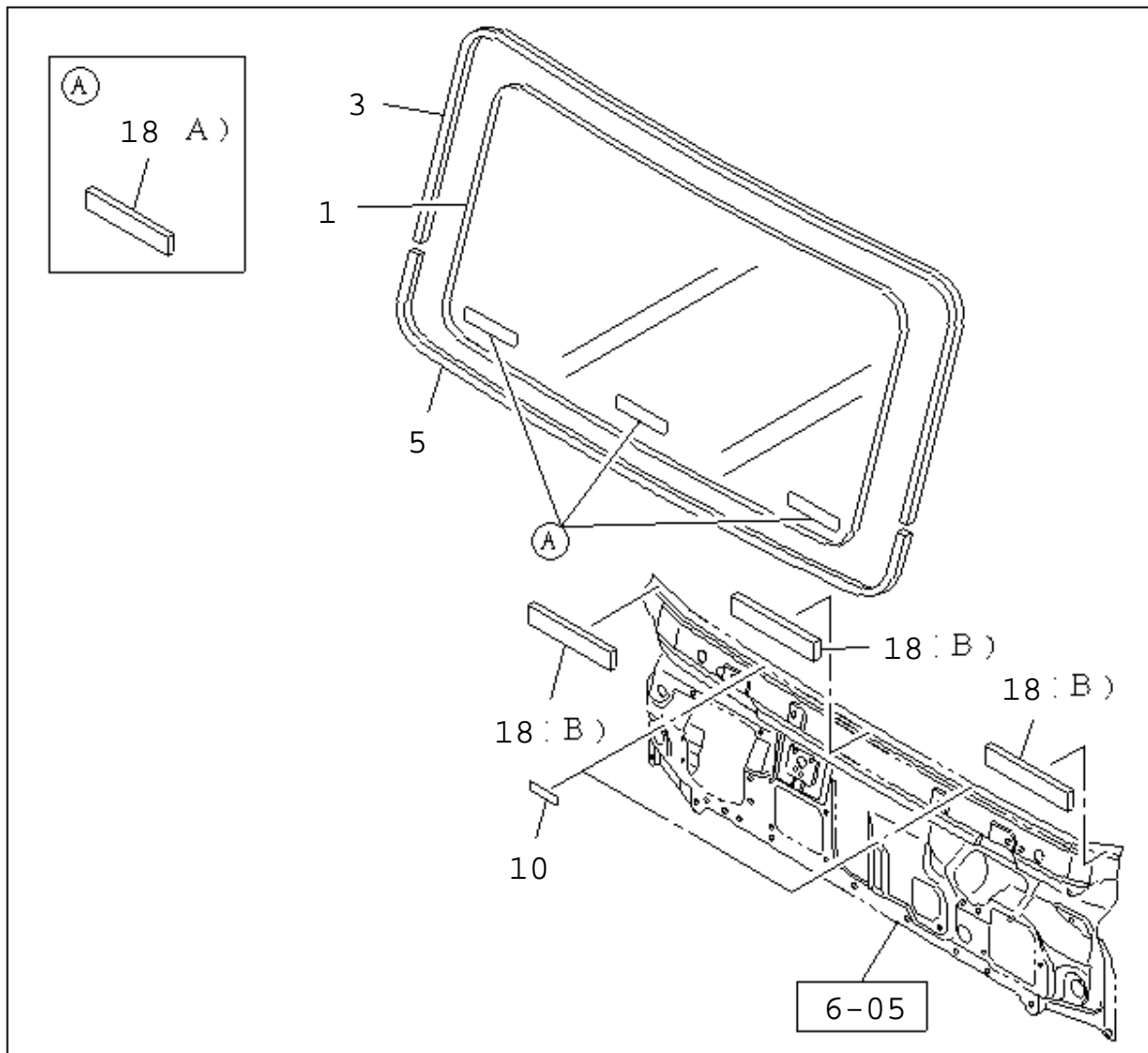
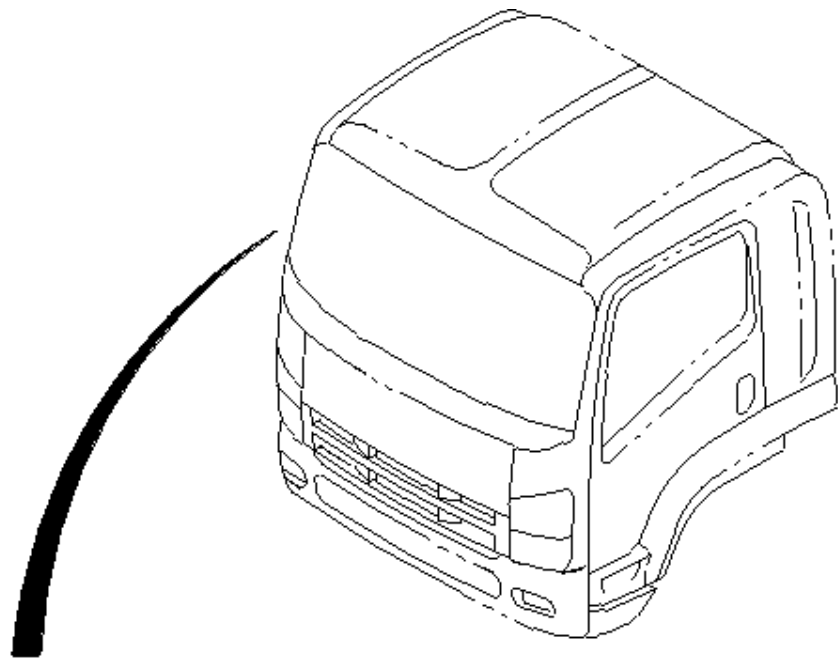
FRONT PANEL

KEY	R / C	PART NAME PART NUMBER	I T C	APPLIED DATE	L / R	Qty	APPLIED MODEL	RESTRICTION/REMARKS	
								A	B
534		8-98241-984-0		1312-1403		12	A		
		8-98241-984-0		1404-		12	AB		ID=5.4 OD=6.8
535		FENDER; BLISTER							ID=5.4 OD=6.8
		8-98106-503-0		1312-1403	L	01	A		
		8-98106-503-0		1404-	L	01	AB		
		8-98106-502-0		1312-1403	R	01	A		
		8-98106-502-0		1404-	R	01	AB		
540		PANEL; FRONT, OUTER							
		8-97585-966-2		1312-1403		01	A		
		8-97585-966-2		1404-		01	AB		
543		CLOSING; FRT MTG RAIL							
		8-97585-990-4		1312-1403		01	A		
		8-97585-990-4		1404-		01	AB		
545		SEAL; FRT LID							
		8-98123-265-0		1312-1403		01	A		IDN
		8-98123-265-0		1404-		01	AB		IDN
546		PLUG; DUMMY HOLE							
		8-94159-507-0		1312-1403		02	A		(A) OD=38
		8-94159-507-0		1404-		02	AB		(A) OD=38
		8-94430-184-1		1312-1403		02	A		(B) IDN
		8-94430-184-1		1404-		02	AB		(B) IDN
547		RUBBER; CUSHION							
		8-94324-556-2		1312-1403		02	A		OD=22 L=29
		8-94324-556-2		1404-		02	AB		OD=22 L=29
548		STRIKER; FRT LID PANEL							
		8-98068-145-1		1312-1403		02	A		
		8-98068-145-1		1404-		02	AB		
550		LOCK ASM; FRT LID							
		8-98036-569-2		1312-1403		02	A		
		8-98036-569-2		1404-		02	AB		
552		STAY; FRT LID							
		8-98089-838-0		1312-1403		01	A		
		8-98089-838-0		1404-		01	AB		
553		CLIP; STAY							
		8-97031-428-0		1312-1403		01	A		(B)
		8-97031-428-0		1404-		01	AB		(B)
		8-98071-399-0		1312-1403		01	A		(A)
		8-98071-399-0		1404-		01	AB		(A)
555		CABLE; FRT LID							
		8-98036-574-1		1312-1403		01	A		
		8-98036-574-1		1404-		01	AB		
556		BOLT; CABLE							
		0-28650-616-0		1312-1403		01	A		M6X16 FLANGE
		0-28650-616-0		1404-		01	AB		M6X16 FLANGE
557		CLIP; CABLE							
		8-94128-483-0		1312-1403		03	A		ID=4.8
		8-94128-483-0		1404-		03	AB		ID=4.8
558		LEVER; FRT LID							
		1-79338-007-0		1312-1403		01	A		
		1-79338-007-0		1404-		01	AB		
571		CLIP; SEAL							

6-05

FRONT PANEL

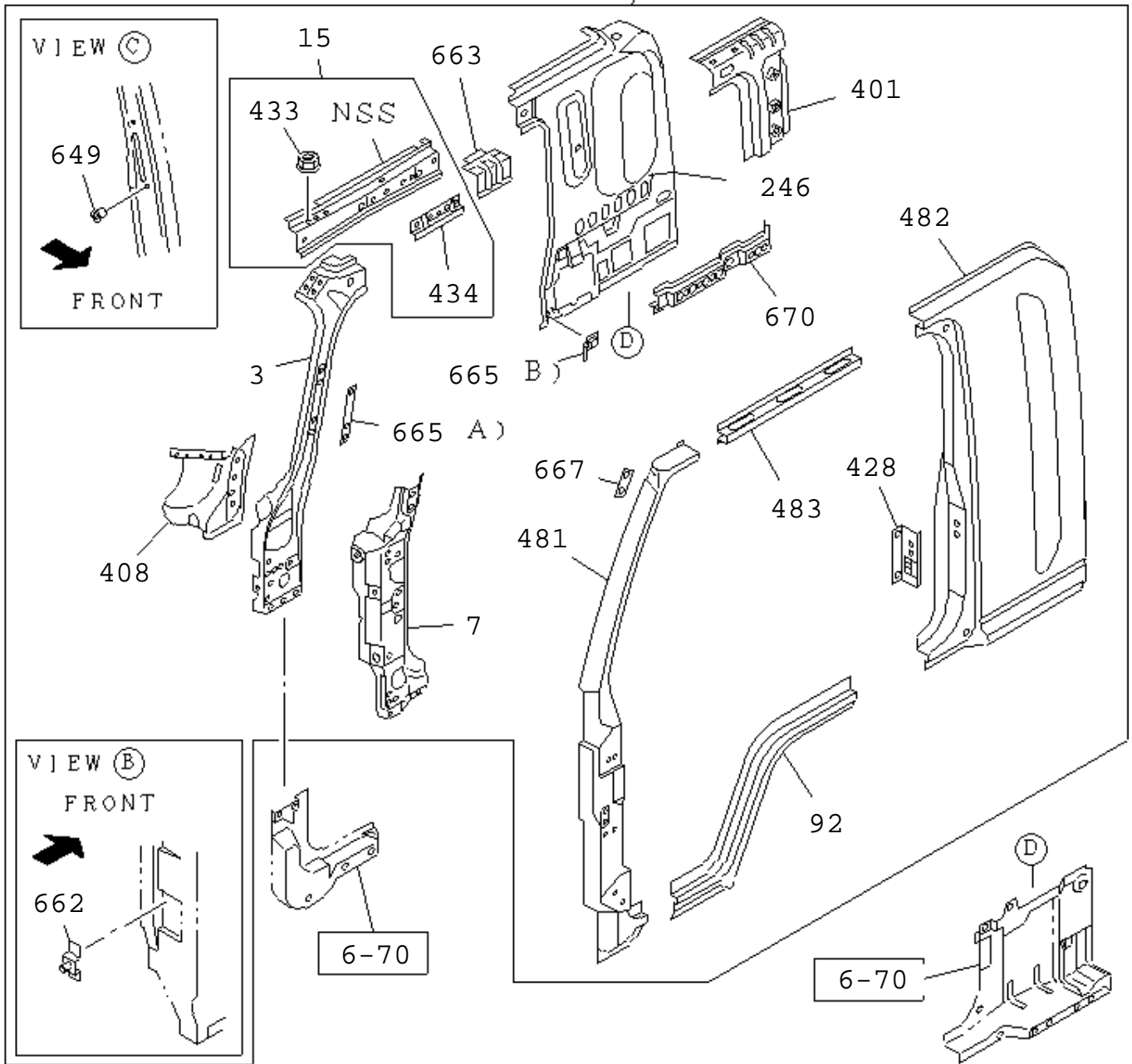
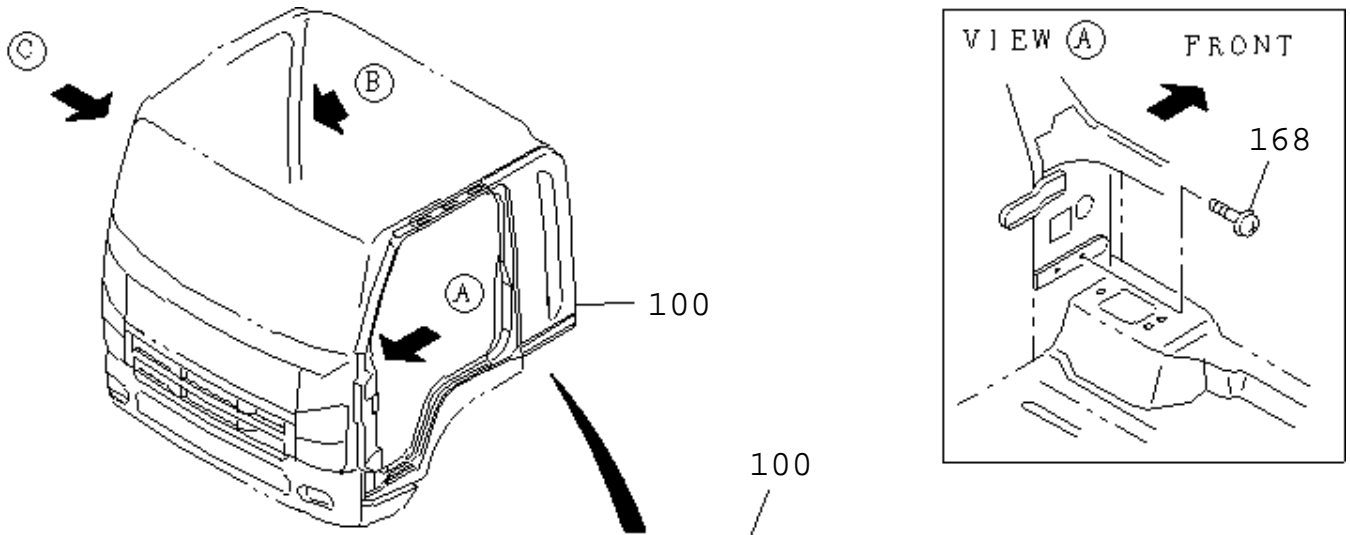
KEY	R / C	PART NAME PART NUMBER	I T C	APPLIED DATE	L / R	Qty	APPLIED MODEL	RESTRICTION/REMARKS	
								A	B
571		8-98027-457-0		1312-1403		20	A		A FVZ WIDE CAB(FGZ5MV)
		8-98027-457-0		1404-		20	AB		B GVZ WIDE CAB(GGZ5MV)
573		BRACKET; SUPPORT 8-98017-700-2		1312-1403		01	A		NATURAL IDN
		8-98017-700-2		1404-		01	AB		NATURAL IDN
578		COVER; WIPER MOTOR 8-97586-018-3		1312-1403		01	A		
		8-97586-018-3		1404-		01	AB		
602		RETAINER; COVER 8-98241-984-0		1312-1403		06	A		ID=5.4 OD=6.8
		8-98241-984-0		1404-		06	AB		ID=5.4 OD=6.8
608		CLIP 1-09983-154-0		1312-1403		06	A		D5.4X8
		1-09983-154-0		1404-		06	AB		D5.4X8
655		PATCH; HINGE 8-98031-263-0		1312-1403	L	01	A		
		8-98031-263-0		1404-	L	01	AB		
		8-98031-264-0		1312-1403	R	01	A		
		8-98031-264-0		1404-	R	01	AB		
656		PATCH; STRIKER 8-98031-265-0		1312-1403		02	A		
		8-98031-265-0		1404-		02	AB		
658		FINISHER; BLISTER FENDER 8-98041-169-3		1312-1403	L	01	A		
		8-98041-169-3		1404-	L	01	AB		
		8-98041-168-3		1312-1403	R	01	A		
		8-98041-168-3		1404-	R	01	AB		
659		CLIP; FENDER 1-09983-154-0		1312-1403		08	A		D5.4X8
		1-09983-154-0		1404-		08	AB		D5.4X8
664		BASE; DOOR, SIDE TURN 8-98053-146-1		1312-1403	L	01	A		
		8-98053-146-1		1404-	L	01	AB		
		8-98053-145-1		1312-1403	R	01	A		
		8-98053-145-1		1404-	R	01	AB		
665		SCREW; FENDER 0-36210-620-0		1312-1403		02	A		M6X20 W/PL WASHER
		0-36210-620-0		1404-		02	AB		M6X20 W/PL WASHER
666		CLIP; BLISTER FENDER 8-98071-178-0		1312-1403		04	A		
		8-98071-178-0		1404-		04	AB		
668		COVER; LEVER, FRT LID 8-98076-339-0		1312-1403		01	A		
		8-98076-339-0		1404-		01	AB		
6-70		Move to 6-70							
7-40		Move to 7-40							
7-43		Move to 7-43							
6-20		Move to 6-20							
6-30		Move to 6-30							

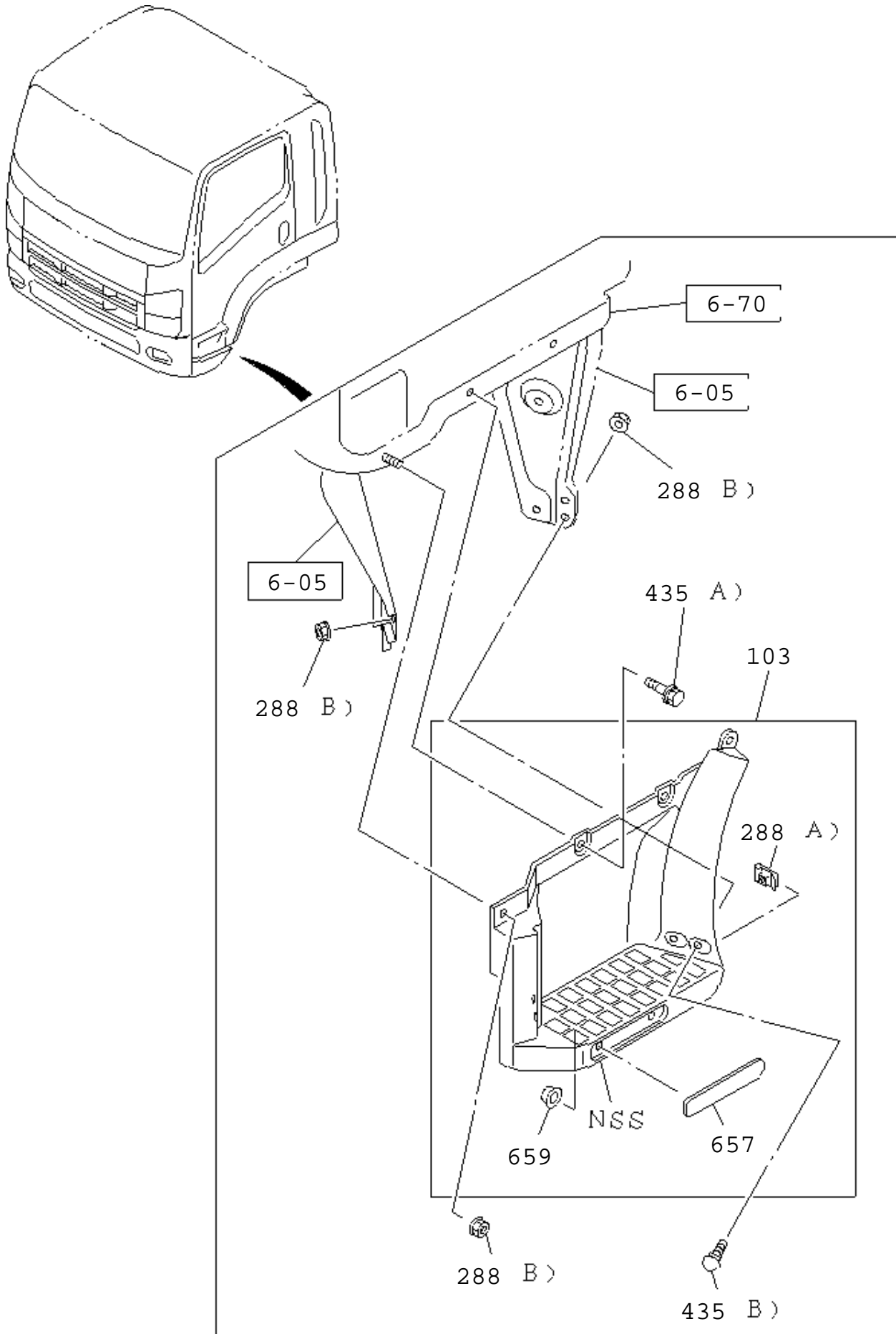


6-07

FRONT WINDOW GLASS AND WEATHERSTRIP

KEY	R / C	PART NAME PART NUMBER	I T C	APPLIED DATE	Qty	APPLIED MODEL	RESTRICTION/REMARKS
							A FVZ WIDE CAB(FGZ5MV) B GVZ WIDE CAB(GGZ5MV)
1	C	GLASS; WINDSHIELD 8-98041-647-3		1312-1403	01	A	
		8-98041-647-3		1404-	01	AB	IDN
3	C	MOLDING; WINDSHIELD 8-98041-651-3		1312-1403	01	A	
		8-98041-651-3		1404-	01	AB	IDN
5	C	MOLDING; WINDSHIELD,LWR 8-98222-159-0		1312-1403	01	A	
		8-98222-159-0		1404-	01	AB	
10		SPACER; WINDSHIELD GLASS 8-98095-044-0		1312-1403	02	A	
		8-98095-044-0		1404-	02	AB	
18		SEAL; WINDSHIELD 8-98029-086-1		1312-1403	10	A	(A) L=100 B=8
		8-98029-086-1		1404-	10	AB	(A) L=100 B=8
		8-98083-198-1		1312-1403	10	A	(B) L=100 B=10
		8-98083-198-1		1404-	10	AB	(B) L=100 B=10
6-05		Move to 6-05					





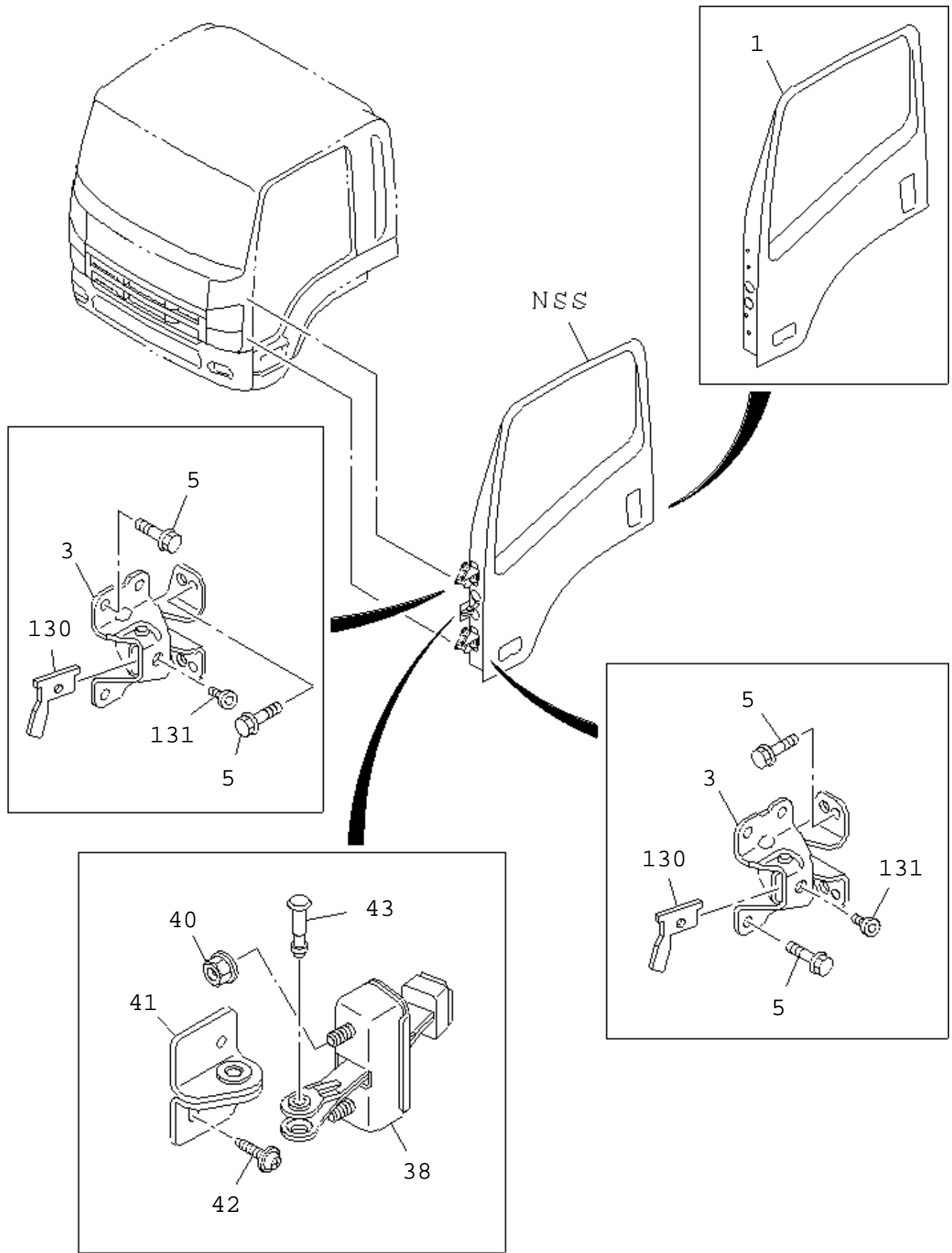
KEY	R / C	PART NAME PART NUMBER	I T C	APPLIED DATE	L / R	Qty	APPLIED MODEL	RESTRICTION/REMARKS	
								A FVZ WIDE CAB (FGZ5MV)	B GVZ WIDE CAB (GGZ5MV)
3		PANEL; CLOSING, FRT PILLAR 8-98058-237-1		1312-1403	L	01	A		
		8-98058-237-1		1404-	L	01	AB	IDN	
		8-98058-236-1		1312-1403	R	01	A	IDN	
		8-98058-236-1		1404-	R	01	AB		
7		REINFORCEMENT; HINGE 8-97585-244-4		1312-1403	L	01	A		
		8-97585-244-4		1404-	L	01	AB	IDN	
		8-97585-240-3		1312-1403	R	01	A	IDN	
		8-97585-240-3		1404-	R	01	AB	IDN	
15		PANEL; CANT RAIL SIDE 8-97585-293-2		1312-1403	L	01	A		
		8-97585-293-2		1404-	L	01	AB		
		8-97585-292-2		1312-1403	R	01	A		
		8-97585-292-2		1404-	R	01	AB		
92		PANEL; SIDE SILL, CAB 8-98055-462-1		1312-1403	L	01	A		
		8-98055-462-1		1404-	L	01	AB		
		8-98055-461-1		1312-1403	R	01	A		
		8-98055-461-1		1404-	R	01	AB		
100		PANEL ASM; BODY SIDE 8-98103-333-1		1312-1403	L	01	A		
		8-98103-333-1		1404-	L	01	AB		
		8-97586-065-6		1312-1403	R	01	A		
		8-97586-065-6		1404-	R	01	AB		
103		PLATE; STEP 8-98037-346-2		1312-1403	L	01	A		
		8-98037-346-2		1404-	L	01	AB		
		8-98037-345-2		1312-1403	R	01	A		
		8-98037-345-2		1404-	R	01	AB		
168		BOLT; BODY SIDE PANEL 0-38050-612-0		1312-1403		08	A		
		0-38050-612-0		1404-		08	AB	M6X12 HEXALOBULAR SOCKET	
246		PANEL; RR PILLAR, INNER 8-97586-158-5		1312-1403	L	01	A		
		8-97586-158-5		1404-	L	01	AB		
		8-97586-156-5		1312-1403	R	01	A		
		8-97586-156-5		1404-	R	01	AB		
288		NUT; STEP 0-91180-108-0		1312-1403		10	A		
		0-91180-108-0		1404-		10	AB	(B) M8 FLANGE	
		8-98040-792-0		1312-1403		02	A	(B) M8 FLANGE	
		8-98040-792-0		1404-		02	AB	(A) M8	
401		PATCH; CLOSING, FRT PILLAR 8-97586-161-2		1312-1403	L	01	A		
		8-97586-161-2		1404-	L	01	AB		
		8-97586-160-2		1312-1403	R	01	A		
		8-97586-160-2		1404-	R	01	AB		
408		GUSSET; PILLAR 8-97586-194-2		1312-1403	L	01	A		
		8-97586-194-2		1404-	L	01	AB		
		8-97586-193-3		1312-1403	R	01	A		
		8-97586-193-3		1404-	R	01	AB		
428		REINFORCEMENT; DOOR STRIKER 8-97585-261-4		1312-1403	L	01	A		
		8-97585-261-4		1404-	L	01	AB	IDN	
								IDN	

KEY	R / C	PART NAME PART NUMBER	I T C	APPLIED DATE	L / R	Qty	APPLIED MODEL	RESTRICTION/REMARKS		
								A	B	
428		8-97585-260-4		1312-1403	R	01	A			
		8-97585-260-4		1404-	R	01	AB			
433		NUT; HEADER SHELF								
		9-09114-086-0		1312-1403		04	A			M6
		9-09114-086-0		1404-		04	AB			M6
434		PATCH; ASSIST GRIP								
		8-98039-020-0		1312-1403	L	01	A			IDN
		8-98039-020-0		1404-	L	01	AB			IDN
		8-98039-019-0		1312-1403	R	01	A			
		8-98039-019-0		1404-	R	01	AB			
435		BOLT; RR STEP								
		8-98059-720-0		1312-1403		04	A			(A)
		8-98059-720-0		1404-		04	AB			M8X24.5 W/LK&PL WASHER
		8-98146-670-0		1312-1403		08	A			(A)
		8-98146-670-0		1404-		08	AB			M8X18
		8-98146-670-0		1312-1403		08	A			(B)
		8-98146-670-0		1404-		08	AB			M8X18
481		PANEL; SIDE FRT PILLAR								
		8-98055-453-0		1312-1403	L	01	A			
		8-98055-453-0		1404-	L	01	AB			
		8-98055-471-0		1312-1403	R	01	A			
		8-98055-471-0		1404-	R	01	AB			
482		PANEL; SIDE RR PILLAR								
		8-98055-469-0		1312-1403	L	01	A			
		8-98055-469-0		1404-	L	01	AB			
		8-98055-468-0		1312-1403	R	01	A			
		8-98055-468-0		1404-	R	01	AB			
483		PANEL; SIDE CANTRAIL								
		8-98055-460-0		1312-1403	L	01	A			
		8-98055-460-0		1404-	L	01	AB			
		8-98055-458-0		1312-1403	R	01	A			
		8-98055-458-0		1404-	R	01	AB			
649		NUT; POP								
		8-97249-574-0		1312-1403	R	02	A			M5 POP NUT
		8-97249-574-0		1404-	R	02	AB			IDN
		8-97249-574-0		1312-1403	R	02	A			M5 POP NUT
		8-97249-574-0		1404-	R	02	AB			IDN
657		REFLECTOR; REFLEX								
		8-97378-910-0		1312-1403		02	A			IDN
		8-97378-910-0		1404-		02	AB			IDN
659		CLIP; SPRING NUT								
		8-97811-510-0		1312-1403		04	A			IDN
		8-97811-510-0		1404-		04	AB			IDN
662		BRACKET; DUCT								
		8-97584-611-1		1312-1403	R	01	A			IDN
		8-97584-611-1		1404-	R	01	AB			IDN
663		BRACKET; AIR								
		8-97585-208-2		1312-1403	L	01	A			IDN
		8-97585-208-2		1404-	L	01	AB			IDN
		8-97585-207-2		1312-1403	R	01	A			IDN
		8-97585-207-2		1404-	R	01	AB			IDN
665		REINFORCEMENT; GRIP,ASSIST								
		8-97585-314-0		1312-1403		02	A			(A)

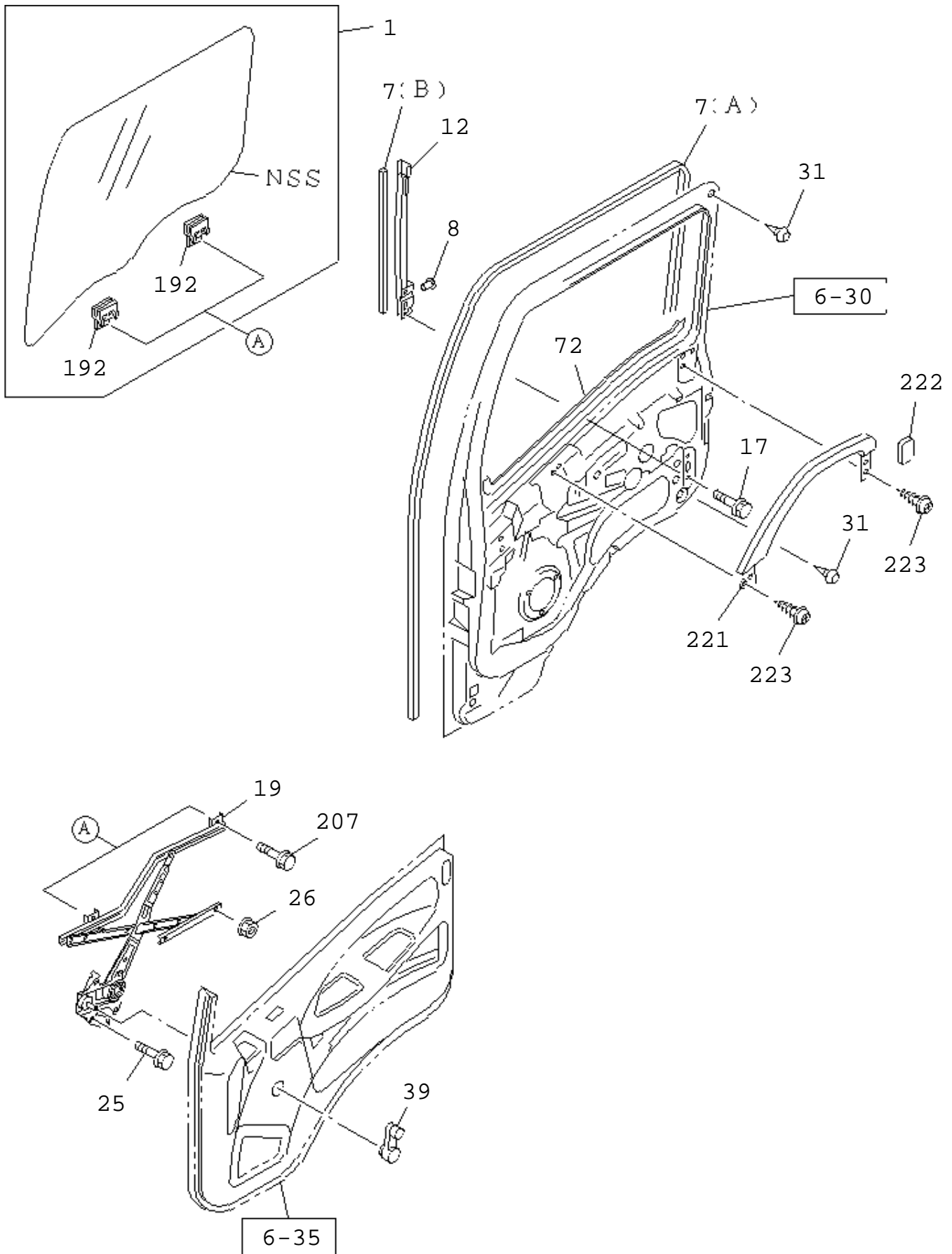
6-20

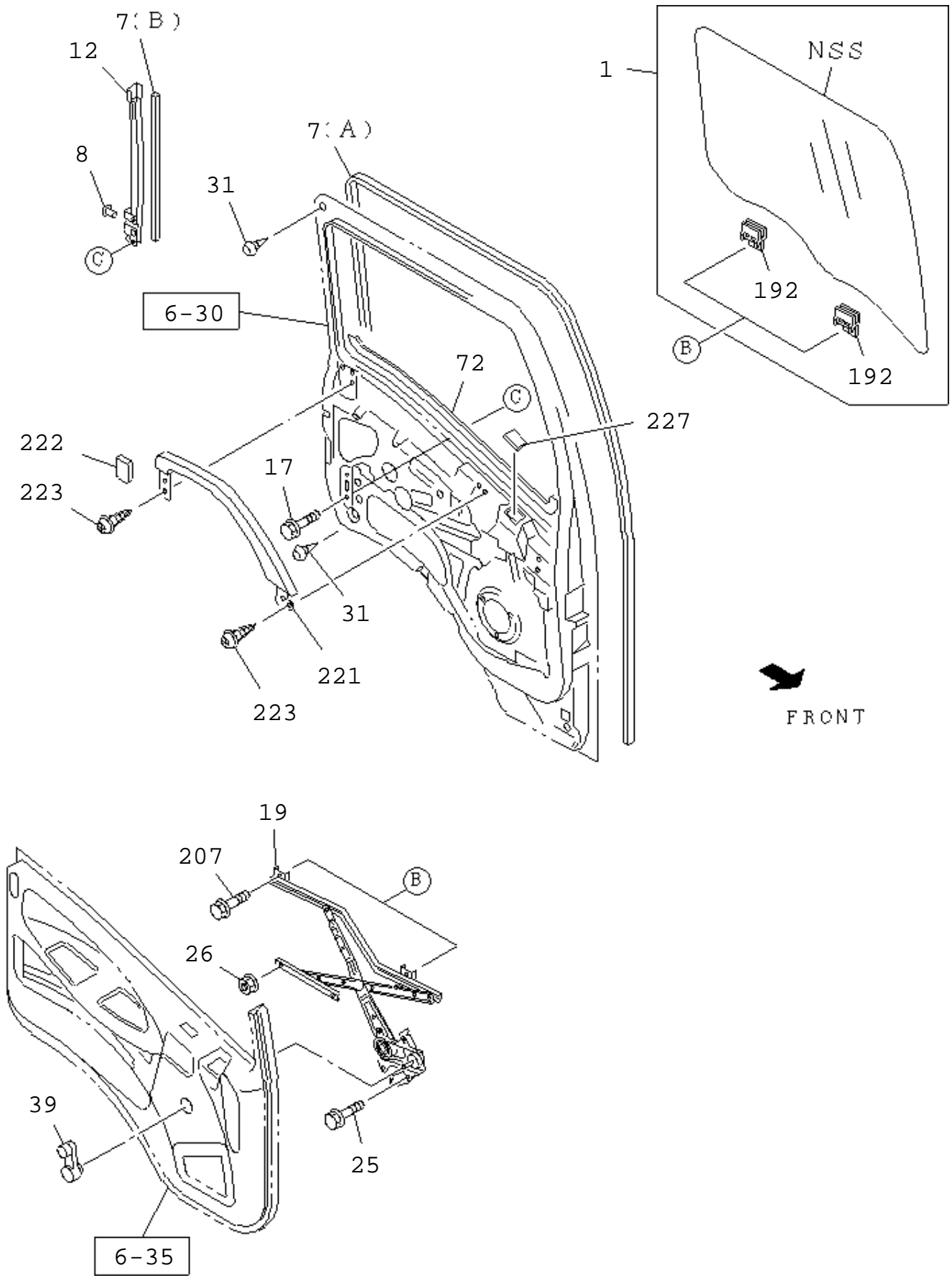
SIDE PANEL AND STEP

KEY	R / C	PART NAME PART NUMBER	I T C	APPLIED DATE	L / R	Qty	APPLIED MODEL	RESTRICTION/REMARKS	
								A FVZ WIDE CAB (FGZ5MV)	B GVZ WIDE CAB (GGZ5MV)
665		8-97585-314-0		1404-		02	AB		
		8-98012-287-1		1312-1403		02	A	(A)	
		8-98012-287-1		1404-		02	AB	(B)	
667		BRACKET; MIRROR						(B)	
		8-98109-948-0		1312-1403		03	A		
		8-98109-948-0		1404-		03	AB		
670		STIFFENER; PANEL, SIDE							
		8-98015-044-1		1312-1403		02	A		
		8-98015-044-1		1404-		02	AB		
6-70		Move to 6-70							
6-05		Move to 6-05							



KEY	R / C	PART NAME PART NUMBER	I T C	APPLIED DATE	L / R	Qty	APPLIED MODEL	RESTRICTION/REMARKS	
								A	B
1	C	DOOR ASM; FRT,WO/TRIM 8-98171-232-0 8-98171-232-0 8-98260-600-0 8-98171-224-0 8-98171-224-0 8-98260-599-0		1312-1403 1404-1409 1410- 1312-1403 1404-1409 1410-	L L L R R R	01 01 01 01 01 01	A AB AB A AB AB		
3	C	HINGE; DOOR FRT 8-98191-302-0 8-98191-302-0		1312-1403 1404-		04 04	A AB		IDN IDN
5		BOLT; HINGE 8-98049-756-0 8-98049-756-0		1312-1403 1404-		20 20	A AB		M8X20 FLANGE M8X20 FLANGE
38		CHECKER ASM; DOOR 8-98208-189-1 8-98208-189-1		1312-1403 1404-		02 02	A AB		IDN IDN
40		NUT; CHECKER 8-97329-625-0 8-97329-625-0		1312-1403 1404-		04 04	A AB		M8 W/DISHED WASHER M8 W/DISHED WASHER
41		BRACKET; CHECKER 8-98029-290-3 8-98029-290-3		1312-1403 1404-		02 02	A AB		IDN IDN
42		BOLT; BRKT 8-98032-159-2 8-98032-159-2		1312-1403 1404-		04 04	A AB		M6X20 W/PL WASHER IDN M6X20 W/PL WASHER IDN
43		PIN 8-98037-152-2 8-98037-152-2		1312-1403 1404-		02 02	A AB		IDN IDN
130		STOPPER; HINGE 8-98038-299-1 8-98038-299-1		1312-1403 1404-		04 04	A AB		IDN IDN
131		BOLT; DOOR STOPPER 8-98039-593-1 8-98039-593-1		1312-1403 1404-		04 04	A AB		M10X11 IDN M10X11 IDN





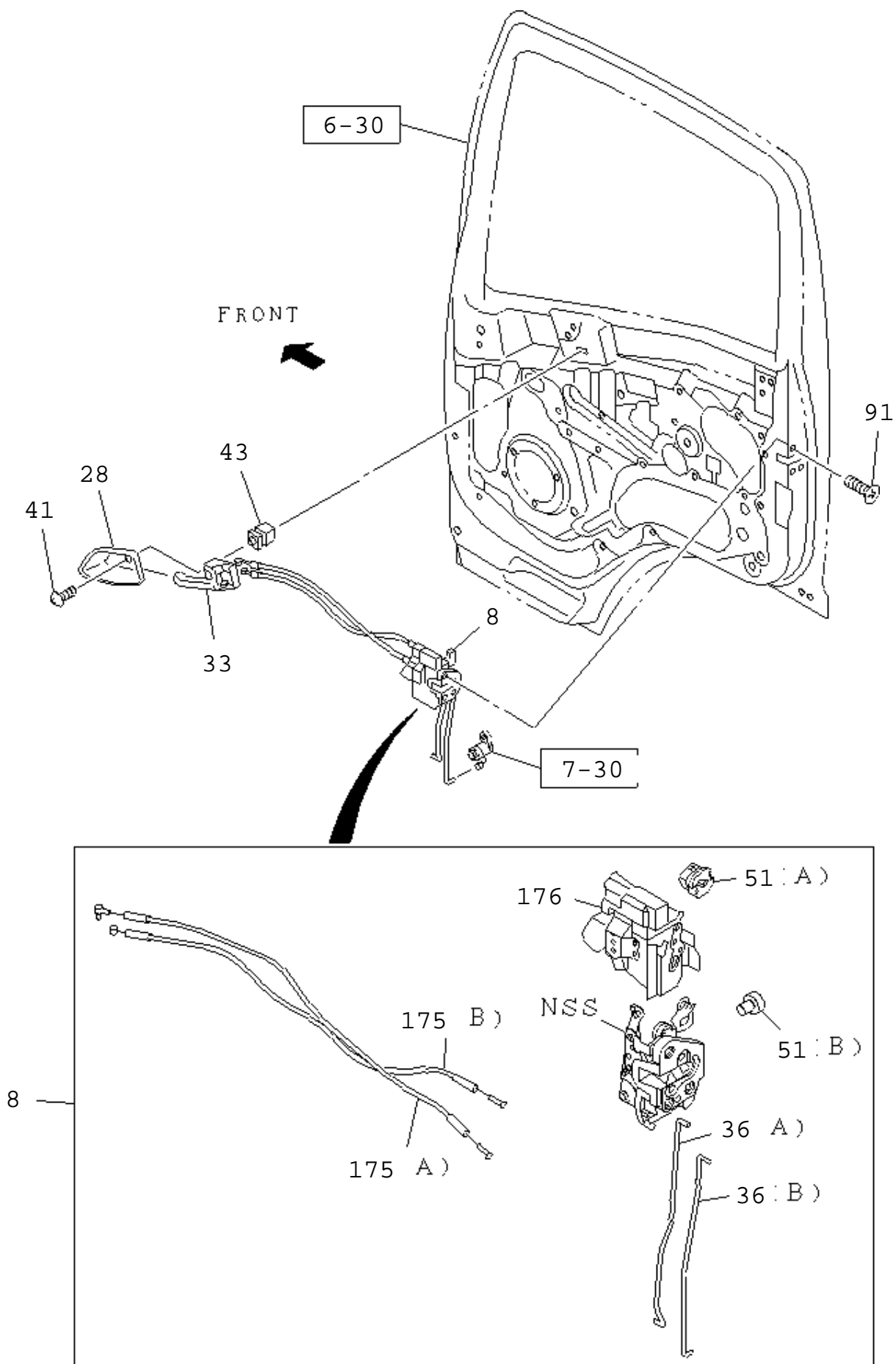
FRONT DOOR GLASS AND REGULATOR

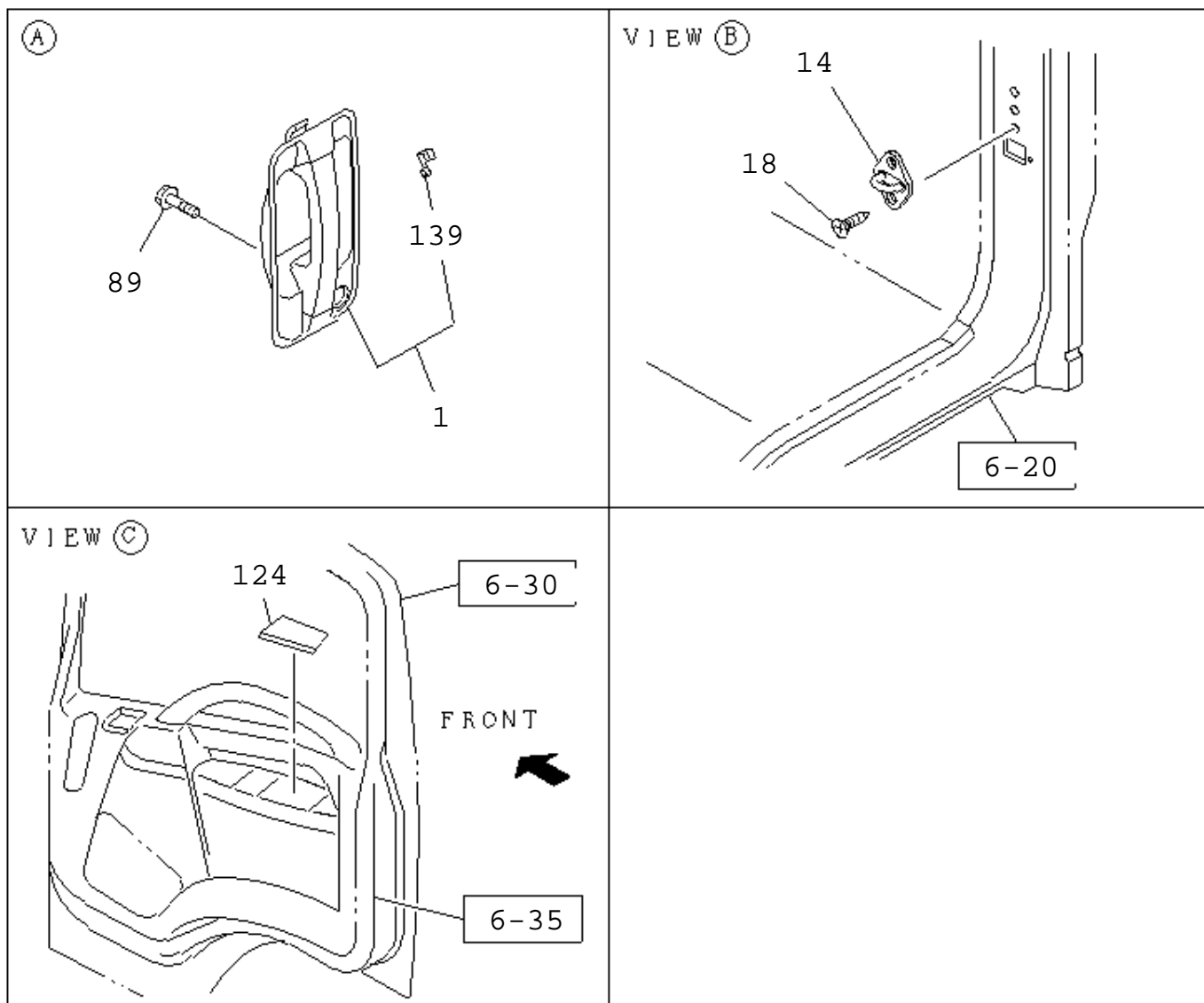
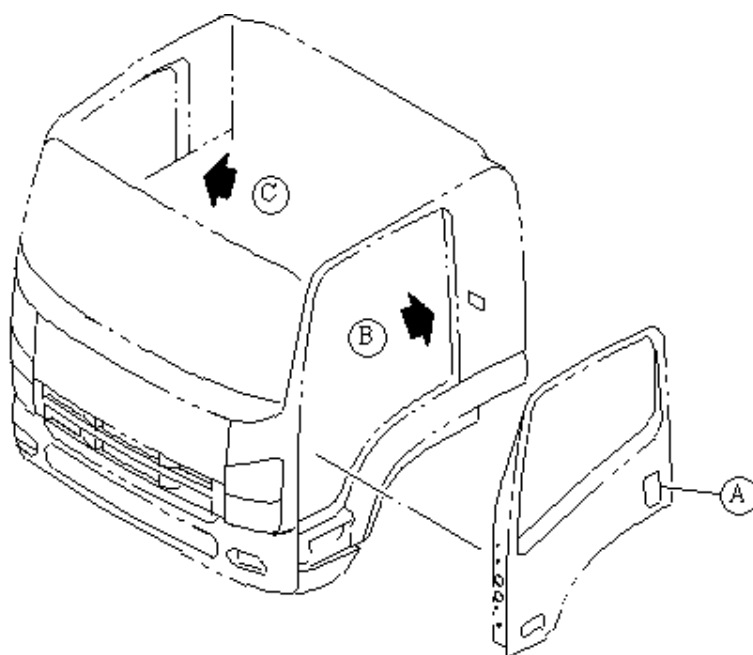
KEY	R / C	PART NAME PART NUMBER	I T C	APPLIED DATE	L / R	Qty	APPLIED MODEL	RESTRICTION/REMARKS	
								A FVZ WIDE CAB (FGZ5MV)	B GVZ WIDE CAB (GGZ5MV)
1		GLASS; FRT DOOR 8-98211-765-0		1312-1403	L	01	A		
		8-98211-765-0		1404-	L	01	AB	IDN	
		8-98211-764-0		1312-1403	R	01	A	IDN	
		8-98211-764-0		1404-	R	01	AB	IDN	
7		GLASS RUN; FRT DOOR 8-98031-742-2		1312-1403		02	A	(B)	IDN
		8-98031-742-2		1404-1409		02	AB	(B)	IDN
		8-98260-310-0		1410-		02	AB	(B)	
		8-98029-196-3		1312-1403	L	01	A	(A)	IDN
		8-98029-196-3		1404-1409	L	01	AB	(A)	IDN
		8-98260-309-0		1410-	L	01	AB	(A)	
		8-98029-195-3		1312-1403	R	01	A	(A)	IDN
		8-98029-195-3		1404-1409	R	01	AB	(A)	IDN
		8-98260-308-0		1410-	R	01	AB	(A)	
		8			CLIP; GLASS GUIDE 8-98048-796-0		1312-1403		02
8-98048-796-0	1404-				02		AB	IDN	
12		CHANNEL; GLASS RUN, FRT 8-98188-419-0		1312-1403	L	01	A	IDN	
		8-98188-419-0		1404-1409	L	01	AB	IDN	
		8-98260-319-0		1410-	L	01	AB		
		8-98188-418-0		1312-1403	R	01	A	IDN	
		8-98188-418-0		1404-1409	R	01	AB	IDN	
17		SCREW; RR CHANNEL 0-28050-610-0		1312-1403		04	A	M6X10 FLANGE	IDN
		0-28050-610-0		1404-		04	AB	M6X10 FLANGE	IDN
19		REGULATOR; WINDOW, FRT DOOR 8-98029-234-3		1312-1403	L	01	A	IDN	
		8-98029-234-3		1404-	L	01	AB	IDN	
		8-98029-233-3		1312-1403	R	01	A	IDN	
		8-98029-233-3		1404-	R	01	AB	IDN	
25		BOLT; WINDOW REG 0-28050-610-0		1312-1403		08	A	M6X10 FLANGE	IDN
		0-28050-610-0		1404-		08	AB	M6X10 FLANGE	IDN
26		NUT; FLANGE, WINDOW REG							

6-31

FRONT DOOR GLASS AND REGULATOR

KEY	R / C	PART NAME PART NUMBER	I T C	APPLIED DATE	L / R	Qty	APPLIED MODEL	RESTRICTION/REMARKS	
								A FVZ WIDE CAB (FGZ5MV)	B GVZ WIDE CAB (GGZ5MV)
26		0-91180-106-0		1312-1403		04	A		
		0-91180-106-0		1404-		04	AB	M6 FLANGE	
31		STOPPER; RUBBER, DOOR INNER 8-94358-581-0		1312-1403		04	A		
		8-94358-581-0		1404-		04	AB	M6 FLANGE	
39		HANDLE; WINDOW REG, FRT DOOR 8-97948-267-0		1312-1403		02	A	IDN	
		8-97948-267-0		1404-		02	AB	IDN	
72		SEAL; WAIST, FRT DOOR 8-98029-193-1		1312-1403	L	01	A	IDN	
		8-98029-193-1		1404-	L	01	AB	IDN	
		8-98029-192-1		1312-1403	R	01	A	IDN	
		8-98029-192-1		1404-	R	01	AB	IDN	
192		HOLDER; DOOR GLASS 8-98211-762-0		1312-1403		04	A	IDN	
		8-98211-762-0		1404-		04	AB	IDN	
207		SCREW; DOOR GLASS 0-28050-610-0		1312-1403		04	A	M6X10 FLANGE IDN	
		0-28050-610-0		1404-		04	AB	M6X10 FLANGE IDN	
221		BAR ASM; DOOR GLASS GUARD 8-97925-104-0		1312-1403	L	01	A	IDN	
		8-97925-104-0		1404-	L	01	AB	IDN	
		8-97925-103-0		1312-1403	R	01	A	IDN	
		8-97925-103-0		1404-	R	01	AB	IDN	
222		CAP; GUARD BAR 8-97405-319-0		1312-1403	L	01	A	GRAY IDN	
		8-97405-319-0		1404-	L	01	AB	GRAY IDN	
		8-97405-318-0		1312-1403	R	01	A	GRAY IDN	
		8-97405-318-0		1404-	R	01	AB	GRAY IDN	
223		SCREW; GUARD BAR 0-38050-625-0		1312-1403		08	A	M6X25 IDN	
		0-38050-625-0		1404-		08	AB	M6X25 IDN	
227		RUBBER; SHUTTER 8-97405-321-0		1312-1403	L	01	A	GRAY IDN	
		8-97405-321-0		1404-	L	01	AB	GRAY IDN	
6-30		Move to 6-30							
6-35		Move to 6-35							





FRONT DOOR LOCK AND HANDLE

KEY	R / C	PART NAME PART NUMBER	I T C	APPLIED DATE	L / R	Qty	APPLIED MODEL	RESTRICTION/REMARKS	
								A	B
1		HANDLE; OUTSIDE,FRT DOOR 8-98037-100-2		1312-1403	L	01	A		
		8-98037-100-2		1404-	L	01	AB	IDN	
		8-98037-101-2		1312-1403	R	01	A	IDN	
		8-98037-101-2		1404-	R	01	AB	IDN	
8		LOCK; DOOR,FRT DOOR 8-98029-053-2		1312-1403	L	01	A		
		8-98029-053-2		1404-	L	01	AB	IDN	
		8-98029-052-2		1312-1403	R	01	A	IDN	
		8-98029-052-2		1404-	R	01	AB	IDN	
14		STRIKER; FRT DOOR 8-98029-173-2		1312-1403		02	A		
		8-98029-173-2		1404-		02	AB		
18		SCREW; DOOR STRIKER 8-98004-343-2		1312-1403		04	A		
		8-98004-343-2		1404-		04	AB	M8X20 CK-HEAD	
28		BEZEL; INSIDE LEVER,FRT DOOR 8-97405-312-0		1312-1403	L	01	A		
		8-97405-312-0		1404-	L	01	AB	DARK GRAY	
		8-97405-311-0		1312-1403	R	01	A	DARK GRAY	
		8-97405-311-0		1404-	R	01	AB	DARK GRAY	
33		LEVER ASM; INSIDE,FRT DOOR 8-97405-310-1		1312-1403	L	01	A		
		8-97405-310-1		1404-	L	01	AB	DARK GRAY IDN	
		8-97405-309-1		1312-1403	R	01	A	DARK GRAY IDN	
		8-97405-309-1		1404-	R	01	AB	DARK GRAY IDN	
36		LINK; DOOR LOCK,OUTSIDE 8-98058-532-0		1312-1403	L	01	A		
		8-98058-532-0		1404-	L	01	AB	(A) IDN	
		8-98058-536-0		1312-1403	L	01	A	(B) IDN	
		8-98058-536-0		1404-	L	01	AB	(B) IDN	
		8-98058-531-0		1312-1403	R	01	A	(A) IDN	
		8-98058-531-0		1404-	R	01	AB	(A) IDN	
		8-98058-535-0		1312-1403	R	01	A	(B) IDN	
		8-98058-535-0		1404-	R	01	AB	(B) IDN	
41		SCREW; INSIDE HANDLE							

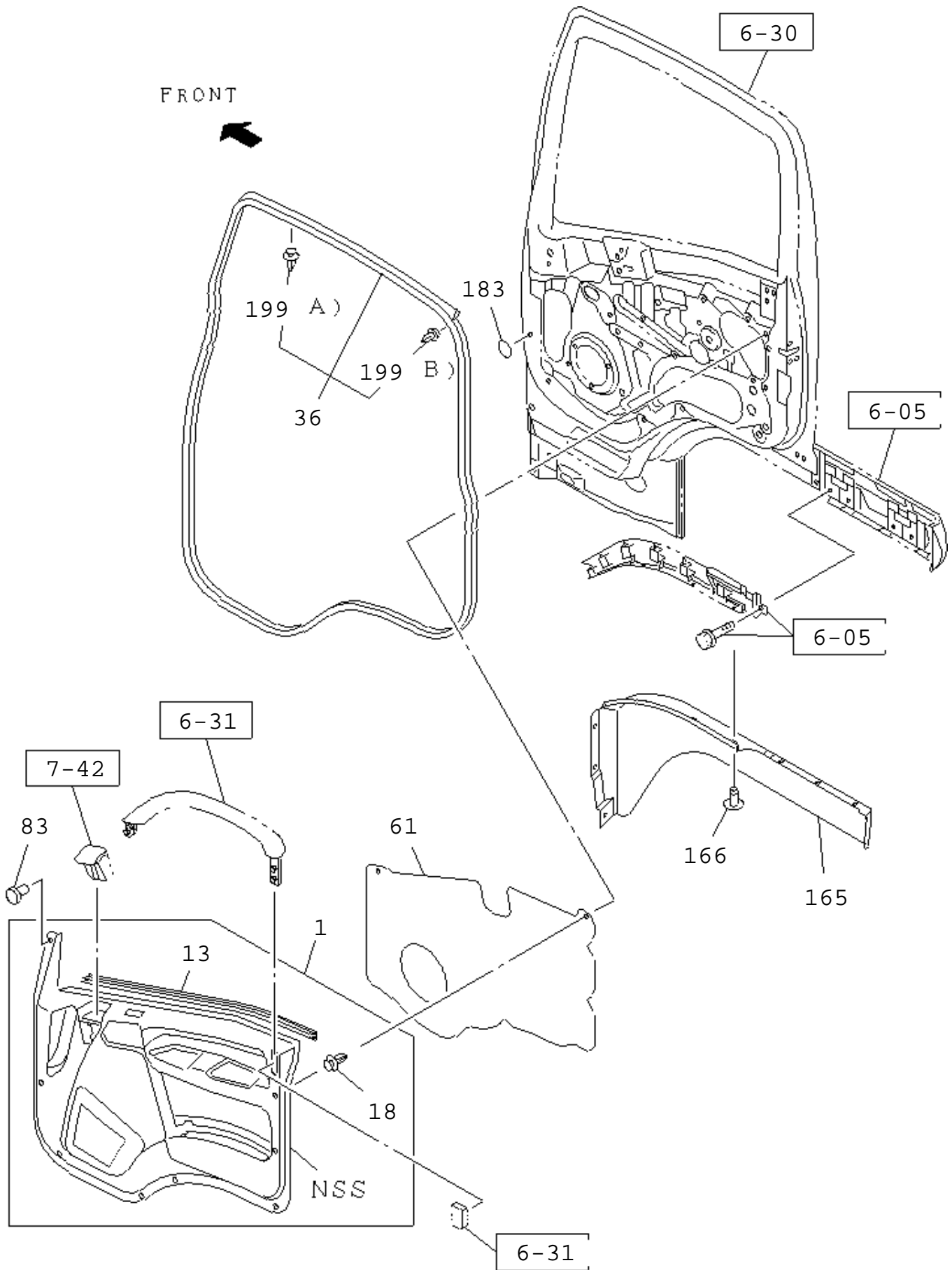
FRONT DOOR LOCK AND HANDLE

KEY	R / C	PART NAME PART NUMBER	I T C	APPLIED DATE	L / R	Qty	APPLIED MODEL	RESTRICTION/REMARKS	
								A	B
41		0-72380-516-0		1312-1403		02	A		A FVZ WIDE CAB(FGZ5MV)
		0-72380-516-0		1404-		02	AB	M5X16 HEX SOCKET IDN	B GVZ WIDE CAB(GGZ5MV)
43		GROMMET; SCREW, INSIDE LEVER, DOOR 8-94279-078-0		1312-1403		02	A		
		8-94279-078-0		1404-		02	AB	M5X16 HEX SOCKET IDN	
51		SNAP; FRT DOOR LOCK CONT ROD 8-98058-227-0		1312-1403	L	02	A		D=8.6X7.7 L=7.5 IDN
		8-98058-227-0		1404-	L	02	AB	(A)	
		8-98058-229-0		1312-1403	L	01	A	(A)	
		8-98058-229-0		1404-	L	01	AB	(B) IDN	
		8-98058-226-0		1312-1403	R	02	A	(B) IDN	
		8-98058-226-0		1404-	R	02	AB	(A)	
		8-98058-228-0		1312-1403	R	01	A	(A)	
		8-98058-228-0		1404-	R	01	AB	(B) IDN	
89		BOLT; DOOR OUTSIDE HANDLE 0-28050-610-0		1312-1403		04	A		
		0-28050-610-0		1404-		04	AB	M6X10 FLANGE IDN	
91		BOLT; DOOR LOCK 8-98004-342-0		1312-1403		06	A		M6X14.5
		8-98004-342-0		1404-		06	AB		M6X14.5
124		COVER; DOOR PULL 8-97422-056-1		1312-1403	L	01	A		IDN
		8-97422-056-1		1404-	L	01	AB		IDN
		8-97422-055-1		1312-1403	R	01	A		IDN
		8-97422-055-1		1404-	R	01	AB		IDN
139		HOLDER; ROD, DOOR HANDLE 8-97333-303-0		1312-1403	L	01	A		WHITE IDN
		8-97333-303-0		1404-	L	01	AB		WHITE IDN
		8-98095-813-0		1312-1403	R	01	A		BLACK IDN
		8-98095-813-0		1404-	R	01	AB		BLACK IDN
175		CABLE ASM; LOCK CONTROL 8-98058-539-0		1312-1403		02	A		(B) IDN

6-32

FRONT DOOR LOCK AND HANDLE

KEY	R / C	PART NAME PART NUMBER	I T C	APPLIED DATE	L / R	Qty	APPLIED MODEL	RESTRICTION/REMARKS	
								A	B
175		8-98058-539-0		1404-		02	AB		
		8-98058-538-0		1312-1403	L	01	A	(B) IDN	
		8-98058-538-0		1404-	L	01	AB	(A) IDN	
		8-98058-537-0		1312-1403	R	01	A	(A) IDN	
		8-98058-537-0		1404-	R	01	AB	(A) IDN	
176		COVER; DOOR LOCK							
		8-98058-239-0		1312-1403	L	01	A		
		8-98058-239-0		1404-	L	01	AB		
		8-98058-238-0		1312-1403	R	01	A		
		8-98058-238-0		1404-	R	01	AB		
6-30		Move to 6-30							
7-30		Move to 7-30							
6-20		Move to 6-20							
6-35		Move to 6-35							

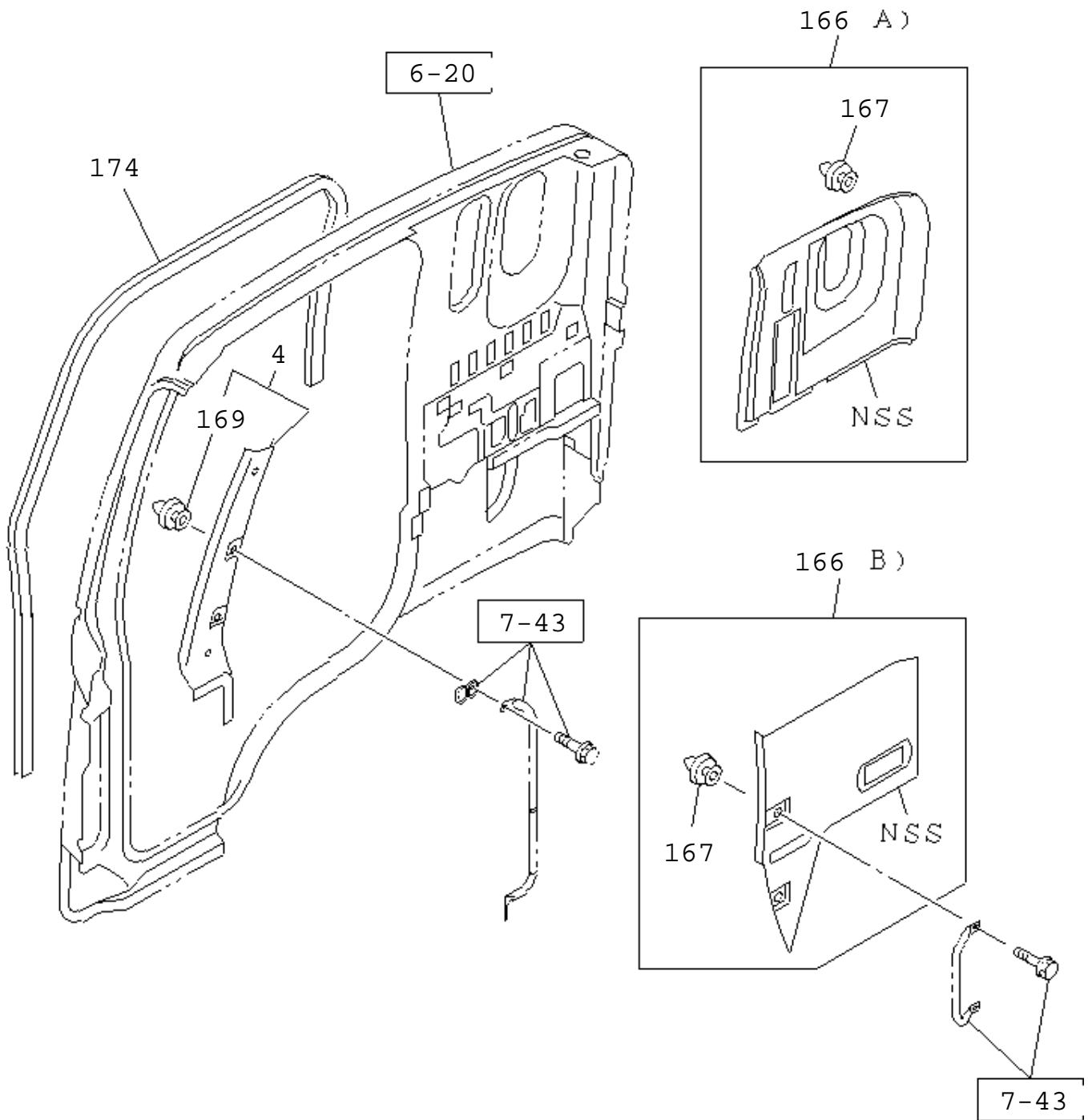


KEY	R / C	PART NAME PART NUMBER	I T C	APPLIED DATE	L / R	Qty	APPLIED MODEL	RESTRICTION/REMARKS
								A FVZ WIDE CAB (FGZ5MV) B GVZ WIDE CAB (GGZ5MV)
1		PAD; TRIM, FRT DOOR 8-97405-307-6		1312-1403	L	01	A	
		8-97405-307-6		1404-	L	01	AB	GRAY IDN
		8-97405-305-6		1312-1403	R	01	A	GRAY IDN
		8-97405-305-6		1404-	R	01	AB	GRAY IDN
13		SEAL; DOOR TRIM 8-98029-202-1		1312-1403	L	01	A	IDN
		8-98029-202-1		1404-	L	01	AB	IDN
		8-98029-201-1		1312-1403	R	01	A	IDN
		8-98029-201-1		1404-	R	01	AB	IDN
18		CLIP; DOOR PAD 8-98004-025-0		1312-1403		14	A	IDN
		8-98004-025-0		1404-		14	AB	IDN
36		SEAL; DOOR, MAIN, CAB SIDE 8-98029-199-3		1312-1403	L	01	A	IDN
		8-98029-199-3		1404-	L	01	AB	IDN
		8-98077-429-0		1312-1403	R	01	A	IDN
		8-98077-429-0		1404-	R	01	AB	IDN
61		SEAL; WATER, DOOR PAD 8-98029-395-2		1312-1403	L	01	A	2-SPEAKER SYSTEM BASE<U95> IDN
		8-98029-395-2		1404-	L	01	AB	2-SPEAKER SYSTEM BASE<U95> IDN
		8-98029-394-2		1312-1403	R	01	A	2-SPEAKER SYSTEM BASE<U95> IDN
		8-98029-394-2		1404-	R	01	AB	2-SPEAKER SYSTEM BASE<U95> IDN
		8-98029-396-0		1312-1403		02	A	EXC. 2-SPEAKER SYSTEM BASE<U95>
		8-98029-396-0		1404-		02	AB	EXC. 2-SPEAKER SYSTEM BASE<U95>
83		CLIP; DOOR TRIM 8-97405-308-0		1312-1403		02	A	
		8-97405-308-0		1404-		02	AB	GRAY IDN
165		LINER; DOOR LWR 8-98038-289-1		1312-1403	L	01	A	
		8-98038-289-1		1404-	L	01	AB	
		8-98038-288-1		1312-1403	R	01	A	
		8-98038-288-1		1404-	R	01	AB	
166		PLUG; HOLE 1-09987-248-1		1312-1403		09	A	D8X13.5
		1-09987-248-1		1404-		09	AB	D8X13.5
183		SEAL; LOCATION HOLE 1-76798-019-0		1312-1403		02	A	OD=25 BLACK
		1-76798-019-0		1404-		02	AB	OD=25 BLACK
199		CLIP; SEAL 8-98062-270-0		1312-1403		80	A	(A) NATURAL

6-35

FRONT DOOR TRIM

KEY	R / C	PART NAME PART NUMBER	I T C	APPLIED DATE	L / R	Qty	APPLIED MODEL	RESTRICTION/REMARKS
								A FVZ WIDE CAB (FGZ5MV) B GVZ WIDE CAB (GGZ5MV)
199		8-98062-270-0		1404-		80	AB	(A) NATURAL
		8-98062-271-0		1312-1403		02	A	(B) RED IDN
		8-98062-271-0		1404-		02	AB	(B) RED IDN
6-05		Move to 6-05						
6-30		Move to 6-30						
6-31		Move to 6-31						
7-42		Move to 7-42						



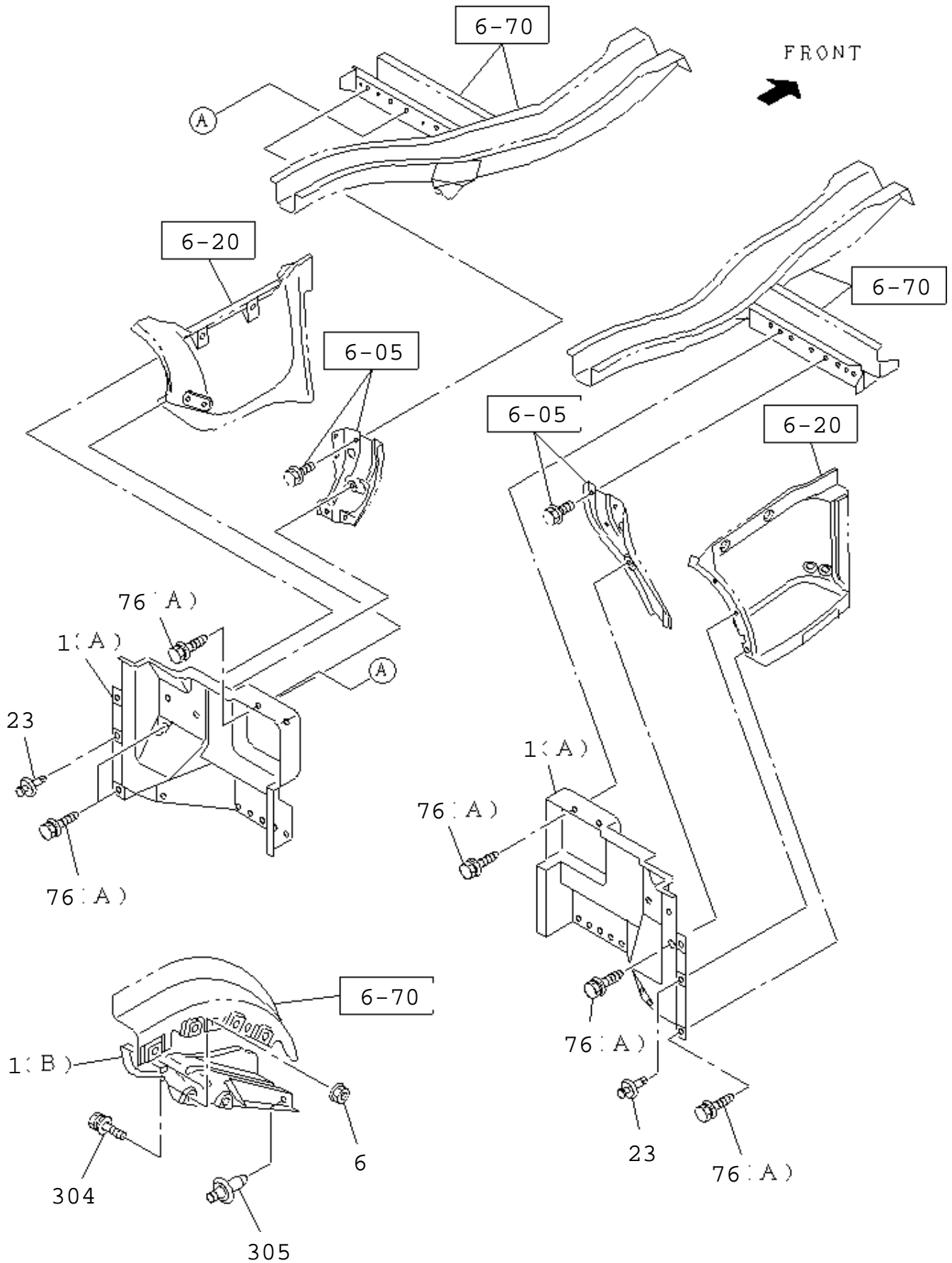
6-43

SIDE TRIM

KEY	R / C	PART NAME PART NUMBER	I T C	APPLIED DATE	L / R	Qty	APPLIED MODEL	RESTRICTION/REMARKS	
								A FVZ WIDE CAB (FGZ5MV)	B GVZ WIDE CAB (GGZ5MV)
4		COVER; TRIM, FRT SIDE 8-97405-255-2		1312-1403	L	01	A		
		8-97405-255-2		1404-	L	01	AB	DARK GRAY IDN	
		8-97407-415-1		1312-1403	R	01	A	DARK GRAY IDN	
		8-97407-415-1		1404-	R	01	AB	DARK GRAY	
166		TRIM; RR PILLAR 8-97415-651-0		1312-1403	L	01	A	(A) DARK GRAY	
		8-97415-651-0		1404-	L	01	AB	(A) DARK GRAY	
		8-97425-039-0		1312-1403	L	01	A	(B) GRAY	
		8-97425-039-0		1404-	L	01	AB	(B) GRAY	
		8-97415-652-0		1312-1403	R	01	A	(A) DARK GRAY	
		8-97415-652-0		1404-	R	01	AB	(A) DARK GRAY	
		8-97425-038-0		1312-1403	R	01	A	(B) GRAY	
		8-97425-038-0		1404-	R	01	AB	(B) GRAY	
167		CLIP; TRIM, RR PILLAR 8-98059-610-0		1312-1403		16	A	IDN	
		8-98059-610-0		1404-		16	AB	IDN	
169		CLIP; TRIM COVER, FRT PILLAR 8-94279-974-1		1312-1403		04	A	OD=7.9 BLACK	
		8-94279-974-1		1404-		04	AB	OD=7.9 BLACK	
174		FINISHER; BODY SIDE 8-98155-184-0		1312-1403	L	01	A	IDN	
		8-98155-184-0		1404-	L	01	AB	IDN	
		8-98155-183-0		1312-1403	R	01	A	IDN	
		8-98155-183-0		1404-	R	01	AB	IDN	
6-20 7-43		Move to 6-20 Move to 7-43							

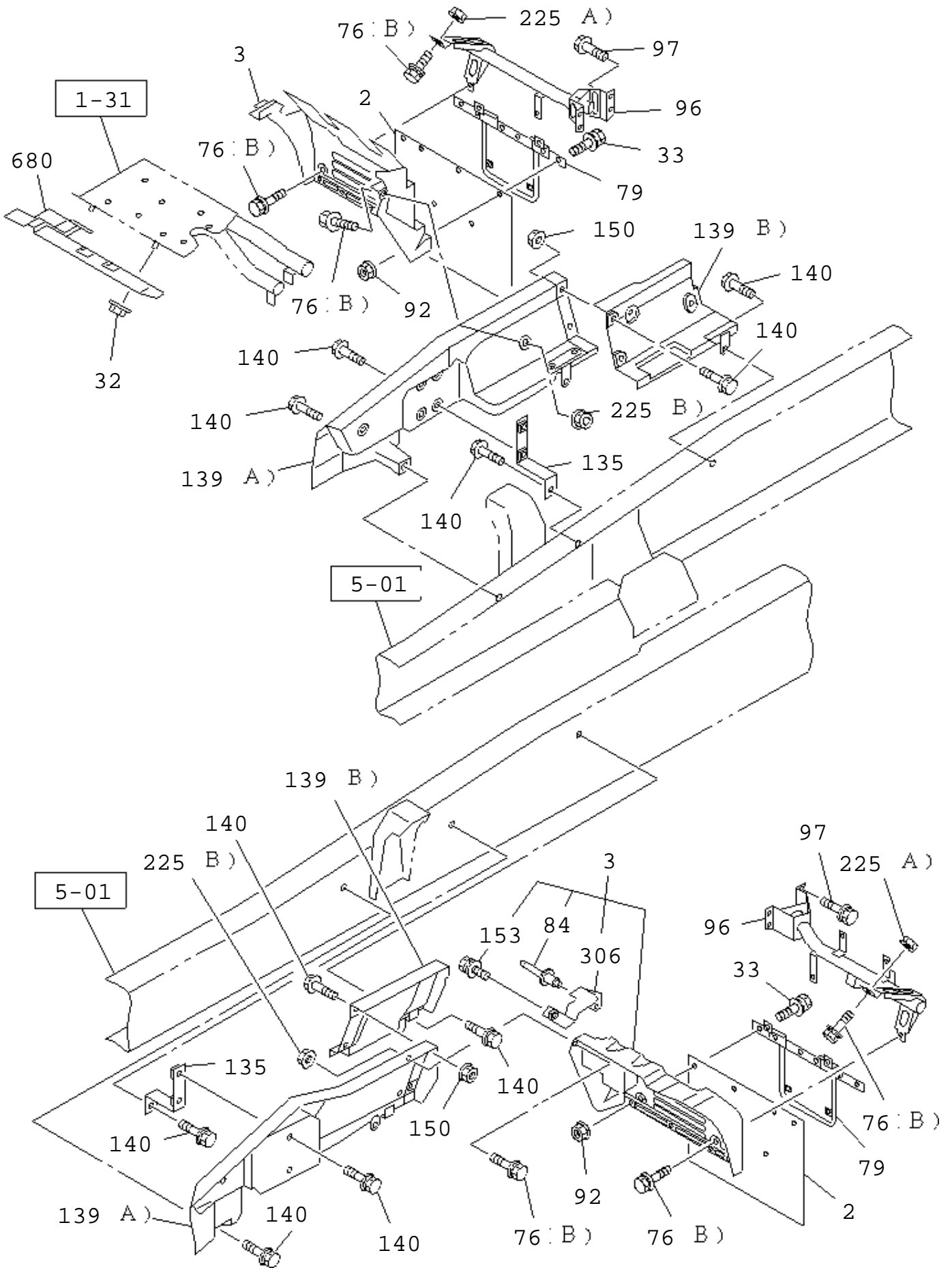
6-47 MUD GUARD AND INSULATOR

MUD GUARD; FRONT



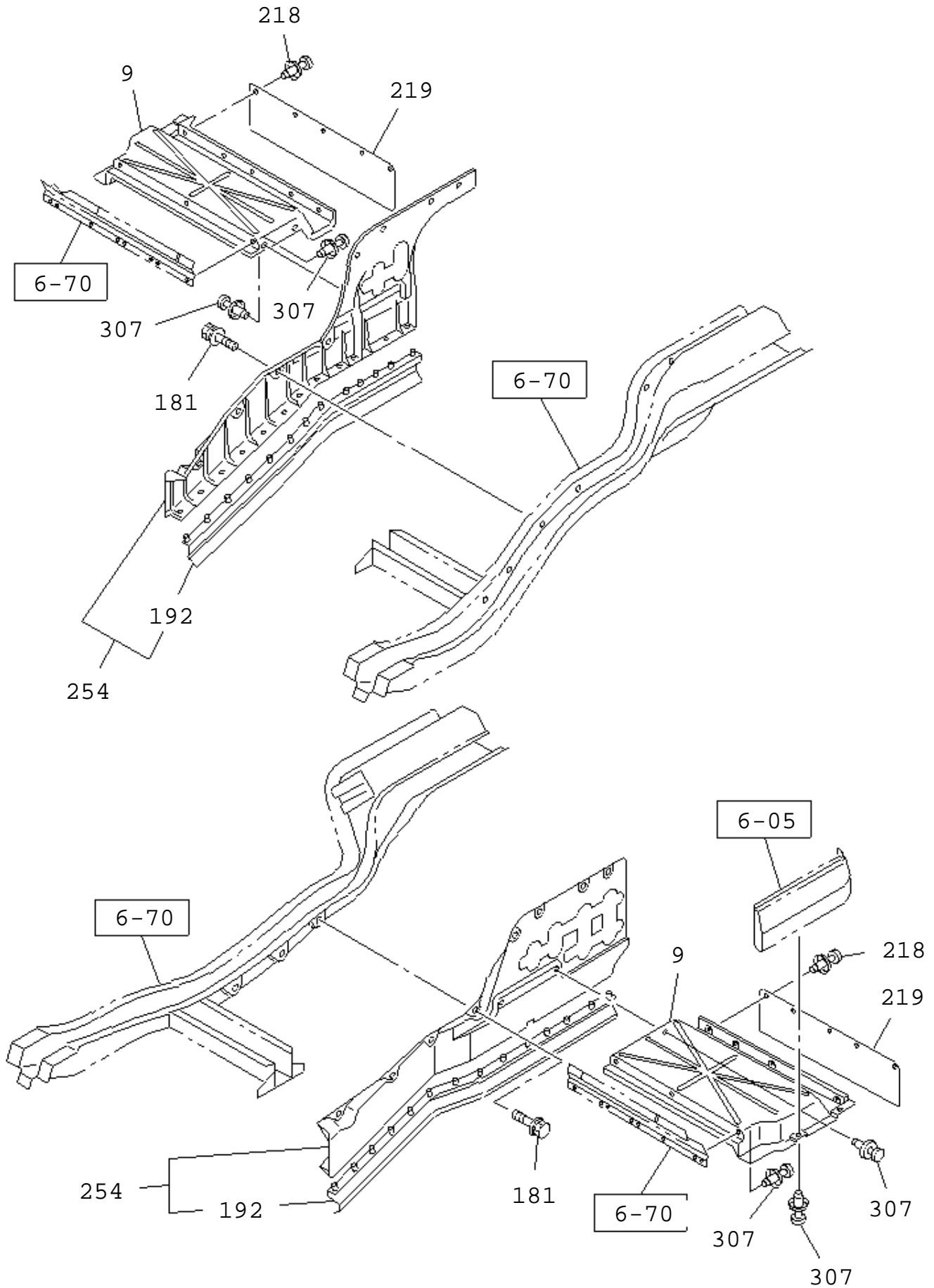
6-47 MUD GUARD AND INSULATOR

MUD GUARD; REAR AND SIDE PANEL



6-47 MUD GUARD AND INSULATOR

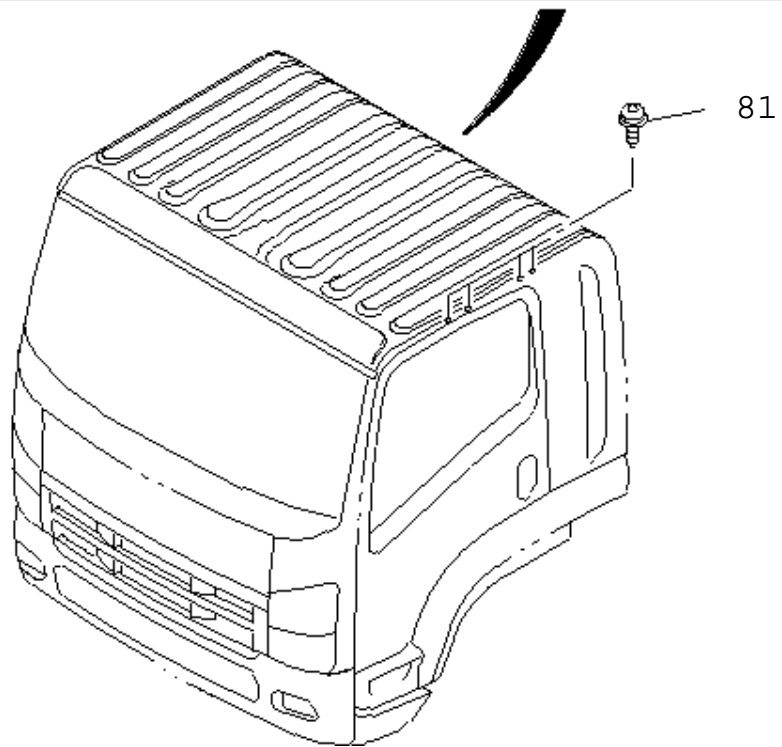
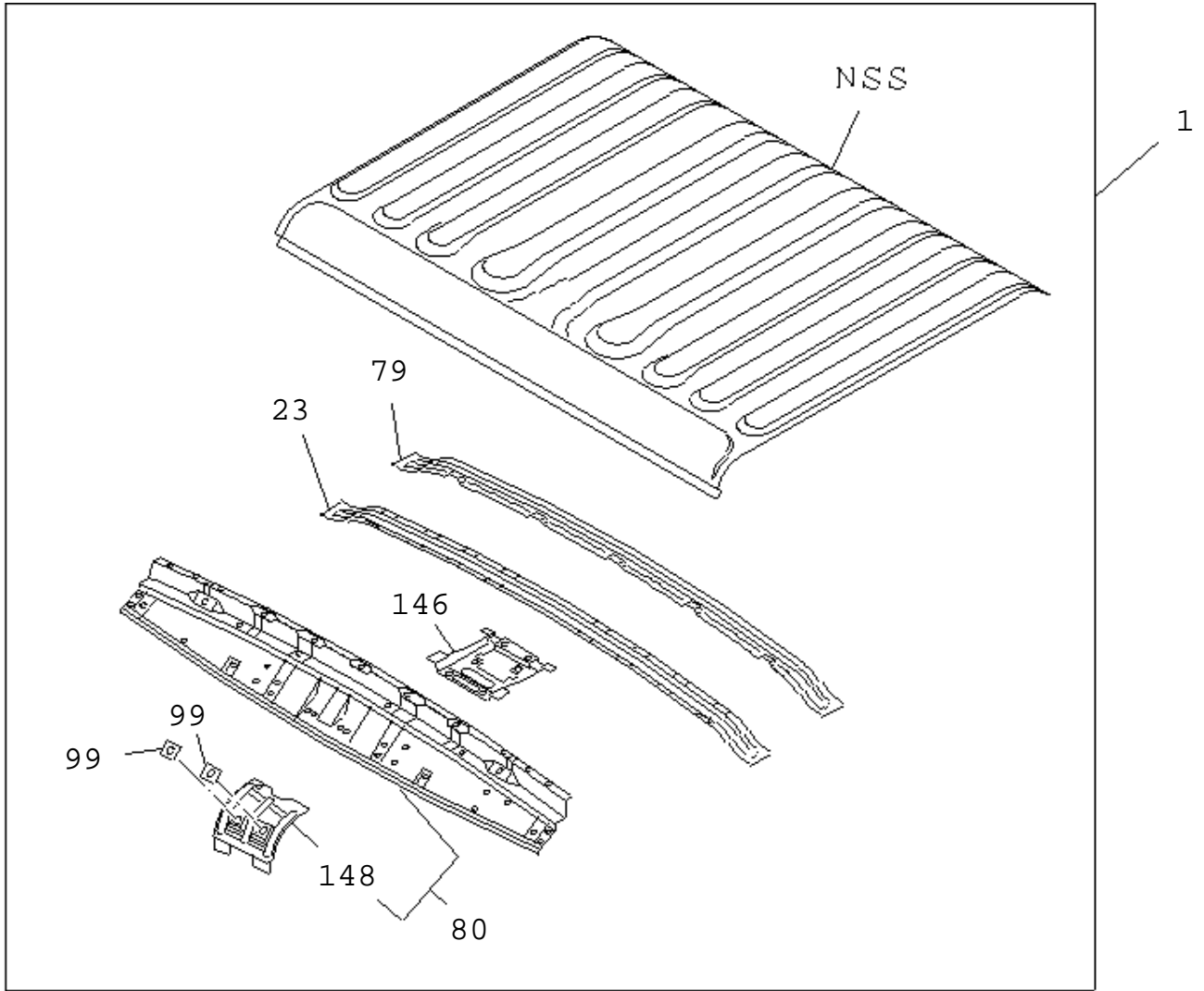
MUD COVER AND SEAL



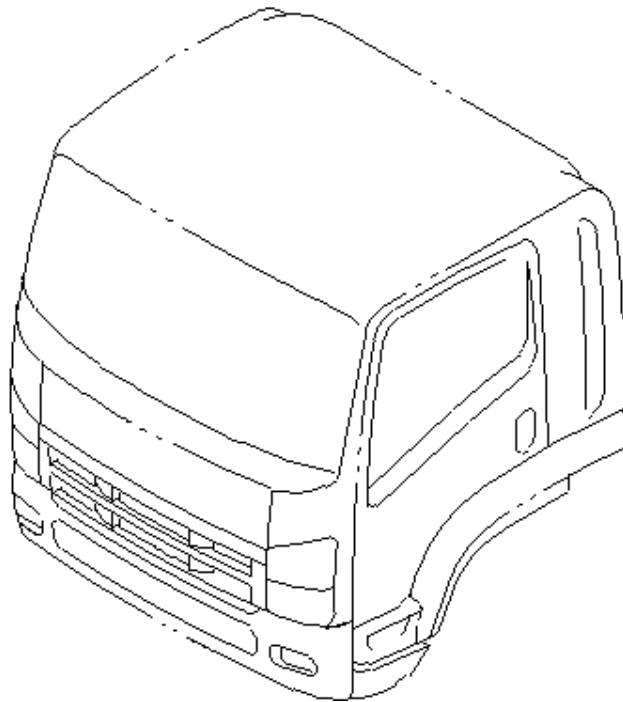
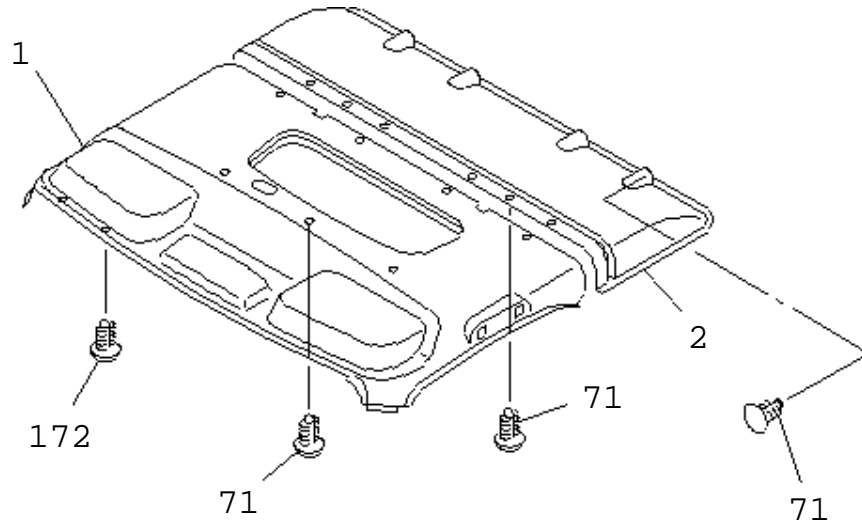
KEY	R / C	PART NAME PART NUMBER	I T C	APPLIED DATE	L / R	Qty	APPLIED MODEL	RESTRICTION/REMARKS	
								A	B
1		GUARD; MUD, FRT 8-98076-271-0		1402-	R	01	A		MIXER CHASSIS<6NR> (B)
		8-98039-851-1		1312-1403	L	01	A		(A)
		8-98039-851-1		1404-	L	01	AB		(A)
		8-98039-850-1		1312-1403	R	01	A		(A)
		8-98039-850-1		1404-	R	01	AB		(A)
2		COVER; MUD, TIRE RR 1-79931-512-1		1312-1403		02	A		IDN
		1-79931-512-1		1404-		02	AB		IDN
3		GUARD; MUD, RR 8-98196-109-0		1312-1403	L	01	A		
		8-98196-109-0		1404-	L	01	AB		
		8-98219-767-0		1312-1403	R	01	A		
		8-98219-767-0		1404-	R	01	AB		
6		NUT; SPLASH GUARD 8-94197-199-0		1402-	R	02	A		MIXER CHASSIS<6NR> M6 FLANGE
9		GUARD; SPLASH, WHEEL HOUSE 8-98040-120-2		1312-1403	L	01	A		
		8-98040-120-2		1404-	L	01	AB		
		8-98040-119-2		1312-1403	R	01	A		
		8-98040-119-2		1404-	R	01	AB		
23		FASTENER; MUD COVER 1-09987-248-1		1312-1403		04	A		D8X13.5
		1-09987-248-1		1404-		04	AB		D8X13.5
32		NUT; MUD GUARD 8-97329-625-0		1312-1403		02	A		M8 W/DISHED WASHER
		8-97329-625-0		1404-		02	AB		M8 W/DISHED WASHER
33		BOLT; MUD COVER 1-09980-495-0		1312-1403		12	A		M6X20 W/LK&PL WASHER
		1-09980-495-0		1404-		12	AB		M6X20 W/LK&PL WASHER
76		BOLT; MUD GUARD 1-09030-095-0		1312-1403		08	A		(B) M8X30 W/LK&PL WASHER
		1-09030-095-0		1404-		08	AB		(B) M8X30 W/LK&PL WASHER
		8-94331-747-1		1312-1403		08	A		(A) M8X25 W/LK&PL WASHER
		8-94331-747-1		1404-		08	AB		(A) M8X25 W/LK&PL WASHER
79		RETAINER; MUD COVER 8-98102-106-0		1312-1403	L	01	A		
		8-98102-106-0		1404-	L	01	AB		
		8-98102-105-0		1312-1403	R	01	A		
		8-98102-105-0		1404-	R	01	AB		
84		RIVET; MUD GUARD 5-09734-006-1		1312-1403	L	02	A		
		5-09734-006-1		1404-	L	02	AB		
92		NUT; MUD COVER 0-91180-106-0		1312-1403		08	A		M6 FLANGE
		0-91180-106-0		1404-		08	AB		M6 FLANGE
96		STAY; MUD GUARD 1-79931-519-4		1312-1403	L	01	A		
		1-79931-519-4		1404-	L	01	AB		
		1-79931-540-3		1312-1403	R	01	A		

KEY	R / C	PART NAME PART NUMBER	I T C	APPLIED DATE	L / R	Qty	APPLIED MODEL	RESTRICTION/REMARKS	
								A	B
96		1-79931-540-3		1404-	R	01	AB		
97		BOLT; STAY TO FRAME 0-28651-030-0		1312-1403		08	A		
		0-28651-030-0		1404-		08	AB		M10X30 FLANGE
		0-28651-035-0		1312-1403		02	A		M10X30 FLANGE
		0-28651-035-0		1404-		02	AB		M10X35 FLANGE IDN
135		BRACKET; SIDE PANEL 1-53457-191-0		1312-1403		02	A		
		1-53457-191-0		1404-		02	AB		
139		PANEL; SIDE 1-53194-591-0		1312-1403	L	01	A		(B)
		1-53194-591-0		1404-	L	01	AB		(B)
		1-53194-620-5		1312-1403	L	01	A		(A)
		1-53194-620-5		1404-	L	01	AB		(A)
		1-53194-590-0		1312-1403	R	01	A		(B)
		1-53194-590-0		1404-	R	01	AB		(B)
		1-53194-619-4		1312-1403	R	01	A		(A)
		1-53194-619-4		1404-	R	01	AB		(A)
140		BOLT; SIDE PANEL 1-09030-095-0		1312-1403		06	A		
		1-09030-095-0		1404-		06	AB		M8X30 W/LK&PL WASHER
		1-09030-095-0		1312-1403		10	A		M8X30 W/LK&PL WASHER
		1-09030-095-0		1404-		10	AB		M8X30 W/LK&PL WASHER
150		NUT; SIDE PANEL 8-97329-625-0		1312-1403		04	A		
		8-97329-625-0		1404-		04	AB		M8 W/DISHED WASHER
153		BOLT; BRKT 1-09030-093-0		1312-1403	L	01	A		
		1-09030-093-0		1404-	L	01	AB		M8X25 W/LK&PL WASHER
181		BOLT; COVER, SIDE 8-98059-720-0		1312-1403		16	A		
		8-98059-720-0		1404-		16	AB		M8X24.5 W/LK&PL WASHER
192		SEAL; MUD COVER 8-98041-159-2		1312-1403	L	01	A		
		8-98041-159-2		1404-	L	01	AB		
		8-98041-158-1		1312-1403	R	01	A		
		8-98041-158-1		1404-	R	01	AB		
218		FASTENER; RUBBER 1-09987-248-1		1312-1403		10	A		
		1-09987-248-1		1404-		10	AB		D8X13.5
219		FLAP; MUD GUARD 8-98041-149-1		1312-1403		02	A		
		8-98041-149-1		1404-		02	AB		D8X13.5
225		NUT; MUD GUARD 0-91180-108-0		1312-1403		02	A		(A) M8 FLANGE

KEY	R / C	PART NAME PART NUMBER	I T C	APPLIED DATE	L / R	Qty	APPLIED MODEL	RESTRICTION/REMARKS	
								A	B
225		0-91180-108-0		1404-		02	AB	A FVZ WIDE CAB (FGZ5MV)	B GVZ WIDE CAB (GGZ5MV)
		8-97329-625-0		1312-1403		02	A	(A) M8 FLANGE	
		8-97329-625-0		1404-		02	AB	(B) M8 W/DISHED WASHER	
254		COVER; MUD, VALANCE						(B) M8 W/DISHED WASHER	
		8-98039-926-1		1312-1403	L	01	A		
		8-98039-926-1		1404-	L	01	AB		
		8-98039-925-2		1312-1403	R	01	A		
		8-98039-925-2		1404-	R	01	AB		
304		BOLT; SPLASH GUARD							
		1-09980-495-0		1402-	R	02	A	MIXER CHASSIS<6NR>	M6X20 W/LK&PL WASHER
305		FASTENER; SPLASH GUARD							
		1-09987-248-1		1402-	R	02	A	MIXER CHASSIS<6NR>	D8X13.5
306		BRACKET; MUD GUARD							
		8-98196-125-0		1312-1403	L	01	A		
		8-98196-125-0		1404-	L	01	AB		
307		RETAINER							
		1-09987-248-1		1312-1403		14	A		D8X13.5
		1-09987-248-1		1404-		14	AB		D8X13.5
680		GUARD; MUD, UPPER							
		8-98123-402-0		1312-1403	R	01	A		
		8-98123-402-0		1404-	R	01	AB		
6-05		Move to 6-05							
6-20		Move to 6-20							
6-70		Move to 6-70							
1-31		Move to 1-31							
5-01		Move to 5-01							

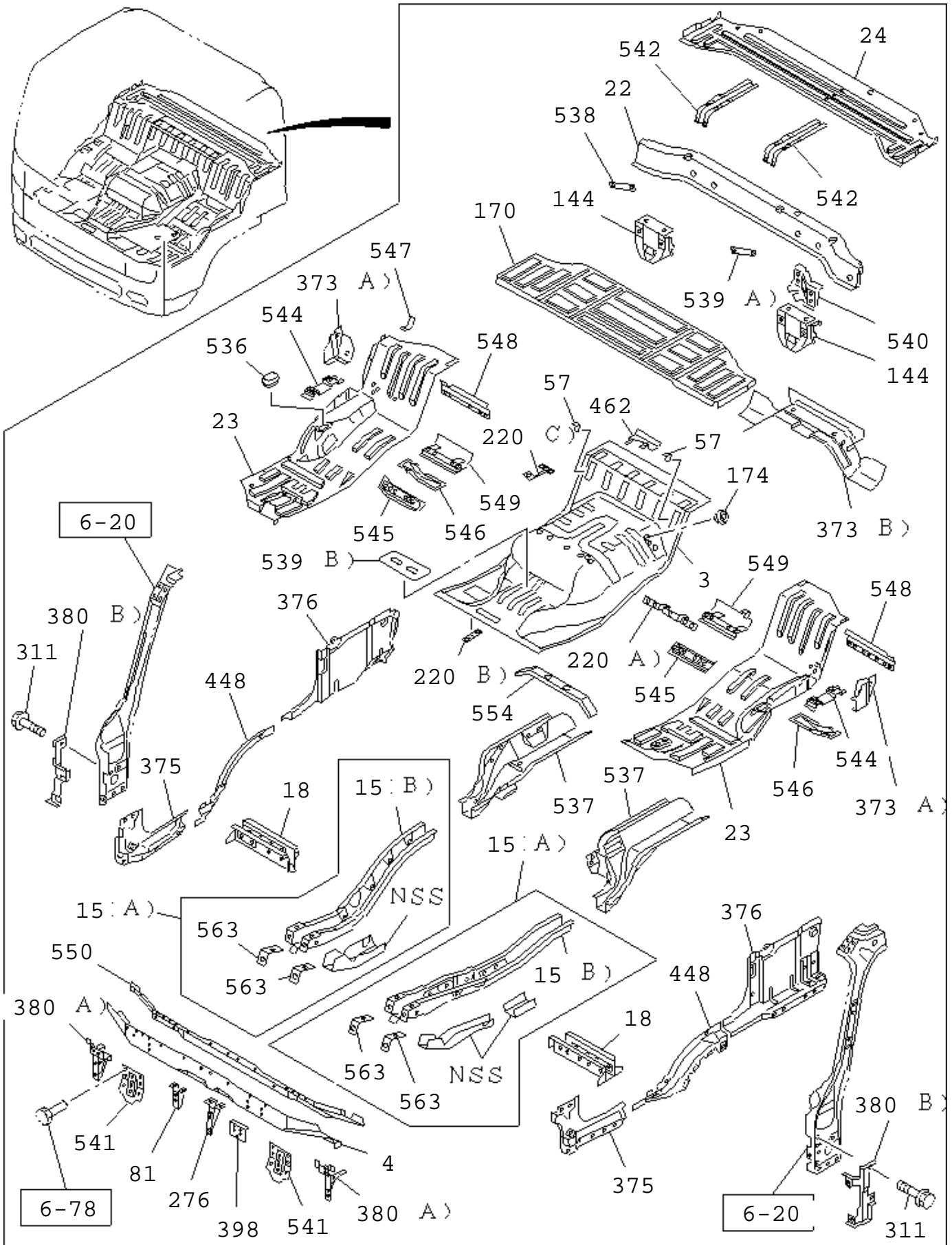


KEY	R / C	PART NAME PART NUMBER	I T C	APPLIED DATE	Qty	APPLIED MODEL	RESTRICTION/REMARKS	
							A	B
1		PANEL; ROOF 8-98246-477-0		1312-1403	01	A		
		8-98246-477-0		1404-	01	AB		
23		REINFORCEMENT; ROOF PANEL,FRT 8-98019-316-0		1312-1403	01	A		
		8-98019-316-0		1404-	01	AB		
79		REINFORCEMENT; ROOF PANEL,RR 8-97584-200-1		1312-1403	01	A		
		8-97584-200-1		1404-	01	AB		
80		PANEL; HEADER,ROOF 8-98196-921-0		1312-1403	01	A		
		8-98196-921-0		1404-	01	AB		
81		BOLT; ROOF 8-98141-874-0		1312-1403	08	A		
		8-98141-874-0		1404-	08	AB		M8X15.5 HEX SOCKET IDN
99		SEAL; BODY,METAL 1-61281-380-2		1312-1403	02	A		
		1-61281-380-2		1404-	02	AB		30X30 ID=20 T=0.7
146		REINFORCEMENT; ROOM LAMP 8-98075-827-0		1312-1403	01	A		
		8-98075-827-0		1404-	01	AB		IDN
148		REINFORCEMENT; MIRROR 8-97411-015-1		1312-1403	01	A		
		8-97411-015-1		1404-	01	AB		IDN



HEAD LINING AND TRIM

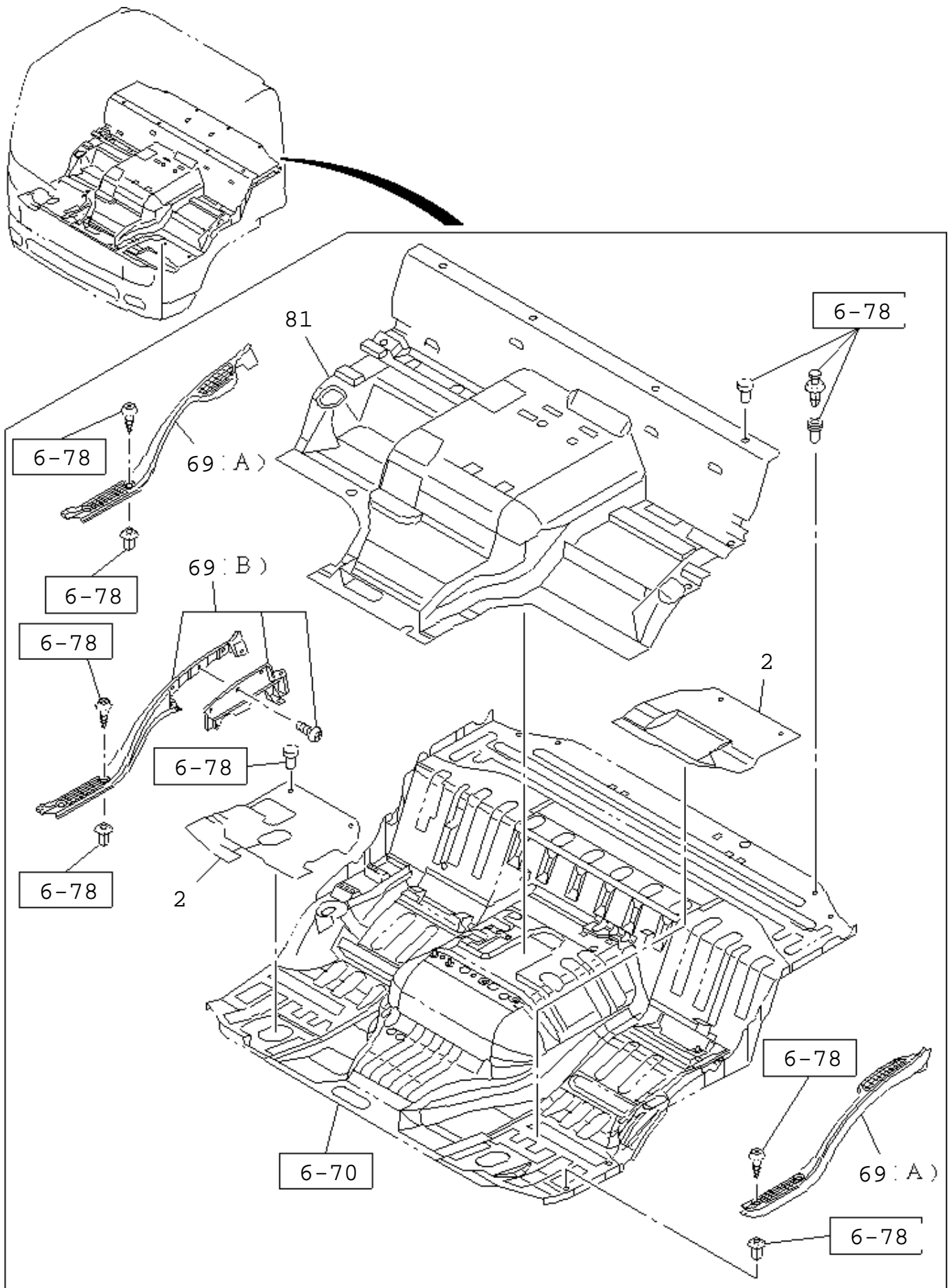
KEY	R / C	PART NAME PART NUMBER	I T C	APPLIED DATE	Qty	APPLIED MODEL	RESTRICTION/REMARKS	
							A	B
1		LINING; HD 8-97426-727-0		1312-1403	01	A	A FVZ WIDE CAB(FGZ5MV)	B GVZ WIDE CAB(GGZ5MV)
		8-97426-727-0		1404-	01	AB	DARK GRAY	
2		LINING; HD, ROOF RR 8-97407-455-5		1312-1403	01	A	DARK GRAY	
		8-97407-455-5		1404-	01	AB	DARK GRAY	
71		FASTENER; HD LINING 8-97405-282-0		1312-1403	07	A	DARK GRAY	
		8-97405-282-0		1404-	07	AB	DARK GRAY	
172		RETAINER; HEAD LINING 8-97411-875-0		1312-1403	14	A	DARK GRAY	
		8-97411-875-0		1404-	14	AB	DARK GRAY	



KEY	R / C	PART NAME PART NUMBER	I T C	APPLIED DATE	L / R	Qty	APPLIED MODEL	RESTRICTION/REMARKS	
								A	B
3		HOOD ASM; ENG 8-98053-677-9 8-98053-677-9 8-98167-036-0		1312-1403 1404- 1312-		01 01 01	A AB A	A	FVZ WIDE CAB(FGZ5MV) GVZ WIDE CAB(GGZ5MV) FULLER ES11109 DD M/T(Y5N) FULLER ES11109 DD M/T(Y5N) ZF9S1110 DD M/T(Y5P)
4		FRAME; FLOOR,FRT 8-98073-693-1 8-98073-693-1		1312-1403 1404-		01 01	A AB		
15		FRAME; UNDER 8-97584-387-9 8-97584-387-9 8-97584-388-9 8-97584-388-9 8-97584-411-9 8-97584-411-9 8-97584-412-7 8-97584-412-7		1312-1403 1404- 1312-1403 1404- 1312-1403 1404- 1312-1403 1404-	R R R R L L L L	01 01 01 01 01 01 01 01	A AB A AB A AB A AB	(A) (A) (B) (B) (A) (A) (A) (B) (B)	
18		FRAME; FLOOR,CENTER SIDE 8-97584-398-4 8-97584-398-4 8-97584-421-4 8-97584-421-4		1312-1403 1404- 1312-1403 1404-	R R L L	01 01 01 01	A AB A AB		
22		FRAME; FLOOR REAR 8-97584-431-5 8-97584-431-5		1312-1403 1404-		01 01	A AB		
23		PANEL; FLOOR,SIDE 8-97584-372-7 8-97584-372-7 8-98073-691-1 8-98073-691-1		1312-1403 1404- 1312-1403 1404-	L L R R	01 01 01 01	A AB A AB		
24		PANEL; BED PAN 8-97584-378-6 8-97584-378-6		1312-1403 1404-		01 01	A AB		
57		BRACKET; SPARE TIRE 8-98038-970-1 8-98038-970-1		1312-1403 1404-		02 02	A AB		
81		BRACKET; HARNESS SUPPORT 8-98041-333-3 8-98041-333-3		1312-1403 1404-		01 01	A AB		
144		BRACKET; MTG,RR 8-97584-432-6 8-97584-432-6 8-97589-666-6 8-97589-666-6		1312-1403 1404- 1312-1403 1404-	L L R R	01 01 01 01	A AB A AB		
170		EXTENSION; RR FLOOR 8-97589-207-4 8-97589-207-4		1312-1403 1404-		01 01	A AB		
174		GROMMET; AIR PIPE 8-94122-971-0 8-94122-971-0		1312-1403 1404-		01 01	A AB	OD=35 IDN	
220		PATCH 8-97588-840-4 8-97588-840-4 8-97589-603-3 8-97589-603-3 8-97589-627-2 8-97589-627-2		1312-1403 1404- 1312-1403 1404- 1312-1403 1404-	L L R R L L	01 01 01 01 01 01	A AB A AB A AB	(A) (A) (B) (B) (C) (C)	

KEY	R / C	PART NAME PART NUMBER	I T C	APPLIED DATE	L / R	Qty	APPLIED MODEL	RESTRICTION/REMARKS	
								A	B
276		BRACKET; RAD GRILLE 8-97589-596-3		1312-1403		01	A		
		8-97589-596-3		1404-		01	AB		
311		BOLT; BRKT 0-28650-616-0		1312-1403		04	A		
		0-28650-616-0		1404-		04	AB		M6X16 FLANGE
373		REINFORCEMENT; SEAT BELT 8-97584-345-9		1312-1403		01	A		
		8-97584-345-9		1404-		01	AB		(B)
		8-97584-367-2		1312-1403	R	01	A		(B)
		8-97584-367-2		1404-	R	01	AB		(A)
		8-97584-375-2		1312-1403	L	01	A		(A)
		8-97584-375-2		1404-	L	01	AB		(A)
375		CLOSING; PILLAR 8-98044-897-3		1312-1403	R	01	A		
		8-98044-897-3		1404-	R	01	AB		
		8-98044-898-3		1312-1403	L	01	A		
		8-98044-898-3		1404-	L	01	AB		
376		CLOSING; PILLAR,LWR 8-97589-554-4		1312-1403	R	01	A		
		8-97589-554-4		1404-1404	R	01	AB		
		8-98199-228-0		1404-	R	01	AB		
		8-97589-556-5		1312-1403	L	01	A		
		8-97589-556-5		1404-	L	01	AB		
380		BRACKET; HEAD LAMP 8-97584-460-2		1312-1403	L	01	A		
		8-97584-460-2		1404-	L	01	AB		(A)
		8-97589-506-2		1312-1403	R	01	A		(A)
		8-97589-506-2		1404-	R	01	AB		(A)
		8-98032-615-1		1312-1403	L	01	A		(A)
		8-98032-615-1		1404-	L	01	AB		(B)
		8-98032-614-1		1312-1403	R	01	A		(B)
		8-98032-614-1		1404-	R	01	AB		(B)
398		BRACKET; PIPE SUPPORT 8-97589-681-3		1312-1403		01	A		
		8-97589-681-3		1404-		01	AB		
448		CLOSING; ROCKER 8-97589-551-2		1312-1403	R	01	A		
		8-97589-551-2		1404-	R	01	AB		
		8-97589-552-2		1312-1403	L	01	A		
		8-97589-552-2		1404-	L	01	AB		
462		BRACKET; EXTINGUISHER 8-97585-688-1		1312-1403		01	A		
		8-97585-688-1		1404-		01	AB		
536		PLUG; CABLE,PTO 8-97612-074-1		1312-1403		01	A		
		8-97612-074-1		1404-		01	AB		
537		SUPPORT ASM; MTG RR 8-97584-391-4		1312-1403	R	01	A		
		8-97584-391-4		1404-	R	01	AB		
		8-97584-417-4		1312-1403	L	01	A		
		8-97584-417-4		1404-	L	01	AB		
538		REINFORCEMENT ASM; AIR INT DUCT 8-97610-207-2		1312-1403		01	A		
		8-97610-207-2		1404-		01	AB		
539		PATCH ASM; SAFTY HOOK 8-97584-440-2		1312-1403		01	A		
									(A)

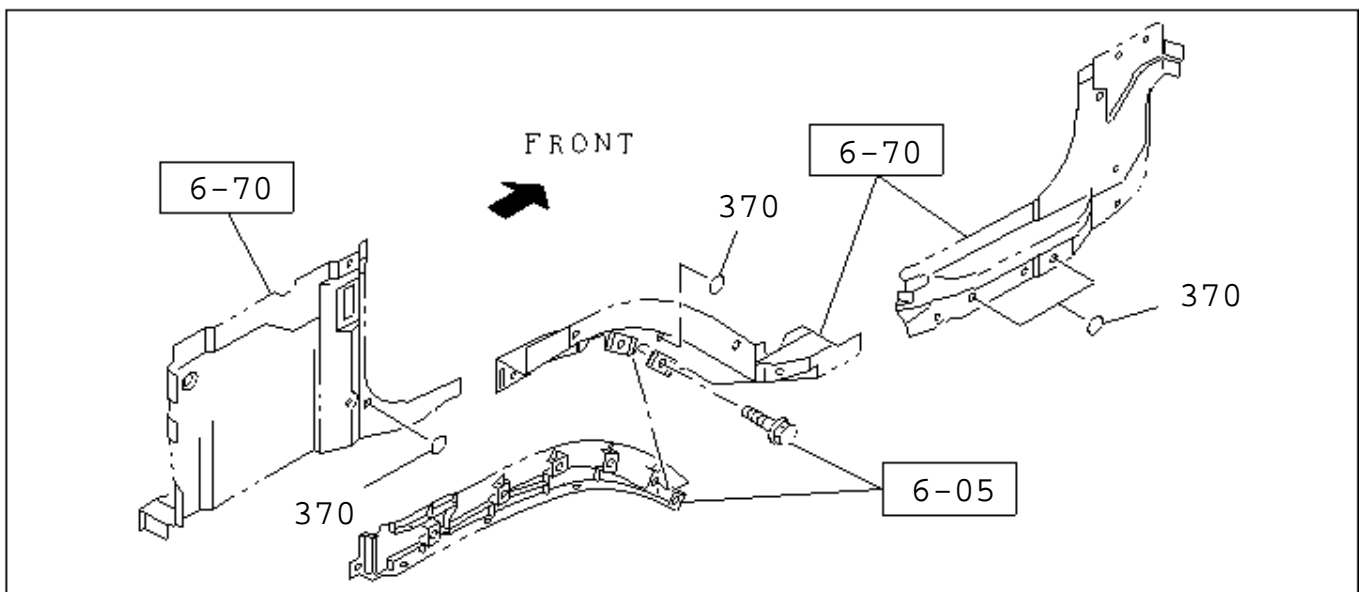
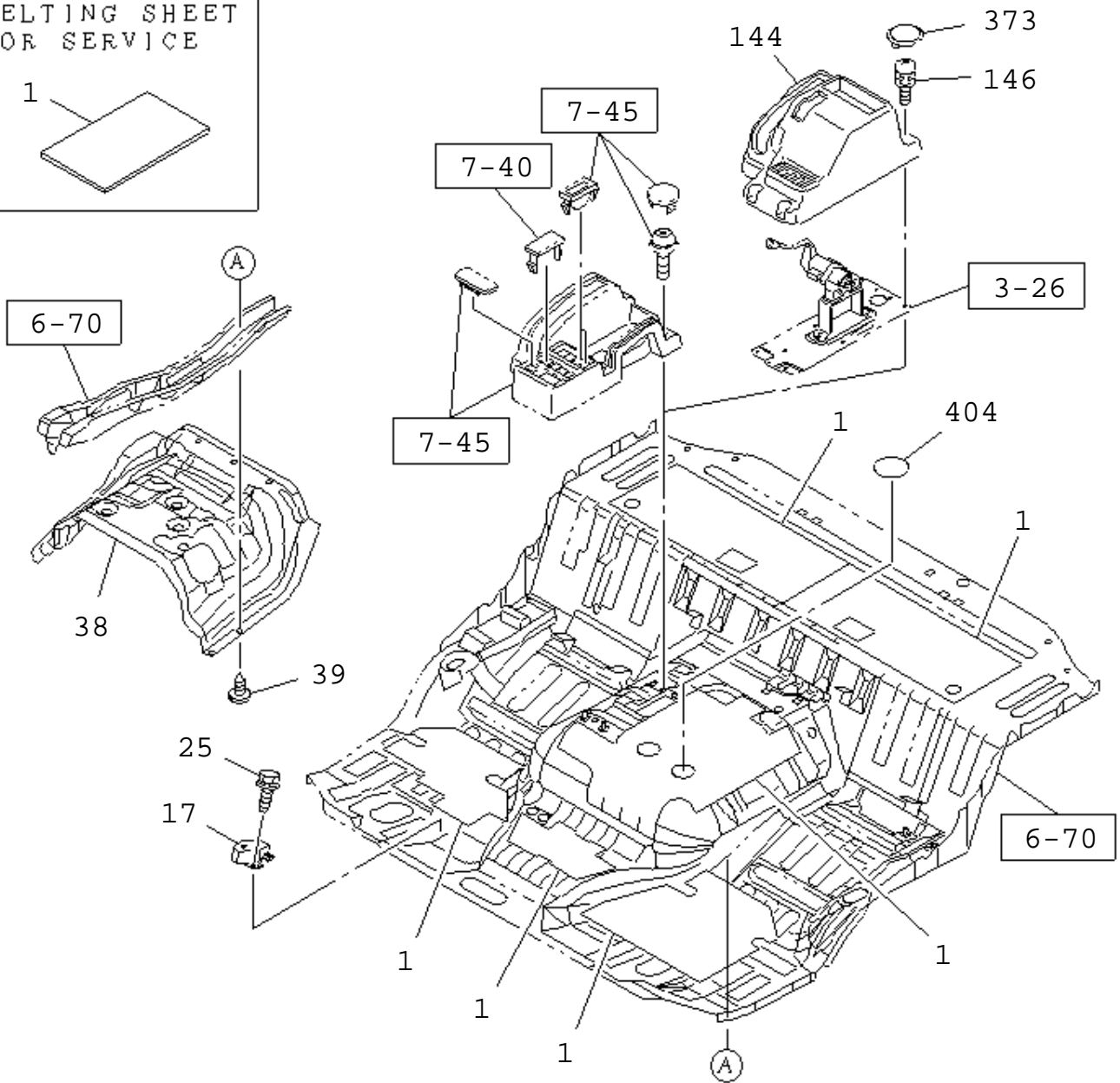
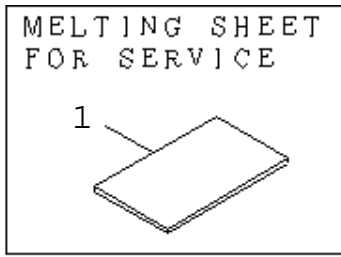
KEY	R / C	PART NAME PART NUMBER	I T C	APPLIED DATE	L / R	Qty	APPLIED MODEL	RESTRICTION/REMARKS	
								A	B
539		8-97584-440-2		1404-		01	AB		
		8-98131-661-0		1312-1403		01	A	(A)	
		8-98131-661-0		1404-		01	AB	(B) IDN	
540		BRACKET ASM; CAB LOCK LEVER 8-97584-438-1		1312-1403		01	A		
		8-97584-438-1		1404-		01	AB		
541		REINFORCEMENT; MTG, FRT 8-98067-903-0		1312-1403		02	A		
		8-98067-903-0		1404-		02	AB		
542		BOLSTER; BED PAN 8-97589-685-1		1312-1403		02	A		
		8-97589-685-1		1404-		02	AB		
544		BRACKET; DUMP CONT 8-97584-363-1		1312-1403	R	01	A		
		8-97584-363-1		1404-	R	01	AB		
		8-98049-529-0		1312-1403	L	01	A		
		8-98049-529-0		1404-	L	01	AB		
545		BRACKET; SEAT FRT 8-97584-361-1		1312-1403	R	01	A		
		8-97584-361-1		1404-	R	01	AB		
		8-97584-373-1		1312-1403	L	01	A		
		8-97584-373-1		1404-	L	01	AB		
546		REINFORCEMENT; FLOOR SIDE 8-97584-427-0		1312-1403		02	A		
		8-97584-427-0		1404-		02	AB		
547		BRACKET; JACK HANDLE 8-97588-843-1		1312-1403		01	A		
		8-97588-843-1		1404-		01	AB		
548		BRACKET; MUD GUARD 8-97588-961-1		1312-1403	R	01	A		
		8-97588-961-1		1404-	R	01	AB		
		8-97588-962-1		1312-1403	L	01	A		
		8-97588-962-1		1404-	L	01	AB		
549		BRACKET; SEAT RR 8-97588-958-4		1312-1403	L	01	A		
		8-97588-958-4		1404-	L	01	AB		
		8-97589-557-4		1312-1403	R	01	A		
		8-97589-557-4		1404-	R	01	AB		
550		CLOSING ASM; MTG, FRT 8-97584-615-4		1312-1403		01	A		
		8-97584-615-4		1404-		01	AB		
554		REINFORCEMENT; FLOOR CENTER 8-97584-351-2		1312-1403		01	A		
		8-97584-351-2		1404-		01	AB		
563		REINFORCEMENT; MTG FRT, RR 8-97589-579-2		1312-1403		04	A		
		8-97589-579-2		1404-		04	AB		
6-20		Move to 6-20							
6-78		Move to 6-78							



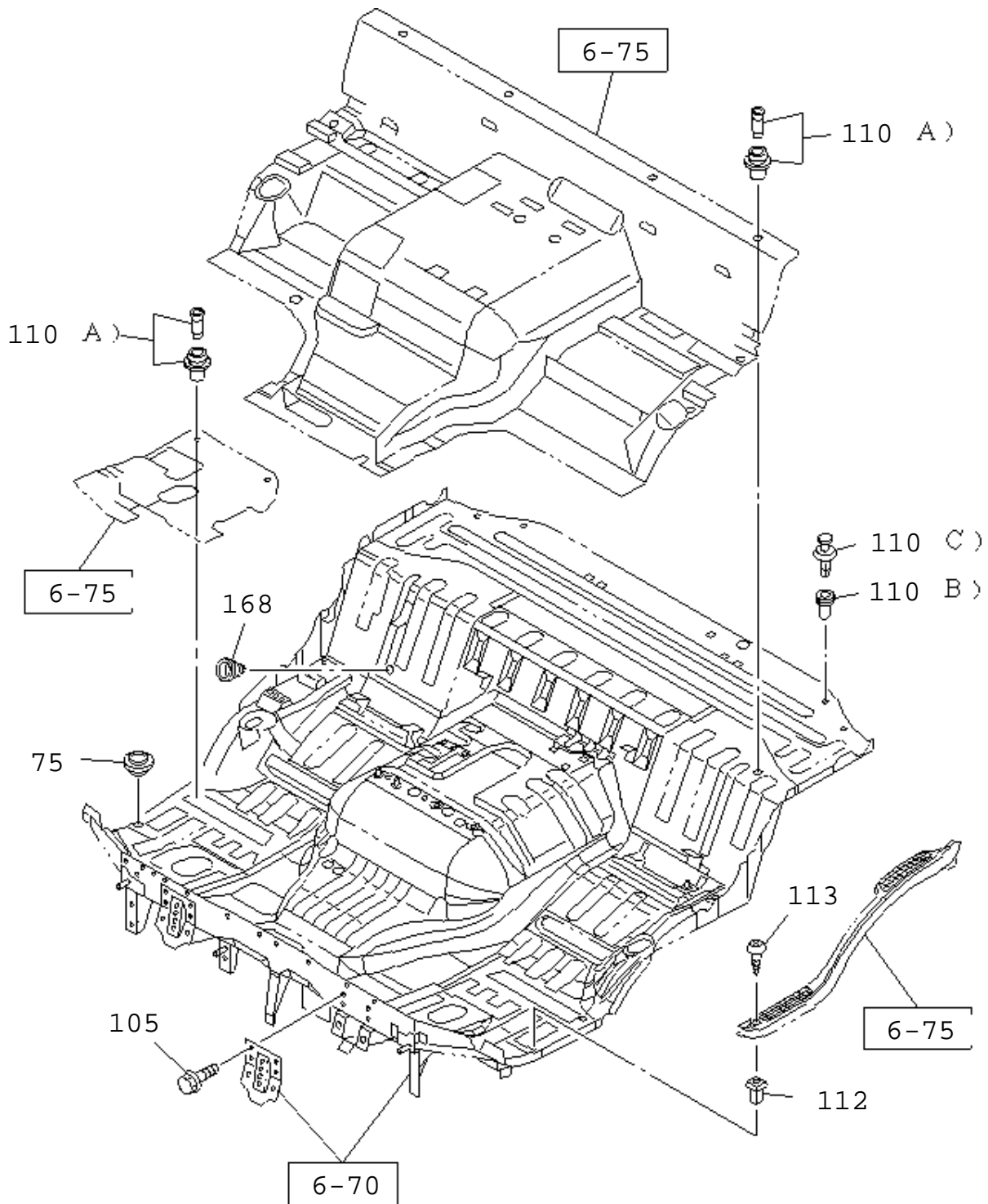
6-75

MAT AND CARPET

KEY	R / C	PART NAME PART NUMBER	I T C	APPLIED DATE	L / R	Qty	APPLIED MODEL	RESTRICTION/REMARKS
								A FVZ WIDE CAB(FGZ5MV) B GVZ WIDE CAB(GGZ5MV)
2		MAT; FLOOR 8-97407-746-5		1312-1403	R	01	A	
		8-97407-746-5		1404-	R	01	AB	GRAY
		8-97407-747-2		1312-1403	L	01	A	GRAY
		8-97407-747-2		1404-	L	01	AB	GRAY
69		COVER; TRIM, FLOOR MAT, DOOR SIDE 8-97407-413-1		1312-1403	L	01	A	(A) GRAY
		8-97407-413-1		1404-	L	01	AB	(A) GRAY
		8-97407-414-2		1312-1401	R	01	A	DUMP CONTROL LEVER<RC4> (B) GRAY
		8-97407-414-2		1402-	R	01	A	DUMP CONTROL LEVER<RC4> (B) GRAY
		8-97407-414-2		1402-	R	01	A	MIXER CHASSIS<6NR> EXC. DUMP CONTROL LEVER<RC4> (B) GRAY
		8-97407-412-1		1312-1401	R	01	A	EXC. DUMP CONTROL LEVER<RC4> (A) GRAY
		8-97407-412-1		1402-1403	R	01	A	EXC. DUMP CONTROL LEVER<RC4>, MIXER (A) GRAY
		8-97407-412-1		1404-	R	01	A	EXC. DUMP CONTROL LEVER<RC4>, MIXER (A) GRAY
		8-97407-412-1		1404-	R	01	B	(A) GRAY
81		MAT; FLOOR, CENTER 8-97427-856-0		1404-		01	B	GRAY
		8-97407-406-3		1312-		01	A	GRAY
6-70		Move to 6-70						IDN
6-78		Move to 6-78						



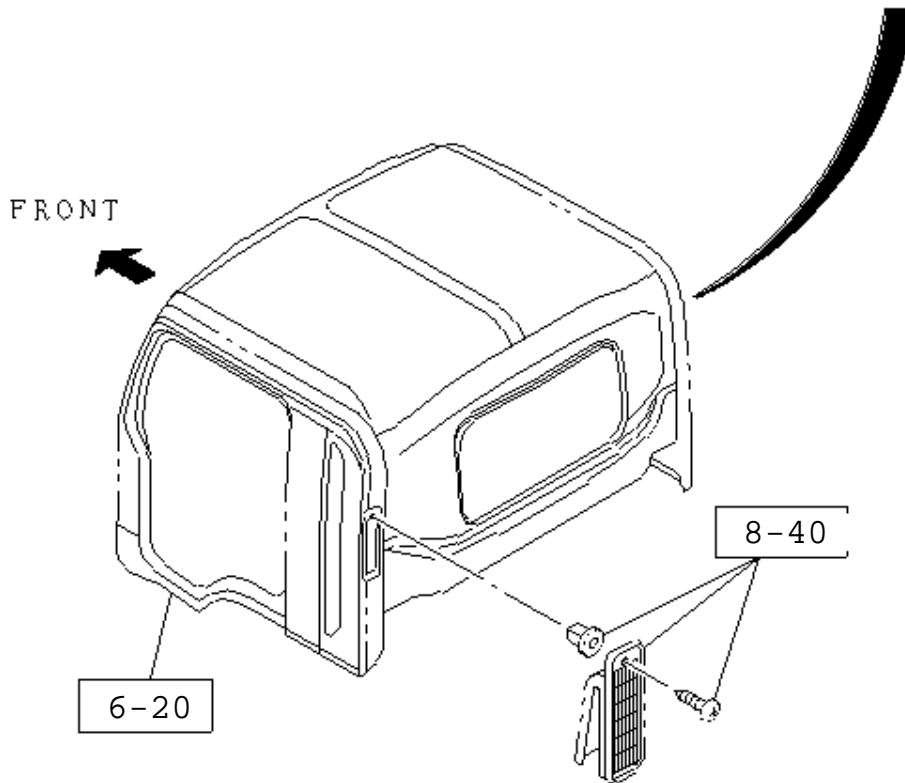
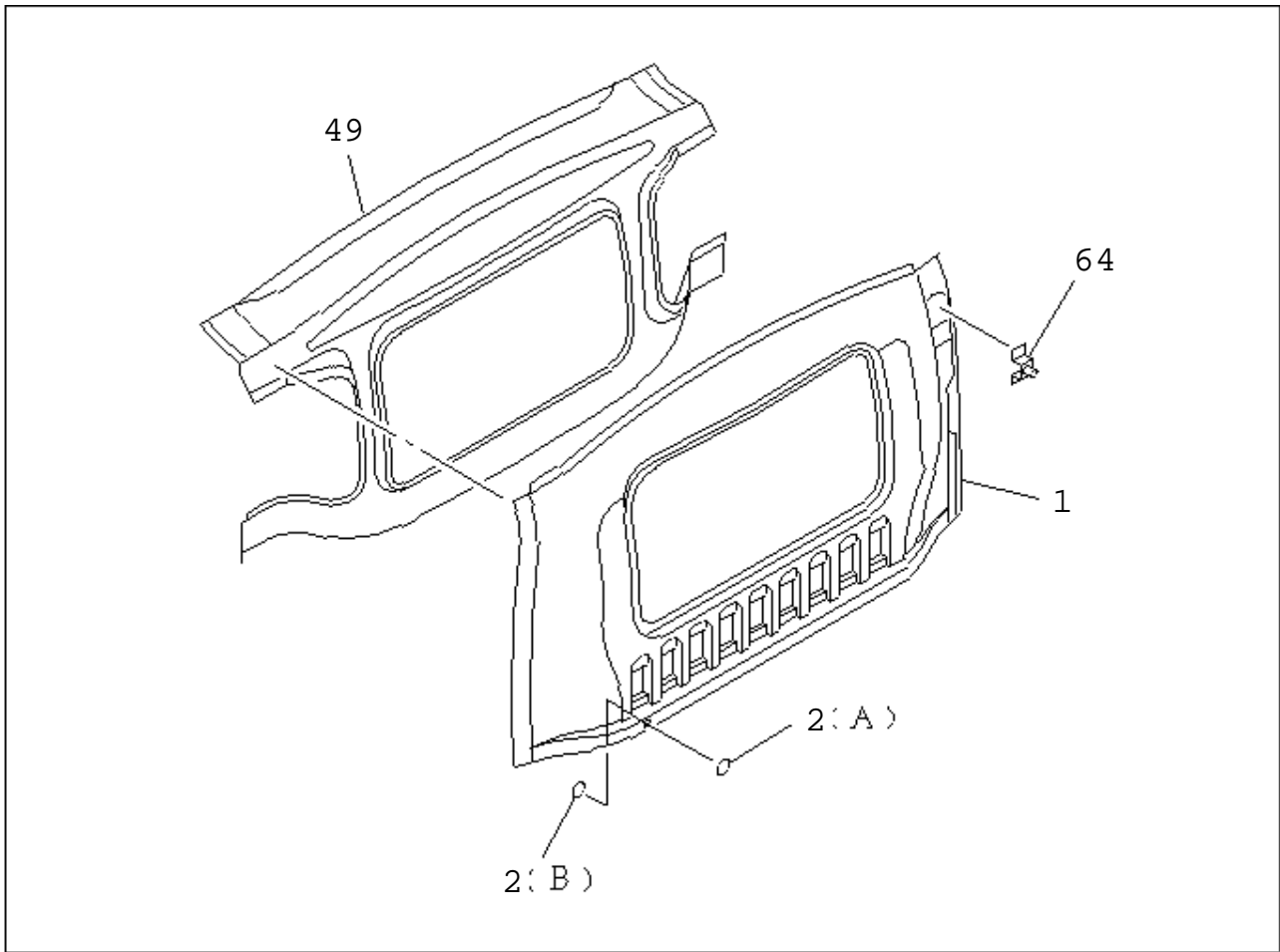
KEY	R / C	PART NAME PART NUMBER	I T C	APPLIED DATE	Qty	APPLIED MODEL	RESTRICTION/REMARKS
							A FVZ WIDE CAB(FGZ5MV) B GVZ WIDE CAB(GGZ5MV)
1		SHEET; MELTING, FLOOR 8-94262-093-0		1312-1403	AR	A	
		8-94262-093-0		1404-	AR	AB	NON ASBESTOS 1000X600 T=1.5; PARTS ONLY
17		REST; FOOT, DRIVER 8-98076-322-1		1312-1403	01	A	
		8-98076-322-1		1404-	01	AB	NON ASBESTOS 1000X600 T=1.5; PARTS ONLY
25		SCREW; FOOT REST 8-94279-201-0		1312-1403	03	A	
		8-94279-201-0		1404-	03	AB	M6X19.5 W/LK&PL WASHER
38		INSULATOR; ENG COVER 8-98248-305-0		1312-1403	01	A	
		8-98248-305-0		1404-	01	AB	M6X19.5 W/LK&PL WASHER
39		CLIP; INSULATOR, COVER 8-97808-623-0		1312-1403	17	A	
		8-97808-623-0		1404-	17	AB	ID=6.2 L=11.4
144		COVER; HAND BRK VLV 8-97427-857-1		1404-	01	B	ID=6.2 L=11.4
146		BOLT; COVER BRKT 0-38050-616-0		1404-	04	B	
370		SEAL; LOCATION HOLE 8-98230-420-0		1312-1403	08	A	
		8-98230-420-0		1404-	08	AB	OD=30 T=0.8
373		COVER; HOLE 8-97407-951-0		1404-	02	B	OD=30 T=0.8
404		SEAL; FLOOR, HOLE 1-76798-019-0		1312-1403	02	A	
		1-76798-019-0		1404-	02	AB	OD=25 BLACK
		1-76798-019-0		1312-1403	12	A	OD=25 BLACK
		1-76798-019-0		1404-	12	AB	OD=25 BLACK
3-26		Move to 3-26					
6-05		Move to 6-05					
6-70		Move to 6-70					
7-40		Move to 7-40					
7-45		Move to 7-45					



6-78

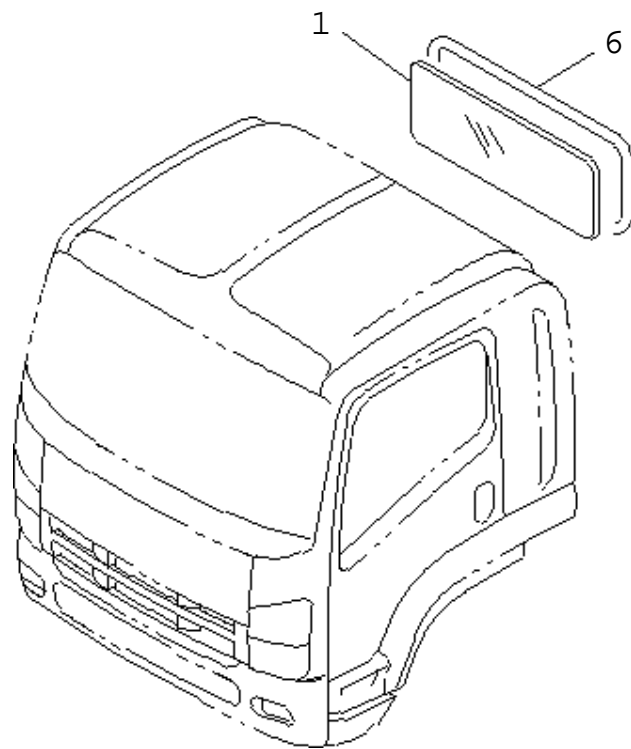
FLOOR HOLE PLUG

KEY	R / C	PART NAME PART NUMBER	I T C	APPLIED DATE	Qty	APPLIED MODEL	RESTRICTION/REMARKS	
							A	B
75		PLUG; RUBBER, FLOOR 1-09983-101-0		1312-1403	04	A	A FVZ WIDE CAB (FGZ5MV)	B GVZ WIDE CAB (GGZ5MV)
		1-09983-101-0		1404-	04	AB	OD=23.5	
105		BOLT; FLOOR 0-28661-030-0		1312-1403	16	A	OD=23.5	
		0-28661-030-0		1404-	16	AB	M10X30 FLANGE	
110		FASTENER; FLOOR MAT 8-94279-089-0		1312-1403	08	A	M10X30 FLANGE	
		8-94279-089-0		1404-	08	AB	(A) BLACK IDN	
		8-97319-495-0		1312-1403	04	A	(A) BLACK IDN	
		8-97319-495-0		1404-	04	AB	(B)	
		8-97405-247-0		1312-1403	04	A	(B)	
		8-97405-247-0		1404-	04	AB	(C) GRAY	
112		GROMMET; SCREW, TRIM COVER 8-94279-043-0		1312-1403	08	A	(C) GRAY	
		8-94279-043-0		1404-	08	AB	D=7.8X7.8 L=18 NATURAL IDN	
113		SCREW; TRIM COVER 0-72180-516-0		1312-1403	08	A	D=7.8X7.8 L=18 NATURAL IDN	
		0-72180-516-0		1404-	08	AB	M5X16 TAPPING	
168		COVER; HOLE, ANNTENA CABLE 1-79998-891-1		1312-1403	01	A	M5X16 TAPPING	
6-70		1-79998-891-1		1404-	01	AB		
6-75		Move to 6-70						
		Move to 6-75						



BACK PANEL

KEY	R / C	PART NAME PART NUMBER	I T C	APPLIED DATE	Qty	APPLIED MODEL	RESTRICTION/REMARKS
							A FVZ WIDE CAB(FGZ5MV) B GVZ WIDE CAB(GGZ5MV)
1		PANEL; BACK OUTER 8-97584-602-3		1312-1403	01	A	
		8-97584-602-3		1404-	01	AB	
2		GROMMET; LOCATION HOLE, BACK PANEL 1-76798-019-0		1312-1403	02	A	(A) OD=25 BLACK
		1-76798-019-0		1404-	02	AB	(A) OD=25 BLACK
		5-76777-035-0		1312-1403	02	A	(B) OD=36 T=0.05 BLACK IDN
		5-76777-035-0		1404-	02	AB	(B) OD=36 T=0.05 BLACK IDN
49		PANEL; BACK INNER 8-97584-610-3		1312-1403	01	A	
		8-97584-610-3		1404-	01	AB	
64		BRACKET; AIR INTAKE DUCT 8-97584-611-1		1312-1403	01	A	IDN
		8-97584-611-1		1404-	01	AB	IDN
6-20		Move to 6-20					
8-40		Move to 8-40					

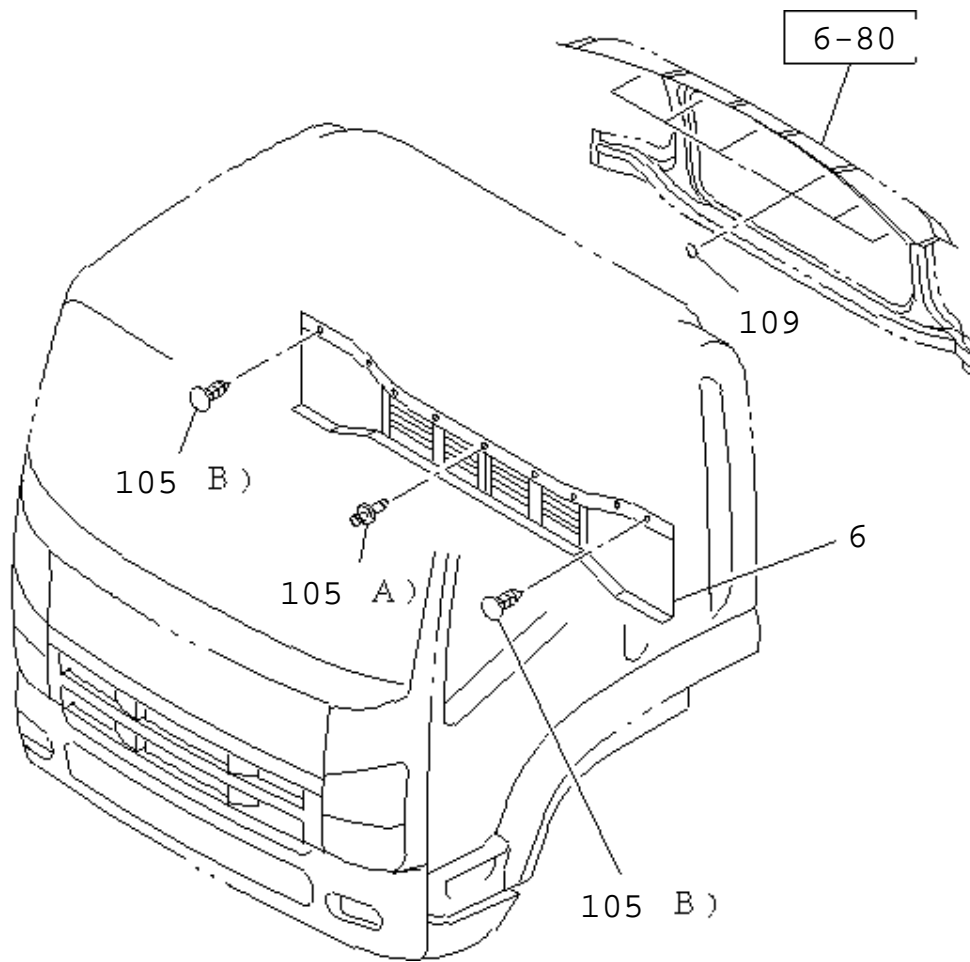


6-82

BACK GLASS AND WEATHERSTRIP

KEY	R / C	PART NAME PART NUMBER	I T C	APPLIED DATE	Qty	APPLIED MODEL	RESTRICTION/REMARKS
							A FVZ WIDE CAB(FGZ5MV) B GVZ WIDE CAB(GGZ5MV)
1		GLASS; BACKLIGHT 8-98041-665-0		1312-1403	01	A	
		8-98041-665-0		1404-	01	AB	IDN
6		WEATHERSTRIP; BACKLIGHT 8-98096-217-1		1312-1403	01	A	IDN
		8-98096-217-1		1404-	01	AB	IDN

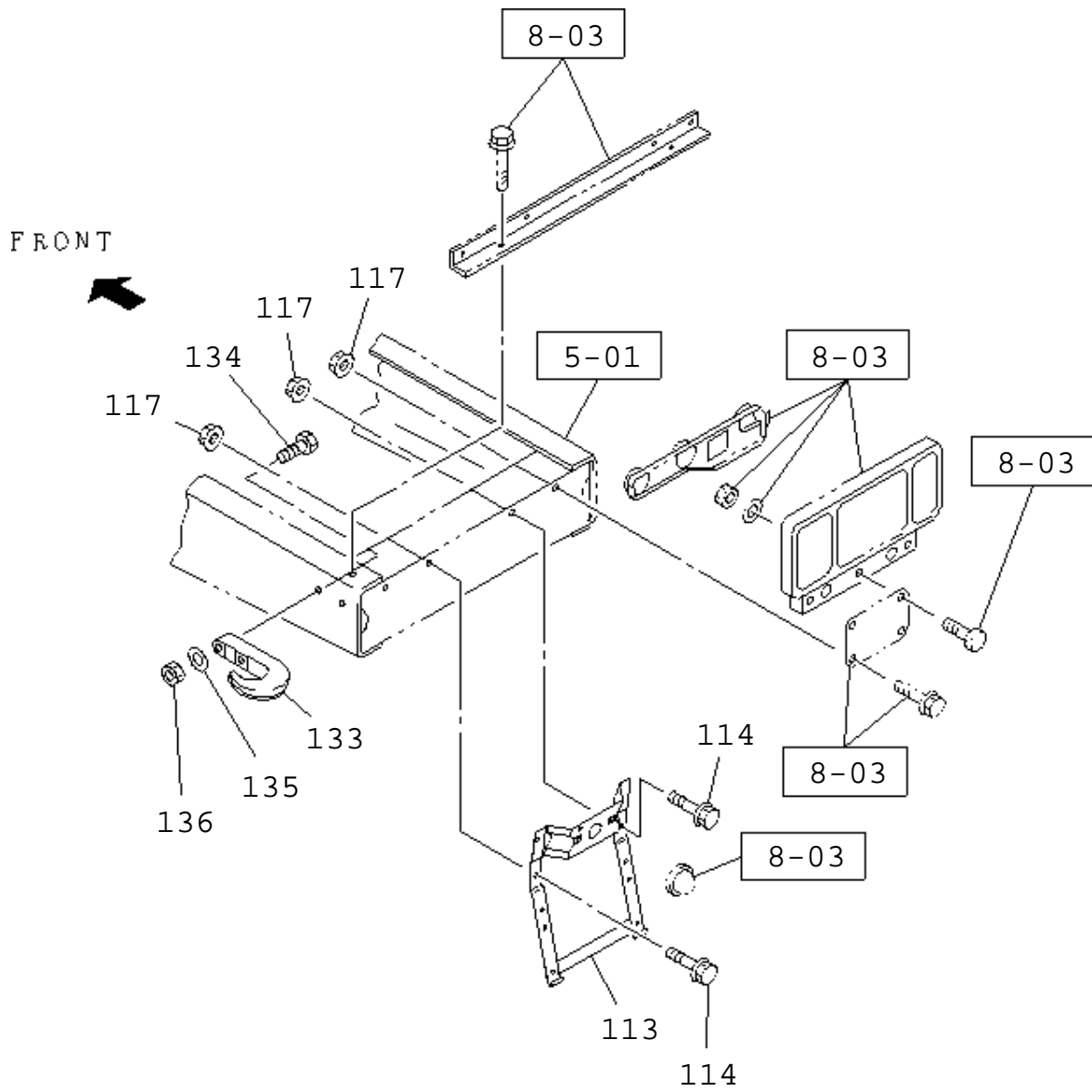
11567 FVZ/GVZ (INDONESIA) 2014-



6-84

BACK TRIM

KEY	R / C	PART NAME PART NUMBER	I T C	APPLIED DATE	Qty	APPLIED MODEL	RESTRICTION/REMARKS
							A FVZ WIDE CAB(FGZ5MV) B GVZ WIDE CAB(GGZ5MV)
6		MAT; SILENCER, CAB BACK 8-97925-565-0		1312-1403	01	A	IDN
		8-97925-565-0		1404-	01	AB	IDN
105		CLIP; BACK TRIM 8-97407-467-0		1312-1403	02	A	(B) GRAY
		8-97407-467-0		1404-	02	AB	(B) GRAY
		8-97408-022-0		1312-1403	07	A	(A) GRAY
		8-97408-022-0		1404-	07	AB	(A) GRAY
109		SEAL; HOLE 8-98059-421-0		1312-1403	06	A	OD=20 T=0.05 WHITE IDN
		8-98059-421-0		1404-	06	AB	OD=20 T=0.05 WHITE IDN
6-80		Move to 6-80					



6-90

REAR BUMPER

KEY	R / C	PART NAME PART NUMBER	I T C	APPLIED DATE	L / R	Qty	APPLIED MODEL	RESTRICTION/REMARKS
								A FVZ WIDE CAB (FGZ5MV) B GVZ WIDE CAB (GGZ5MV)
113		BRACKET; LICENSE PLATE 1-53485-074-0		1312-1403		01	A	
		1-53485-074-0		1404-		01	AB	
114		BOLT; BRKT,LICENSE PLATE 0-28650-825-0		1312-1403		02	A	
		0-28650-825-0		1404-		02	AB	M8X25 FLANGE IDN
117		NUT; BRKT 0-91180-210-0		1404-		02	B	
		0-91180-108-0		1312-1403		02	A	M10 FLANGE
		0-91180-108-0		1312-1403		02	A	M8 FLANGE
		0-91180-108-0		1404-		02	AB	M8 FLANGE
		0-91180-108-0		1404-		02	A	M8 FLANGE
133		HOOK 1-57181-027-1		1312-1403	L	01	A	TOW HOOK<V76>
		1-57181-027-1		1404-	L	01	AB	TOW HOOK<V76>
134		BOLT; HOOK 0-20851-650-0		1312-1403		01	A	TOW HOOK<V76>
		0-20851-650-0		1404-		01	AB	M16X50
		0-20851-660-0		1312-1403		01	A	TOW HOOK<V76>
		0-20851-660-0		1404-		01	AB	M16X50 TOW HOOK<V76> M16X60
135		WASHER; LK,HOOK 0-91510-816-0		1312-1403		02	A	TOW HOOK<V76>
		0-91510-816-0		1404-		02	AB	ID=16.2 TOW HOOK<V76> ID=16.2
136		NUT; HOOK 0-91110-516-0		1312-1403		02	A	TOW HOOK<V76>
		0-91110-516-0		1404-		02	AB	M16 TOW HOOK<V76> M16
5-01		Move to 5-01						
8-03		Move to 8-03						