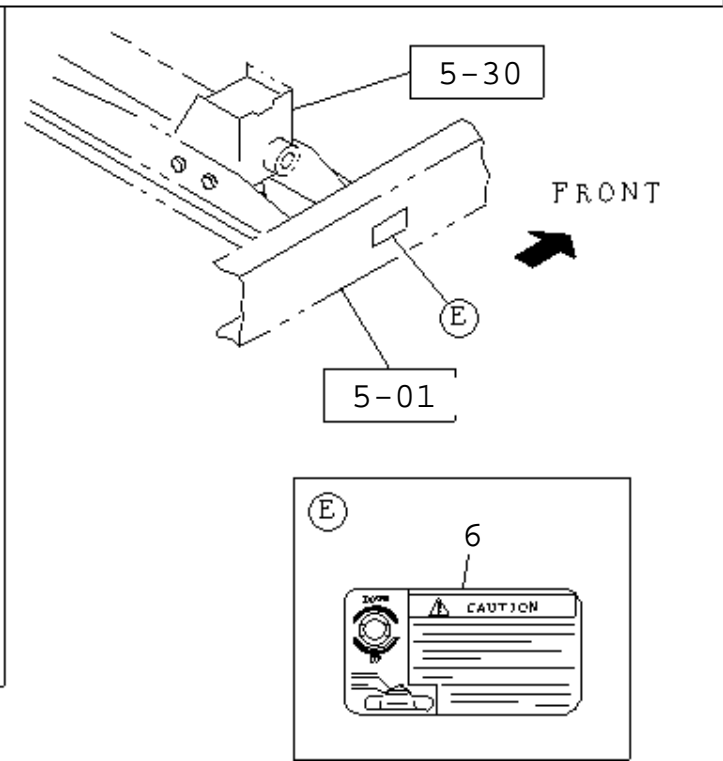
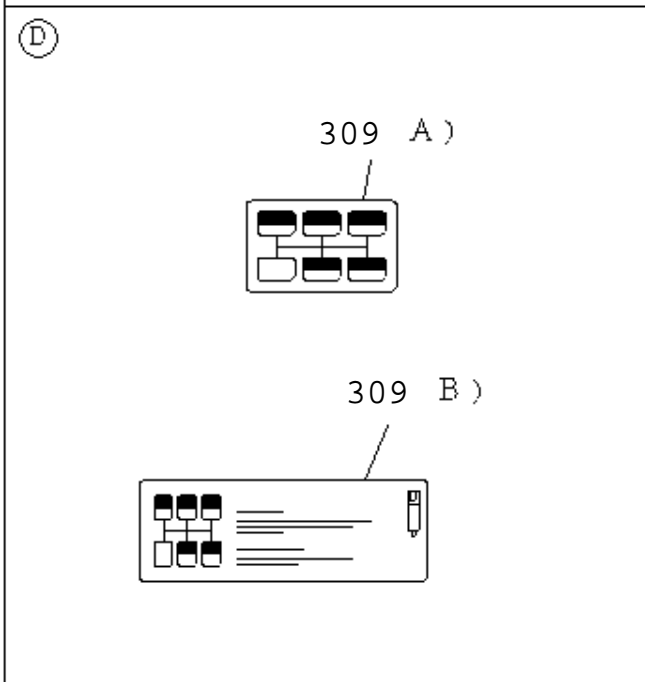
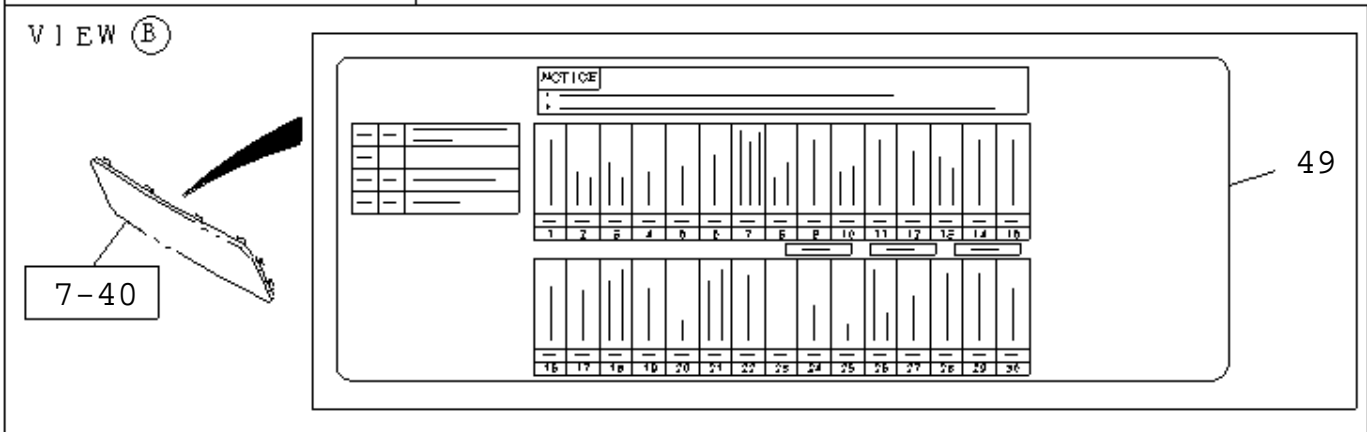
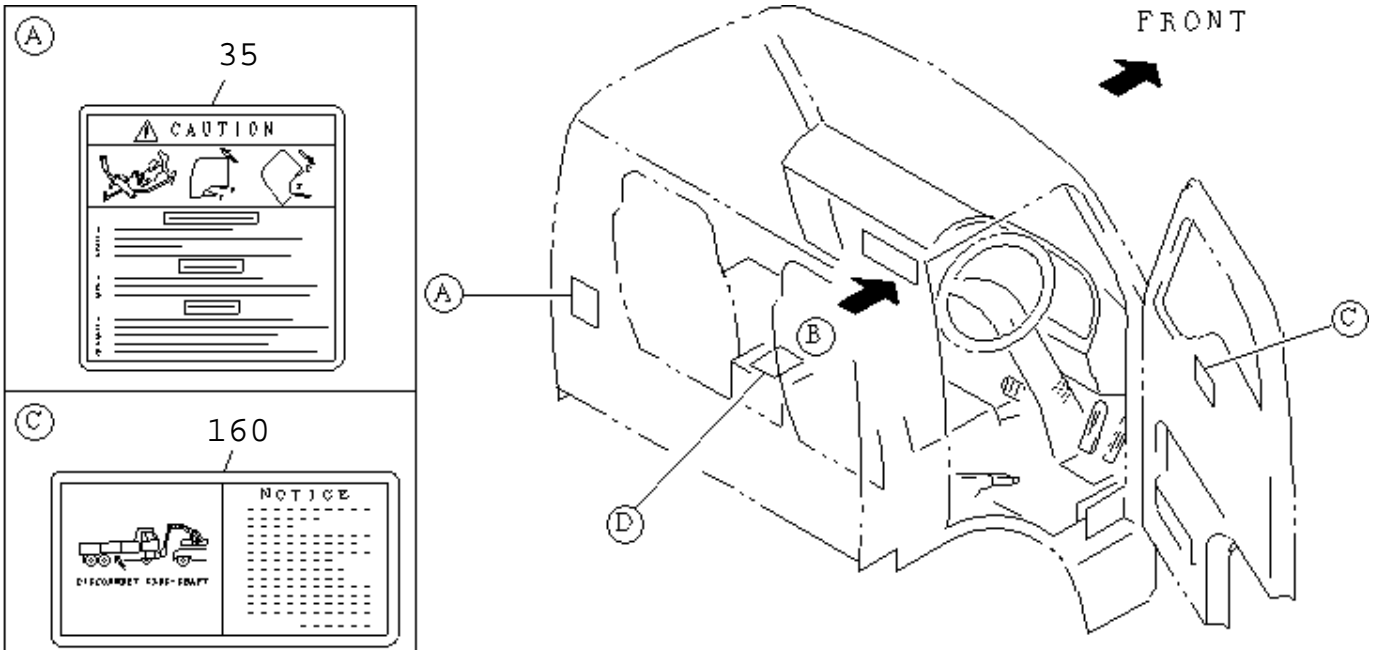


7-01

EMBLEM AND NAME PLATE

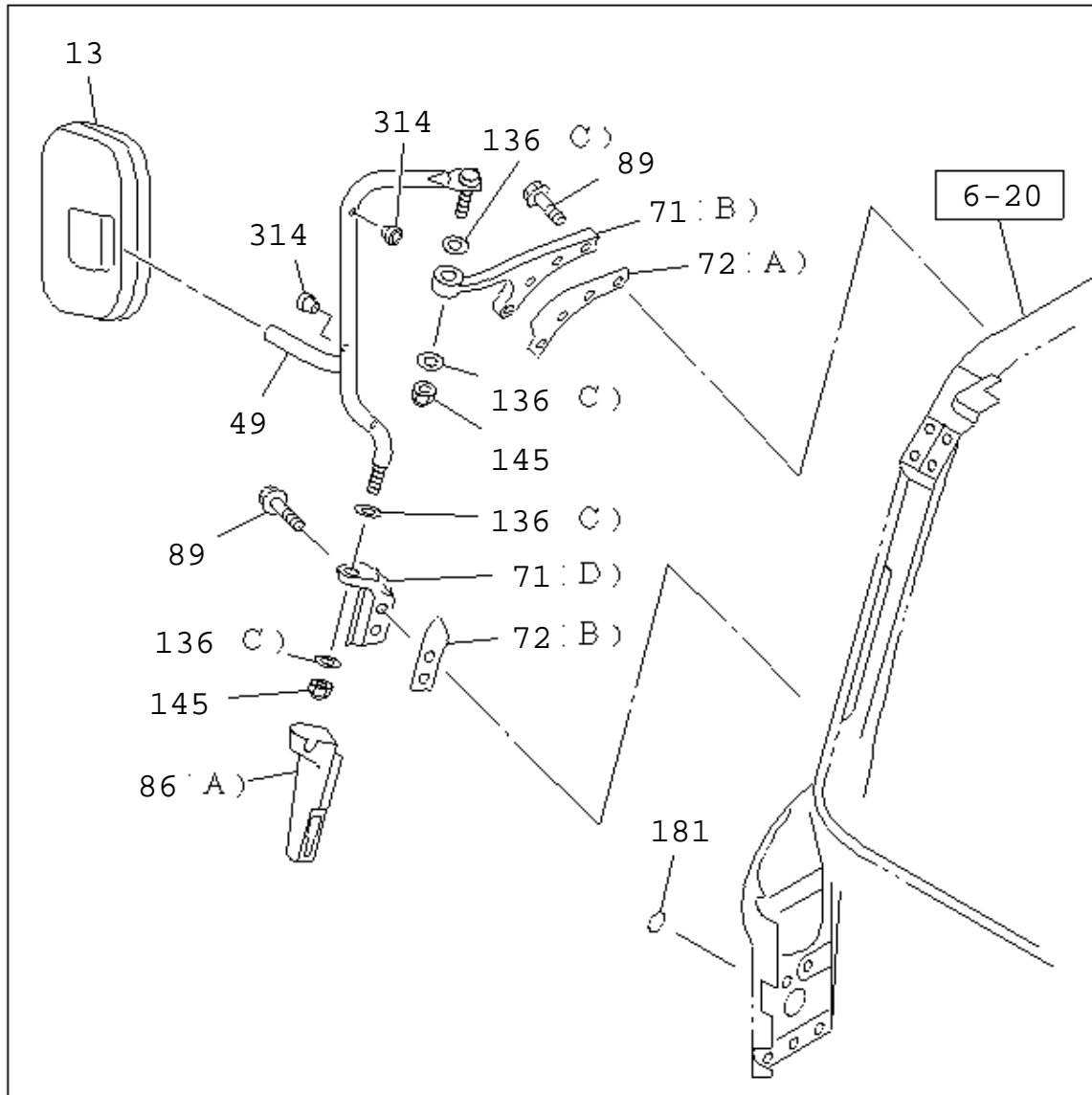
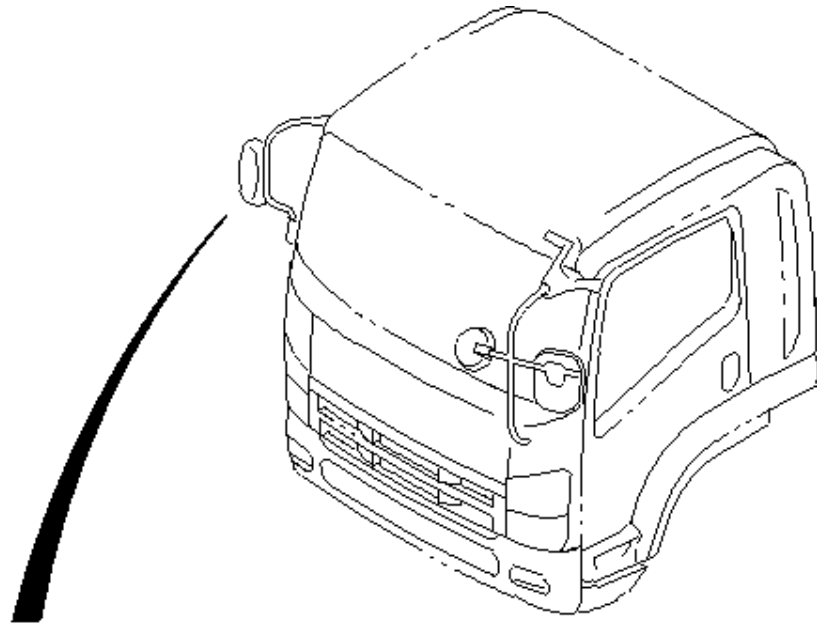
KEY	R / C	PART NAME PART NUMBER	I T C	APPLIED DATE	Qty	APPLIED MODEL	RESTRICTION/REMARKS
							A FVZ WIDE CAB(FGZ5MV) B GVZ WIDE CAB(GGZ5MV)
1		MARK; ISUZU 8-98041-913-0		1312-1403	01	A	
		8-98041-913-0		1404-	01	AB	
9		DECAL 8-98137-316-0		1404-	01	B	HEAVY DUTY PACKAGE TRUCK VAR3<Y48> DECAL VEHICLE NAME/PET NAME<8NG> (C)
		8-98041-579-0		1312-1403	01	A	DECAL PET NAME<8NH> (A)
		8-98041-579-0		1404-	01	AB	DECAL PET NAME<8NH> (A)
		8-98137-315-0		1312-	01	A	HEAVY DUTY PACKAGE TRUCK VAR3<Y48> DECAL VEHICLE NAME/PET NAME<8NG> (B)

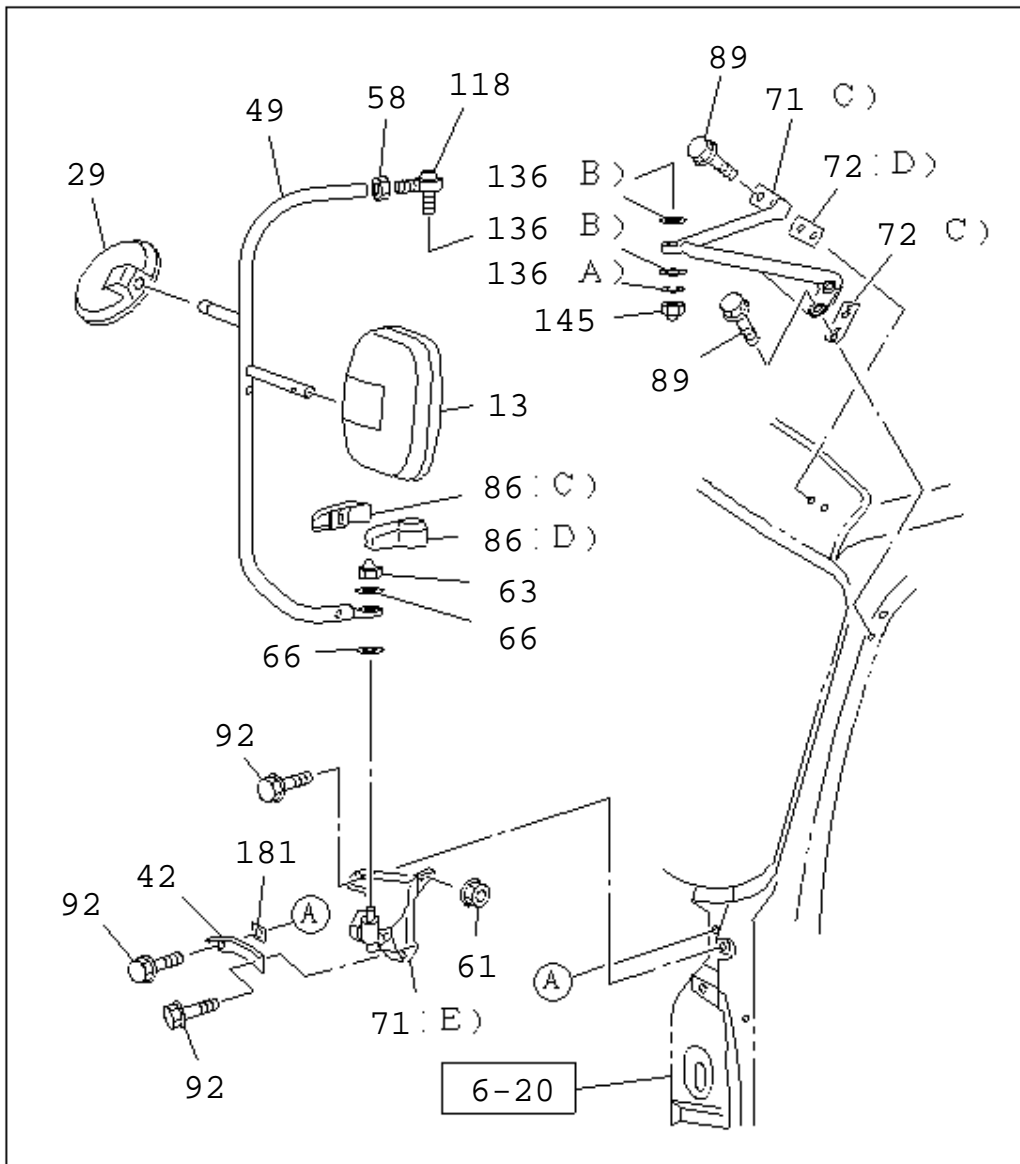
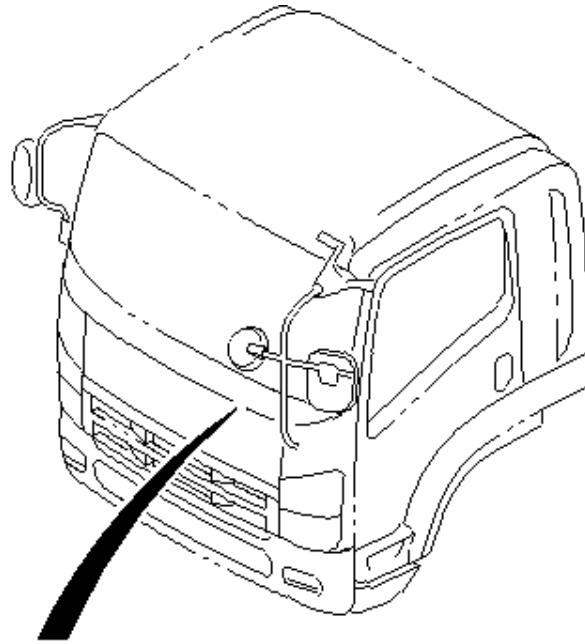


7-10

CAUTION PLATE AND LABEL

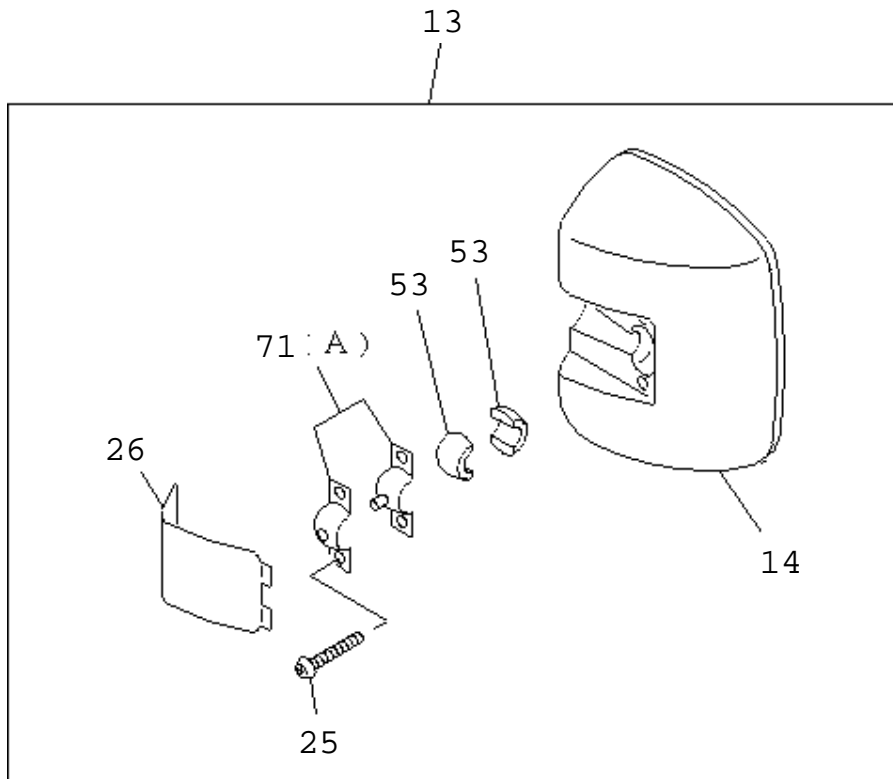
KEY	R / C	PART NAME PART NUMBER	I T C	APPLIED DATE	Qty	APPLIED MODEL	RESTRICTION/REMARKS
							A FVZ WIDE CAB(FGZ5MV) B GVZ WIDE CAB(GGZ5MV)
6		PLATE; CAUTION, SPARE TIRE 8-98082-437-0		1312-1403	01	A	SPARE WHEEL CARRIER FRAME REAR(P10) IDN
		8-98082-437-0		1404-	01	A	SPARE WHEEL CARRIER FRAME REAR(P10) IDN
		8-98082-437-0		1404-	01	B	SPARE TIRE CARRIER LIFTING TYPE VAR1(SY8) IDN
35		PLATE; CAUTION, CAB 8-98065-363-0		1312-1403	01	A	IDN
		8-98065-363-0		1404-	01	AB	IDN
49		PLATE; CAUTION, FUSE BOX 8-98122-353-0		1312-1403	01	A	IDN
		8-98122-353-0		1404-	01	AB	IDN
160		PLATE; CAUTION, TOWING 1-85888-737-1		1312-1403	01	A	IDN
		1-85888-737-1		1404-	01	AB	IDN
309		LABEL; M/T SHIFT 1-85881-598-0		1312-1401	01	A	FULLER ES11109 DD M/T(Y5N) (A)
		1-85881-598-0		1402-1403	01	A	FULLER ES11109 DD M/T(Y5N) EXC. POWER TAKE OFF-FLYWHEEL(6SZ) (A)
		1-85881-598-0		1404-	01	A	FULLER ES11109 DD M/T(Y5N) EXC. POWER TAKE OFF-FLYWHEEL(6SZ) (A)
		1-85881-598-0		1404-	01	B	(A)
		8-98098-606-0		1312-1401	01	A	FULLER ES11109 DD M/T(Y5N) (B)
		8-98098-606-0		1312-1401	01	A	FULLER ES11109 DD M/T(Y5N) (B)
		8-98098-606-0		1402-1403	01	A	FULLER ES11109 DD M/T(Y5N) (B)
		8-98098-606-0		1402-1403	01	A	FULLER ES11109 DD M/T(Y5N) EXC. POWER TAKE OFF-FLYWHEEL(6SZ) (B)
		8-98098-606-0		1404-1404	01	A	FULLER ES11109 DD M/T(Y5N) (B)
		8-98098-606-0		1404-1404	01	A	FULLER ES11109 DD M/T(Y5N) EXC. POWER TAKE OFF-FLYWHEEL(6SZ) (B)
		8-98098-606-0		1404-1404	01	B	(B)
		8-98098-606-0		1404-1404	01	B	(B)
5-01		Move to 5-01					
5-30		Move to 5-30					
7-40		Move to 7-40					



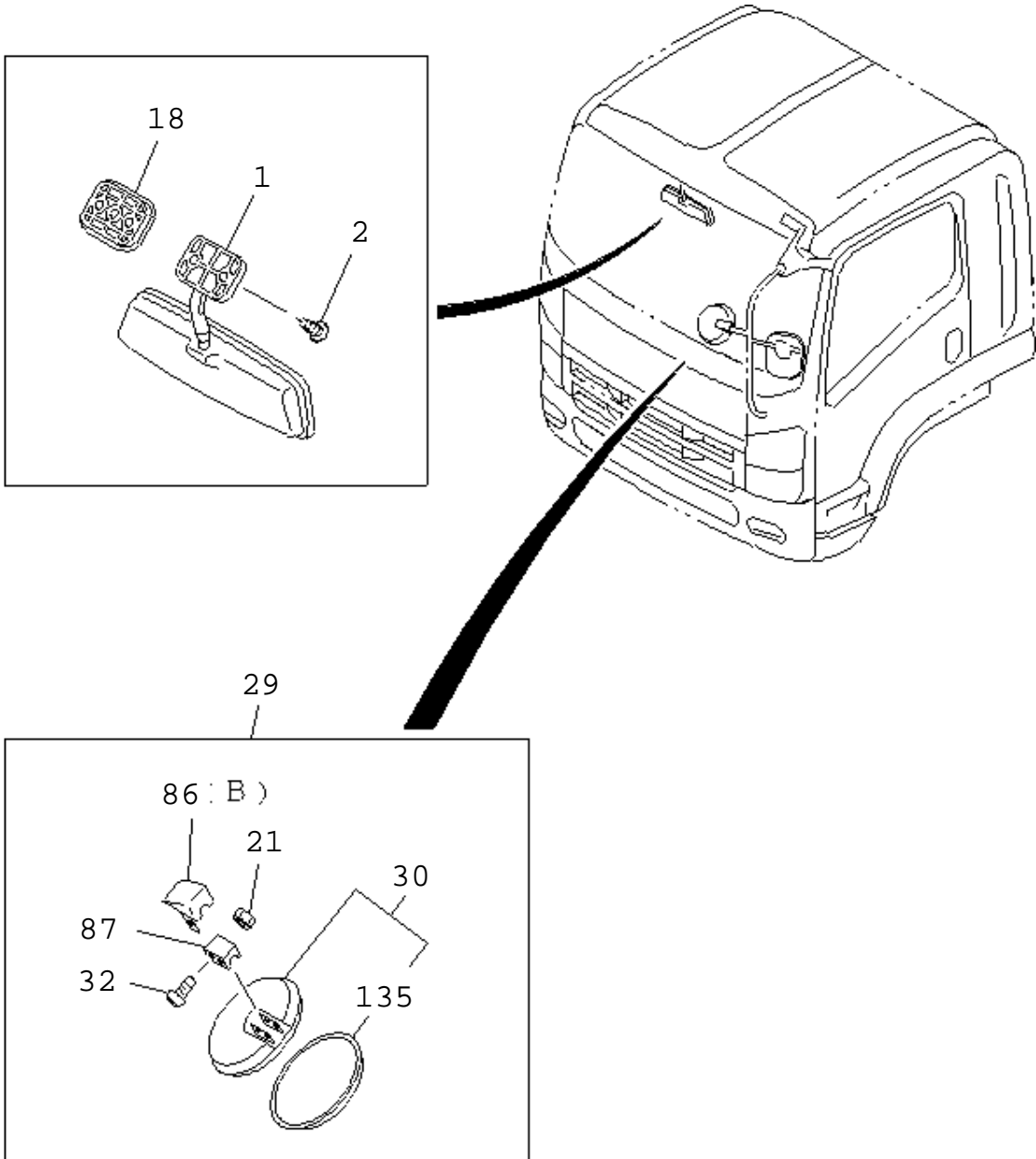


7-20 MIRROR AND MIRROR STAY

COMPONENT;O/S RR VIEW MIRROR



7-20 MIRROR AND MIRROR STAY
UNDER AND ROOM MIRROR



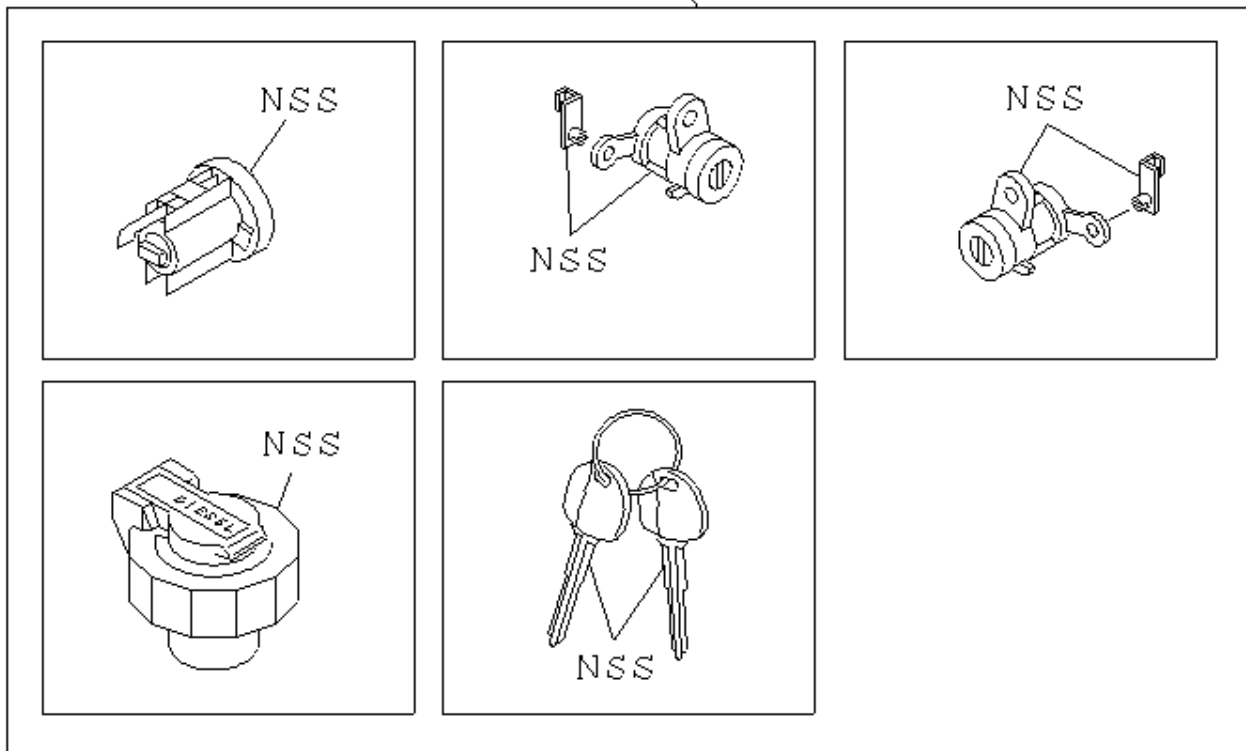
MIRROR AND MIRROR STAY

KEY	R / C	PART NAME PART NUMBER	I T C	APPLIED DATE	L / R	Qty	APPLIED MODEL	RESTRICTION/REMARKS		
								A	B	
1		MIRROR; ROOM 8-97924-058-2		1312-1403		01	A			
		8-97924-058-2		1404-		01	AB			IDN
2		SCREW; MIRROR TO BODY 8-98033-674-0		1312-1403		02	A			IDN
		8-98033-674-0		1404-		02	AB			M6X26
13	B	MIRROR ASM; OUTSIDE RR VIEW 8-98028-332-0		1312-1403	L	01	A			M6X26
		8-98028-332-0		1404-	L	01	AB			
		8-98104-068-0		1312-1403	R	01	A			
		8-98104-068-0		1404-	R	01	AB			
14	B	MIRROR ASM; OUTSIDE 8-98045-690-0		1312-1403	L	01	A			
		8-98045-690-0		1404-	L	01	AB			
		8-98108-511-0		1312-1403	R	01	A			
		8-98108-511-0		1404-	R	01	AB			
18		CLIP; MIRROR 8-97408-241-0		1312-1403		01	A			DARK GRAY
		8-97408-241-0		1404-		01	AB			DARK GRAY
21		NUT; MIRROR 1-09984-124-0		1312-1403	L	02	A			M5
		1-09984-124-0		1404-	L	02	AB			M5
25		SCREW; OUTSIDE MIRROR 1-71707-223-0		1312-1403		04	A			M6X40
		1-71707-223-0		1404-		04	AB			M6X40
26		COVER; OUTSIDE MIRROR 1-71707-222-0		1312-1403	L	01	A			
		1-71707-222-0		1404-	L	01	AB			
		1-71707-221-0		1312-1403	R	01	A			
		1-71707-221-0		1404-	R	01	AB			
29		MIRROR ASM; UNDER 1-71798-422-0		1312-1403	L	01	A			
		1-71798-422-0		1404-	L	01	AB			
30	B	MIRROR; UNDER 1-71798-591-1		1312-1403	L	01	A			
		1-71798-591-1		1404-	L	01	AB			
32		SCREW; UNDER MIRROR 1-71737-797-0		1312-1403	L	02	A			M5X40 W/PL WASHER
		1-71737-797-0		1404-	L	02	AB			M5X40 W/PL WASHER
42		ATTACHMENT; OUTSIDE MIRROR 8-98070-643-0		1312-1403	L	01	A			
		8-98070-643-0		1404-	L	01	AB			
49		STAY; MIRROR SIDE 8-98085-112-1		1312-1403	L	01	A			
		8-98085-112-1		1404-	L	01	AB			
		8-98091-477-0		1312-1403	R	01	A			
		8-98091-477-0		1404-	R	01	AB			
53		PIVOT; SIDE MIRROR 1-71736-489-2		1312-1403		04	A			ID=22.2
		1-71736-489-2		1404-		04	AB			ID=22.2
58		NUT; MIRROR STAY 8-98061-883-0		1312-1403	L	01	A			
		8-98061-883-0		1404-	L	01	AB			
61		NUT; STAY, OUTSIDE MIRROR 0-91180-108-0		1312-1403	L	01	A			M8 FLANGE
		0-91180-108-0		1404-	L	01	AB			M8 FLANGE
63		NUT; STAY								

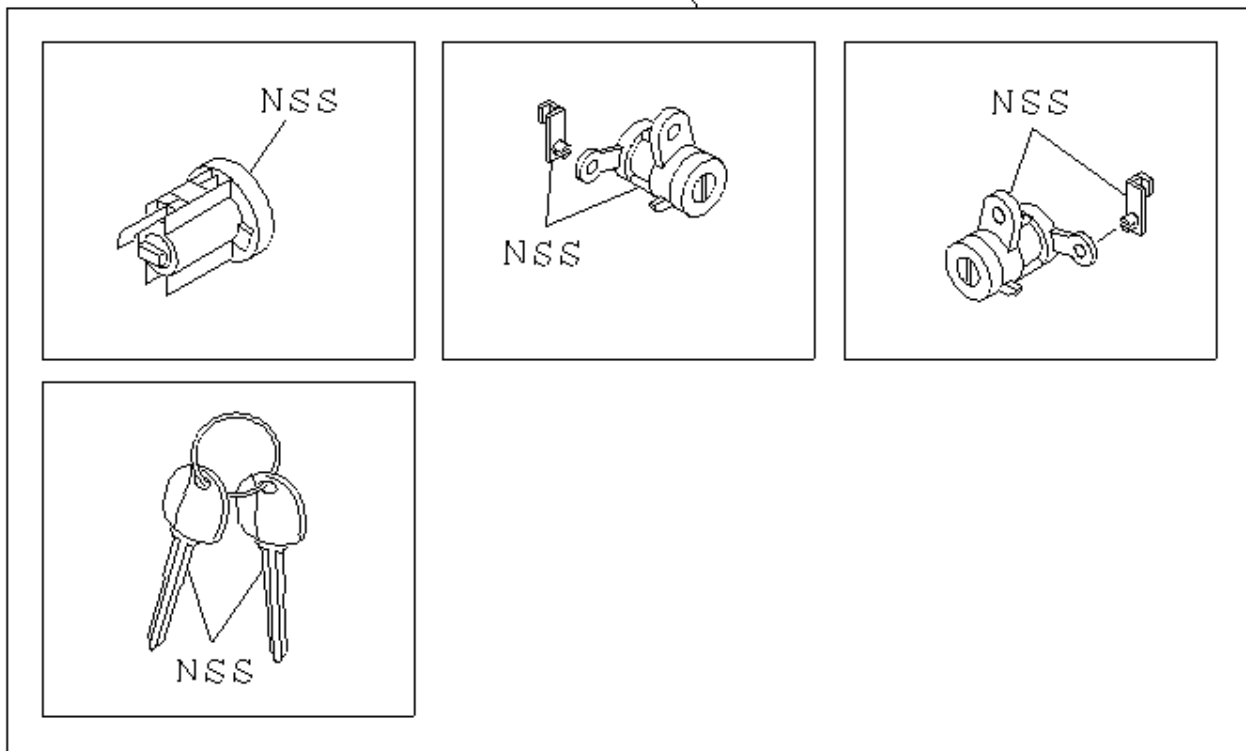
KEY	R / C	PART NAME PART NUMBER	I T C	APPLIED DATE	L / R	Qty	APPLIED MODEL	RESTRICTION/REMARKS	
								A FVZ WIDE CAB (FGZ5MV)	B GVZ WIDE CAB (GGZ5MV)
63		8-98174-339-0		1312-1403	L	01	A		
		8-98174-339-0		1404-	L	01	AB		M14 TOUGH LOCK NUT W/FLANGE
66		WASHER; PL 0-91610-614-0		1312-1403	L	01	A		M14 TOUGH LOCK NUT W/FLANGE
		0-91610-614-0		1404-	L	01	AB		LOWER
		8-98201-756-0		1312-1403	L	01	A		LOWER
		8-98201-756-0		1404-	L	01	AB		UPPER
71		BRACKET; OUTSIDE MIRROR 1-71707-224-0		1312-1403		04	A		UPPER
		1-71707-224-0		1404-		04	AB		(A)
		8-98040-022-1		1312-1403	L	01	A		(A)
		8-98040-022-1		1404-	L	01	AB		(C)
		8-98201-957-0		1312-1403	L	01	A		(C)
		8-98201-957-0		1404-	L	01	AB		(E)
		8-98040-021-0		1312-1403	R	01	A		(E)
		8-98040-021-0		1404-	R	01	AB		(B)
		8-98040-543-1		1312-1403	R	01	A		(B)
		8-98040-543-1		1404-	R	01	AB		(D)
72		SHEET 8-98040-535-0		1312-1403	L	01	A		(D)
		8-98040-535-0		1404-	L	01	AB		(C)
		8-98040-537-1		1312-1403	L	01	A		(C)
		8-98040-537-1		1404-	L	01	AB		(D)
		8-98040-351-0		1312-1403	R	01	A		(D)
		8-98040-351-0		1404-	R	01	AB		(A)
		8-98040-353-1		1312-1403	R	01	A		(A)
		8-98040-353-1		1404-	R	01	AB		(B)
86		COVER; STAY, OUTSIDE MIRROR 1-71737-649-1		1312-1403	L	01	A		(B)
		1-71737-649-1		1404-	L	01	AB		BLACK
		8-98040-545-1		1312-1403	L	01	A		(B)
		8-98040-545-1		1404-	L	01	AB		BLACK
		8-98040-546-1		1312-1403	L	01	A		(C)
		8-98040-546-1		1404-	L	01	AB		(C)
		8-98040-541-1		1312-1403	R	01	A		(D)
		8-98040-541-1		1404-	R	01	AB		(D)
87		SPACER 1-71737-646-2		1312-1403	L	01	A		(A)
		1-71737-646-2		1404-	L	01	AB		(A)
89		SCREW; BRKT, OUTSIDE MIRROR							

KEY	R / C	PART NAME PART NUMBER	I T C	APPLIED DATE	L / R	Qty	APPLIED MODEL	RESTRICTION/REMARKS	
								A FVZ WIDE CAB (FGZ5MV)	B GVZ WIDE CAB (GGZ5MV)
89		8-98067-249-2		1312-1403		10	A		
		8-98067-249-2		1404-		10	AB	M8X26 W/PL WASHER	
92		BOLT; STAY BRKT, MIRROR 8-98076-109-0		1312-1403	L	04	A	M8X26 W/PL WASHER	
		8-98076-109-0		1404-	L	04	AB	M8X16 FLANGE	
118		JOINT ASM; BALL 1-71798-356-2		1312-1403	L	01	A	M8X16 FLANGE	
		1-71798-356-2		1404-	L	01	AB	M8X16 FLANGE	
135		LENS; MIRROR, SIDE UNDER 1-71798-838-0		1312-1403	L	01	A		
		1-71798-838-0		1404-	L	01	AB		
136		WASHER; LK, BRKT, MIRROR STAY 1-09985-180-0		1312-1403	L	01	A	(A)	ID=10
		1-09985-180-0		1404-	L	01	AB	(A)	ID=10
		1-09985-184-0		1312-1403	L	02	A	(B)	ID=10.5 OD=26 T=2.6
		1-09985-184-0		1404-	L	02	AB	(B)	ID=10.5 OD=26 T=2.6
		1-09985-204-0		1312-1403	R	04	A	(C)	ID=10.5 OD=26 T=2.6
		1-09985-204-0		1404-	R	04	AB	(C)	ID=10.5 OD=26 T=2.6
145		NUT; CAP, SUB STAY 1-09984-134-0		1312-1403		03	A	M10 CAP NUT	
		1-09984-134-0		1404-		03	AB	M10 CAP NUT	
181		SEAL; BRKT 8-94272-533-0		1312-1403	L	01	A	25X25	
		8-94272-533-0		1404-	L	01	AB	25X25	
		1-76798-019-0		1312-1403	R	01	A	OD=25 BLACK	
		1-76798-019-0		1404-	R	01	AB	OD=25 BLACK	
314		BUFFER; STOPPER 8-94314-317-0		1312-1403	R	02	A		
		8-94314-317-0		1404-	R	02	AB		
6-20		Move to 6-20							

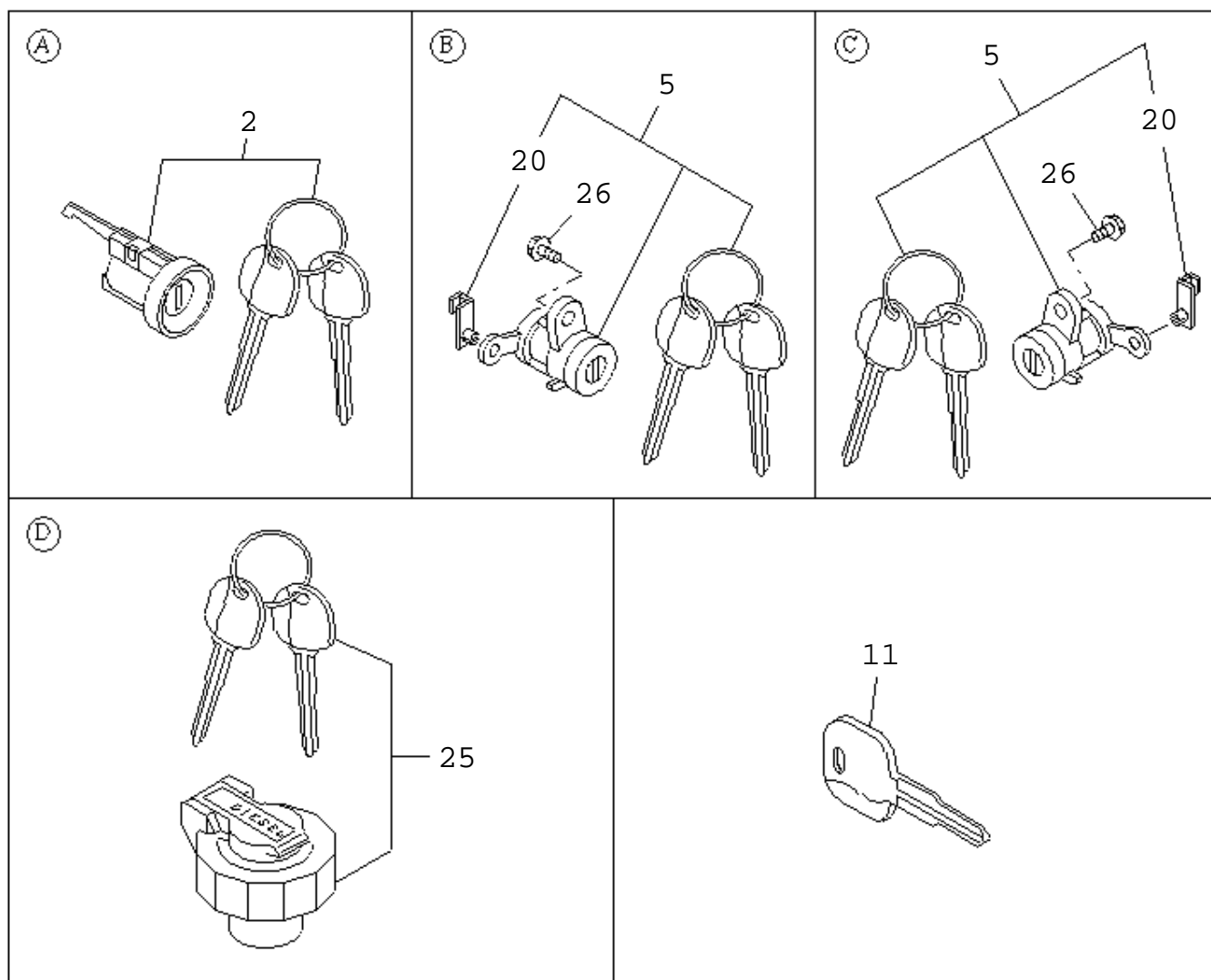
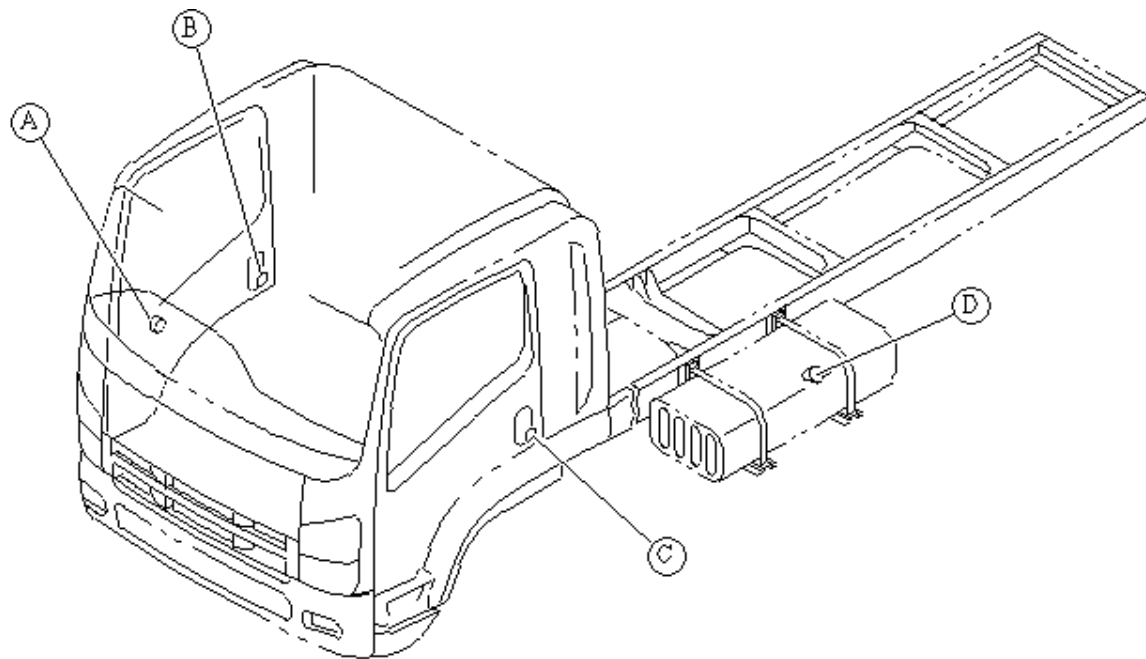
1(A)



1(B)



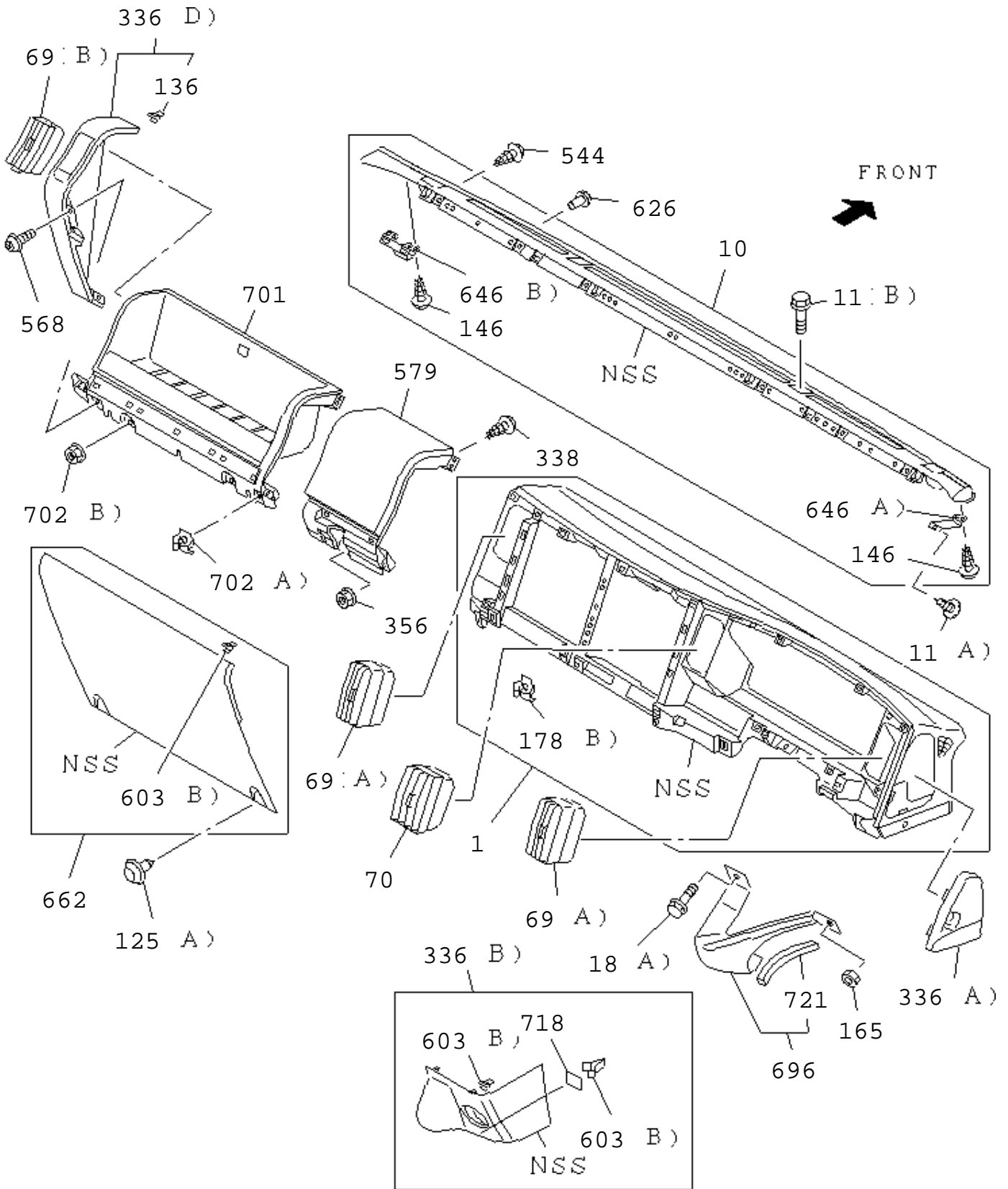
LOCK CYLINDER SET



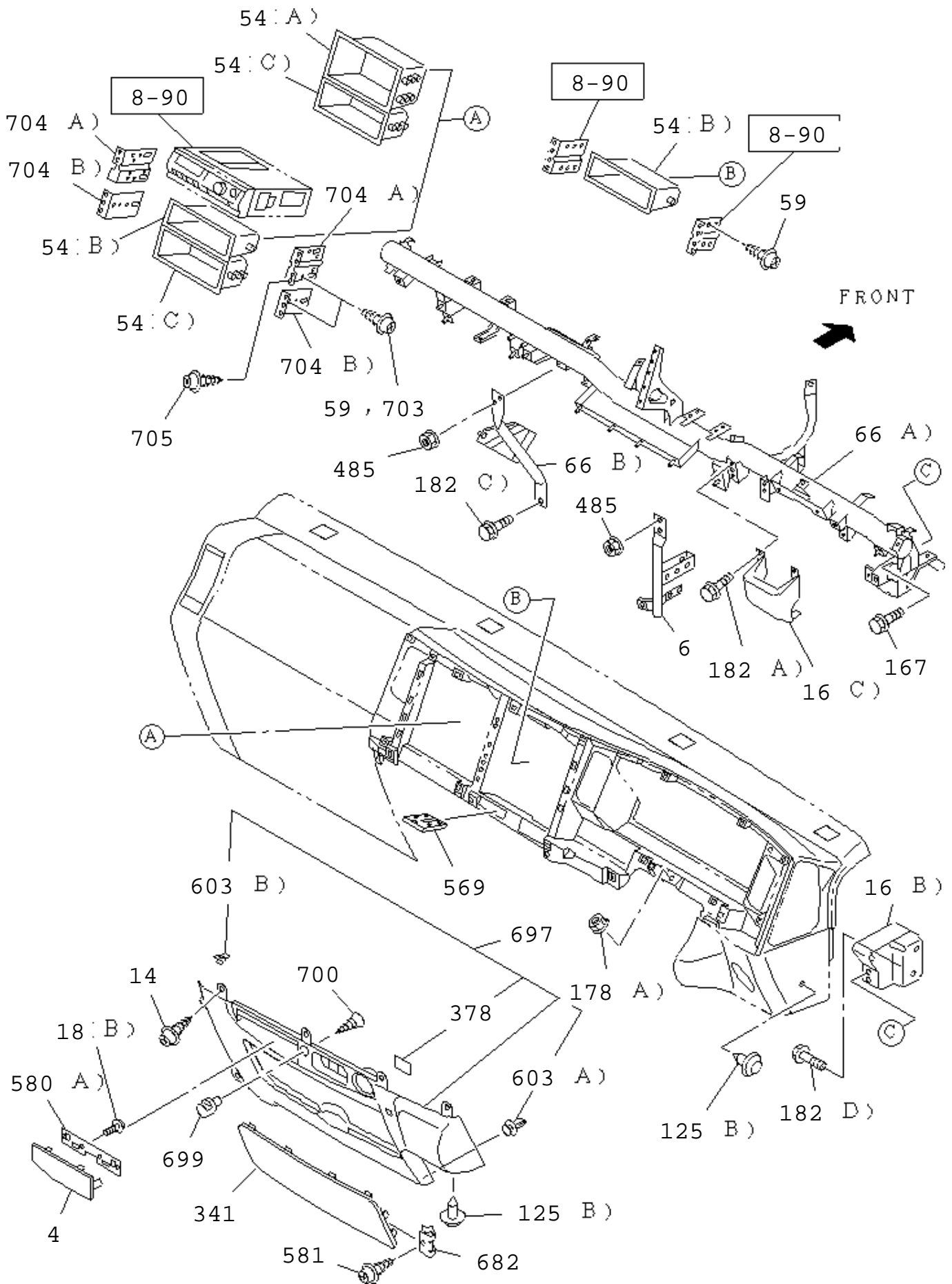
LOCK CYLINDER SET

KEY	R / C	PART NAME PART NUMBER	I T C	APPLIED DATE	L / R	Qty	APPLIED MODEL	RESTRICTION/REMARKS
								A FVZ WIDE CAB(FGZ5MV) B GVZ WIDE CAB(GGZ5MV)
1		CYLINDER SET; CAR LOCK 8-97948-145-0		1312-1403		01	A	FUEL TANK CAP KEY LOCK<N05> (A) IDN
		8-97948-145-0		1404-		01	AB	FUEL TANK CAP KEY LOCK<N05> (A) IDN
		8-98201-161-0		1312-1403		01	A	EXC. FUEL TANK CAP KEY LOCK<N05> (B)
		8-98201-161-0		1404-		01	AB	EXC. FUEL TANK CAP KEY LOCK<N05> (B)
2		BARREL ASM; W/KEY,STRG LOCK 8-98201-342-0		1312-1403		01	A	
		8-98201-342-0		1404-		01	AB	
5		CYLINDER ASM; DOOR LOCK 8-98055-149-0		1312-1403	R	01	A	
		8-98055-149-0		1404-		01	AB	
		8-98055-150-0		1312-1403	L	01	A	
		8-98055-150-0		1404-		01	AB	
11		KEY; BLANK 8-98055-170-0		1312-1403		AR	A	
		8-98055-170-0		1404-		AR	AB	
20		SNAP; DOOR LOCK CYL 8-98055-181-0		1312-1403	L	01	A	
		8-98055-181-0		1404-		01	AB	
		8-98055-182-0		1312-1403	R	01	A	
		8-98055-182-0		1404-		01	AB	
25	B	CAP; FUEL TANK,W/KEY 8-98146-010-0		1312-1403		01	A	FUEL TANK CAP KEY LOCK<N05>
		8-98146-010-0		1404-		01	AB	FUEL TANK CAP KEY LOCK<N05>
26		BOLT; KEY CYL,DOOR 8-98031-839-0		1312-1403		02	A	M6X8 FLANGE IDN
		8-98031-839-0		1404-		02	AB	M6X8 FLANGE IDN

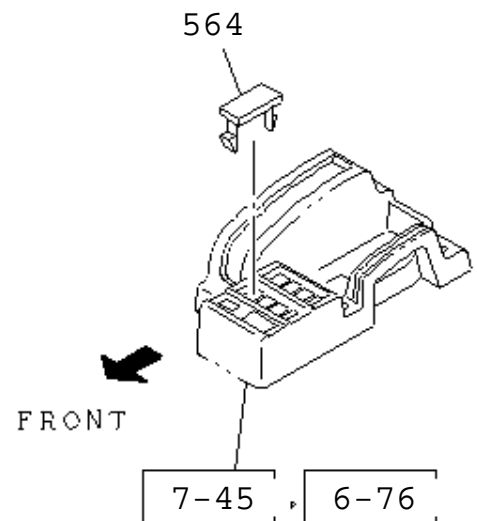
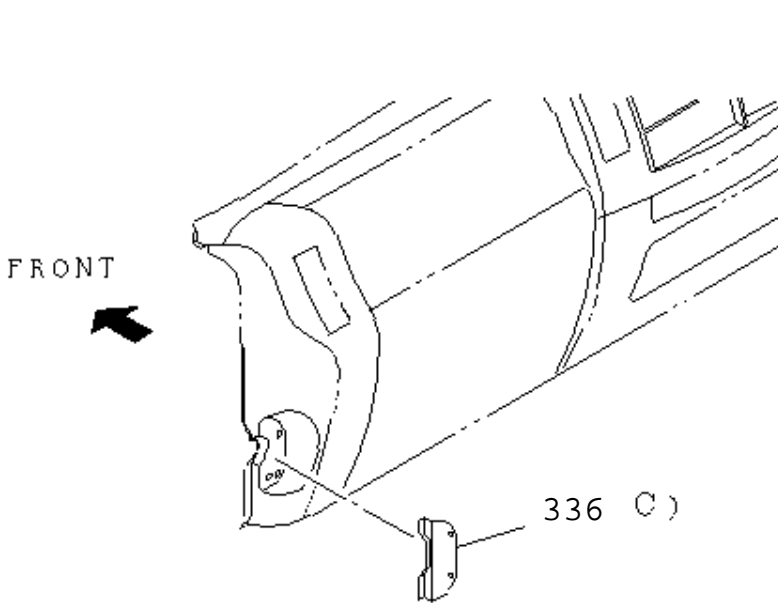
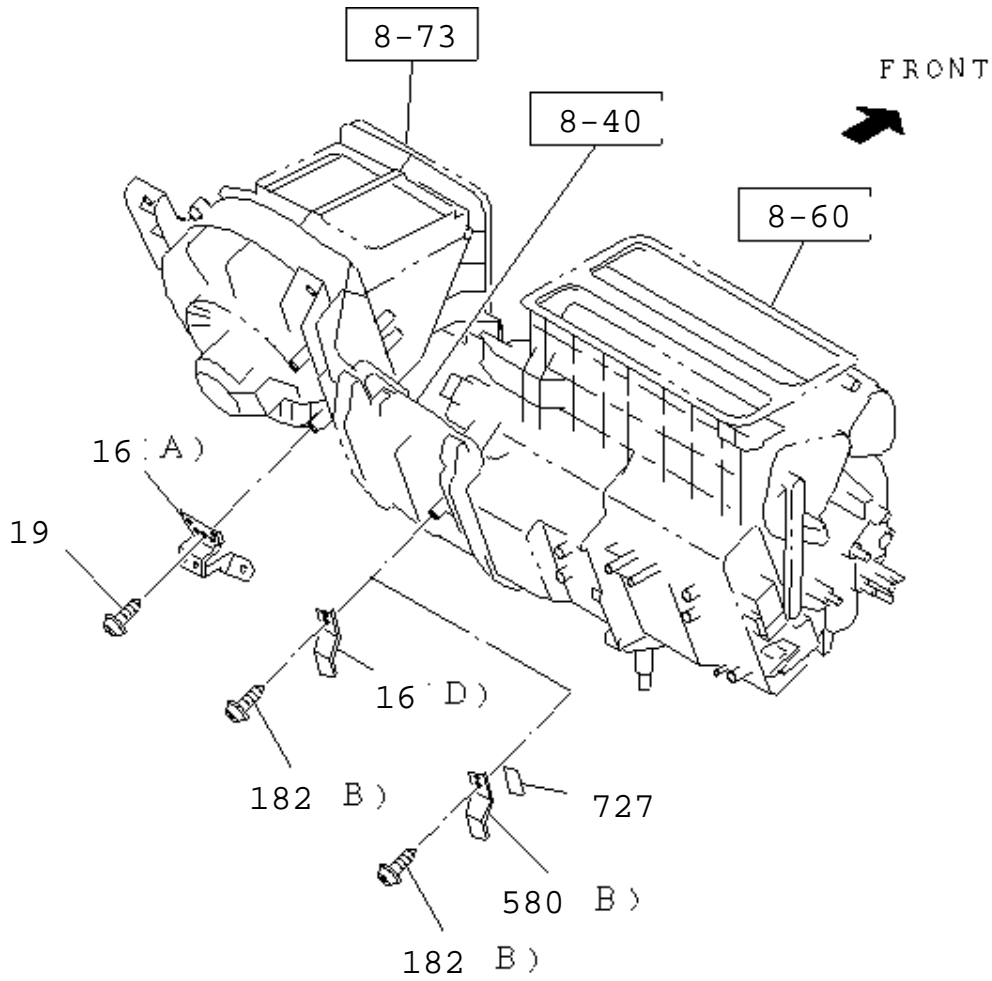
7-40 INSTRUMENT PANEL AND BOX
INST PANEL AND OTHER PARTS



**7-40 INSTRUMENT PANEL AND BOX
REINFORCEMENT AND OTHER PARTS**



**7-40 INSTRUMENT PANEL AND BOX
BRACKET AND COVER**



7-40

INSTRUMENT PANEL AND BOX

KEY	R / C	PART NAME PART NUMBER	I T C	APPLIED DATE	L / R	Qty	APPLIED MODEL	RESTRICTION/REMARKS	
								A	B
1		PANEL; INST 8-97423-015-0		1312-1403		01	A	A	FVZ WIDE CAB(FGZ5MV)
		8-97423-015-0		1404-		01	AB		B GVZ WIDE CAB(GGZ5MV)
									GRAY
4		COVER; INST PNL 8-97407-898-1		1312-1403		01	A		GRAY
		8-97407-898-1		1404-		01	AB		IDN
									GRAY
6		SUPPORT; INST PANEL 8-98196-255-0		1312-1403		01	A		
		8-98196-255-0		1404-		01	AB		
10		PANEL ASM; GARNISH 8-97422-097-0		1312-1403		01	A		GRAY
		8-97422-097-0		1404-		01	AB		GRAY
11		BOLT; INST PNL 0-72180-516-0		1312-1403		08	A		(A)
		0-72180-516-0		1404-		08	AB		M5X16 TAPPING
									(A)
		8-98018-440-0		1312-1403		04	A		M5X16 TAPPING
		8-98018-440-0		1404-		04	AB		(B)
									M6X25 W/LK&PL WASHER
14		SCREW; INST PNL 0-72180-516-0		1312-1403		04	A		(B)
		0-72180-516-0		1404-		04	AB		M6X25 W/LK&PL WASHER
									(B)
16		BRACKET; INST PNL 8-98053-711-0		1312-1403		01	A		M5X16 TAPPING
		8-98053-711-0		1404-		01	AB		(C)
									IDN
		8-98017-204-1		1312-1403	L	01	A		(C)
		8-98017-204-1		1404-	L	01	AB		IDN
		8-98017-202-1		1312-1403	R	01	A		(B)
		8-98017-202-1		1404-	R	01	AB		(B)
		8-97585-612-2		1312-1403		01	A		(B)
		8-97585-612-2		1404-		01	AB		VENTILATOR & DEFROSTER WO/HEATER<SAZ>
		8-98180-277-1		1312-1401		01	A		(A)
		8-98180-277-1		1402-		01	A		VENTILATOR & DEFROSTER WO/HEATER<SAZ>
									(D)
18		BOLT; BRKT 0-52000-612-0		1312-1403		01	A		VENTILATOR & DEFROSTER WO/HEATER<SAZ>
		0-52000-612-0		1404-		01	AB		EXC. VIN MODEL YEAR 2014<VZE>
									(D)
		8-98058-632-0		1312-1403		03	A		(A)
									M6X12 W/LK&PL WASHER
									(A)
									M6X12 W/LK&PL WASHER
									(B)
									M5X10 TAPPING W/TORQUES

7-40

INSTRUMENT PANEL AND BOX

KEY	R / C	PART NAME PART NUMBER	I T C	APPLIED DATE	L / R	Qt-y	APPLIED MODEL	RESTRICTION/REMARKS
								A FVZ WIDE CAB(FGZ5MV) B GVZ WIDE CAB(GGZ5MV)
18		8-98058-632-0		1404-		03	AB	(B) M5X10 TAPPING W/TORQUES
19		SCREW; BRKT 0-72180-516-0		1312-1403		01	A	VENTILATOR & DEFROSTER WO/HEATER<SAZ> M5X16 TAPPING
		0-72180-516-0		1404-		01	AB	VENTILATOR & DEFROSTER WO/HEATER<SAZ> M5X16 TAPPING
54		POCKET; CENTER CLUSTER 8-97926-874-0		1402-1403		01	A	VIN MODEL YEAR 2014<VZE> (A) IDN
		8-97926-874-0		1404-		01	AB	VIN MODEL YEAR 2014<VZE> (A) IDN
		8-97407-129-2		1312-1401		01	A	(A) H=108.4 BLACK IDN
		8-97407-129-2		1402-1403		01	A	EXC. VIN MODEL YEAR 2014<VZE> (A) H=108.4 BLACK IDN
		8-97407-129-2		1404-		01	AB	EXC. VIN MODEL YEAR 2014<VZE> (A) H=108.4 BLACK IDN
		8-97408-864-2		1312-1403		01	A	(B) H=58.4 BLACK IDN
		8-97408-864-2		1404-		01	AB	(B) H=58.4 BLACK IDN
		8-97408-865-2		1312-1403		01	A	(C) H=69.8 BLACK IDN
		8-97408-865-2		1404-		01	AB	(C) H=69.8 BLACK IDN
59		SCREW; CLUSTER POCKET 8-98058-632-0		1312-1403		04	A	M5X10 TAPPING W/TORQUES
		8-98058-632-0		1404-		04	AB	M5X10 TAPPING W/TORQUES
66		REINFORCEMENT; INST PANEL 8-98151-167-0		1312-1403		01	A	(B)
		8-98151-167-0		1404-		01	AB	(B)
		8-98174-904-1		1312-1403		01	A	(A)
		8-98174-904-1	A	1404-1406		01	AB	(A)
		8-98240-609-0		1407-		01	AB	(A)
69		GRILLE; SIDE,AIR OUTLET 8-98028-561-2		1312-1403		02	A	VENTILATOR & DEFROSTER WO/HEATER<SAZ> (A) IDN
		8-98028-561-2		1404-		02	AB	VENTILATOR & DEFROSTER WO/HEATER<SAZ> (A) IDN
		8-98028-562-2		1312-1403		01	A	VENTILATOR & DEFROSTER WO/HEATER<SAZ> (B) IDN
		8-98028-562-2		1404-		01	AB	VENTILATOR & DEFROSTER WO/HEATER<SAZ> (B) IDN
70		GRILLE; CENTER,AIR OUTLET						

7-40

INSTRUMENT PANEL AND BOX

KEY	R / C	PART NAME PART NUMBER	I T C	APPLIED DATE	L / R	Qty	APPLIED MODEL	RESTRICTION/REMARKS
								A FVZ WIDE CAB(FGZ5MV) B GVZ WIDE CAB(GGZ5MV)
70		8-98028-563-2		1312-1403		01	A	VENTILATOR & DEFROSTER WO/HEATER<SAZ> IDN
		8-98028-563-2		1404-		01	AB	VENTILATOR & DEFROSTER WO/HEATER<SAZ> IDN
125		CLIP; INST PANEL 8-97419-968-1		1404-		02	B	VENTILATOR & DEFROSTER WO/HEATER<SAZ> EXC. VIN MODEL YEAR 2014<VZE> (A) GRAY IDN
		8-97408-817-0		1312-1403		04	A	(B) GRAY
		8-97408-817-0		1404-		04	AB	(B) GRAY
136		CLIP; INST COVER 8-98076-254-0		1312-1403		02	A	
		8-98076-254-0		1404-		02	AB	
146		SCREW; TAP 0-72180-516-0		1312-1403		03	A	M5X16 TAPPING
		0-72180-516-0		1404-		03	AB	M5X16 TAPPING
165		NUT; BRKT KNEE PAD 0-91180-106-0		1312-1403		01	A	M6 FLANGE
		0-91180-106-0		1404-		01	AB	M6 FLANGE
167		BOLT; REINF TO INST 8-97264-766-0		1312-1403		04	A	M8X23 FLANGE
		8-97264-766-0		1404-		04	AB	M8X23 FLANGE
178		NUT; INST PANEL 0-91180-106-0		1312-1403		01	A	(A) M6 FLANGE
		0-91180-106-0		1404-		01	AB	(A) M6 FLANGE
		8-98037-629-0		1312-1403		15	A	(B) IDN
		8-98037-629-0		1404-		15	AB	(B) IDN
182		BOLT; BRKT, INST PANEL 0-28050-816-0		1312-1403		04	A	(D) M8X16 FLANGE
		0-28050-816-0		1404-		04	AB	(D) M8X16 FLANGE
		0-52000-612-0		1312-1403		02	A	(A) M6X12 W/LK&PL WASHER
		0-52000-612-0		1404-		02	AB	(A) M6X12 W/LK&PL WASHER
		8-98018-439-0		1312-1403		01	A	(C) M8X25 W/LK&PL WASHER
		8-98018-439-0		1404-		01	AB	(C) M8X25 W/LK&PL WASHER
		0-72180-516-0		1312-1401		01	A	VENTILATOR & DEFROSTER WO/HEATER<SAZ> (B) M5X16 TAPPING
		0-72180-516-0		1402-1403		01	A	VENTILATOR & DEFROSTER WO/HEATER<SAZ> EXC. VIN MODEL YEAR 2014<VZE> (B) M5X16 TAPPING

7-40

INSTRUMENT PANEL AND BOX

KEY	R / C	PART NAME PART NUMBER	I T C	APPLIED DATE	L / R	Qt-y	APPLIED MODEL	RESTRICTION/REMARKS
								A FVZ WIDE CAB(FGZ5MV) B GVZ WIDE CAB(GGZ5MV)
182		0-72180-516-0		1404-		01	AB	VENTILATOR & DEFROSTER WO/HEATER<SAZ> EXC. VIN MODEL YEAR 2014<VZE> (B) M5X16 TAPPING
336		COVER; INST PANEL SIDE 8-97407-420-1		1312-1403		01	A	(A) GRAY
		8-97407-420-1		1404-		01	AB	(A) GRAY
		8-97407-427-4		1312-1403		01	A	(D) GRAY
		8-97407-427-4		1404-		01	AB	(D) GRAY
		8-97409-491-1		1312-1403		01	A	(C) GRAY
		8-97409-491-1		1404-		01	AB	(C) GRAY
		8-97422-653-0		1312-1403		01	A	(B) GRAY
		8-97422-653-0		1404-		01	AB	(B) GRAY
338		SCREW; COVER 0-72180-516-0		1312-1403		04	A	M5X16 TAPPING
		0-72180-516-0		1404-		04	AB	M5X16 TAPPING
341		LID; FUSE BOX 8-97422-209-0		1404-		01	B	GRAY
		8-97424-725-1		1312-		01	A	
356		NUT; COVER 0-91180-106-0		1312-1403		01	A	M6 FLANGE
		0-91180-106-0		1404-		01	AB	M6 FLANGE
378		SEAL; INST PANEL 8-98176-199-0		1312-1403		01	A	5X30 IDN
		8-98176-199-0		1404-		01	AB	5X30 IDN
485		NUT; SUPPORT CLIP, HARNESS 0-91180-106-0		1312-1403		04	A	M6 FLANGE
		0-91180-106-0		1404-		04	AB	M6 FLANGE
544		SCREW; TRAY 0-72180-516-0		1312-1403		03	A	M5X16 TAPPING
		0-72180-516-0		1404-		03	AB	M5X16 TAPPING
564		COVER; SW 8-97043-732-1		1404-		04	B	
		8-97043-732-1		1312-		06	A	
568		BOLT; COVER 0-72180-516-0		1312-1401		01	A	M5X16 TAPPING
		0-72180-516-0		1402-1403		01	A	VENTILATOR & DEFROSTER WO/HEATER<SAZ> M5X16 TAPPING
		0-72180-516-0		1404-		01	AB	VENTILATOR & DEFROSTER WO/HEATER<SAZ> M5X16 TAPPING
		8-98031-842-0		1312-1403		02	A	VENTILATOR & DEFROSTER WO/HEATER<SAZ> M6X20 W/LK&PL WASHER
		8-98031-842-0		1404-		02	A	VENTILATOR & DEFROSTER WO/HEATER<SAZ> M6X20 W/LK&PL WASHER

7-40

INSTRUMENT PANEL AND BOX

KEY	R / C	PART NAME PART NUMBER	I T C	APPLIED DATE	L / R	Qty	APPLIED MODEL	RESTRICTION/REMARKS
								A FVZ WIDE CAB(FGZ5MV) B GVZ WIDE CAB(GGZ5MV)
568		8-98031-842-0		1404-		02	B	VENTILATOR & DEFROSTER WO/HEATER<SAZ> VIN MODEL YEAR 2014<VZE> M6X20 W/LK&PL WASHER
569		HOLDER; CARD 8-97410-276-0		1312-1403		01	A	IDN
		8-97410-276-0		1404-		01	AB	IDN
579		COVER; INST PNL 8-97409-853-2		1312-1403		01	A	GRAY
		8-97409-853-2		1404-		01	AB	GRAY
580		BRACKET; COVER 8-98017-528-1		1404-		01	B	VENTILATOR & DEFROSTER WO/HEATER<SAZ> EXC. VIN MODEL YEAR 2014<VZE> (B)
		8-98091-546-0		1312-1403		01	A	(A) IDN
		8-98091-546-0		1404-		01	AB	(A) IDN
581		SCREW 8-98219-290-0		1312-		02	A	M2.5X4
603		CLIP; COVER 8-98004-025-0		1312-1403		01	A	(A) IDN
		8-98004-025-0		1404-		01	AB	(A) IDN
		8-98021-271-0		1312-1403		04	A	(B) IDN
		8-98021-271-0		1404-		04	AB	(B) IDN
		8-98021-271-0		1312-1401		05	A	(B) IDN
		8-98021-271-0		1402-1403		05	A	VENTILATOR & DEFROSTER WO/HEATER<SAZ> (B) IDN
		8-98021-271-0		1404-		05	AB	VENTILATOR & DEFROSTER WO/HEATER<SAZ> (B) IDN
626		RETAINER 8-94279-804-0		1312-1403		02	A	OD=15 BLACK
		8-94279-804-0		1404-		02	AB	OD=15 BLACK
646		BRACKET; GARNISH PANEL 8-98051-490-2		1312-1403		01	A	(A)
		8-98051-490-2		1404-		01	AB	(A)
		8-98051-492-2		1312-1403		01	A	(B)
		8-98051-492-2		1404-		01	AB	(B)
662		COVER; LWR, INST PANEL 8-97407-429-3		1312-1401		01	A	GRAY
		8-97407-429-3		1402-1403		01	A	VENTILATOR & DEFROSTER WO/HEATER<SAZ> GRAY
		8-97407-429-3		1404-		01	AB	VENTILATOR & DEFROSTER WO/HEATER<SAZ> GRAY
682		CLIP 8-98218-600-0		1312-		02	A	IDN
696		BRACKET; KNEE 8-98066-085-1		1312-1403		01	A	

7-40

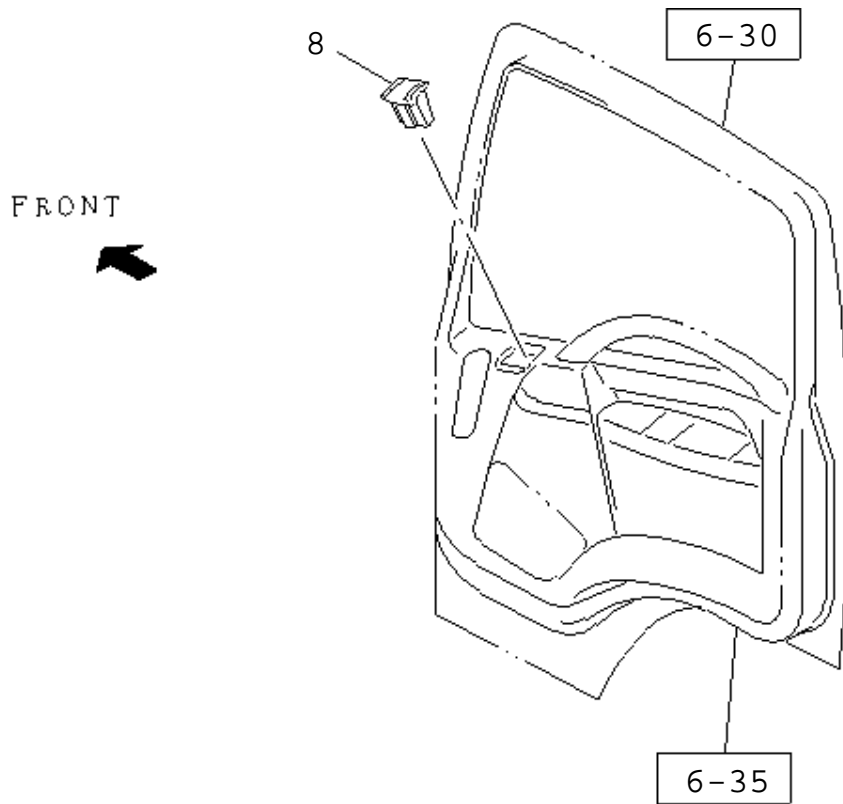
INSTRUMENT PANEL AND BOX

KEY	R / C	PART NAME PART NUMBER	I T C	APPLIED DATE	L / R	Qty	APPLIED MODEL	RESTRICTION/REMARKS	
								A	B
696		8-98066-085-1		1404-		01	AB	A	FVZ WIDE CAB(FGZ5MV)
697		PANEL; INST CENTER 8-97422-207-1		1312-1403		01	A	B	GVZ WIDE CAB(GGZ5MV)
		8-97422-207-1		1404-		01	AB		GRAY
									GRAY
699		HOOK; INST PANEL 8-97408-927-0		1312-1403		01	A		GRAY IDN
		8-97408-927-0		1404-		01	AB		GRAY IDN
700		BOLT; HOOK 0-72180-516-0		1312-1403		01	A		M5X16 TAPPING
		0-72180-516-0		1404-		01	AB		M5X16 TAPPING
701		TRAY; INST 8-97421-976-1		1312-1403		01	A		GRAY
		8-97421-976-1		1404-		01	AB		GRAY
702		NUT; TRAY 0-91180-106-0		1312-1403		02	A		(B) M6 FLANGE
		0-91180-106-0		1404-		02	AB		(B) M6 FLANGE
		8-98037-629-0		1312-1403		01	A		(A) IDN
		8-98037-629-0		1404-		01	AB		(A) IDN
703		SCREW; CENTER POCKET 8-98058-632-0		1312-1403		04	A		M5X10 TAPPING W/TORQUES
		8-98058-632-0		1404-		04	AB		M5X10 TAPPING W/TORQUES
704		BRACKET; CENTER POCKET 8-97585-616-2		1312-1403		02	A		(B) IDN
		8-97585-616-2		1404-		02	AB		(B) IDN
		8-97585-618-2		1312-1403		02	A		(A) IDN
		8-97585-618-2		1404-		02	AB		(A) IDN
705		SCREW; BRACKET CENTER POCKET 0-72180-520-0		1312-1403		08	A		M5X20 HEXALOBULAR SOCKET
		0-72180-520-0		1404-		08	AB		M5X20 HEXALOBULAR SOCKET
718		SEAL; COVER 8-98061-777-0		1312-1403		01	A		7X31 IDN
		8-98061-777-0		1404-		01	AB		7X31 IDN
721		FINISHER; BRKT,KNEE 8-97892-742-0		1312-1403		01	A		L=140 IDN
		8-97892-742-0		1404-		01	AB		L=140 IDN
727		SEAL; BRACKET							

7-40

INSTRUMENT PANEL AND BOX

KEY	R / C	PART NAME PART NUMBER	I T C	APPLIED DATE	L / R	Qt-y	APPLIED MODEL	RESTRICTION/REMARKS
								A FVZ WIDE CAB(FGZ5MV) B GVZ WIDE CAB(GGZ5MV) VENTILATOR & DEFROSTER WO/HEATER<SAZ> EXC. VIN MODEL YEAR 2014<VZE>
727		8-98186-934-0		1404-		01	B	
8-90		Move to 8-90						
6-76		Move to 6-76						
7-45		Move to 7-45						
8-40		Move to 8-40						
8-60		Move to 8-60						
8-73		Move to 8-73						

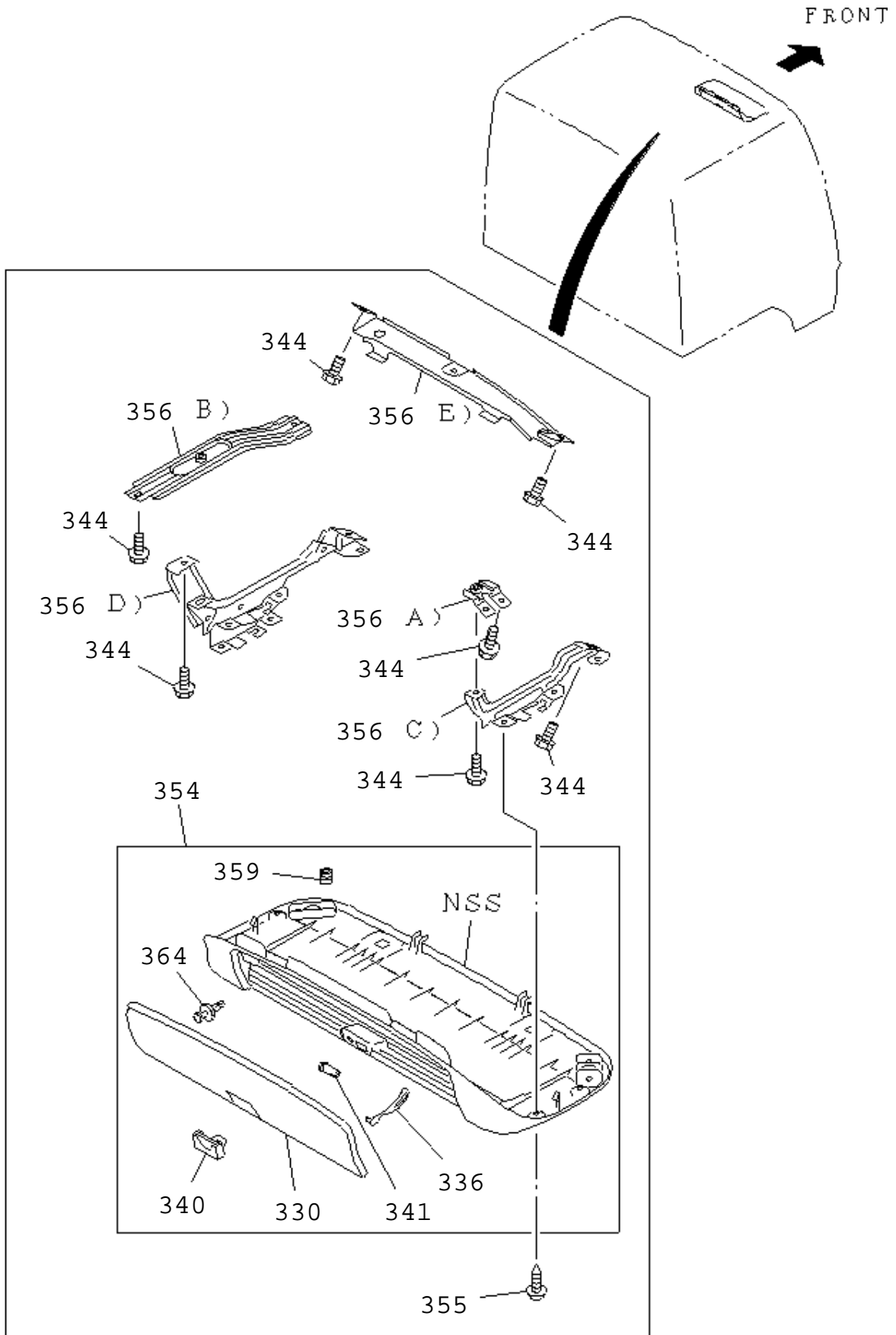


7-42

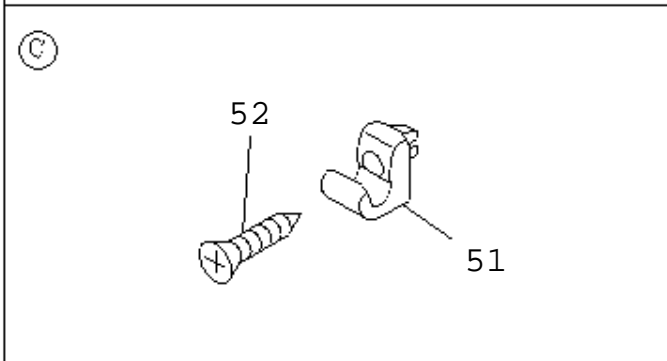
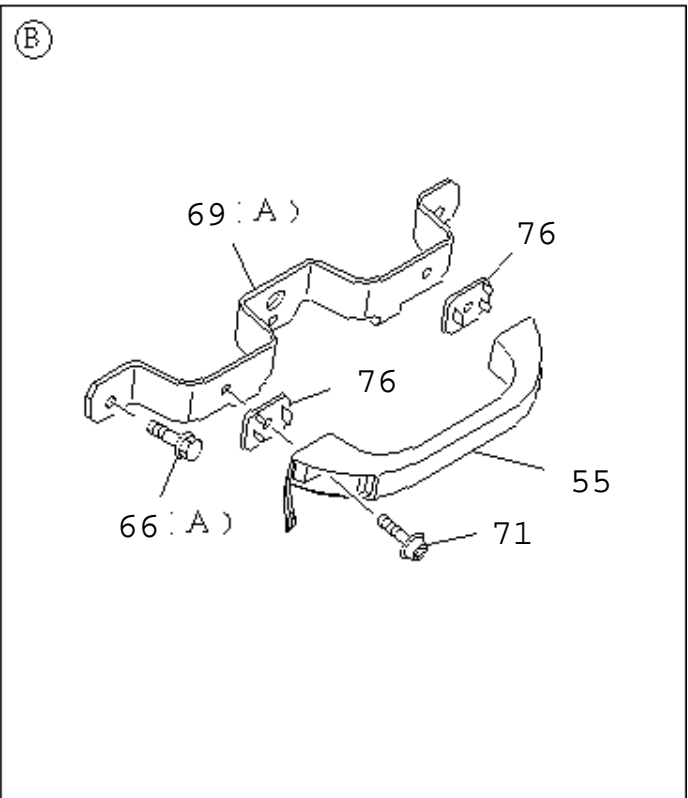
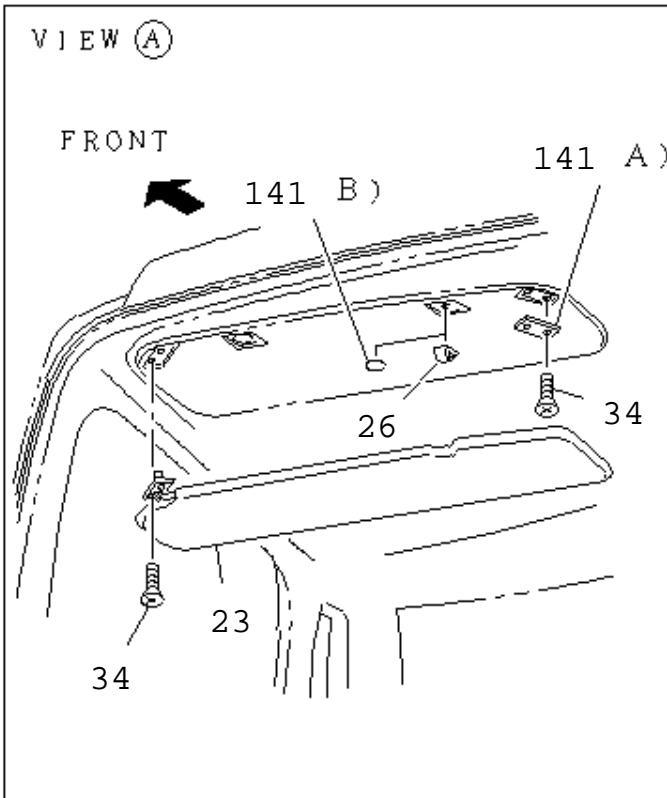
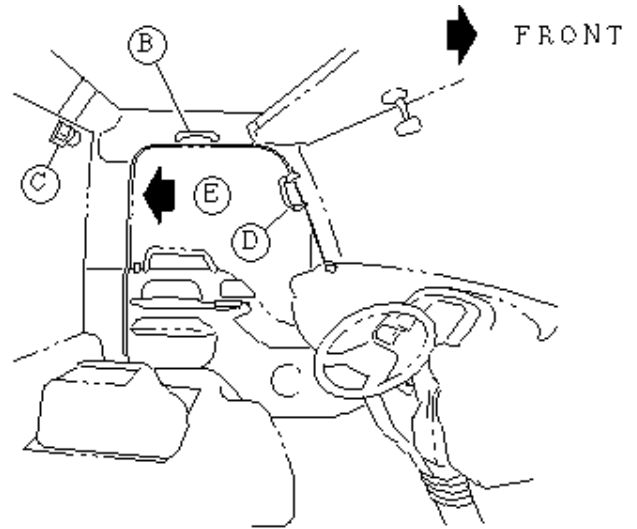
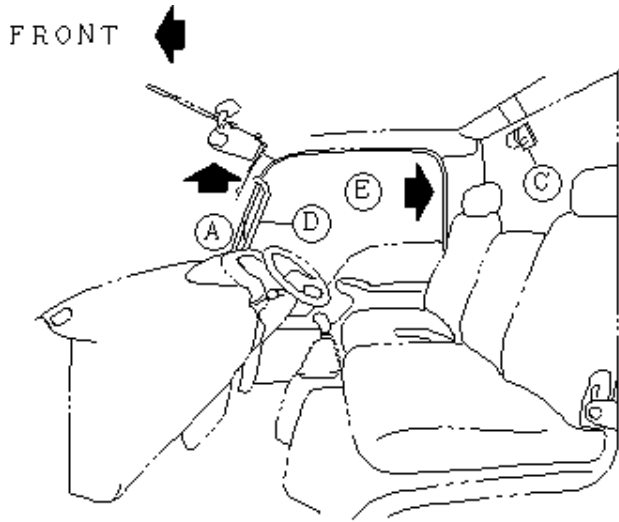
ASH TRAY

KEY	R / C	PART NAME PART NUMBER	I T C	APPLIED DATE	L / R	Qty	APPLIED MODEL	RESTRICTION/REMARKS	
								A FVZ WIDE CAB (FGZ5MV)	B GVZ WIDE CAB (GGZ5MV)
8		TRAY ASM; ASH 8-97405-320-1		1312-1403	R	01	A		
		8-97405-320-1		1404-	R	01	AB		GRAY IDN
6-30		Move to 6-30							GRAY IDN
6-35		Move to 6-35							

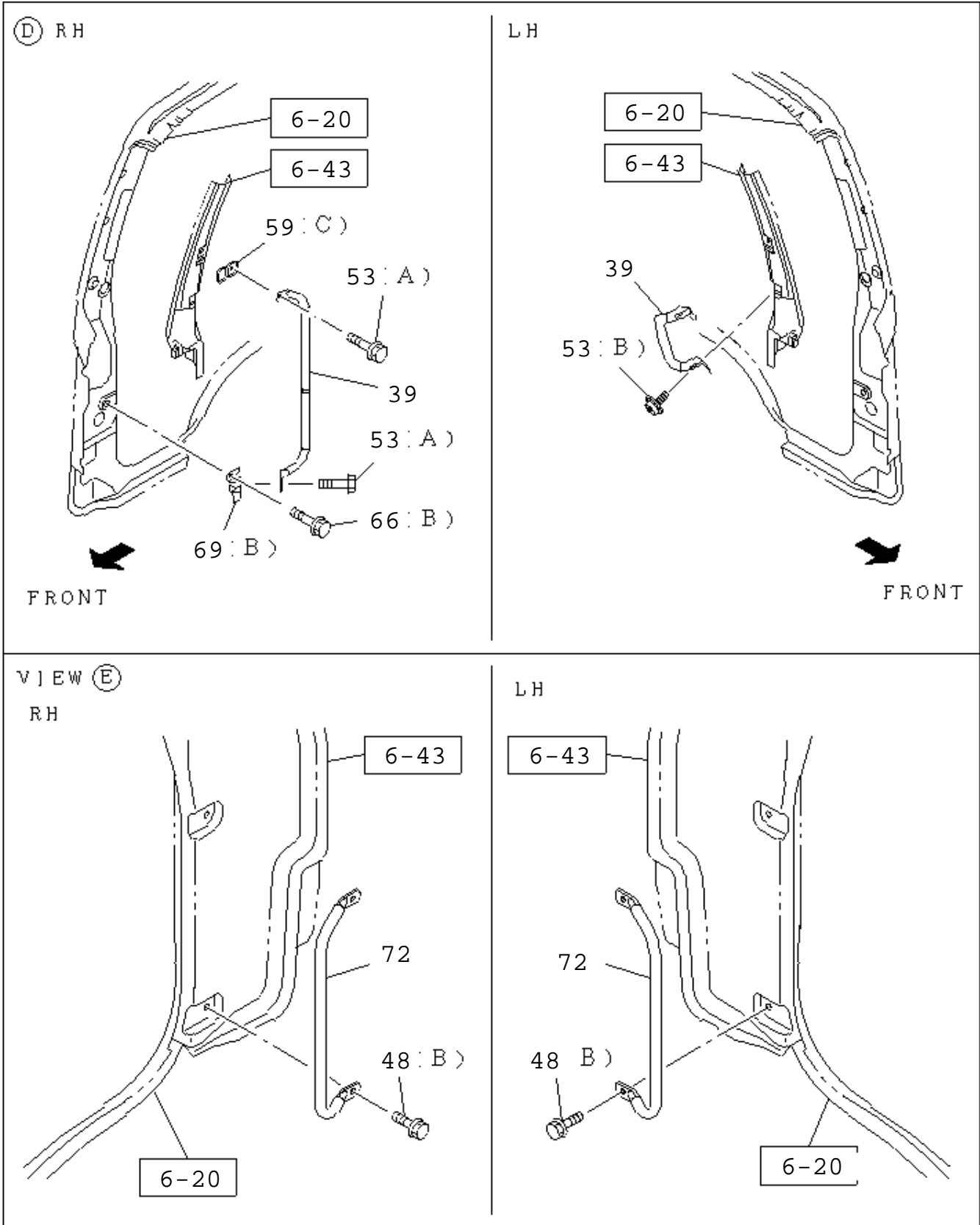
7-43 SUN VISOR AND ASSIST GRIP
TRAY;HEADER ROOF



7-43 SUN VISOR AND ASSIST GRIP
SUN VISOR AND OTHER PARTS

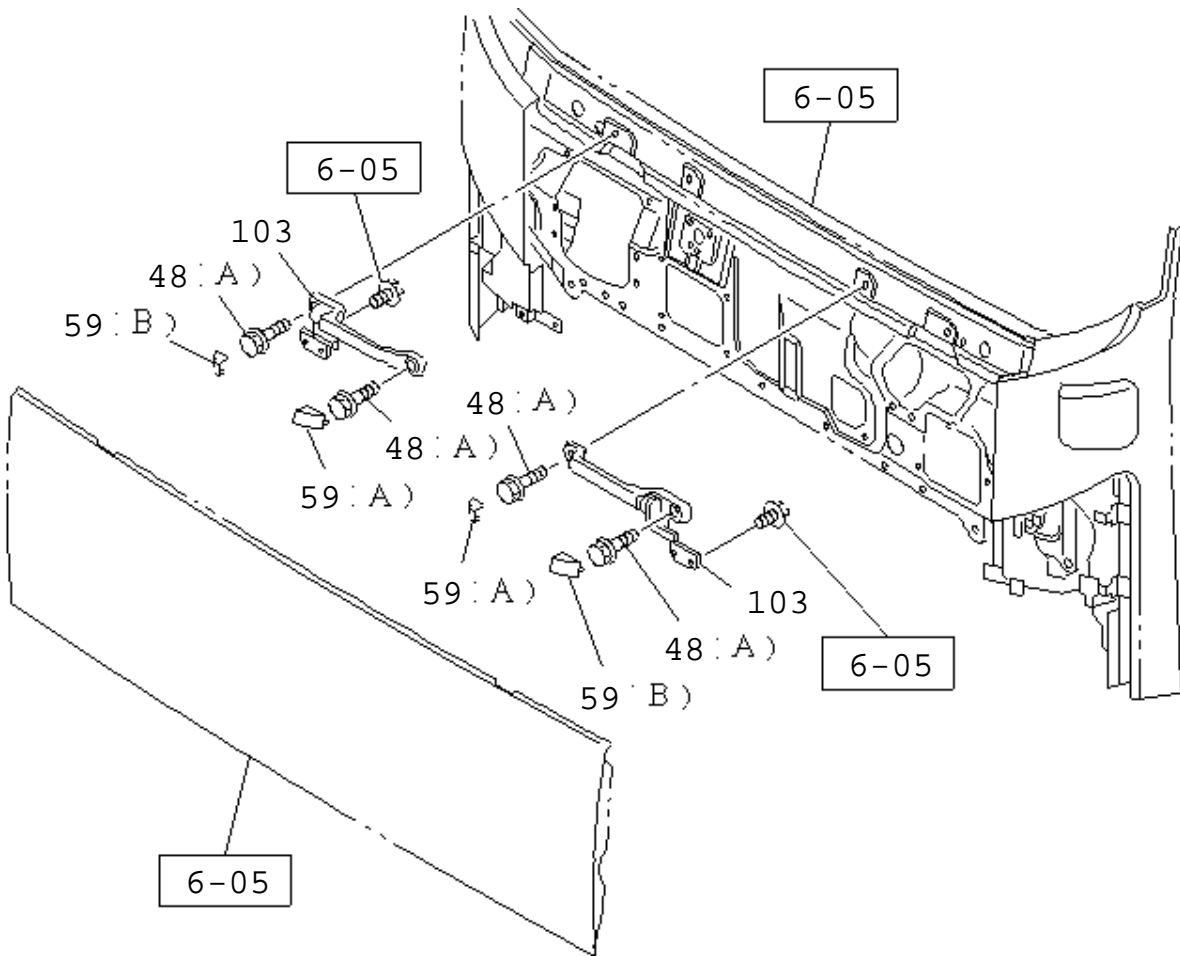


7-43 SUN VISOR AND ASSIST GRIP
ASSIST GRIP NO.1



7-43 SUN VISOR AND ASSIST GRIP

ASSIST GRIP NO.2



SUN VISOR AND ASSIST GRIP

KEY	R / C	PART NAME PART NUMBER	I T C	APPLIED DATE	L / R	Qty	APPLIED MODEL	RESTRICTION/REMARKS	
								A FVZ WIDE CAB (FGZ5MV)	B GVZ WIDE CAB (GGZ5MV)
23		SUN VISOR 8-97407-373-2		1312-1403	R	01	A		
		8-97407-373-2		1404-	R	01	AB	DARK GRAY IDN	
26		HOLDER; SUN VISOR 8-97405-171-0		1312-1403		01	A	DARK GRAY	
		8-97405-171-0		1404-		01	AB	DARK GRAY	
34		SCREW; SUN VISOR 8-98033-674-0		1312-1403		04	A	M6X26	
		8-98033-674-0		1404-		04	AB	M6X26	
39		HANDLE; ASSIST, A-POST 8-97405-249-2		1312-1403	L	01	A	DARK GRAY	
		8-97405-249-2		1404-	L	01	AB	DARK GRAY	
		8-97407-942-2		1312-1403	R	01	A	DARK GRAY IDN	
		8-97407-942-2		1404-	R	01	AB	DARK GRAY IDN	
48		BOLT; ASSIST GRIP 0-28060-816-0		1312-1403		04	A	(B) M8X16 FLANGE	
		0-28060-816-0		1404-		04	AB	(B) M8X16 FLANGE	
		0-28660-830-0		1312-1403		04	A	(A) M8X30 FLANGE	
		0-28660-830-0		1404-		04	AB	(A) M8X30 FLANGE	
51		HOOK; COAT HANGER 8-97409-845-0		1312-1403		02	A	DARK GRAY	
		8-97409-845-0		1404-		02	AB	DARK GRAY	
52		SCREW; HOOK 0-70540-420-0		1312-1403		02	A	M4X20 TAPPING OVAL-HEAD IDN	
		0-70540-420-0		1404-		02	AB	M4X20 TAPPING OVAL-HEAD IDN	
53		SCREW; ASSIST HANDLE 8-98004-344-0		1312-1403	L	02	A	(B) M6X28	
		8-98004-344-0		1404-	L	02	AB	(B) M6X28	
		0-28650-820-0		1312-1403	R	02	A	(A) M8X20 FLANGE IDN	
		0-28650-820-0		1404-	R	02	AB	(A) M8X20 FLANGE IDN	
55		GRIP; ASSIST, CAB SIDE UPR 8-97405-285-2		1312-1403		01	A	DARK GRAY	
		8-97405-285-2		1404-		01	AB	DARK GRAY	
59		COVER; ASSIST GRIP							

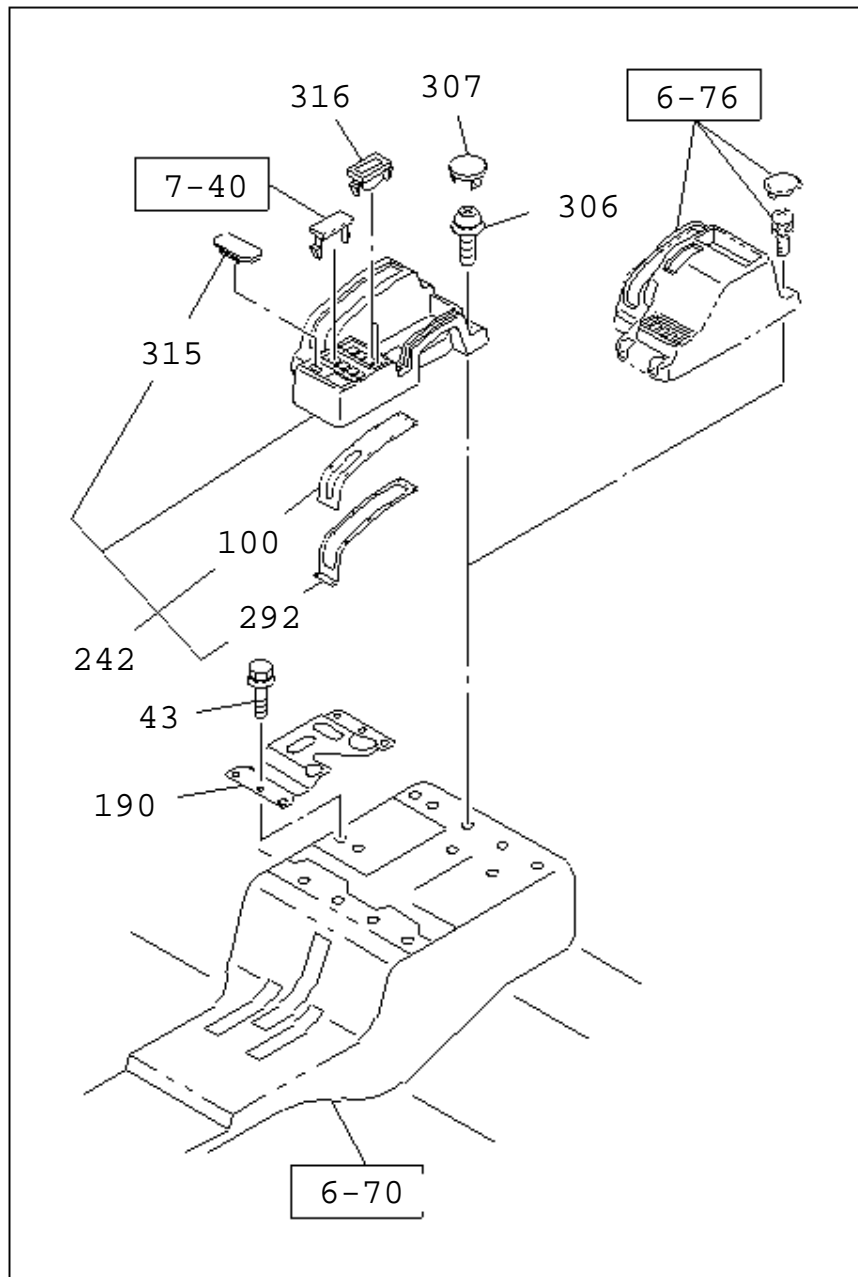
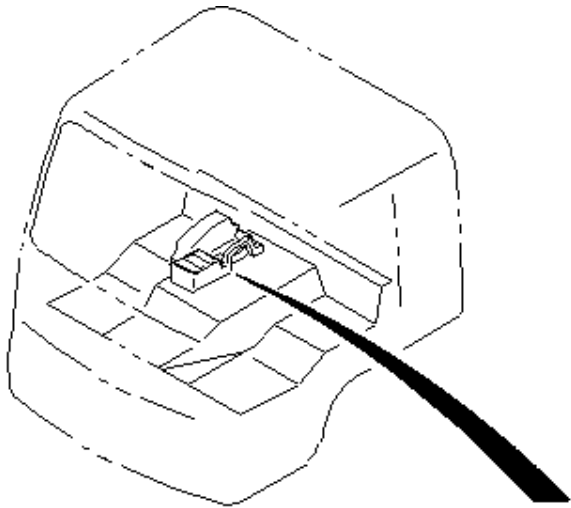
KEY	R / C	PART NAME PART NUMBER	I T C	APPLIED DATE	L / R	Qty	APPLIED MODEL	RESTRICTION/REMARKS	
								A FVZ WIDE CAB (FGZ5MV)	B GVZ WIDE CAB (GGZ5MV)
59		1-71998-789-2		1312-1403		02	A		
		1-71998-789-2		1404-		02	AB	(B)	
		1-71998-790-2		1312-1403		02	A	(B)	
		1-71998-790-2		1404-		02	AB	(A)	
		8-97407-417-1		1312-1403	R	01	A	(A)	
		8-97407-417-1		1404-	R	01	AB	(C)	DARK GRAY
66		BOLT; ASSIST GRIP BRKT 0-28050-816-0		1312-1403		04	A	(C)	DARK GRAY
		0-28050-816-0		1404-		04	AB	(B)	M8X16 FLANGE
		8-97108-669-0		1312-1403		03	A	(B)	M8X16 FLANGE
		8-97108-669-0		1404-		03	AB	(A)	M6X12 FLANGE
69		BRACKET; ASSIST GRIP 8-98014-094-0		1312-1403		01	A	(A)	M6X12 FLANGE
		8-98014-094-0		1404-		01	AB	(A)	
		8-98057-972-2		1312-1403	L	01	A	(B)	
		8-98057-972-2		1404-	L	01	AB	(B)	
		8-98057-971-2		1312-1403	R	01	A	(B)	
		8-98057-971-2		1404-	R	01	AB	(B)	
71		SCREW 8-98004-344-0		1312-1403		02	A		M6X28
		8-98004-344-0		1404-		02	AB		M6X28
72		GRIP; ASSIST, CAB ENTRY, BACK 8-98084-136-1		1402-	R	01	A		MIXER CHASSIS<6NR>
		8-98084-137-1		1402-	L	01	A		MIXER CHASSIS<6NR>
		8-97386-939-0		1312-1401		02	A		IDN
		8-97386-939-0		1402-1403		02	A		IDN
		8-97386-939-0		1404-		02	A		EXC. MIXER CHASSIS<6NR>
		8-97386-939-0		1404-		02	B		IDN
76		SPACER; ASSIST GRIP 8-97405-286-0		1312-1403		02	A		DARK GRAY
		8-97405-286-0		1404-		02	AB		DARK GRAY
103		GRIP; ASSIST, FRT PNL 8-98036-565-1		1312-1403	L	01	A		
		8-98036-565-1		1404-	L	01	AB		
		8-98036-566-1		1312-1403	R	01	A		
		8-98036-566-1		1404-	R	01	AB		
141		COVER; SUN VISOR 8-97408-029-0		1312-1403		01	A		(A)
		8-97408-029-0		1404-		01	AB		L=66 B=30 DARK GRAY
									(A)
									L=66 B=30 DARK GRAY

KEY	R / C	PART NAME PART NUMBER	I T C	APPLIED DATE	L / R	Qty	APPLIED MODEL	RESTRICTION/REMARKS	
								A FVZ WIDE CAB (FGZ5MV)	B GVZ WIDE CAB (GGZ5MV)
141		8-97408-030-0		1312-1401		01	A	(B)	OD=30 T=0.05 DARK GRAY
		8-97408-030-0		1402-1403		02	A	(B)	OD=30 T=0.05 DARK GRAY
		8-97408-030-0		1404-		02	AB	(B)	OD=30 T=0.05 DARK GRAY
330		LID; HEADER SHELF 8-97407-834-1		1312-1403	R	01	A		DARK GRAY
		8-97407-834-1		1404-	R	02	AB		DARK GRAY
336		STAY; LID 1-72448-379-3		1312-1403	R	02	A		
		1-72448-379-3		1404-	R	02	AB		
340		LOCK; HEADER SHELF 1-72448-376-0		1312-1403	R	01	A		
		1-72448-376-0		1404-	R	01	AB		
341		HINGE; LID,HEADER SHELF 8-98025-428-2		1312-1403	R	02	A		
		8-98025-428-2		1404-	R	02	AB		
344		BOLT; BRKT,FRT 8-97108-669-0		1404-		02	AB		M6X12 FLANGE
		8-97108-669-0		1312-1403		10	A		M6X12 FLANGE
		8-97108-669-0		1404-	R	08	AB		M6X12 FLANGE
354		TRAY; HEADER ROOF 8-97407-386-5	C	1312-1401	R	01	A		DARK GRAY
		8-97428-821-0		1402-1403	R	01	A		DARK GRAY
		8-97428-821-0		1404-	R	01	AB		DARK GRAY
355		SCREW; TRAY 0-72380-516-0		1312-1403	R	04	A		M5X16 HEX SOCKET IDN
		0-72380-516-0		1404-	R	04	AB		M5X16 HEX SOCKET IDN
356		BRACKET; ROOF OUTER 8-97386-874-1		1312-1403	R	01	A		(A)
		8-97386-874-1		1404-	R	01	AB		(A)
		8-98010-059-0		1312-1403	R	01	A		(B)
		8-98010-059-0		1404-	R	01	AB		(B)
		8-98014-088-3		1312-1403	R	01	A		(C)
		8-98014-088-3		1404-	R	01	AB		(C)
		8-98023-257-2		1312-1403	R	01	A		(D)
		8-98023-257-2		1404-	R	01	AB		(D)
		8-98042-015-3		1312-1403	R	01	A		(E)
		8-98042-015-3		1404-	R	01	AB		(E)
359		HOLDER; HEADER TRAY 8-98041-754-0		1312-1403	R	04	A		
		8-98041-754-0		1404-	R	04	AB		
364		STOPPER; LID 8-98010-867-1		1312-1403	R	03	A		IDN
		8-98010-867-1		1404-	R	03	AB		IDN
6-20		Move to 6-20							IDN

7-43

SUN VISOR AND ASSIST GRIP

KEY	R / C	PART NAME PART NUMBER	I T C	APPLIED DATE	L / R	Qty	APPLIED MODEL	RESTRICTION/REMARKS	
								A	B
6-43		Move to 6-43						FVZ WIDE CAB (FGZ5MV)	
6-05		Move to 6-05						GVZ WIDE CAB (GGZ5MV)	



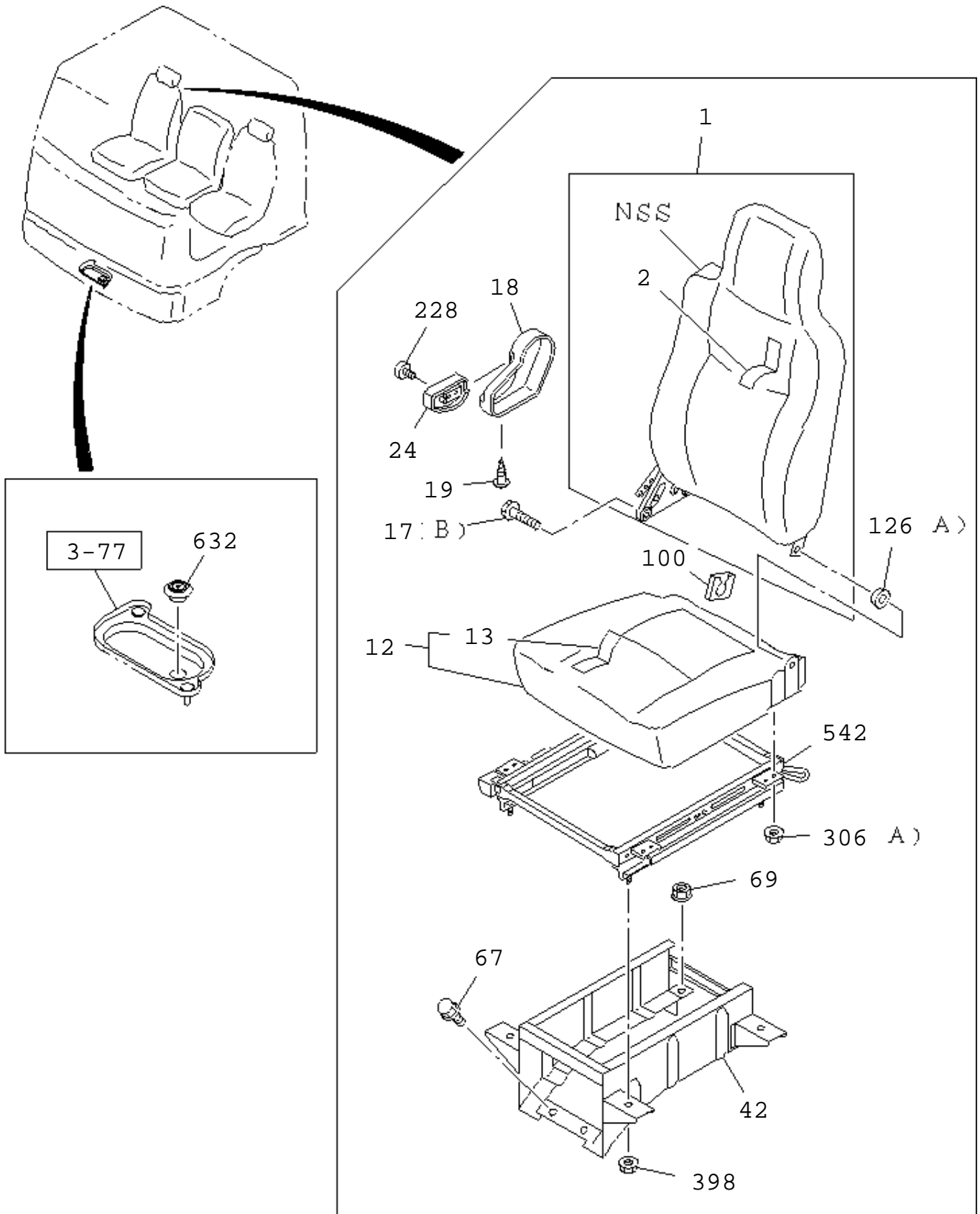
7-45

CONSOLE BOX

KEY	R / C	PART NAME PART NUMBER	I T C	APPLIED DATE	Qty	APPLIED MODEL	RESTRICTION/REMARKS
							A FVZ WIDE CAB(FGZ5MV) B GVZ WIDE CAB(GGZ5MV)
43		SCREW; BRKT, PARCEL BOX 8-94279-201-0		1312-	02	A	
100		RUBBER; CONSOLE, FRT 1-72538-161-3		1312-1403	01	A	M6X19.5 W/LK&PL WASHER
		1-72538-161-3		1404-	01	AB	
190		BRACKET; PARCEL BOX, SEAT SIDE 8-98059-836-0		1312-	01	A	
242		TRAY ASM; CTR CONSOLE 8-97407-950-1		1312-	01	A	
292		RETAINER; COVER 1-72538-162-1		1312-1403	01	A	GRAY
		1-72538-162-1		1404-	01	AB	
306		SCREW; TRAY 0-38050-616-0		1312-	04	A	M6X16 IDN
307		COVER; HOLE, CTR CONSOLE 8-97407-951-0		1312-	04	A	GRAY
315		COVER; HOLE, SW 8-97409-339-0		1312-	01	A	GRAY
316		BOX; COIN 8-94482-280-2		1312-	02	A	GRAY
6-70		Move to 6-70					
6-76		Move to 6-76					
7-40		Move to 7-40					

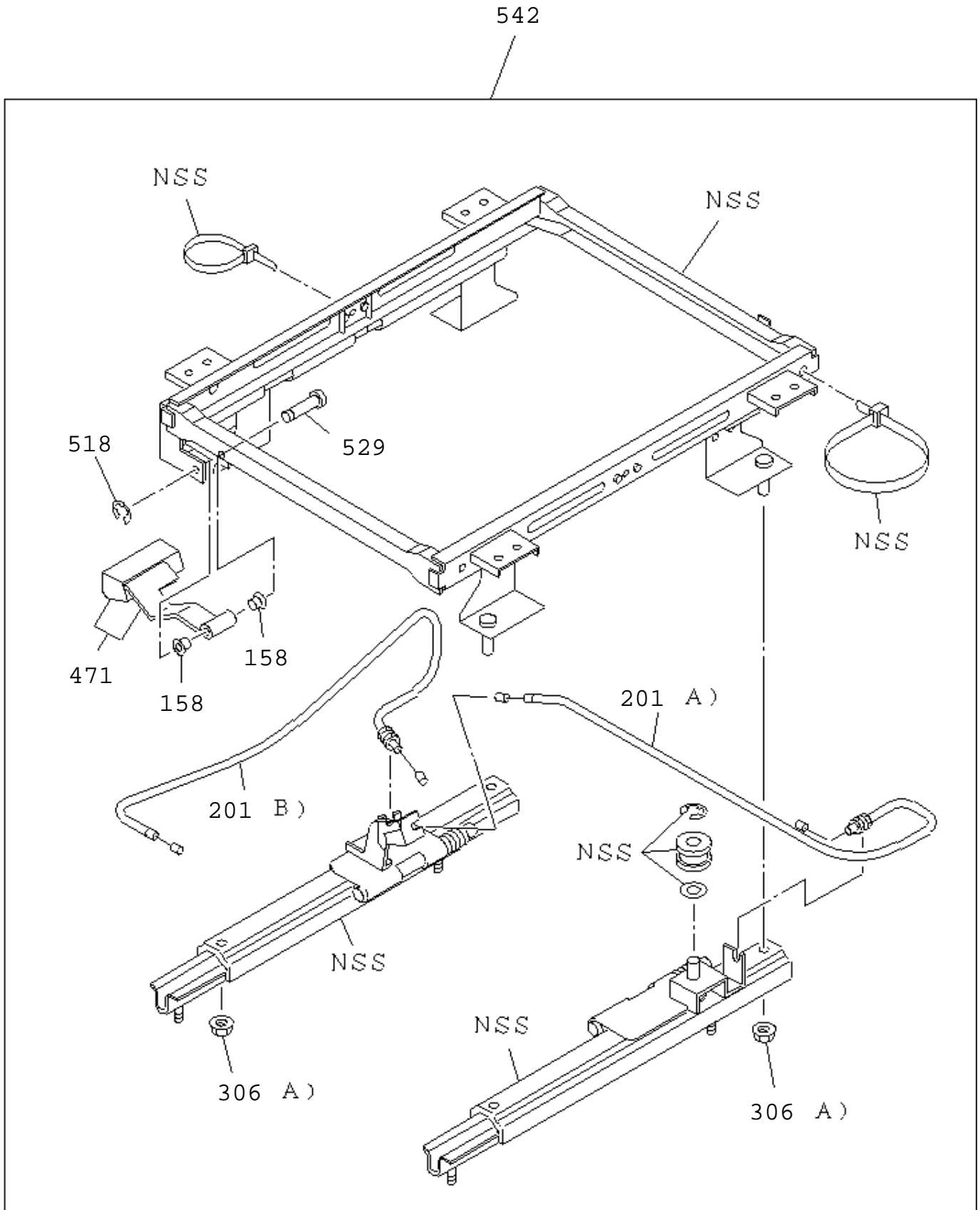
7-50 FRONT SEAT

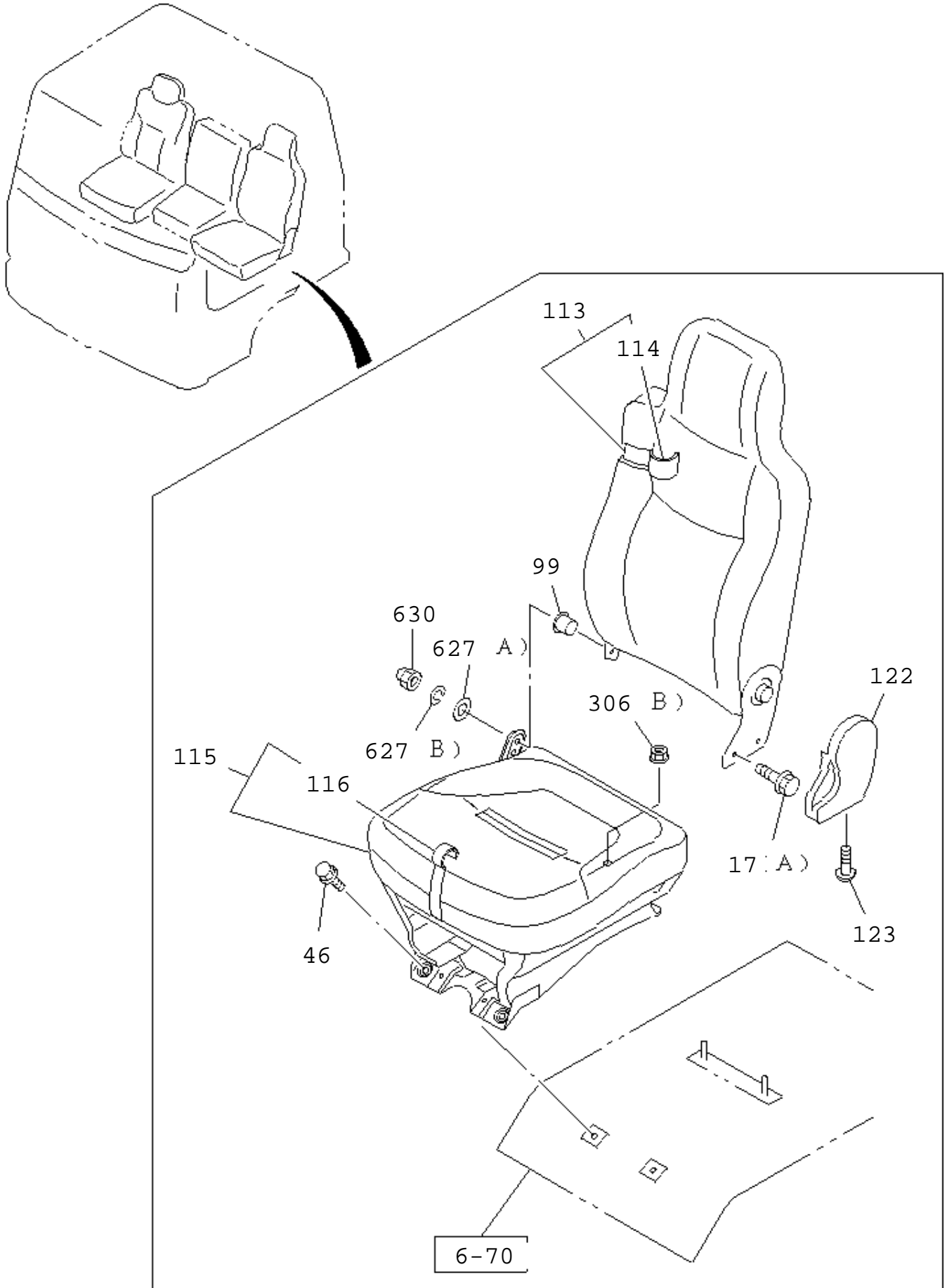
DRIVER NO.1

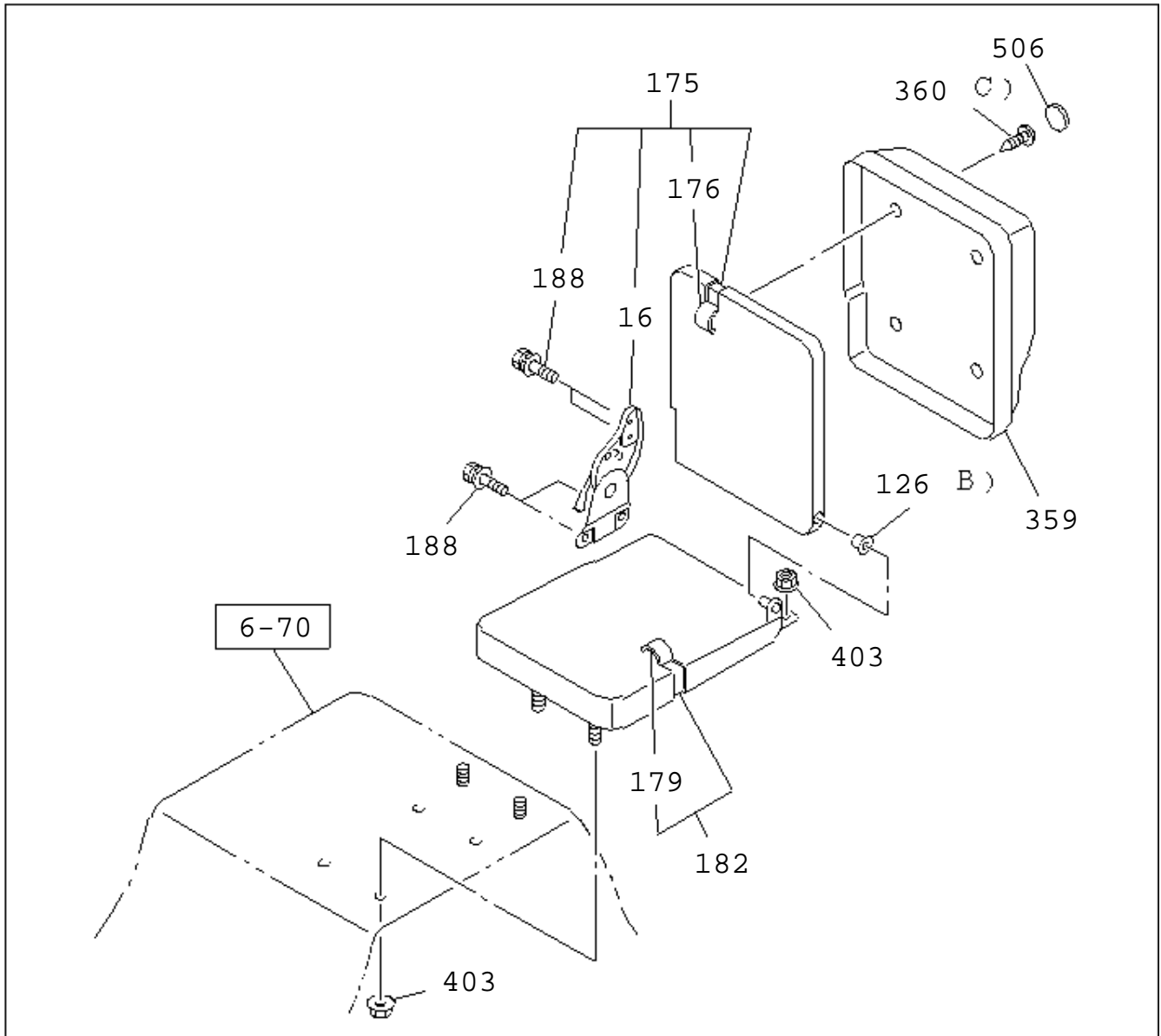
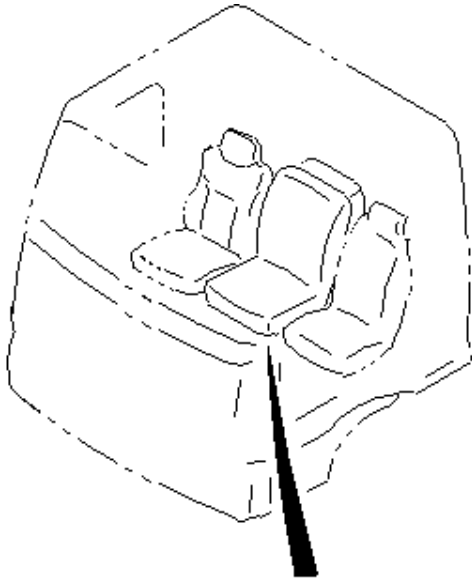


7-50 FRONT SEAT

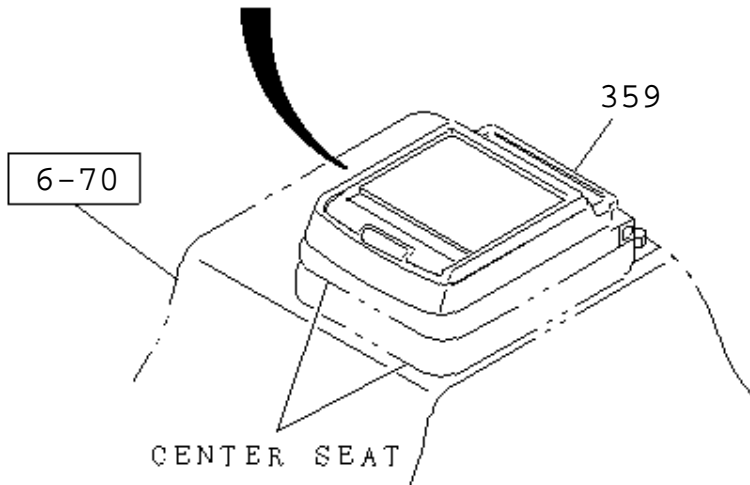
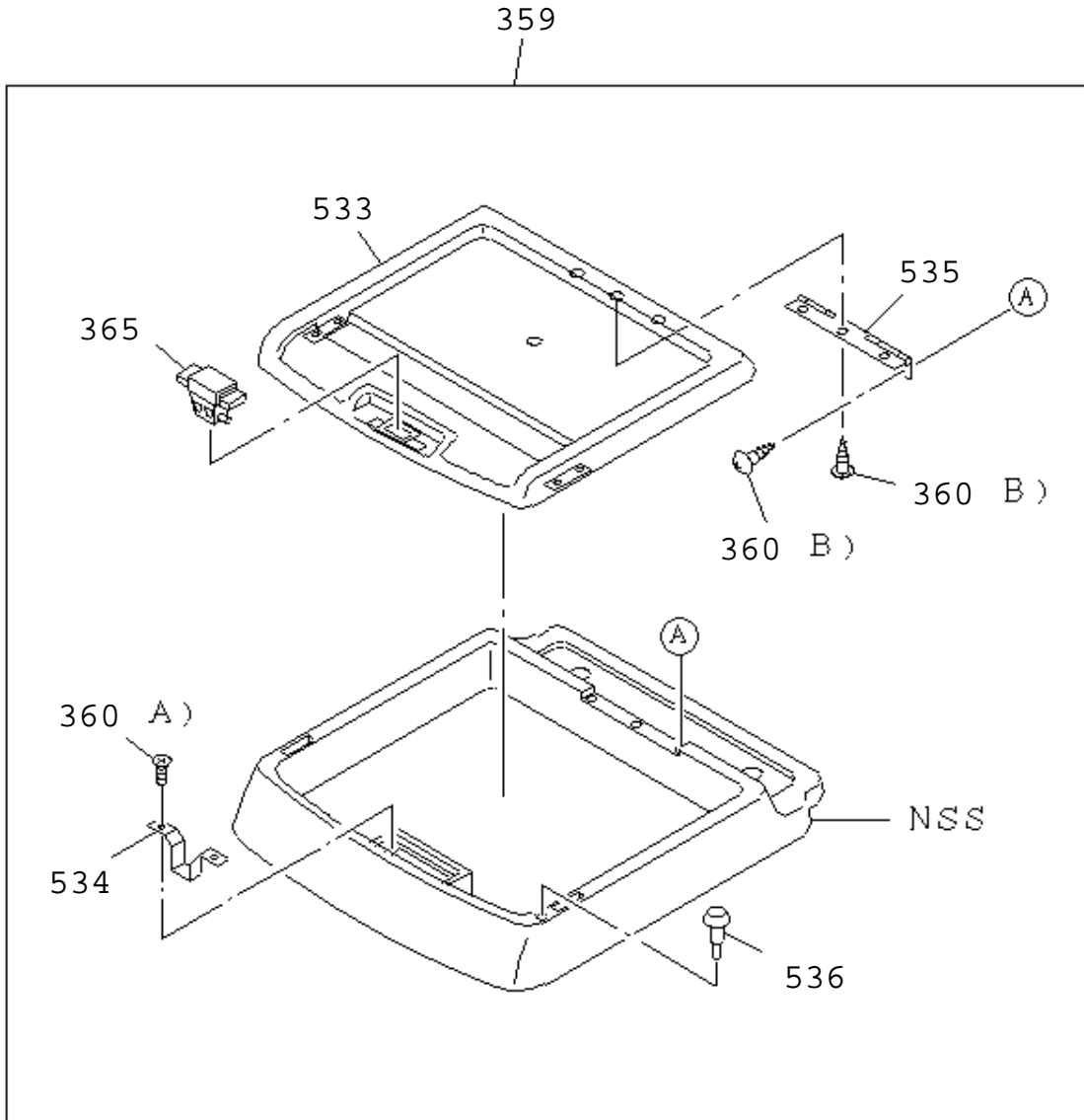
DRIVER NO.2







7-50 FRONT SEAT
COMPONENT PARCEL BOX



7-50

FRONT SEAT

KEY	R / C	PART NAME PART NUMBER	I T C	APPLIED DATE	Qty	APPLIED MODEL	RESTRICTION/REMARKS	
							A	B
1		BACK ASM; SEAT 8-97409-955-5		1312-1403	01	A		A FVZ WIDE CAB (FGZ5MV)
		8-97409-955-5		1404-	01	AB	DARK GRAY IDN	B GVZ WIDE CAB (GGZ5MV)
2		COVER; TRIM, FRT SEAT, BACK 8-97411-910-2		1312-1403	01	A	DARK GRAY IDN	
		8-97411-910-2		1404-	01	AB	DARK GRAY	
12		CUSHION; SEAT, FRT 8-97409-954-1		1312-1403	01	A	DARK GRAY	
		8-97409-954-2		1404-	01	AB	DARK GRAY	
13		COVER; TRIM, FRT SEAT, CUSHION 8-97411-909-0		1312-1403	01	A	DARK GRAY	
		8-97411-909-1		1404-	01	AB	DARK GRAY	
16		ADJUSTER ASM; RECLINING 1-75418-062-1		1312-1403	01	A		
		1-75418-062-1		1404-	01	AB		
17		BOLT; RECLINING 8-98062-661-0		1312-1403	02	A	(B) M10X20	
		8-98062-661-0		1404-	02	AB	(B) M10X20	
		8-98092-334-0		1312-1403	02	A	(A)	
		8-98092-334-0		1404-	02	AB	(A)	
18		COVER; RECLINING 8-97409-332-0		1312-1403	01	A	GRAY	
		8-97409-332-0		1404-	01	AB	GRAY	
19		SCREW; COVER 8-98062-663-0		1312-1403	01	A	M5	
		8-98062-663-0		1404-	01	AB	M5	
24		KNOB; RECLINING, FRT, SEAT 8-97409-333-0		1312-1403	01	A	GRAY	
		8-97409-333-0		1404-	01	AB	GRAY	
42		STAND; DRIVER SEAT 1-75558-604-1		1312-1403	01	A	IDN	
		1-75558-604-2		1404-	01	AB		
46		BOLT; STAND TO FLOOR 0-28451-020-0		1312-1403	02	A	M10X20 FLANGE	
		0-28451-020-0		1404-	02	AB	M10X20 FLANGE	
67		BOLT; FRT SEAT TO BODY 0-28451-020-0		1312-1403	02	A	M10X20 FLANGE	
		0-28451-020-0		1404-	02	AB	M10X20 FLANGE	
69		NUT; FRT SEAT 0-91180-110-0		1312-1403	02	A	M10 FLANGE	
		0-91180-110-0		1404-	02	AB	M10 FLANGE	
99		BUSHING; SEAT BACK 8-98112-751-0		1312-1403	01	A		
		8-98112-751-0		1404-	01	AB		
100		COVER; HINGE						

11567 FVZ/GVZ (INDONESIA) 2014-

7-50

FRONT SEAT

KEY	R / C	PART NAME PART NUMBER	I T C	APPLIED DATE	Qty	APPLIED MODEL	RESTRICTION/REMARKS	
							A	B
100		8-98203-070-0		1312-1403	01	A		A FVZ WIDE CAB (FGZ5MV)
		8-98203-070-0		1404-	01	AB		B GVZ WIDE CAB (GGZ5MV)
113		BACK ASM; SEAT 8-97409-966-1		1312-1403	01	A		DARK GRAY
		8-97409-966-1		1404-	01	AB		DARK GRAY
114		COVER; TRIM, PASSENGER SEAT, BACK 8-97411-916-0		1312-1403	01	A		DARK GRAY
		8-97411-916-0		1404-	01	AB		DARK GRAY
115		CUSHION ASM; PASSENGER SEAT 8-97409-965-0		1312-1403	01	A		DARK GRAY
		8-97409-965-0		1404-	01	AB		DARK GRAY
116		COVER; TRIM, PASSENGER SEAT, CUSHION 8-97411-915-0		1312-1403	01	A		DARK GRAY
		8-97411-915-0		1404-	01	AB		DARK GRAY
122		COVER; ADJ, RECLINING 8-97409-967-0		1312-1403	01	A		GRAY
		8-97409-967-0		1404-	01	AB		GRAY
123		SCREW; COVER, RECLINING 8-98070-026-0		1312-1403	01	A		
		8-98070-026-0		1404-	01	AB		
126		BUSHING; HINGE, RECLINING 8-97854-900-0		1312-1403	01	A		(B)
		8-97854-900-0		1404-	01	AB		(B)
		8-98063-218-0		1312-1403	01	A		(A)
		8-98063-218-0		1404-	01	AB		(A)
158		BUSHING; LINK ARM 1-75518-209-0		1312-1403	02	A		IDN
		1-75518-209-0		1404-	02	AB		IDN
175		BACK ASM; PASSENGER CENTER SEAT 8-97409-975-1		1312-1403	01	A		DARK GRAY
		8-97409-975-1		1404-	01	AB		DARK GRAY
176		COVER; TRIM, PASSENGER SEAT CENTER, BACK 8-97409-976-1		1312-1403	01	A		DARK GRAY
		8-97409-976-1		1404-	01	AB		DARK GRAY
179		COVER; TRIM, PASSENGER SEAT CENTER, CUSH 8-97409-974-0		1312-1403	01	A		DARK GRAY
		8-97409-974-1		1404-	01	AB		DARK GRAY
182		CUSHION ASM; CENTER SEAT 8-97409-973-2		1312-1403	01	A		DARK GRAY
		8-97409-973-3		1404-	01	AB		DARK GRAY
188		BOLT; BACK TO CUSHION 1-75198-053-0		1312-1403	04	A		M10X16 FLANGE
		1-75198-053-0		1404-	04	AB		M10X16 FLANGE
201		CABLE; ADJ 1-75518-288-0		1312-1403	01	A		(A) L=667 IDN

7-50

FRONT SEAT

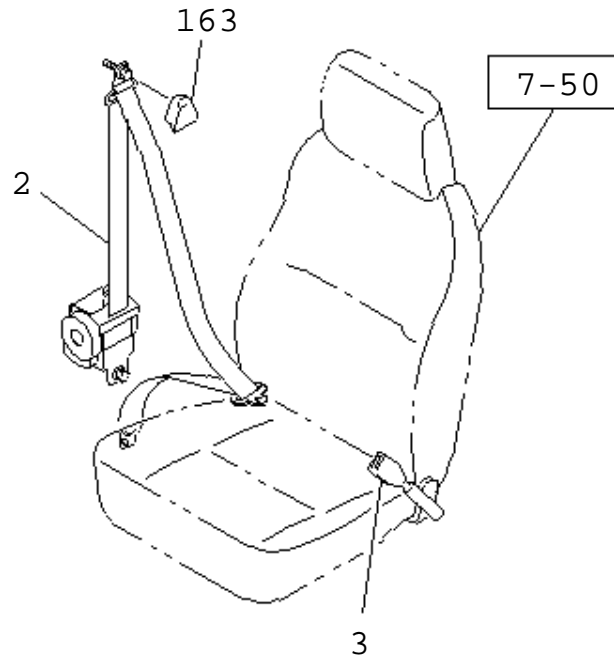
KEY	R / C	PART NAME PART NUMBER	I T C	APPLIED DATE	Qty	APPLIED MODEL	RESTRICTION/REMARKS
							A FVZ WIDE CAB (FGZ5MV) B GVZ WIDE CAB (GGZ5MV)
201		1-75518-288-0		1404-	01	AB	(A) L=667 IDN
		1-75518-289-1		1312-1403	01	A	(B) L=605 IDN
		1-75518-289-1		1404-	01	AB	(B) L=605 IDN
228		SCREW; KNOB 8-98062-662-0		1312-1403	01	A	M4
		8-98062-662-0		1404-	01	AB	M4
306		NUT; SEAT ADJ 0-91180-110-0		1312-1403	02	A	(B) M10 FLANGE
		0-91180-110-0		1404-	02	AB	(B) M10 FLANGE
		1-75538-207-0		1312-1403	08	A	(A) M8 FLANGE
		1-75538-207-0		1404-	08	AB	(A) M8 FLANGE
359		BOX; PARCEL 8-97417-261-0		1312-1403	01	A	GRAY
		8-97417-261-0		1404-	01	AB	GRAY
360		SCREW; PARCEL 0-70040-416-0		1312-1403	06	A	(B) M4X16
		0-70040-416-0		1404-	06	AB	(B) M4X16
		0-70040-514-0		1312-1403	02	A	(A) M5X14 TAPPING CK-HEAD
		0-70040-514-0		1404-	02	AB	(A) M5X14 TAPPING CK-HEAD
		8-98062-663-0		1312-1403	04	A	(C) M5
		8-98062-663-0		1404-	04	AB	(C) M5
365		LOCK ASM; SEAT 1-72538-312-0		1312-1403	01	A	
		1-72538-312-0		1404-	01	AB	
398		NUT; STAND 1-75538-207-0		1312-1403	04	A	M8 FLANGE
		1-75538-207-0		1404-	04	AB	M8 FLANGE
403		NUT; CENTER SEAT 0-91180-108-0		1312-1403	04	A	M8 FLANGE
		0-91180-108-0		1404-	04	AB	M8 FLANGE
471		LEVER; SEAT ADJ 8-98107-869-0		1312-1403	01	A	
		8-98107-869-0		1404-	01	AB	
506		CAP; PARCEL BOX 8-97409-980-1		1312-1403	02	A	GRAY

7-50

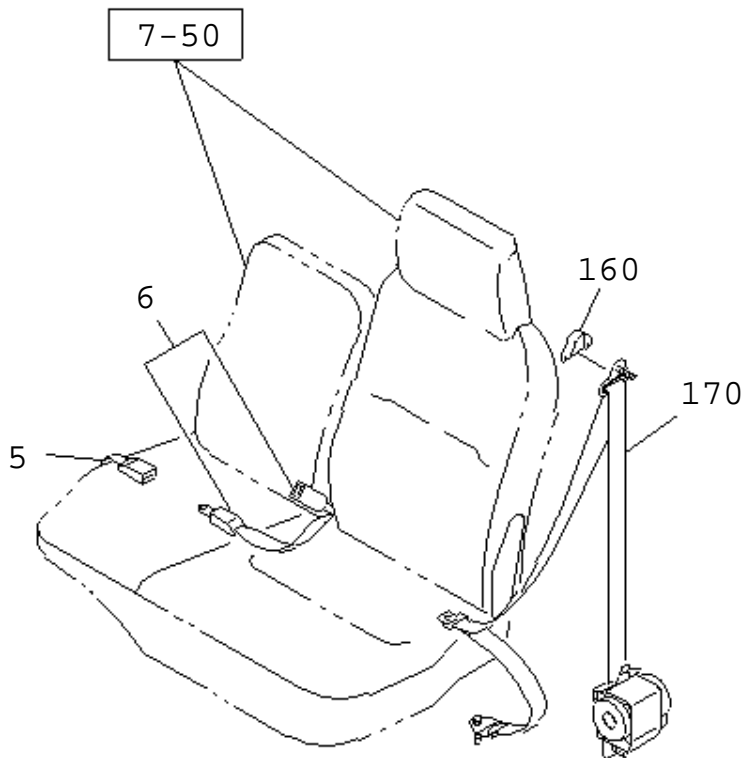
FRONT SEAT

KEY	R / C	PART NAME PART NUMBER	I T C	APPLIED DATE	Qty	APPLIED MODEL	RESTRICTION/REMARKS	
							A	B
506		8-97409-980-1		1404-	02	AB	A	FVZ WIDE CAB (FGZ5MV)
518		NUT; TILT ADJ 1-75518-263-0		1312-1403	01	A	B	GVZ WIDE CAB (GGZ5MV)
		1-75518-263-0		1404-	01	AB		GRAY
529		PIN; LINK 1-75518-262-0		1312-1403	01	A		IDN
		1-75518-262-0		1404-	01	AB		IDN
533		LID; PARCEL BOX 8-97417-263-0		1312-1403	01	A		IDN
		8-97417-263-0		1404-	01	AB		GRAY
534		STRIKER; PARCEL BOX 1-72538-190-0		1312-1403	01	A		GRAY
		1-72538-190-0		1404-	01	AB		
535		HINGE; PARCEL BOX 1-72447-391-1		1312-1403	01	A		
		1-72447-391-1		1404-	01	AB		
536		RUBBER; CUSHION 1-72538-187-0		1312-1403	02	A		
		1-72538-187-0		1404-	02	AB		
542		ADJUSTER ASM; SEAT SLIDE 8-98093-310-0		1312-1403	01	A		
		8-98093-310-0		1404-	01	AB		
627		WASHER; FRT SEAT 8-98063-223-0		1312-1403	01	A		(A)
		8-98063-223-0		1404-	01	AB		(A)
		8-98063-224-0		1312-1403	01	A		(B)
		8-98063-224-0		1404-	01	AB		(B)
630		NUT; CAP 8-98063-225-0		1312-1403	01	A		M8
		8-98063-225-0		1404-	01	AB		M8
632		GROMMET 8-94119-796-0		1312-1403	01	A		OD=24
		8-94119-796-0		1404-	01	AB		OD=24
3-77		Move to 3-77						
6-70		Move to 6-70						

DRIVER



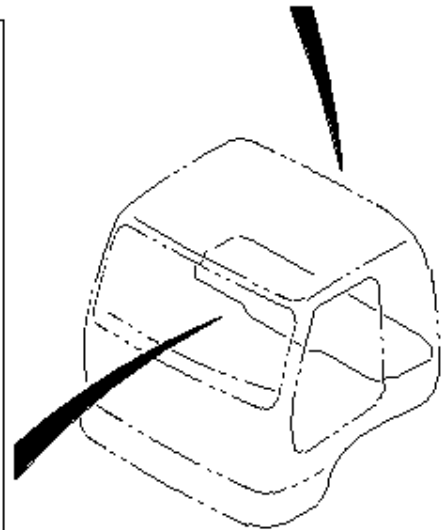
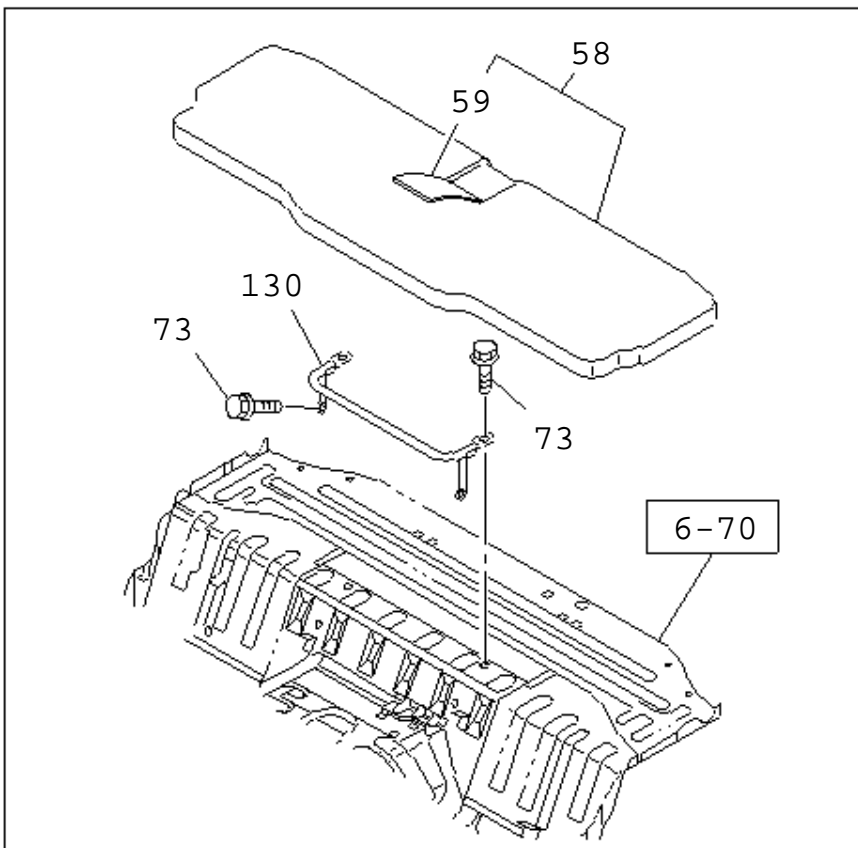
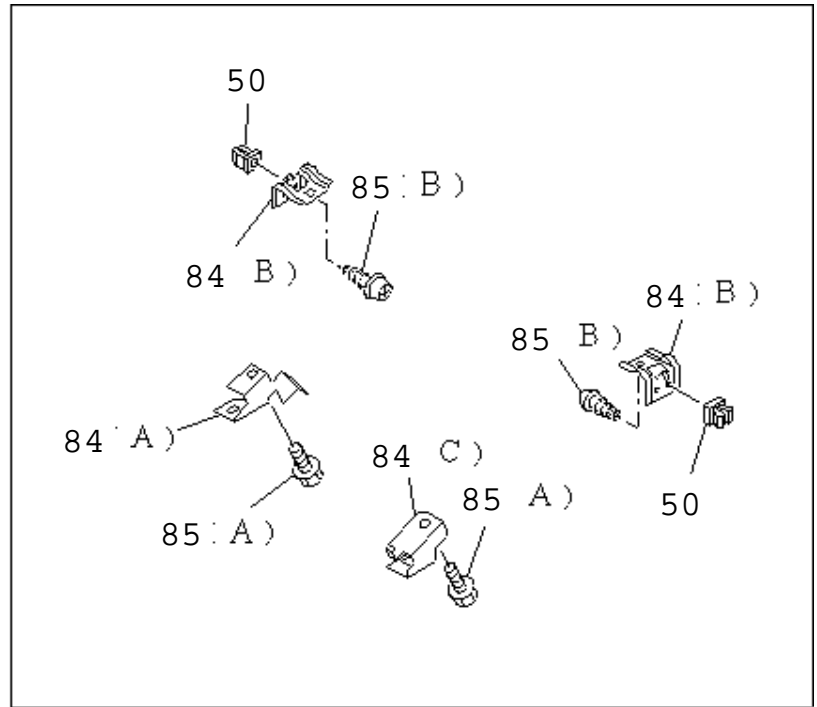
PASSENGER AND CENTER



7-60

SEAT BELT

KEY	R / C	PART NAME PART NUMBER	I T C	APPLIED DATE	Qty	APPLIED MODEL	RESTRICTION/REMARKS	
							A FVZ WIDE CAB (FGZ5MV)	B GVZ WIDE CAB (GGZ5MV)
2		BELT; SEAT, TONGUE SIDE 8-97423-516-1		1312-1403	01	A		
		8-97423-516-1		1404-1407	01	AB	GRAY	
		8-97428-435-0		1408-	01	AB	GRAY	IDN
3		BELT; SEAT, BUCKLE SIDE 8-97407-375-4		1312-1403	01	A	GRAY	IDN
		8-97407-375-4		1404-	01	AB	GRAY	IDN
5		BELT; CENTER SEAT, BUCKLE SIDE 8-97407-377-1		1312-1403	01	A	GRAY	IDN
		8-97407-377-1		1404-	01	AB	GRAY	IDN
6		BELT; CENTER SEAT, TONGUE SIDE 8-97423-515-1		1312-1403	01	A	GRAY	
		8-97423-515-1		1404-	01	AB	GRAY	
160		COVER; THROUGH ANCHOR 8-97405-991-0		1312-1403	01	A	GRAY	IDN
		8-97405-991-0		1404-	01	AB	GRAY	IDN
163		COVER; ADJUSTER 8-97405-991-0		1312-1403	01	A	GRAY	IDN
		8-97405-991-0		1404-	01	AB	GRAY	IDN
170		BELT; PASSENGER SEAT, TONGUE SIDE 8-97423-516-1		1312-1403	01	A	GRAY	
		8-97423-516-1		1404-1407	01	AB	GRAY	
		8-97428-435-0		1408-	01	AB	GRAY	IDN
7-50		Move to 7-50						



KEY	R / C	PART NAME PART NUMBER	I T C	APPLIED DATE	Qty	APPLIED MODEL	RESTRICTION/REMARKS
							A FVZ WIDE CAB (FGZ5MV) B GVZ WIDE CAB (GGZ5MV)
50		GROMMET; SCREW, CURTAIN RAIL 8-94279-078-0		1312-1403	02	A	D=8.6X7.7 L=7.5 IDN
		8-94279-078-0		1404-	02	AB	D=8.6X7.7 L=7.5 IDN
58		BED; MAT 8-97409-894-1		1312-1403	01	A	DARK GRAY IDN
		8-97409-894-1		1404-	01	AB	DARK GRAY IDN
59		COVER ASM; TRIM, BED MAT 8-97414-135-0		1312-1403	01	A	DARK GRAY
		8-97414-135-0		1404-	01	AB	DARK GRAY
73		BOLT; GUARD PIPE 0-28450-820-0		1312-1403	04	A	M8X20 FLANGE
		0-28450-820-0		1404-	04	AB	M8X20 FLANGE
84		BRACKET; CURTAIN RAIL 8-98042-152-0		1312-1403	02	A	(B)
		8-98042-152-0		1404-	02	AB	(B)
		8-98049-290-1		1312-1403	01	A	(A)
		8-98049-290-1		1404-	01	AB	(A)
		8-98074-740-0		1312-1403	01	A	(C)
		8-98074-740-0		1404-	01	AB	(C)
85		SCREW; BRKT 5-09981-059-0		1312-1403	02	A	(B) M5X20
		5-09981-059-0		1404-	02	AB	(B) M5X20
		8-97108-669-0		1312-1403	02	A	(A) M6X12 FLANGE
		8-97108-669-0		1404-	02	AB	(A) M6X12 FLANGE
130		PIPE; GUARD, BED 8-98014-968-0		1312-1403	01	A	
		8-98014-968-0		1404-	01	AB	
6-70		Move to 6-70					