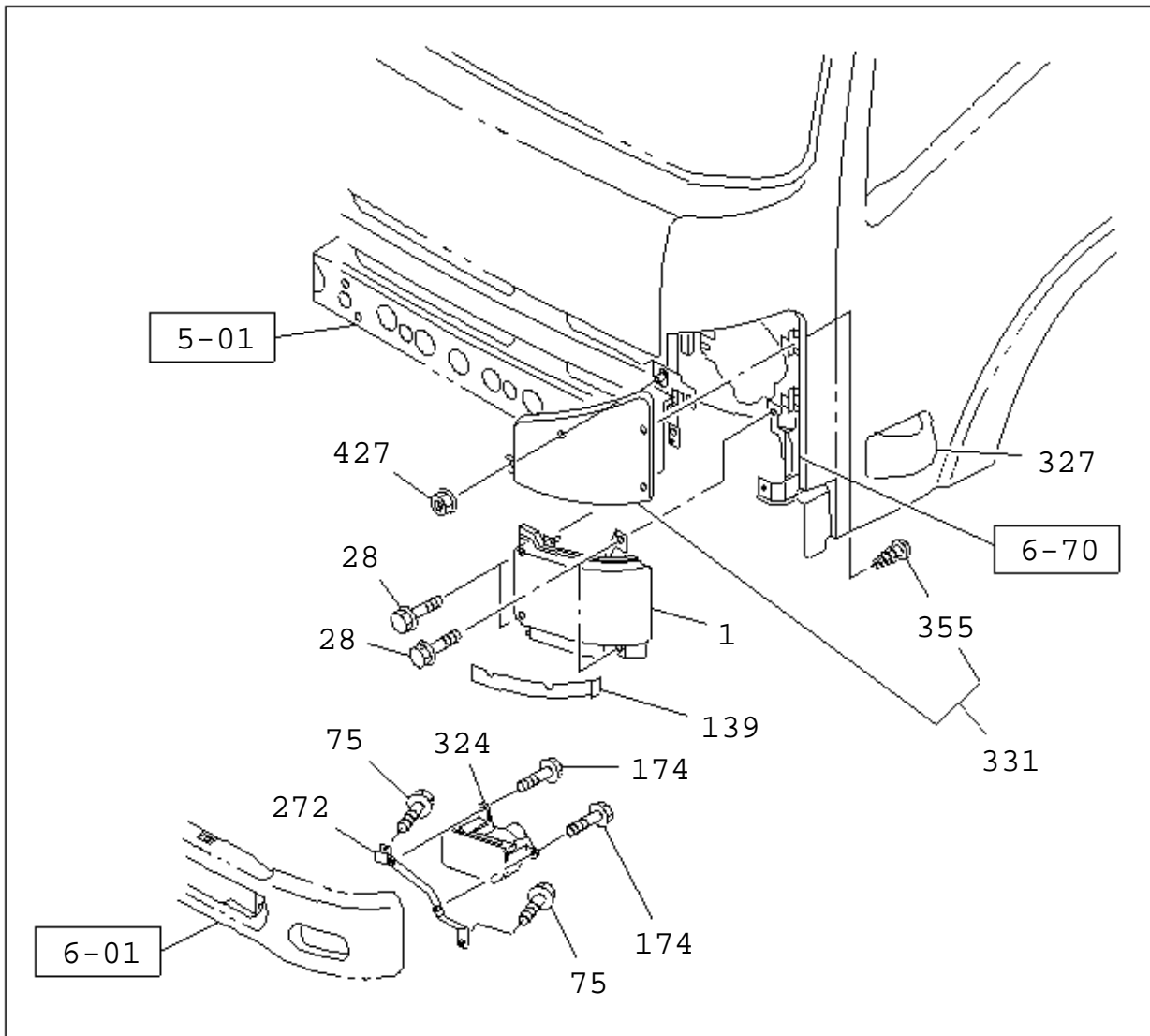
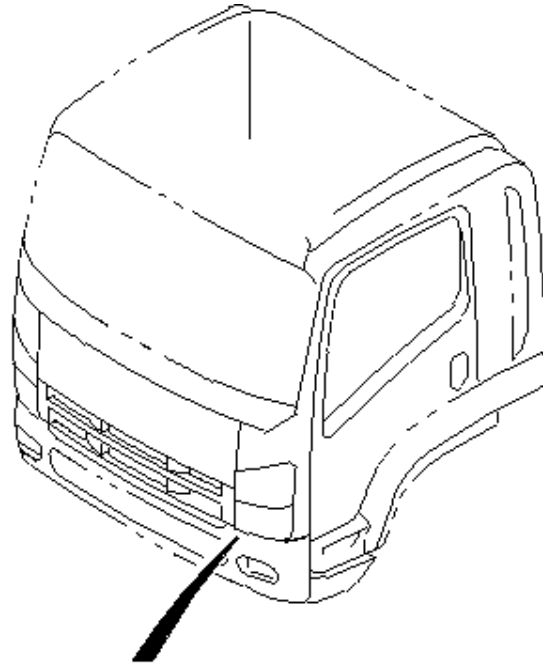
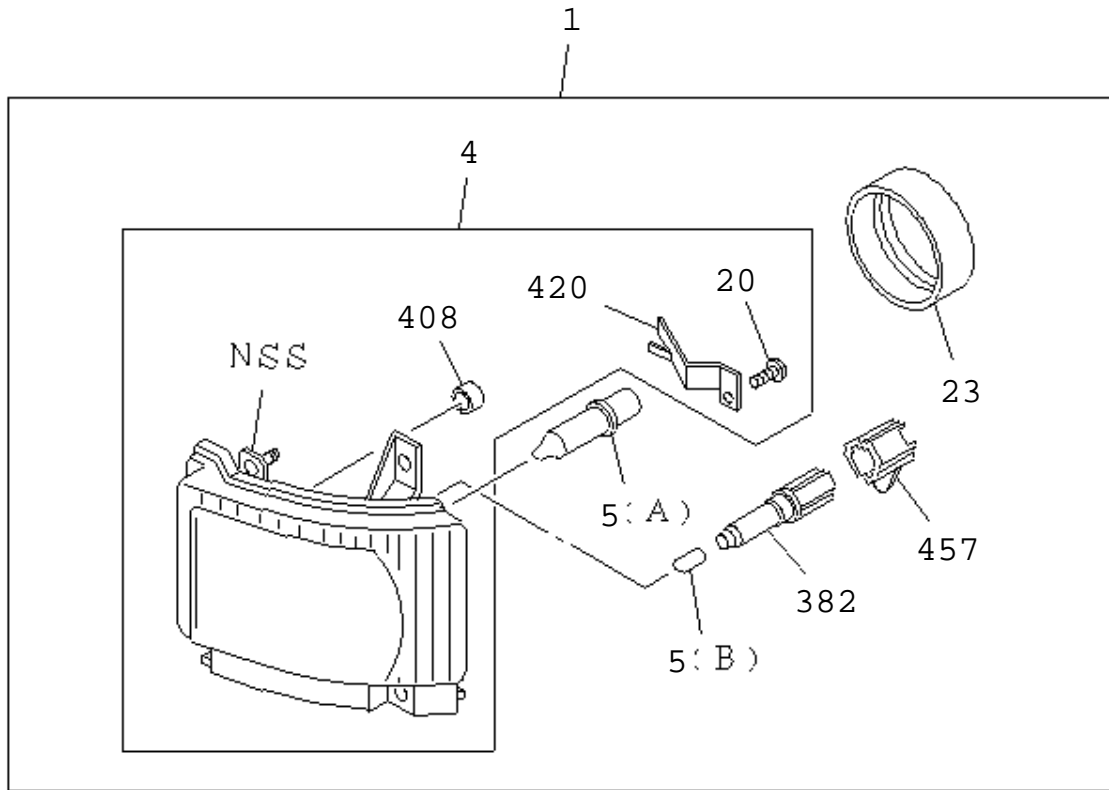


8-01 LAMP; FRONT AND FRONT SIDE
FIXING; FRONT LAMP

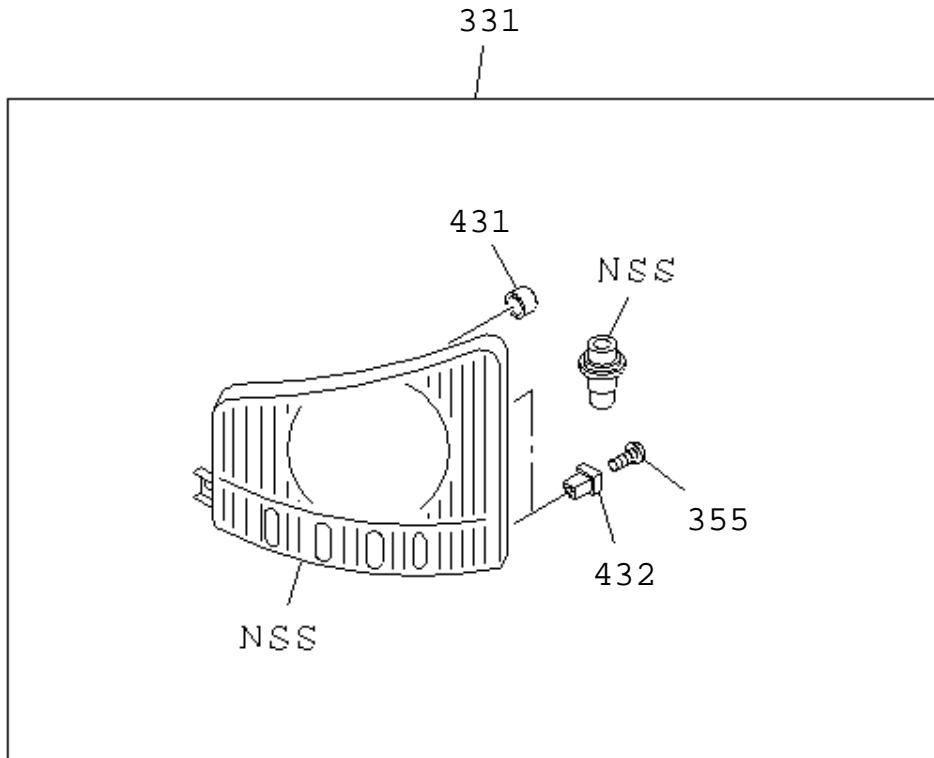


8-01 LAMP; FRONT AND FRONT SIDE
COMPONENT; HEADLAMP, TURN SIGNAL LAMP

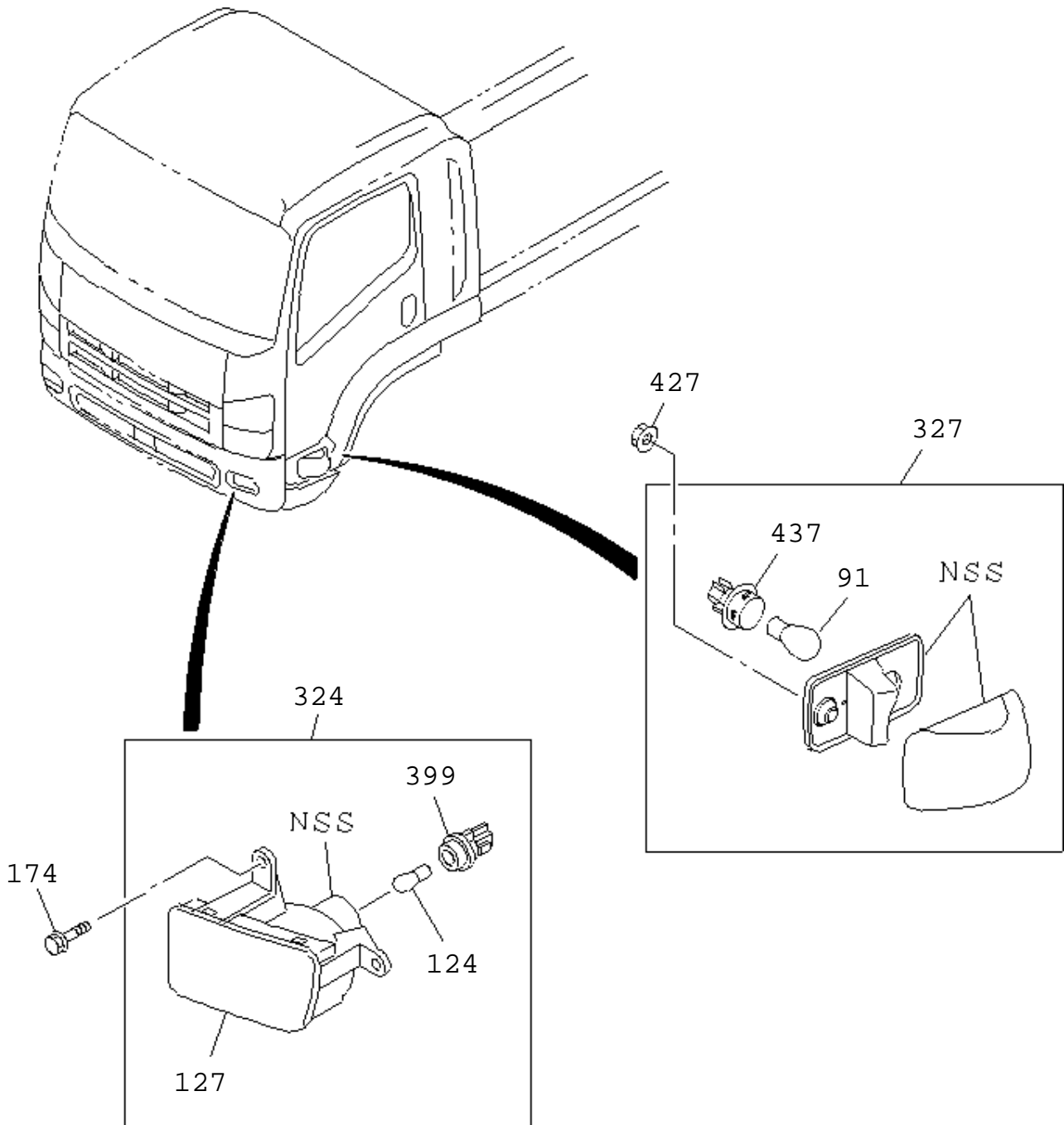
HEADLAMPS



TURN SIGNAL LAMP



8-01 LAMP; FRONT AND FRONT SIDE
FLASHER AND SIDE LAMP



KEY	R / C	PART NAME PART NUMBER	I T C	APPLIED DATE	L / R	Qty	APPLIED MODEL	RESTRICTION/REMARKS
								A FVZ WIDE CAB(FGZ5MV) B GVZ WIDE CAB(GGZ5MV)
1	B	LAMP ASM; HEAD 8-97948-524-0		1402-1403	R	01	A	VIN MODEL YEAR 2014<VZE> IDN
		8-97948-524-0		1404-	R	01	AB	VIN MODEL YEAR 2014<VZE> IDN
		8-97948-525-0		1402-1403	L	01	A	VIN MODEL YEAR 2014<VZE> IDN
		8-97948-525-0		1404-	L	01	AB	VIN MODEL YEAR 2014<VZE> IDN
		8-98241-326-0		1312-1401	L	01	A	IDN
		8-98241-326-0		1402-1403	L	01	A	EXC. VIN MODEL YEAR 2014<VZE> IDN
		8-98241-326-0		1404-	L	01	AB	EXC. VIN MODEL YEAR 2014<VZE> IDN
		8-98241-325-0		1312-1401	R	01	A	IDN
		8-98241-325-0		1402-1403	R	01	A	EXC. VIN MODEL YEAR 2014<VZE> IDN
		8-98241-325-0		1404-	R	01	AB	EXC. VIN MODEL YEAR 2014<VZE> IDN
4		HEADLAMP UNIT 8-97948-942-0		1402-1403	R	01	A	VIN MODEL YEAR 2014<VZE> IDN
		8-97948-942-0		1404-	R	01	AB	VIN MODEL YEAR 2014<VZE> IDN
		8-97948-943-0		1402-1403	L	01	A	VIN MODEL YEAR 2014<VZE> IDN
		8-97948-943-0		1404-	L	01	AB	VIN MODEL YEAR 2014<VZE> IDN
		8-98226-183-0		1312-1401	L	01	A	IDN
		8-98226-183-0		1402-1403	L	01	A	EXC. VIN MODEL YEAR 2014<VZE> IDN
		8-98226-183-0		1404-	L	01	AB	EXC. VIN MODEL YEAR 2014<VZE> IDN
		8-98226-182-0		1312-1401	R	01	A	IDN
		8-98226-182-0		1402-1403	R	01	A	EXC. VIN MODEL YEAR 2014<VZE> IDN
		8-98226-182-0		1404-	R	01	AB	EXC. VIN MODEL YEAR 2014<VZE> IDN
5	A	BULB; HEADLAMP 1-82194-042-0		1312-1403		02	A	(B) 24V 5W
		1-82194-042-0		1404-		02	AB	(B) 24V 5W
		1-82194-063-0		1312-1403		02	A	(A) 24V 75/70W IDN
		1-82194-063-0		1404-		02	AB	(A) 24V 75/70W IDN
20		SCREW; HEADLAMP 8-97378-871-0		1312-1403		06	A	IDN
		8-97378-871-0		1404-		06	AB	IDN
23		COVER; BULB, HEADLAMP 8-97232-491-0		1312-1403		02	A	IDN
		8-97232-491-0		1404-		02	AB	IDN
28		BOLT; HEADLAMP 8-98164-723-0		1312-1403		08	A	M6X23.5 W/LK&PL WASHER
		8-98164-723-0		1404-		08	AB	M6X23.5 W/LK&PL WASHER
75		SCREW; FRT COMB LAMP						

8-01

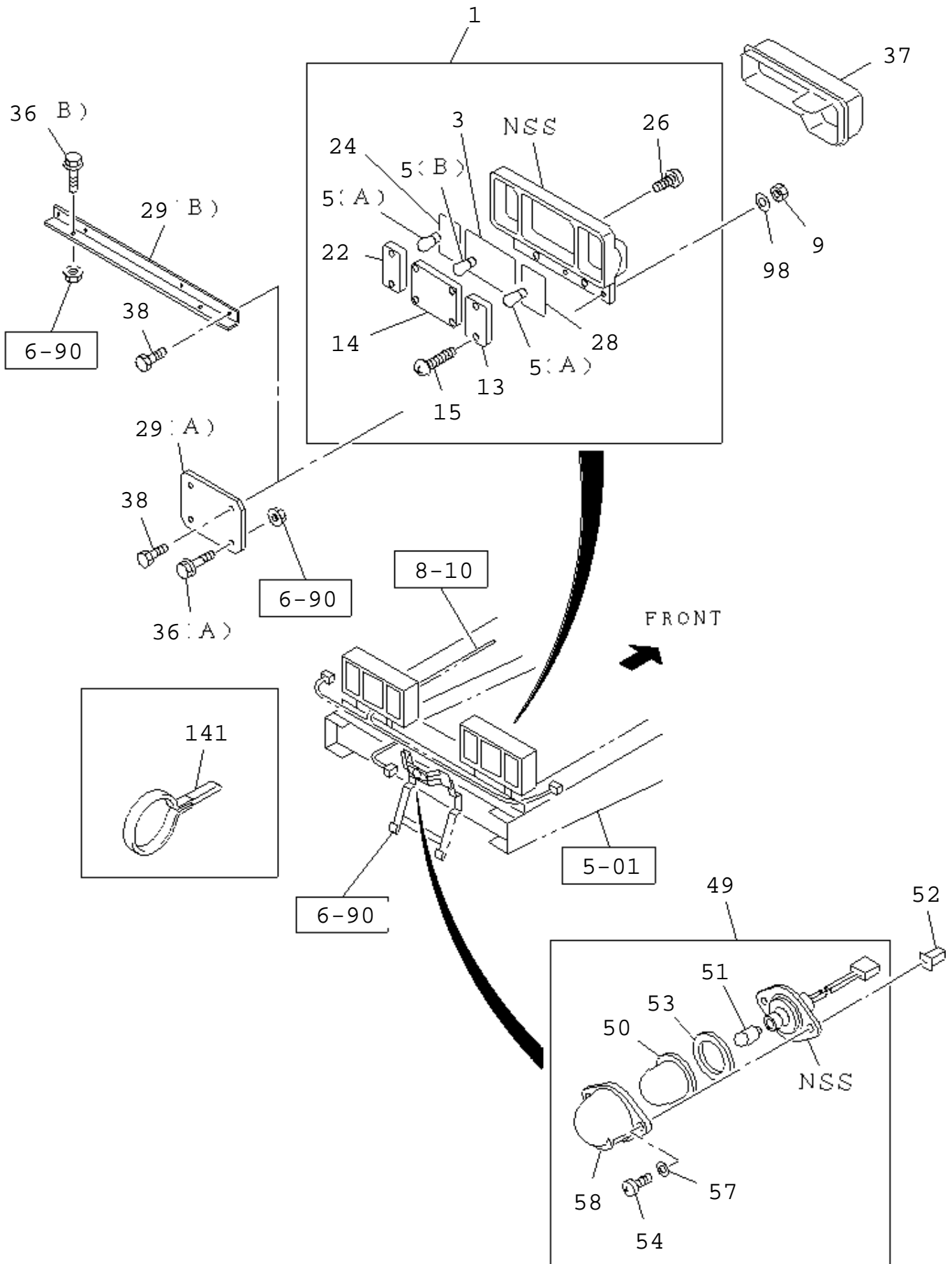
LAMP; FRONT AND FRONT SIDE

KEY	R / C	PART NAME PART NUMBER	I T C	APPLIED DATE	L / R	Qty	APPLIED MODEL	RESTRICTION/REMARKS	
								A	B
75		0-28050-612-0		1312-1403		04	A	A FVZ WIDE CAB(FGZ5MV)	B GVZ WIDE CAB(GGZ5MV)
		0-28050-612-0		1404-		04	AB	BOLT M6X12 FLANGE	
91		BULB; SIDE TURN SIGNAL 8-98051-495-0		1312-1403		02	A	BOLT M6X12 FLANGE	
		8-98051-495-0		1404-		02	AB	24V 21W IDN	
124		BULB; FRT TURN SIGNAL 1-82194-105-0		1312-1403		02	A	24V 21W IDN	
		1-82194-105-0		1404-		02	AB	24V 21W	
127	B	LENS; FRT TURN SIGNAL 1-82215-074-0		1312-1403	L	01	A	24V 21W	
		1-82215-074-0		1404-	L	01	AB	ORANGE	
		1-82215-073-0		1312-1403	R	01	A	ORANGE	
		1-82215-073-0		1404-	R	01	AB	ORANGE	
139		COVER; HEADLAMP 8-98054-342-0		1312-1403		02	A	ORANGE	
		8-98054-342-0		1404-		02	AB		
174		BOLT 8-97360-226-0		1312-1403		04	A	M6X19.5 W/LK&PL WASHER IDN	
		8-97360-226-0		1404-		04	AB	M6X19.5 W/LK&PL WASHER IDN	
272		BRACKET; FRT COMB LAMP 8-98178-034-1		1312-1403	L	01	A	IDN	
		8-98178-034-1		1404-	L	01	AB	IDN	
		8-98178-033-1		1312-1403	R	01	A	IDN	
		8-98178-033-1		1404-	R	01	AB	IDN	
324	B	LAMP; FRT FLASHER 1-82210-260-1		1312-1403	L	01	A		
		1-82210-260-1		1404-	L	01	AB		
		1-82210-259-1		1312-1403	R	01	A		
		1-82210-259-1		1404-	R	01	AB		
327	B	LAMP ASM; SIDE TURN SIGNAL 8-97410-181-3		1312-1403	L	01	A	IDN	
		8-97410-181-3		1404-	L	01	AB	IDN	
		8-97410-180-4		1312-1403	R	01	A	IDN	
		8-97410-180-4		1404-	R	01	AB	IDN	
331		LAMP; TURN SIGNAL 8-98181-879-0		1312-1403	L	01	A		
		8-98181-879-0		1404-	L	01	AB		
		8-98181-878-0		1312-1403	R	01	A		
		8-98181-878-0		1404-	R	01	AB		
355		SCREW; TURN SIGNAL 8-98051-428-0		1312-1403		04	A	IDN	
		8-98051-428-0		1404-		04	AB	IDN	
382		PLUG; SOCKET, HEADLAMP 8-98225-685-0		1312-1403		02	A	IDN	

8-01

LAMP; FRONT AND FRONT SIDE

KEY	R / C	PART NAME PART NUMBER	I T C	APPLIED DATE	L / R	Qty	APPLIED MODEL	RESTRICTION/REMARKS
								A FVZ WIDE CAB(FGZ5MV) B GVZ WIDE CAB(GGZ5MV)
382		8-98225-685-0		1404-		02	AB	IDN
399		SOCKET; TURN SIGNAL 1-82219-038-0		1312-1403		02	A	
		1-82219-038-0		1404-		02	AB	
408		CAP; BREATHER, HEADLAMP 8-97378-874-0		1312-1403		02	A	IDN
		8-97378-874-0		1404-		02	AB	IDN
420		SPRING; BULB, HEADLAMP 8-98218-601-0		1312-1403		02	A	IDN
		8-98218-601-0		1404-		02	AB	IDN
427		NUT; TURN SIGNAL LAMP 0-91180-106-0		1312-1403		04	A	M6 FLANGE
		0-91180-106-0		1404-		04	AB	M6 FLANGE
431		CAP; TURN SIGNAL, LAMP 8-97378-874-0		1312-1403		02	A	IDN
		8-97378-874-0		1404-		02	AB	IDN
432		FASTENER; TURN SIGNAL, LAMP 8-98051-431-0		1312-1403		04	A	IDN
		8-98051-431-0		1404-		04	AB	IDN
437		SOCKET; SIDE, TURN 8-98051-390-0		1312-1403		02	A	IDN
		8-98051-390-0		1404-		02	AB	IDN
457		GRIP; HEADLAMP 8-98241-354-0		1312-1403		02	A	IDN
		8-98241-354-0		1404-		02	AB	IDN
5-01		Move to 5-01						
6-01		Move to 6-01						
6-70		Move to 6-70						



8-03

LAMP; REAR AND REAR SIDE

KEY	R / C	PART NAME PART NUMBER	I T C	APPLIED DATE	L / R	Qty	APPLIED MODEL	RESTRICTION/REMARKS	
								A	B
1	B	LAMP ASM; RR COMB 8-98034-325-0		1312-1403	L	01	A		
		8-98034-325-0		1404-	L	01	AB	IDN	
		8-98034-324-0		1312-1403	R	01	A	IDN	
		8-98034-324-0		1404-	R	01	AB	IDN	
3		GASKET; RR COMB LAMP 8-94257-505-0		1312-1403		01	A	IDN	
		8-94257-505-0		1312-1403		01	A	IDN	
		8-94257-505-0		1404-		01	AB	IDN	
		8-94257-505-0		1404-		01	AB	IDN	
5		BULB; RR COMB LAMP 1-82194-108-0		1312-1403		02	A	(A) 24V 21W IDN	
		1-82194-108-0		1312-1403		02	A	(A) 24V 21W IDN	
		1-82194-108-0		1404-		02	AB	(A) 24V 21W IDN	
		1-82194-108-0		1404-		02	AB	(A) 24V 21W IDN	
		1-82194-109-0		1312-1403		01	A	(B) 24V 21/5W IDN	
		1-82194-109-0		1312-1403		01	A	(B) 24V 21/5W IDN	
		1-82194-109-0		1404-		01	AB	(B) 24V 21/5W IDN	
		1-82194-109-0		1404-		01	AB	(B) 24V 21/5W IDN	
9		NUT; LAMP,RR COMB 0-91110-506-0		1312-1403		04	A	M6	
		0-91110-506-0		1404-		04	AB	M6	
13	B	LENS; TURN SIGNAL 8-94174-639-0		1312-1403	L	01	A	IDN	
		8-94174-639-0		1404-	L	01	AB	IDN	
		8-94174-638-0		1312-1403	R	01	A	IDN	
		8-94174-638-0		1404-	R	01	AB	IDN	
14	B	LENS; TAIL & STOP,RR COMB LAMP 8-94178-625-0		1312-1403	L	01	A	IDN	
		8-94178-625-0		1404-	L	01	AB	IDN	
		8-94178-624-0		1312-1403	R	01	A	IDN	
		8-94178-624-0		1404-	R	01	AB	IDN	

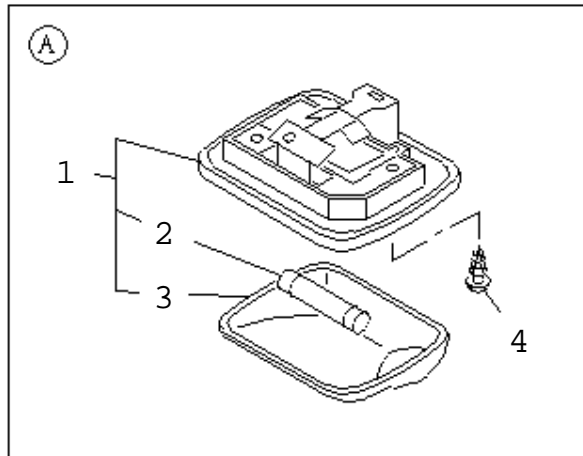
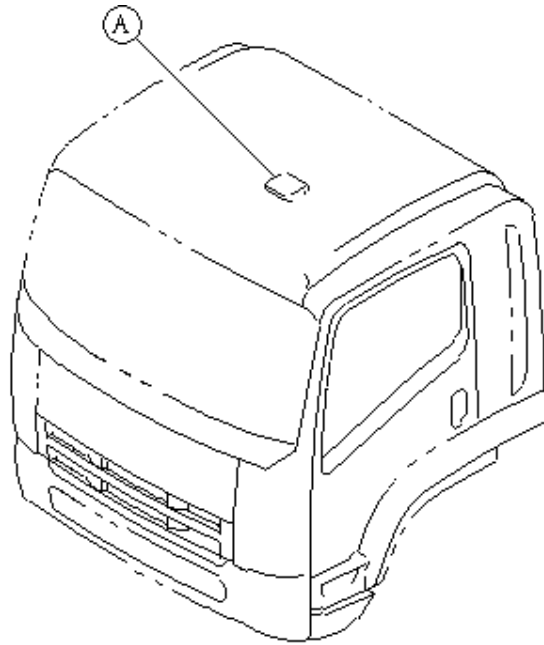
8-03

LAMP; REAR AND REAR SIDE

KEY	R / C	PART NAME PART NUMBER	I T C	APPLIED DATE	L / R	Qty	APPLIED MODEL	RESTRICTION/REMARKS	
								A	B
15		SCREW; RR COMB LAMP 0-71190-420-0		1312-1403		08	A	A	FXZ WIDE CAB(FGZ5MV)
		0-71190-420-0		1312-1403		08	A	B	GVZ WIDE CAB(GGZ5MV)
		0-71190-420-0		1404-		08	AB		
		0-71190-420-0		1404-		08	AB		
22	B	LENS; BACKUP,RR COMB LAMP 8-94257-512-1		1312-1403		01	A		
		8-94257-512-1		1312-1403		01	A		
		8-94257-512-1		1404-		01	AB		
		8-94257-512-1		1404-		01	AB		
24		GASKET; BACK,LAMP 8-94257-506-0		1312-1403		01	A		
		8-94257-506-0		1312-1403		01	A		
		8-94257-506-0		1404-		01	AB		
		8-94257-506-0		1404-		01	AB		
26		SCREW; BACK HORN 9-07076-414-0		1312-1403	L	01	A		
		9-07076-414-0		1404-	L	01	AB		
		9-07076-412-0		1312-1403	R	01	A		
		9-07076-412-0		1404-	R	01	AB		
28		GASKET; TURN,LAMP 8-94257-507-0		1312-1403		01	A		
		8-94257-507-0		1312-1403		01	A		
		8-94257-507-0		1404-		01	AB		
		8-94257-507-0		1404-		01	AB		
29		BRACKET; LAMP,RR COMB 1-53178-016-1		1404-		01	B		
		1-82237-050-1		1312-		02	A		
36		BOLT; BRKT,RR COMB 0-28651-030-0		1404-		02	B		
		0-28650-825-0		1312-		02	A		
37		COVER; RR COMB LAMP 8-94129-274-4		1312-1403	L	01	A		
		8-94129-274-4		1404-	L	01	AB		
		8-94128-858-4		1312-1403	R	01	A		

LAMP; REAR AND REAR SIDE

KEY	R / C	PART NAME PART NUMBER	I T C	APPLIED DATE	L / R	Qty	APPLIED MODEL	RESTRICTION/REMARKS
								A FVZ WIDE CAB(FGZ5MV) B GVZ WIDE CAB(GGZ5MV)
37		8-94128-858-4		1404-	R	01	AB	IDN
38		BOLT; LAMP,RR COMB 0-50640-630-0		1312-1403		04	A	M6X30 W/LK&PL WASHER
		0-50640-630-0		1404-		04	AB	M6X30 W/LK&PL WASHER
49		LAMP; LICENSE PLATE 1-82120-024-1		1312-1403		01	A	24V 10W
		1-82120-024-1		1404-		01	AB	24V 10W
50		LENS; LICENSE PLATE LAMP 1-82235-006-0		1312-1403		01	A	
		1-82235-006-0		1404-		01	AB	
51		BULB; LICENSE PLATE LAMP 1-82194-037-0		1312-1403		01	A	24V 10W IDN
		1-82194-037-0		1404-		01	AB	24V 10W IDN
52		GROMMET; SCREW,LICENSE PLATE LAMP 8-94275-946-0		1312-1403		02	A	D=7.8X7.8 L=18 M5 BLACK
		8-94275-946-0		1404-		02	AB	D=7.8X7.8 L=18 M5 BLACK
53		GASKET; LICENSE LAMP 1-82126-005-0		1312-1403		01	A	
		1-82126-005-0		1404-		01	AB	
54		SCREW; LICENSE PLATE LAMP 1-82129-007-0		1312-1403		02	A	M5X20
		1-82129-007-0		1404-		02	AB	M5X20
57		WASHER; PL,LICENSE PLATE LAMP 1-82129-008-0		1312-1403		02	A	
		1-82129-008-0		1404-		02	AB	
58		COVER; LICENSE PLATE LAMP 1-82129-005-0		1312-1403		01	A	
		1-82129-005-0		1404-		01	AB	
98		WASHER 0-91610-706-0		1312-1403		04	A	ID=6.4 OD=18
		0-91610-706-0		1404-		04	AB	ID=6.4 OD=18
141		CLIP; LICENSE & BODY HARNESS 9-09917-427-0		1312-1403		03	A	ID=14 L=44
		9-09917-427-0		1404-		03	AB	ID=14 L=44
5-01		Move to 5-01						
6-90		Move to 6-90						
8-10		Move to 8-10						

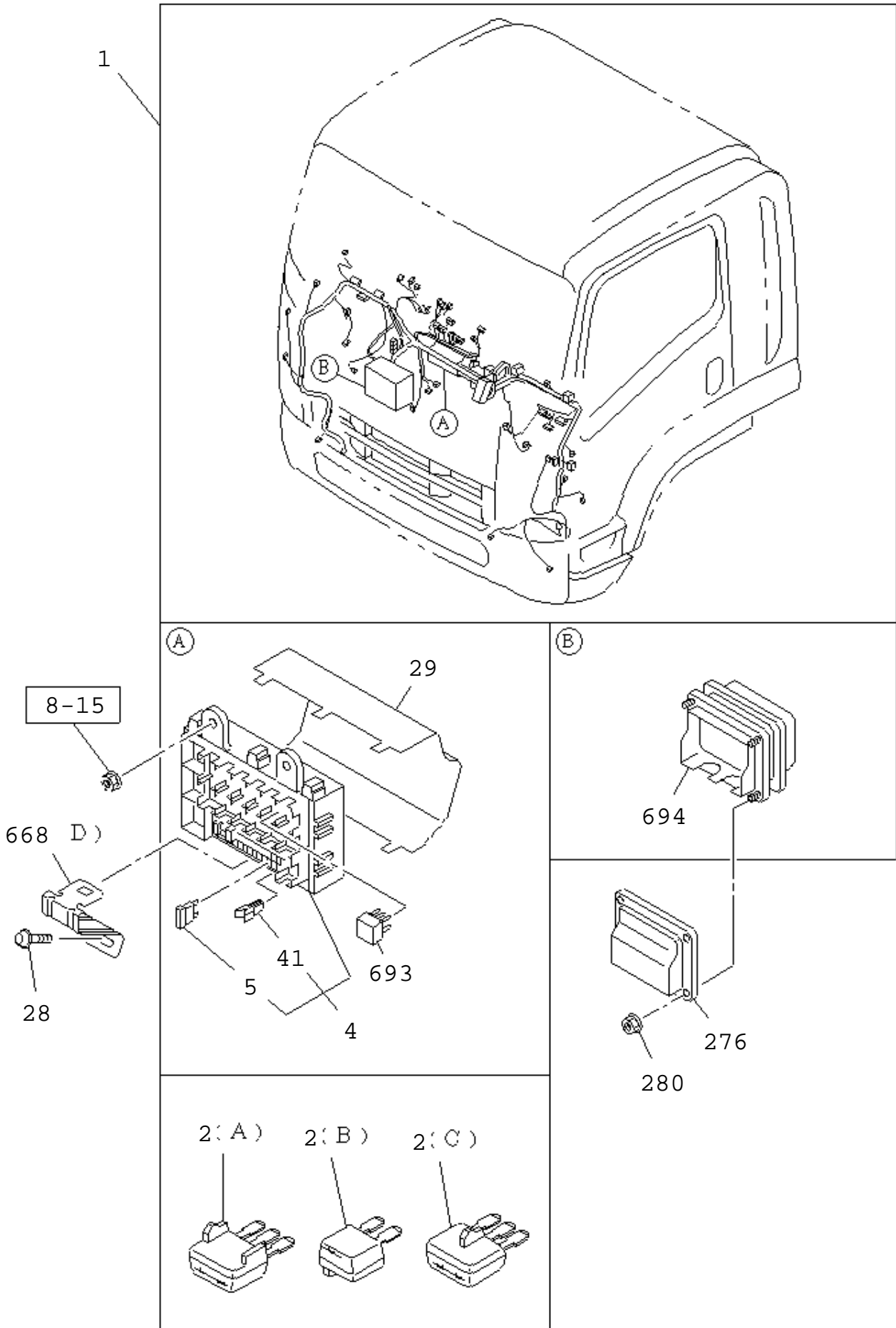


8-05

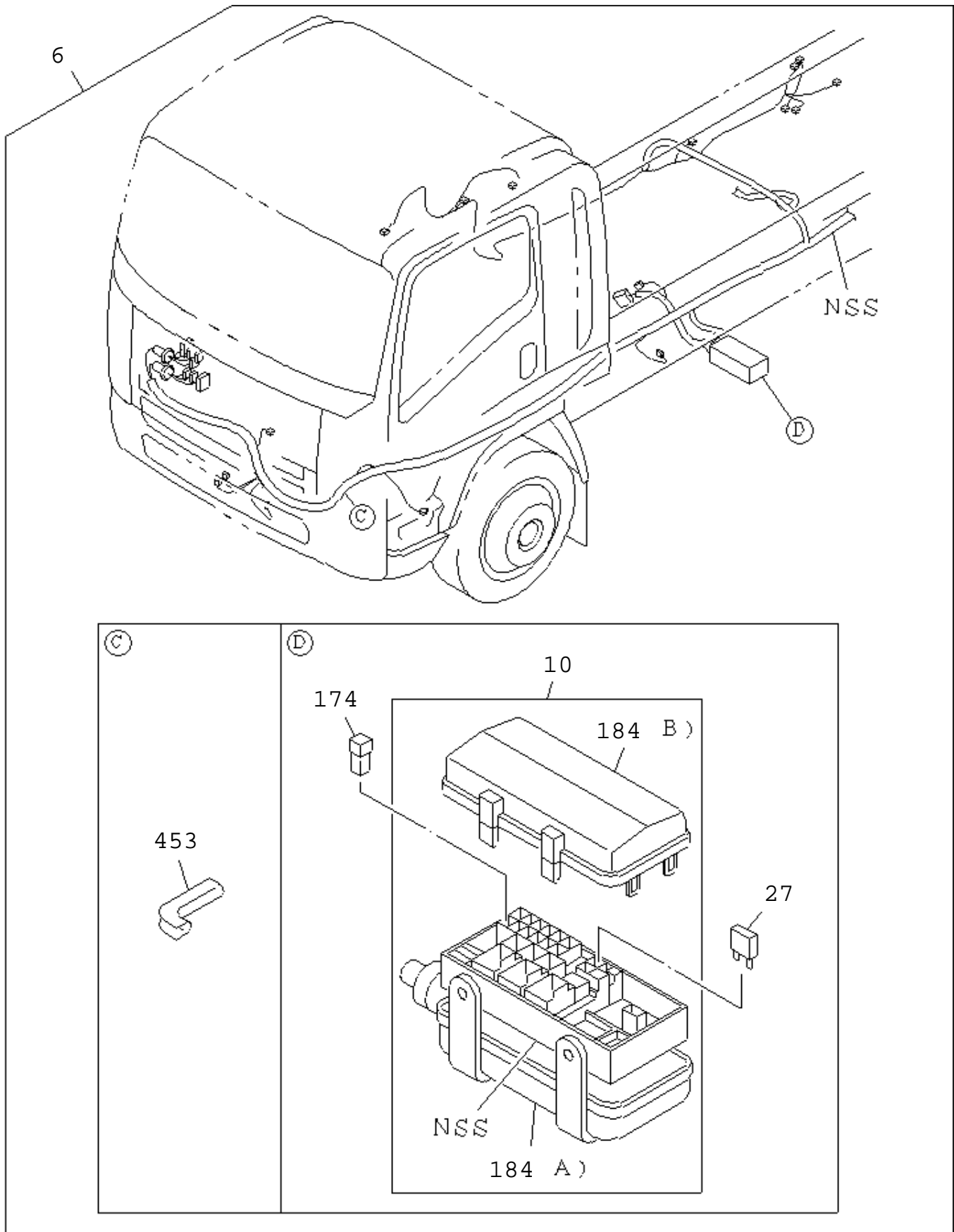
INTERIOR LAMP

KEY	R / C	PART NAME PART NUMBER	I T C	APPLIED DATE	Qty	APPLIED MODEL	RESTRICTION/REMARKS
							A FVZ WIDE CAB(FGZ5MV) B GVZ WIDE CAB(GGZ5MV)
1		LAMP ASM; ROOM 8-97925-149-0		1312-1403	01	A	
		8-97925-149-0		1404-	01	AB	IDN
2		BULB; ROOM LAMP 8-97925-613-0		1312-1403	01	A	IDN
		8-97925-613-0		1404-	01	AB	24V 10W IDN
3		LENS; ROOM LAMP 8-97925-612-0		1312-1403	01	A	24V 10W IDN
		8-97925-612-0		1404-	01	AB	IDN
4		SCREW; ROOM LAMP 8-98075-766-0		1312-1403	02	A	IDN
		8-98075-766-0		1404-	02	AB	M5X14 W/WASHER IDN
							M5X14 W/WASHER IDN

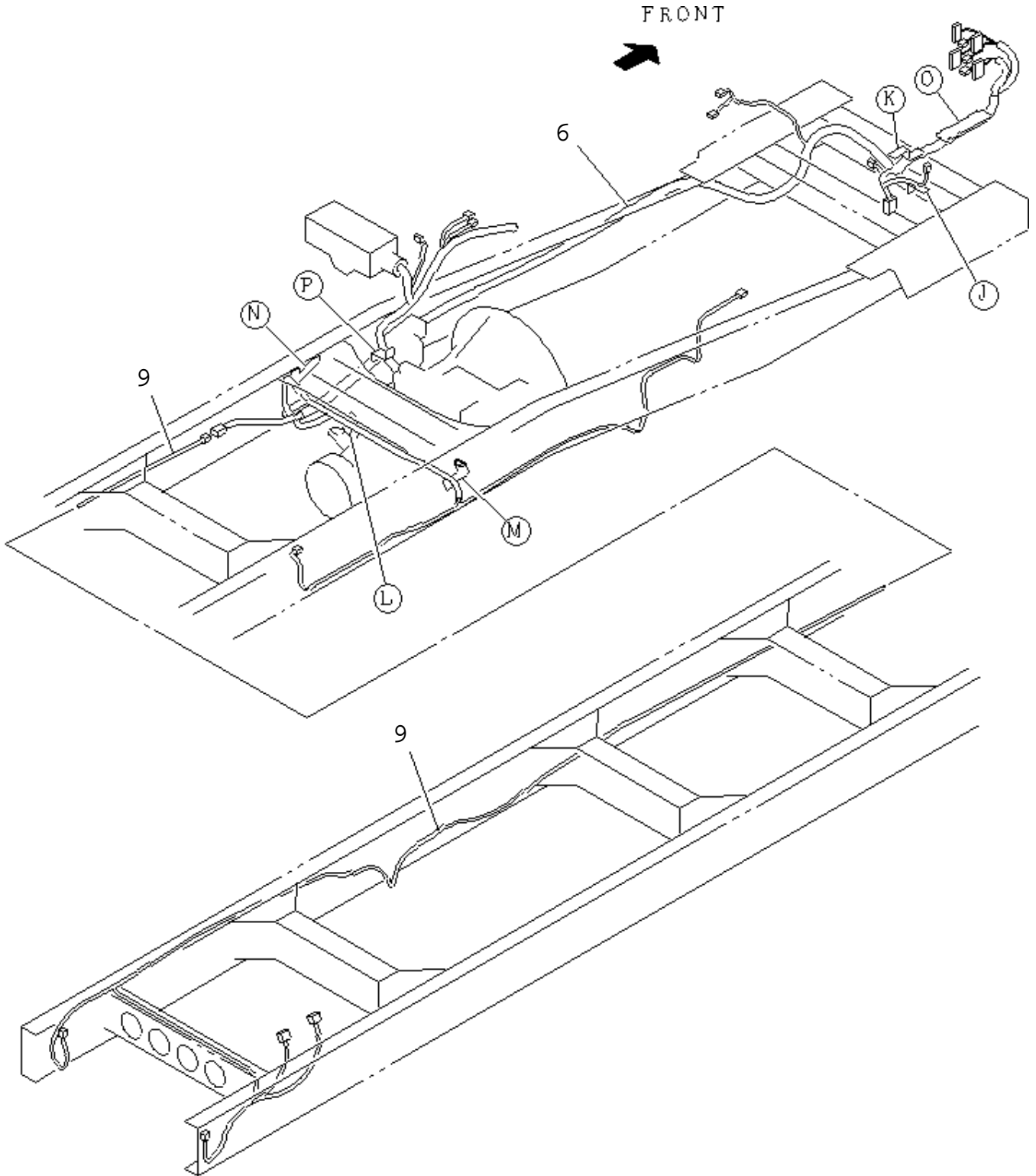
8-10 WIRING HARNESS AND FUSE
CAB HARNESS



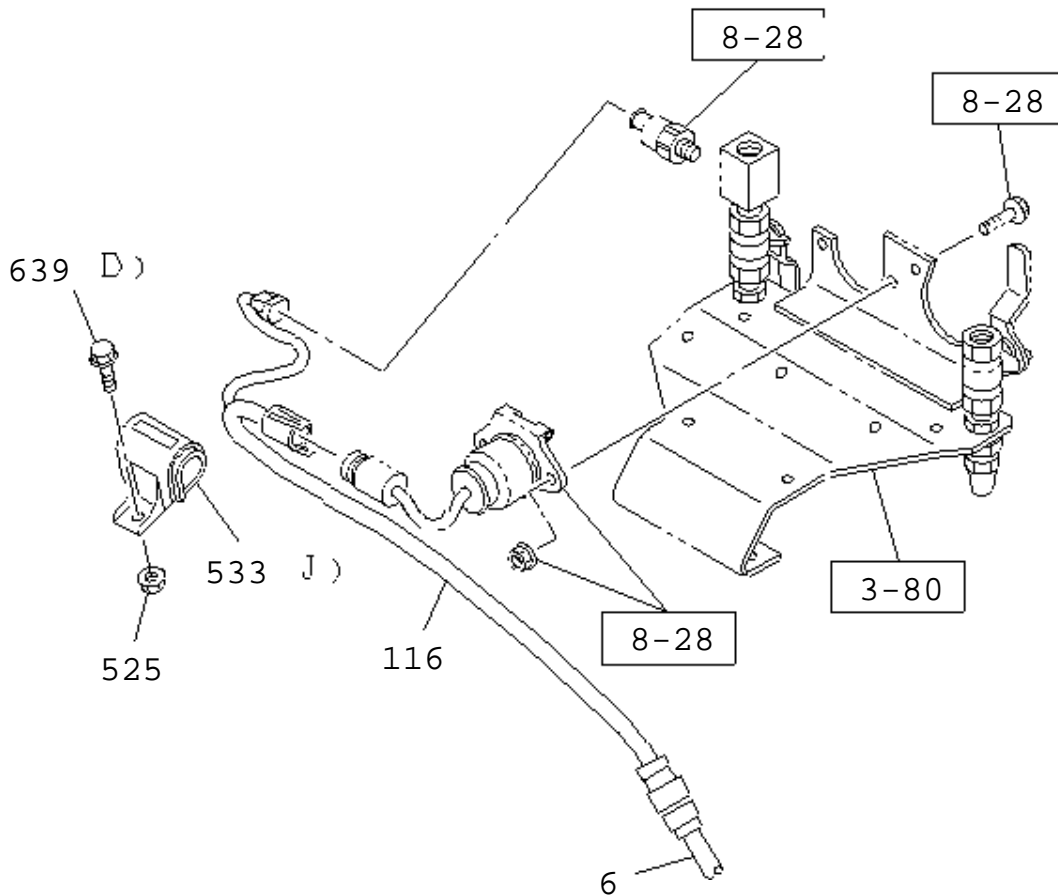
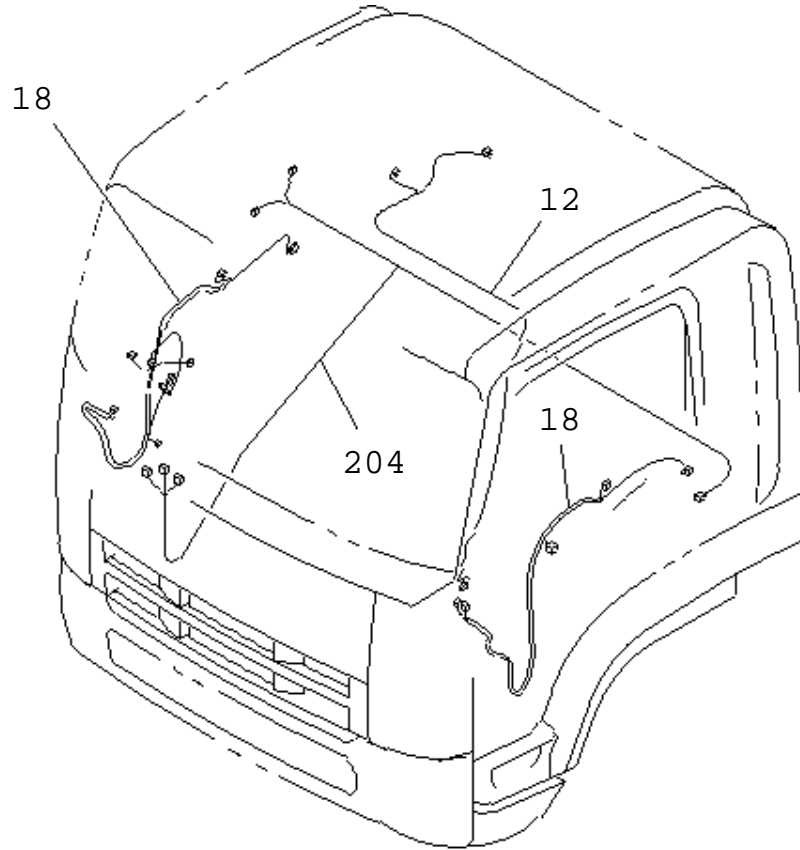
8-10 WIRING HARNESS AND FUSE
FRAME HARNESS NO.1



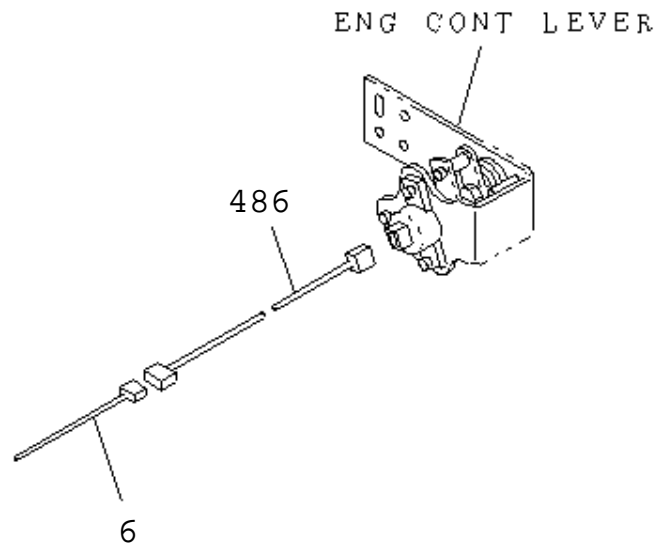
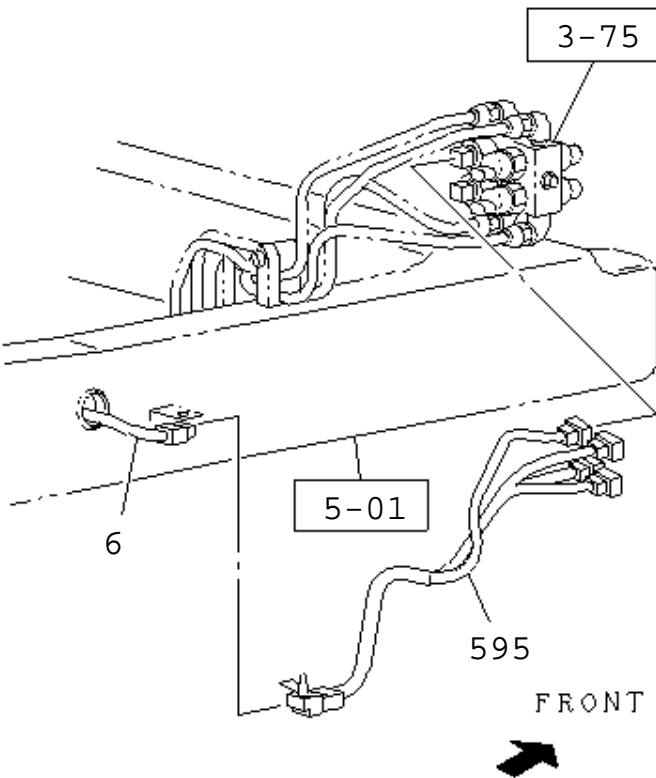
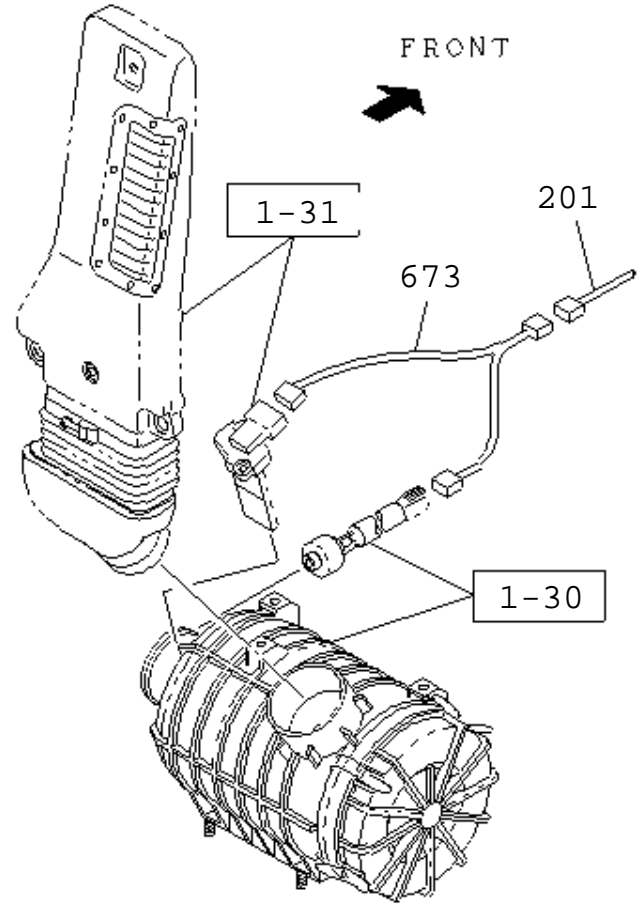
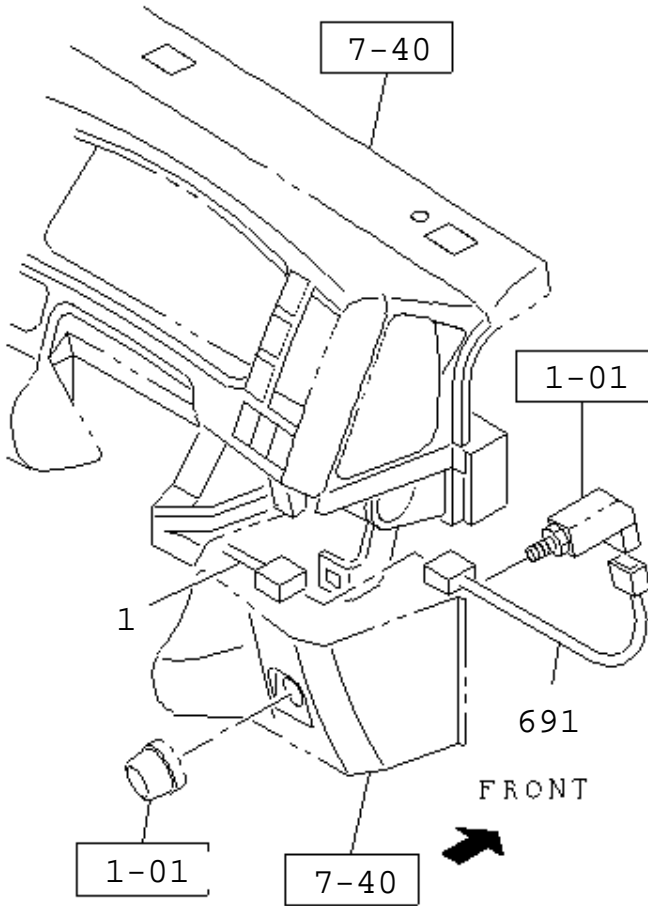
8-10 WIRING HARNESS AND FUSE
FRAME HARNESS NO.2



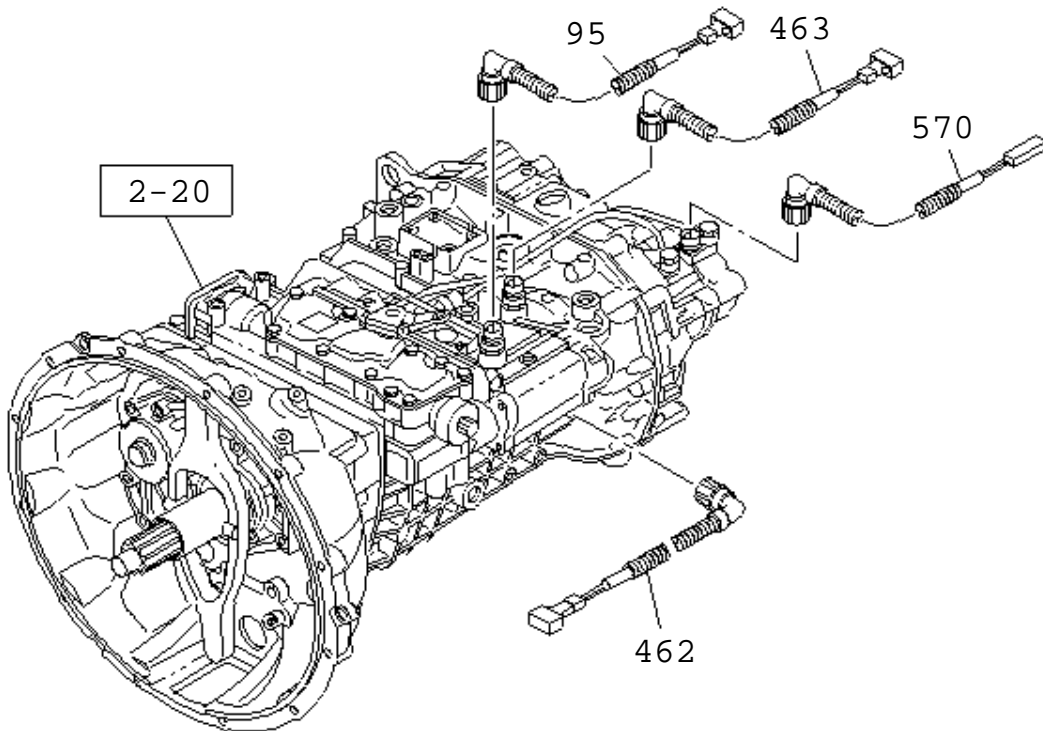
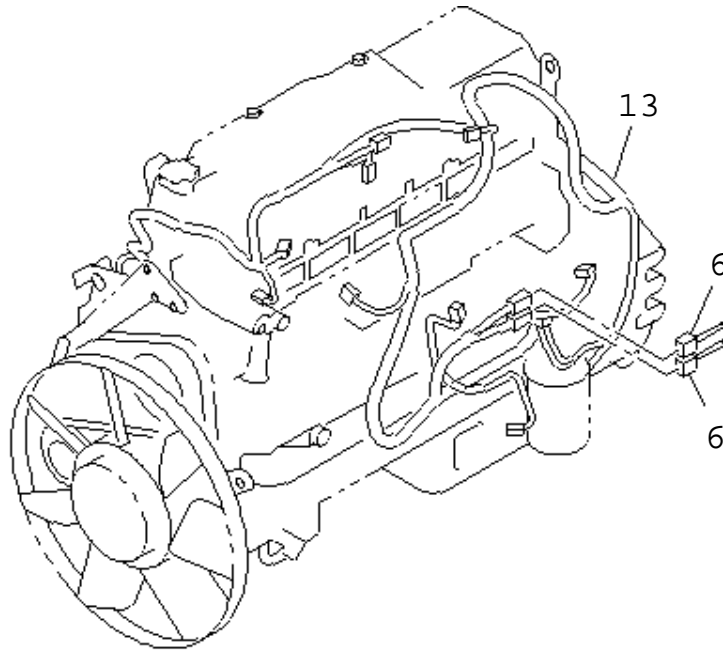
8-10 WIRING HARNESS AND FUSE
OTHER HARNESS NO.1



8-10 WIRING HARNESS AND FUSE
OTHER HARNESS NO.2

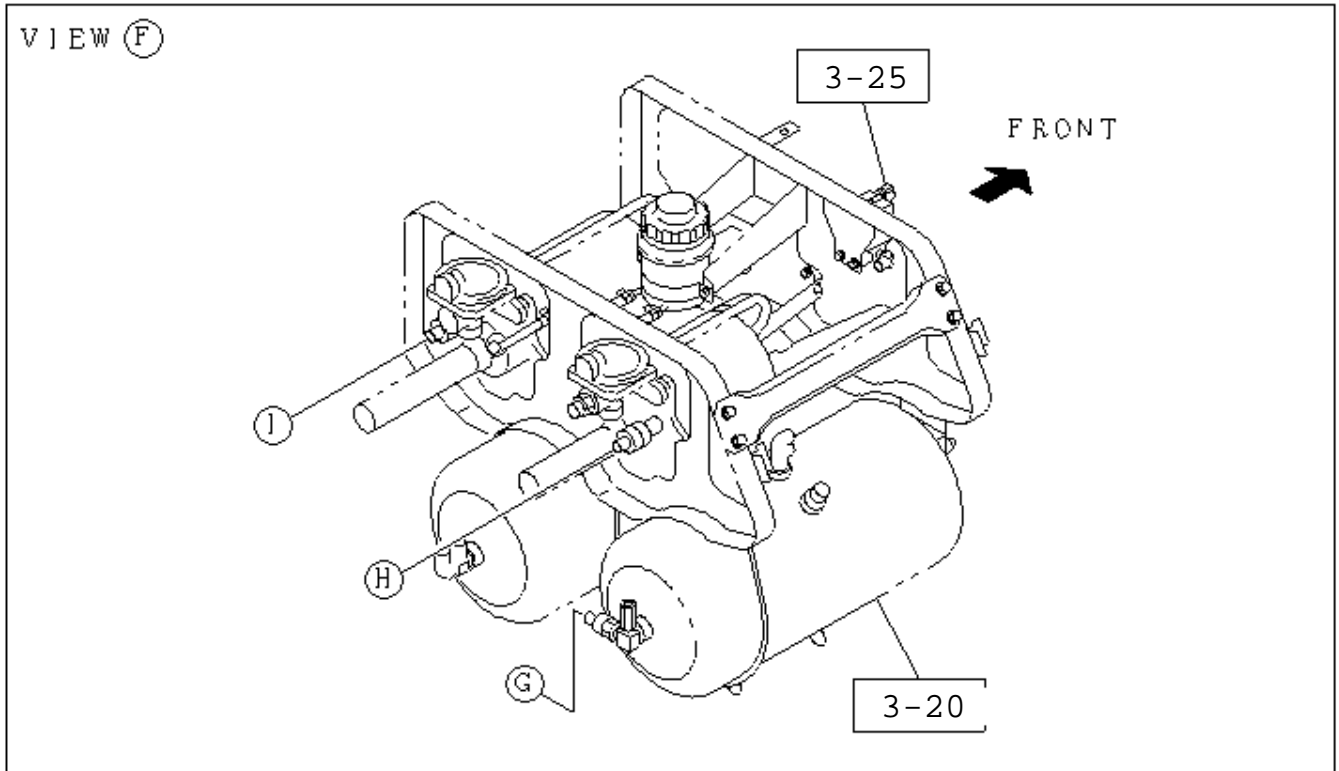
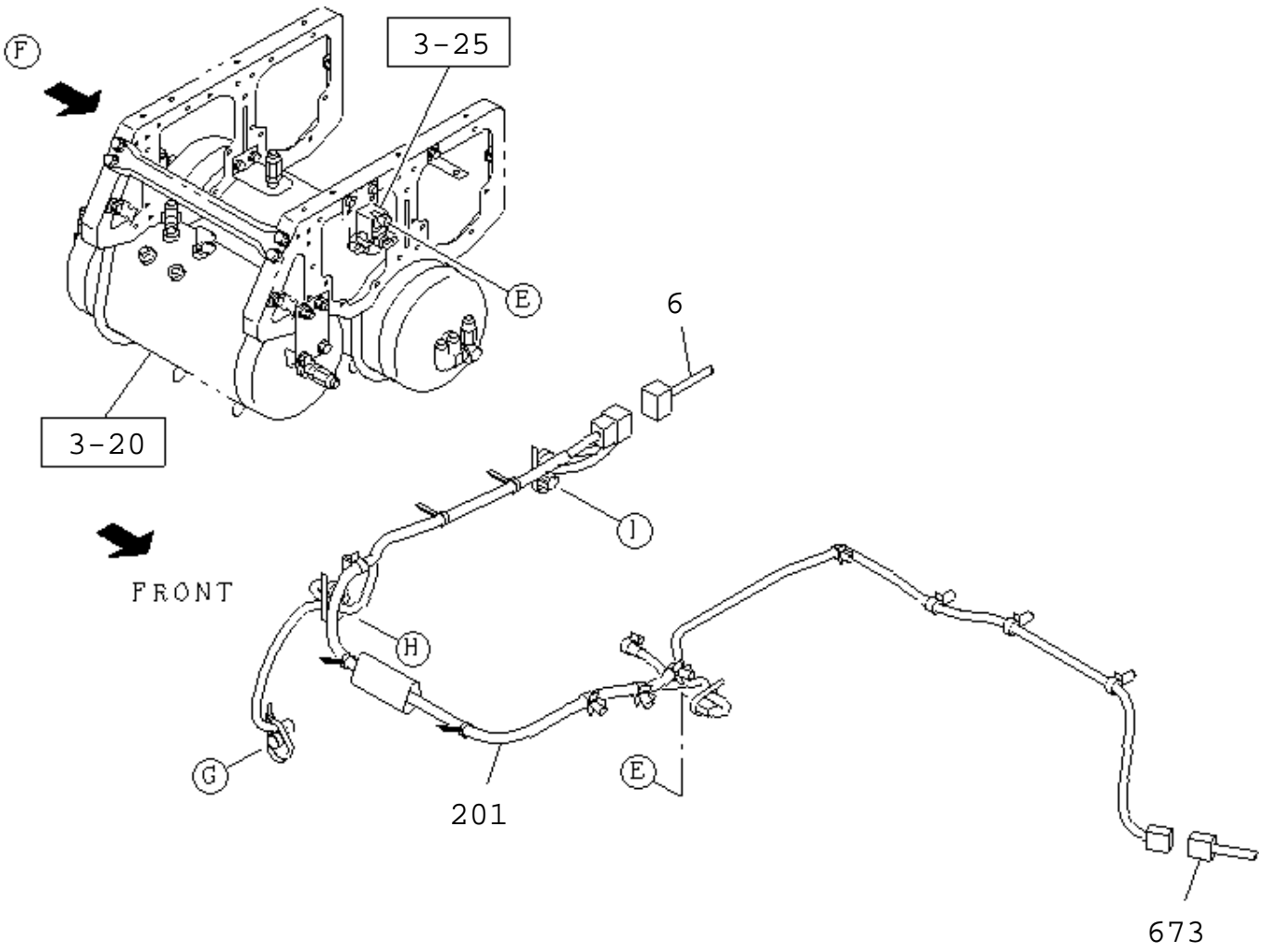


8-10 WIRING HARNESS AND FUSE
ENGINE AND TRANSMISSION SIDE

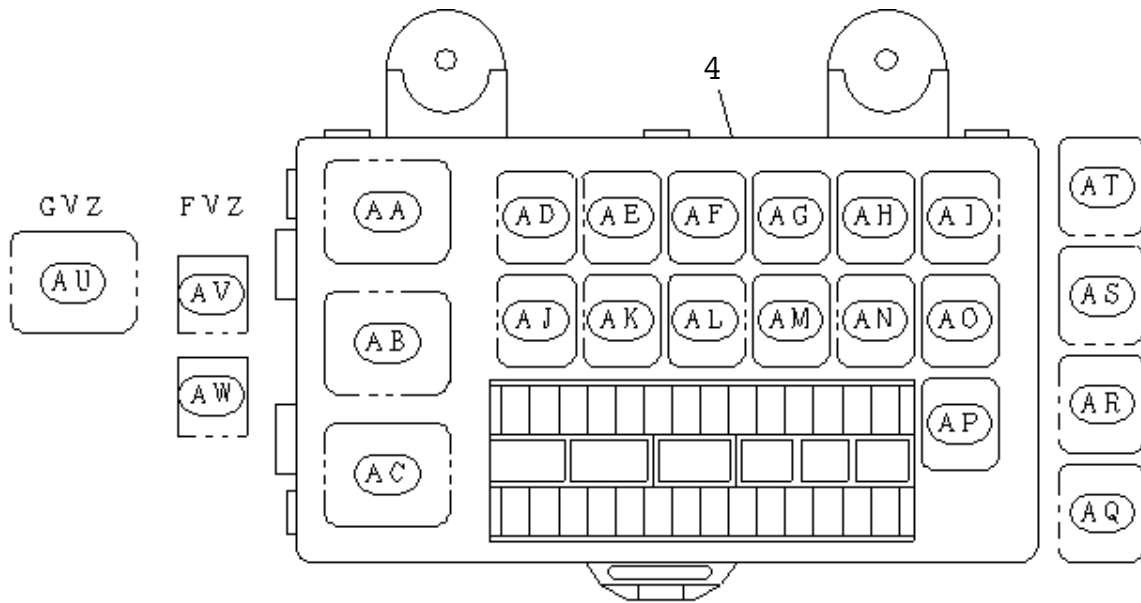


8-10 WIRING HARNESS AND FUSE

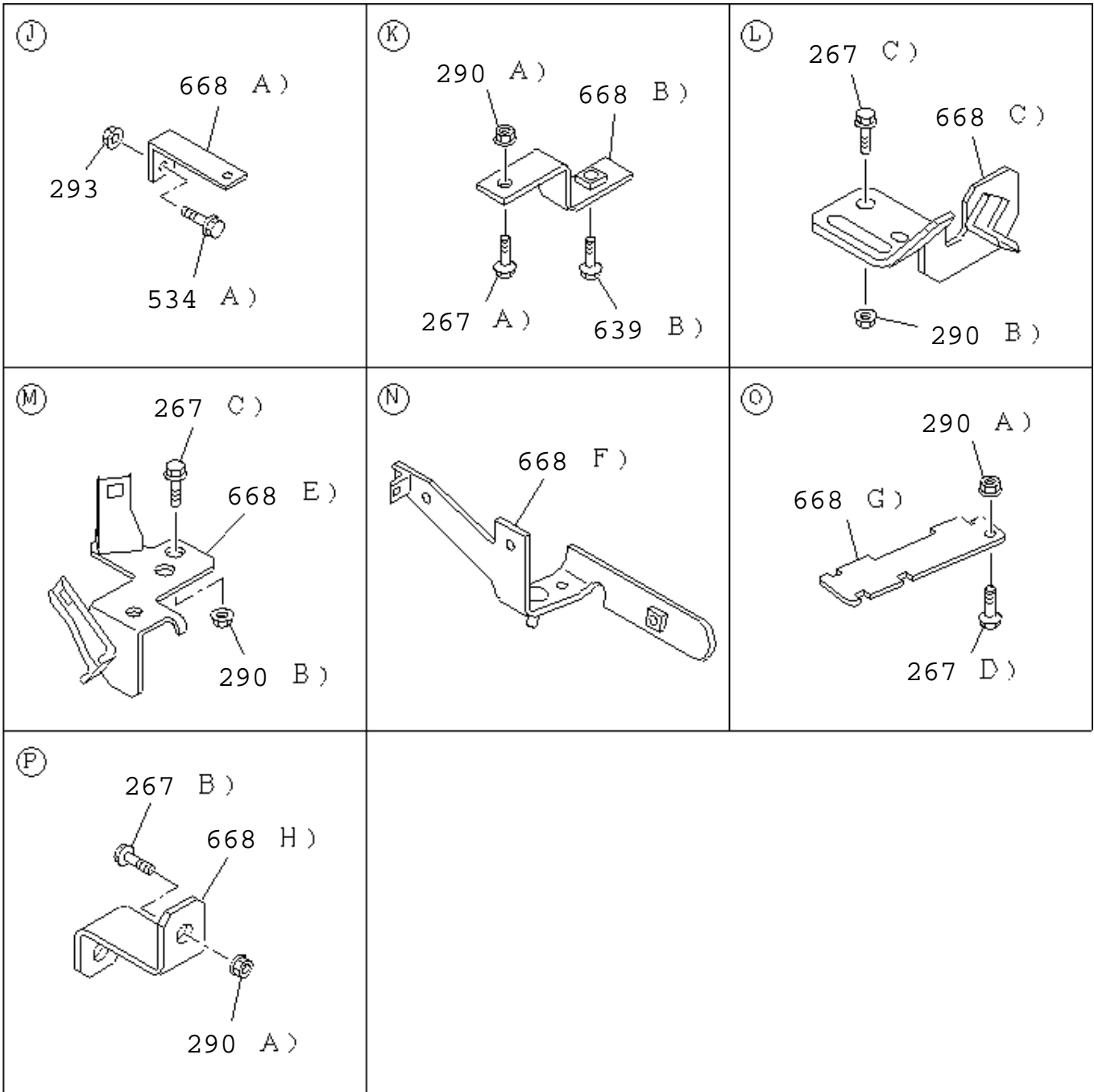
AIR TANK SIDE



8-10 WIRING HARNESS AND FUSE
RELAY; CAB HARNESS

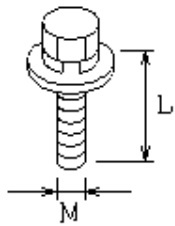


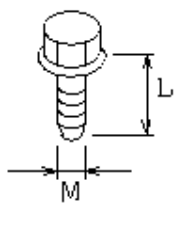
	KEY NO.	RELAY NAME		KEY NO.	RELAY NAME
(AA)	8-28	STOP LAMP	(AM)	693	HEAD LAMP (LOW)
(AB)	8-25	BLOWER MOTOR, HEATER	(AN)	—	—
(AC)	8-25	KEY ON	(AO)	693	HEAD LAMP (HI)
(AD)	—	—	(AP)	693	TAIL
(AE)	—	—	(AQ)	8-25	PTO MAIN
(AF)	693	WIPER MAIN	(AR)	8-25	PTO CUT
(AG)	693	HORN	(AS)	8-25	ACC MAIN
(AH)	693	WIPER (HI/LOW)	(AT)	8-25	IGNITION
(AJ)	—	—	(AU)	8-28	TRAILER STOP
(AJ)	—	—	(AV)	8-28	BRAKE LOCK
(AK)	—	—	(AW)	8-28	BRAKE LOCK
(AL)	—	—			

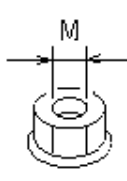


8-10 WIRING HARNESS AND FUSE

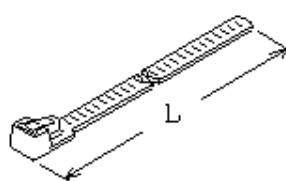
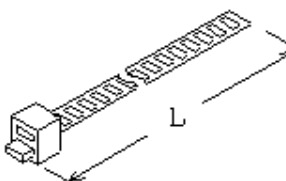
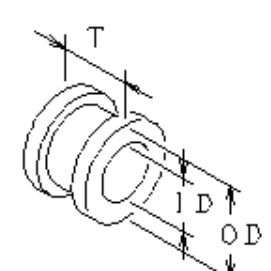
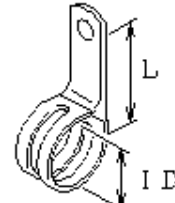
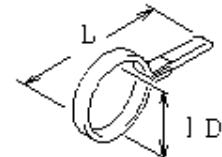
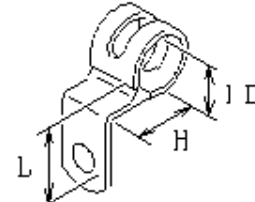

BOLT AND NUT

SIZE		KEY NO.
BOLT: LK&PL W/WASHER		
		
M	L	
8	35	534 B)

SIZE		KEY NO.
BOLT: W/FLANGE		
		
M	L	
8	20	267 D)
		639 A)
	25	267 A)
		639 B)
	30	534 A)
		639 C)
35	267 B)	
10	25	267 C)

SIZE		KEY NO.
NUT: W/FLANGE		
		
M		
8	290 A)	
	293	
	525	
	640	
10	290 B)	

8-10 WIRING HARNESS AND FUSE
CLIP AND GROMMET

SIZE		KEY NO.		SIZE		KEY NO.		SIZE		KEY NO.							
																	
L=250		533 F)		L=350		533 D)											
				L=600		533 E)											
								ID		OD		T					
ID		L		ID		L		28		35		17		542 A)			
32		50		533 K)		11		41		533 M)		25		542 B)			
35		50		533 C)		15		65		533 H)				548			
								ID		L				ID			
ID		H		L		OD		H				5-12		26		533 G)	
27.5		23		24		533 A)		9		17.5		533 I)					
31.5		23		25		533 L)											
34.5		23		27.5		533 B)											

8-10

WIRING HARNESS AND FUSE

KEY	R / C	PART NAME PART NUMBER	I T C	APPLIED DATE	L / R	Qty	APPLIED MODEL	RESTRICTION/REMARKS
								A FVZ WIDE CAB(FGZ5MV) B GVZ WIDE CAB(GGZ5MV)
1		HARNESS; CAB 8-98268-555-0		1402-		01	A	FULLER ES11109 DD M/T(Y5N) VENTILATOR & DEFROSTER WO/HEATER<SAZ> VIN MODEL YEAR 2014<VZE> EXC. PARKING BRAKE - BRAKE LOCK(6LL) IDN
		8-98268-556-0		1402-		01	A	ZF9S1110 DD M/T(Y5P) VENTILATOR & DEFROSTER WO/HEATER<SAZ> VIN MODEL YEAR 2014<VZE> EXC. PARKING BRAKE - BRAKE LOCK(6LL) IDN
		8-98268-557-1		1402-		01	A	ZF9S1110 DD M/T(Y5P) PARKING BRAKE - BRAKE LOCK(6LL) VENTILATOR & DEFROSTER WO/HEATER<SAZ> VIN MODEL YEAR 2014<VZE> IDN
		8-98250-443-1		1402-		01	A	ZF9S1110 DD M/T(Y5P) PARKING BRAKE - BRAKE LOCK(6LL) VENTILATOR & DEFROSTER WO/HEATER<SAZ> EXC. VIN MODEL YEAR 2014<VZE> IDN
		8-98268-558-0		1404-		01	B	FULLER ES11109 DD M/T(Y5N) VENTILATOR & DEFROSTER WO/HEATER<SAZ> VIN MODEL YEAR 2014<VZE> IDN
		8-98250-444-0		1404-		01	B	FULLER ES11109 DD M/T(Y5N) VENTILATOR & DEFROSTER WO/HEATER<SAZ> EXC. VIN MODEL YEAR 2014<VZE> IDN
		8-98246-463-0		1312-1401		01	A	FULLER ES11109 DD M/T(Y5N) VENTILATOR & DEFROSTER WO/HEATER<SAZ> IDN
		8-98246-463-0		1402-		01	A	FULLER ES11109 DD M/T(Y5N) VENTILATOR & DEFROSTER WO/HEATER<SAZ> EXC. VIN MODEL YEAR 2014<VZE>,PARKING BRA E LOCK(6LL) IDN
		8-98246-464-1		1312-1401		01	A	ZF9S1110 DD M/T(Y5P) VENTILATOR & DEFROSTER WO/HEATER<SAZ> IDN
		8-98246-464-1		1402-		01	A	ZF9S1110 DD M/T(Y5P) VENTILATOR & DEFROSTER WO/HEATER<SAZ> EXC. VIN MODEL YEAR 2014<VZE>,PARKING BRA E LOCK(6LL) IDN
2		DIODE; CABLE HARNESS 8-94416-438-1		1312-1403		AR	A	VENTILATOR & DEFROSTER WO/HEATER<SAZ> (A) BLACK 3P-1.5A IDN
		8-94416-438-1		1404-		AR	AB	VENTILATOR & DEFROSTER WO/HEATER<SAZ> (A) BLACK 3P-1.5A IDN
		8-94422-639-1		1312-1403		AR	A	VENTILATOR & DEFROSTER WO/HEATER<SAZ> (B) BLACK 2P-1.5A IDN
		8-94422-639-1		1404-		AR	AB	VENTILATOR & DEFROSTER WO/HEATER<SAZ> (B) BLACK 2P-1.5A IDN
		8-94422-640-1		1312-1403		AR	A	VENTILATOR & DEFROSTER WO/HEATER<SAZ> (C) BLACK 3P-1.5A IDN
		8-94422-640-1		1404-		AR	AB	VENTILATOR & DEFROSTER WO/HEATER<SAZ> (C) BLACK 3P-1.5A IDN
4		BOX ASM; FUSE,HARNESS 8-98065-666-0		1312-1403		01	A	VENTILATOR & DEFROSTER WO/HEATER<SAZ> IDN

8-10

WIRING HARNESS AND FUSE

KEY	R / C	PART NAME PART NUMBER	I T C	APPLIED DATE	L / R	Qty	APPLIED MODEL	RESTRICTION/REMARKS
								A FVZ WIDE CAB (FGZ5MV) B GVZ WIDE CAB (GGZ5MV)
4		8-98065-666-0		1404-		01	AB	VENTILATOR & DEFROSTER WO/HEATER<SAZ> IDN
5	A	FUSE; FACIA HARNESS 8-98054-257-0		1312-1403		AR	A	VENTILATOR & DEFROSTER WO/HEATER<SAZ> 10A RED IDN
		8-98054-257-0		1404-		AR	AB	VENTILATOR & DEFROSTER WO/HEATER<SAZ> 10A RED IDN
		8-98054-258-0		1312-1403		AR	A	VENTILATOR & DEFROSTER WO/HEATER<SAZ> 15A BLUE IDN
		8-98054-258-0		1404-		AR	AB	VENTILATOR & DEFROSTER WO/HEATER<SAZ> 15A BLUE IDN
		8-98054-259-0		1312-1403		AR	A	VENTILATOR & DEFROSTER WO/HEATER<SAZ> 20A YELLOW IDN
		8-98054-259-0		1404-		AR	AB	VENTILATOR & DEFROSTER WO/HEATER<SAZ> 20A YELLOW IDN
		8-98062-982-0		1312-1403		01	A	VENTILATOR & DEFROSTER WO/HEATER<SAZ> 25A WHITE IDN
		8-98062-982-0		1404-		01	AB	VENTILATOR & DEFROSTER WO/HEATER<SAZ> 25A WHITE IDN
6		HARNESS; FRAME 8-98246-390-4		1402-		01	A	MIXER CHASSIS<6NR> IDN
		8-98246-391-2		1404-		01	B	IDN
		8-98246-383-3		1312-		01	A	FULLER ES11109 DD M/T(Y5N)
		8-98246-384-3		1312-1401		01	A	ZF9S1110 DD M/T(Y5P) IDN
		8-98246-384-3		1402-		01	A	ZF9S1110 DD M/T(Y5P) EXC. MIXER CHASSIS<6NR> IDN
9		HARNESS; FRAME,RR 8-98246-389-1		1402-		01	A	WHEEL BASE 4700MM(47W) IDN
		8-98250-279-1		1404-		01	B	IDN
		8-98221-999-1		1312-		01	A	WHEEL BASE 5300MM(53W) IDN
		8-98222-001-1		1312-		01	A	WHEEL BASE 7100MM(71W) IDN
10		BOX; FUSE, HARNESS 8-98030-762-0		1312-1403		01	A	IDN
		8-98030-762-0		1404-		01	AB	IDN
12		HARNESS; ROOF 8-98041-949-2		1312-1403		01	A	IDN
		8-98041-949-2		1404-		01	AB	IDN
13		HARNESS; ENG 8-98250-434-0		1402-		01	A	POWER TAKE OFF-FLYWHEEL(6SZ)
		8-98075-774-5		1312-1401		01	A	
		8-98075-774-5		1402-1403		01	A	EXC. POWER TAKE OFF-FLYWHEEL(6SZ)
		8-98075-774-5		1404-		01	A	EXC. POWER TAKE OFF-FLYWHEEL(6SZ)
		8-98075-774-5		1404-		01	B	
18		HARNESS; DOOR 8-98076-305-3		1312-1403	L	01	A	PASSENGER IDN
		8-98076-305-3		1404-	L	01	AB	PASSENGER IDN
		8-98076-304-3		1312-1403	R	01	A	DRIVER IDN

8-10

WIRING HARNESS AND FUSE

KEY	R / C	PART NAME PART NUMBER	I T C	APPLIED DATE	L / R	Qty	APPLIED MODEL	RESTRICTION/REMARKS
								A FVZ WIDE CAB (FGZ5MV) B GVZ WIDE CAB (GGZ5MV)
18		8-98076-304-3		1404-	R	01	AB	
27	A	FUSE UNIT 8-98054-258-0		1312-1403		01	A	DRIVER IDN
		8-98054-258-0		1404-		01	AB	15A BLUE IDN
28		SCREW; FUSE BOX 0-28650-616-0		1312-1403		01	A	15A BLUE IDN
		0-28650-616-0		1404-		01	AB	BOLT M6X16 FLANGE
29		COVER; FUSE BOX 8-98056-968-0		1312-1403		01	A	BOLT M6X16 FLANGE
		8-98056-968-0		1404-		01	AB	VENTILATOR & DEFROSTER WO/HEATER<SAZ> IDN
41		PULLER; FUSE 8-98054-260-0		1312-1403		01	A	VENTILATOR & DEFROSTER WO/HEATER<SAZ> IDN
		8-98054-260-0		1404-		01	AB	VENTILATOR & DEFROSTER WO/HEATER<SAZ> IDN
95		HARNESS; NEUTRAL SW 8-98145-855-0		1312-		01	A	ZF9S1110 DD M/T(Y5P) RED
116		HARNESS; TRACTOR 8-98251-501-0		1404-		01	B	
174		FUSE; SLOW BLOW 8-97219-407-0		1312-1403		01	A	60A YELLOW IDN
		8-97219-407-0		1404-		01	AB	60A YELLOW 60A YELLOW IDN
		8-97219-407-0		1312-1403		01	A	60A YELLOW IDN
		8-97219-407-0		1404-		01	AB	60A YELLOW IDN
		8-98079-191-0		1312-1403		01	A	30A PINK IDN
		8-98079-191-0		1404-		01	AB	30A PINK IDN
		8-98079-192-0		1312-1403		01	A	40A GREEN IDN
		8-98079-192-0		1404-		01	AB	40A GREEN IDN
		8-98079-193-0		1312-1403		03	A	50A RED IDN
		8-98079-193-0		1404-		03	AB	50A RED IDN
184		COVER; RELAY & FUSE BOX 8-98030-766-0		1312-1403		01	A	(A) IDN
		8-98030-766-0		1404-		01	AB	(A) IDN
		8-98030-767-1		1312-1403		01	A	(B) IDN

8-10

WIRING HARNESS AND FUSE

KEY	R / C	PART NAME PART NUMBER	I T C	APPLIED DATE	L / R	Qty	APPLIED MODEL	RESTRICTION/REMARKS
								A FVZ WIDE CAB (FGZ5MV) B GVZ WIDE CAB (GGZ5MV)
184		8-98030-767-1		1404-		01	AB	(B) IDN
201		HARNESS; AIR TANK 8-98222-013-0		1402-		01	A	MIXER CHASSIS<6NR> IDN
		8-98250-277-0		1404-		01	B	IDN
		8-98182-517-0		1312-1401		01	A	IDN
		8-98182-517-0		1402-		01	A	EXC. MIXER CHASSIS<6NR> IDN
204		HARNESS; CABLE, FLOOR 8-98250-442-0		1404-		01	B	FULLER ES11109 DD M/T(Y5N) IDN
		8-98182-447-0		1312-		01	A	IDN
267		BOLT; BRKT 0-28650-820-0		1404-		01	B	(D) M8X20 FLANGE IDN
		0-28650-835-0		1404-		01	B	(B) M8X35 FLANGE
		0-28650-825-0		1312-1403		01	A	(A) M8X25 FLANGE IDN
		0-28650-825-0		1404-		01	AB	(A) M8X25 FLANGE IDN
		0-28650-835-0		1312-1403		02	A	(B) M8X35 FLANGE
		0-28650-835-0		1404-		02	AB	(B) M8X35 FLANGE
		0-28651-025-0		1312-1403		02	A	(C) M10X25 FLANGE IDN
		0-28651-025-0		1404-		02	AB	(C) M10X25 FLANGE IDN
276		COVER; BOX, FRAME HARNESS 8-98034-039-1		1312-1403		01	A	
		8-98034-039-1		1404-		01	AB	
280		NUT; BOX ASM FIX 0-91180-106-0		1312-1403		04	A	M6 FLANGE
		0-91180-106-0		1404-		04	AB	M6 FLANGE
290		NUT; BRKT 0-91180-108-0		1404-		04	B	(A) M8 FLANGE
		0-91180-108-0		1312-1403		01	A	(A) M8 FLANGE
		0-91180-108-0		1404-		01	AB	(A) M8 FLANGE
		0-91180-108-0		1312-1403		02	A	(A) M8 FLANGE
		0-91180-108-0		1312-1403		02	A	(A) M8 FLANGE
		0-91180-108-0		1404-		02	AB	(A) M8 FLANGE

8-10

WIRING HARNESS AND FUSE

KEY	R / C	PART NAME PART NUMBER	I T C	APPLIED DATE	L / R	Qty	APPLIED MODEL	RESTRICTION/REMARKS
								A FVZ WIDE CAB (FGZ5MV) B GVZ WIDE CAB (GGZ5MV)
290		0-91180-108-0		1404-		02	A	(A) M8 FLANGE
		0-91180-210-0		1312-1403		02	A	(B) M10 FLANGE
		0-91180-210-0		1404-		02	AB	(B) M10 FLANGE
293		NUT 0-91180-108-0		1312-1403		01	A	M8 FLANGE
		0-91180-108-0		1404-		01	AB	M8 FLANGE
453		PROTECTOR; HARNESS 1-82699-709-0		1312-1403		01	A	IDN
		1-82699-709-0		1404-		01	AB	IDN
462		HARNESS; SW,RANGE 8-98145-857-0		1312-		01	A	ZF9S1110 DD M/T(Y5P) BLUE
463		HARNESS; SW,BACK UP 8-98145-856-0		1312-		01	A	ZF9S1110 DD M/T(Y5P) BLACK
486		HARNESS; ALL SPEED ACCEL 1-82675-898-0		1402-		01	A	MIXER CHASSIS<6NR>
525		NUT; CLIP 0-91180-108-0		1312-1403		01	A	M8 FLANGE
		0-91180-108-0		1312-1403		01	A	M8 FLANGE
		0-91180-108-0		1404-		01	AB	M8 FLANGE
		0-91180-108-0		1404-		01	AB	M8 FLANGE
		0-91180-108-0		1404-		01	B	M8 FLANGE
533		CLIP 1-09700-466-0		1402-		16	A	WHEEL BASE 4700MM(47W) (H) ID=15 L=65
		1-09700-403-0		1404-		01	B	(M) ID=11 L=41
		1-09700-466-0		1404-		10	B	(H) ID=15 L=65
		1-09701-055-1		1404-		01	B	(K) ID=32 L=50
		1-09707-183-0		1404-		02	B	(D) L=350
		1-09709-150-0		1404-		01	B	(J) W/SPONGE RUBBER
		1-09701-017-0		1404-		01	B	(L) ID=31.5 H=23 L=25
		1-09701-017-0		1404-		01	B	(L) ID=31.5 H=23 L=25
		1-09700-863-0		1312-		02	A	(A) ID=27.5 H=23 L=24
		1-09700-905-0		1312-		02	A	(B) ID=34.5 H=23 L=27.5
		1-09701-214-0		1312-		01	A	(C) ID=35 L=50

8-10

WIRING HARNESS AND FUSE

KEY	R / C	PART NAME PART NUMBER	I T C	APPLIED DATE	L / R	Qty	APPLIED MODEL	RESTRICTION/REMARKS
								A FVZ WIDE CAB (FGZ5MV) B GVZ WIDE CAB (GGZ5MV)
533		1-09707-107-1		1312-1401		01	A	(E) L=600
		1-09707-107-1		1312-1401		01	A	(E) L=600
		1-09707-107-1		1402-1403		01	A	EXC. MIXER CHASSIS<6NR> (E) L=600
		1-09707-107-1		1402-1403		01	A	(E) L=600
		1-09707-107-1		1404-		01	AB	(E) L=600
		1-09707-107-1		1404-		01	A	EXC. MIXER CHASSIS<6NR> (E) L=600
		1-09707-183-0		1312-1403		01	A	(D) L=350
		1-09707-183-0		1404-		01	AB	(D) L=350
		1-09709-181-0		1312-1401		01	A	(I) OD=9 H=17.5
		1-09709-181-0		1402-1403		01	A	MIXER CHASSIS<6NR> (I) OD=9 H=17.5
		1-09709-181-0		1402-1403		01	A	(I) OD=9 H=17.5
		1-09709-181-0		1404-		01	AB	(I) OD=9 H=17.5
		1-09709-181-0		1404-		01	A	MIXER CHASSIS<6NR> (I) OD=9 H=17.5
		1-09709-289-0		1312-1401		01	A	(G) ID=5-12 L=26
		1-09709-289-0		1402-		01	A	EXC. MIXER CHASSIS<6NR> (G) ID=5-12 L=26
		5-09707-030-1		1312-1403		05	A	(F) L=250 IDN
		5-09707-030-1		1404-		05	AB	(F) L=250 IDN
		1-09700-466-0		1312-		20	A	WHEEL BASE 5300MM(53W) (H) ID=15 L=65
		1-09700-466-0		1312-		30	A	WHEEL BASE 7100MM(71W) (H) ID=15 L=65
		5-09707-030-1		1312-1403		01	A	ZF9S1110 DD M/T(Y5P) PTO CONTROL<SV6> (F) L=250 IDN
		5-09707-030-1		1312-1403		01	A	(F) L=250 IDN
		5-09707-030-1		1404-		01	AB	(F) L=250 IDN

8-10

WIRING HARNESS AND FUSE

KEY	R / C	PART NAME PART NUMBER	I T C	APPLIED DATE	L / R	Qty	APPLIED MODEL	RESTRICTION/REMARKS
								A FVZ WIDE CAB (FGZ5MV) B GVZ WIDE CAB (GGZ5MV)
533		5-09707-030-1		1404-		01	A	ZF9S1110 DD M/T(Y5P) PTO CONTROL<SV6> (F) L=250 IDN
		5-09707-030-1		1404-		01	B	(F) L=250 IDN
534		BOLT 0-28650-830-0		1312-1403		01	A	(A) M8X30 FLANGE
		0-28650-830-0		1404-		01	AB	(A) M8X30 FLANGE
		1-09030-073-0		1312-1403		03	A	(B) M8X35 W/LK&PL WASHER
		1-09030-073-0		1404-		03	AB	(B) M8X35 W/LK&PL WASHER
542		GROMMET; HARNESS 1-09332-011-1		1402-1403		01	A	MIXER CHASSIS<6NR> (B) ID=28 OD=35 T=25
		1-09332-011-1		1404-		01	A	MIXER CHASSIS<6NR> (B) ID=28 OD=35 T=25
		1-09332-011-1		1404-		01	B	(B) ID=28 OD=35 T=25
		9-09956-256-2		1312-1403		01	A	(A) ID=28 OD=35 T=17
		9-09956-256-2		1404-		01	AB	(A) ID=28 OD=35 T=17
548		GROMMET 1-09332-011-1		1312-1403		01	A	ID=28 OD=35 T=25
		1-09332-011-1		1404-		01	AB	ID=28 OD=35 T=25
570		HARNESS; SPEED SENSOR 8-98148-602-0		1312-		01	A	ZF9S1110 DD M/T(Y5P)
595		HARNESS; WARNING, BRK 8-97620-487-1		1312-1403		01	A	IDN
		8-97620-487-1		1404-		01	AB	IDN
639		BOLT; CLIP 0-50640-830-0		1404-		01	B	(D) M8X30 W/LK&PL WASHER
		0-28650-820-0		1312-1403		01	A	(A) M8X20 FLANGE IDN
		0-28650-820-0		1404-		01	AB	(A) M8X20 FLANGE IDN
		0-28650-825-0		1312-1403		01	A	(B) M8X25 FLANGE IDN
		0-28650-825-0		1404-		01	AB	(B) M8X25 FLANGE IDN
		0-28650-830-0		1312-1403		01	A	(C) M8X30 FLANGE

8-10

WIRING HARNESS AND FUSE

KEY	R / C	PART NAME PART NUMBER	I T C	APPLIED DATE	L / R	Qty	APPLIED MODEL	RESTRICTION/REMARKS
								A FVZ WIDE CAB (FGZ5MV) B GVZ WIDE CAB (GGZ5MV)
639		0-28650-830-0		1404-		01	AB	(C) M8X30 FLANGE
640		NUT; CLIP 0-91180-108-0		1312-1403		01	A	M8 FLANGE
		0-91180-108-0		1404-		01	AB	M8 FLANGE
668		BRACKET; HARNESS 8-98237-815-0		1402-		01	A	MIXER CHASSIS<6NR> (F)
		1-47476-658-0		1404-		01	B	(H)
		8-98127-093-0		1404-		01	B	(G)
		1-47475-304-0		1312-1403		01	A	(A) L=55
		1-47475-304-0		1404-		01	AB	(A) L=55
		8-97609-110-1		1312-1403		01	A	(B)
		8-97609-110-1		1404-		01	AB	(B)
		8-97616-305-0		1312-1403		01	A	(C)
		8-97616-305-0		1404-		01	AB	(C)
		8-98095-653-2		1312-1403		01	A	(D)
		8-98095-653-2		1404-		01	AB	(D)
		8-98168-184-0		1312-1403		01	A	(E)
		8-98168-184-0		1404-		01	AB	(E)
		8-98212-082-1		1312-1401		01	A	(F)
		8-98212-082-1		1402-1403		01	A	EXC. MIXER CHASSIS<6NR> (F)
		8-98212-082-1		1404-		01	A	EXC. MIXER CHASSIS<6NR> (F)
		8-98212-082-1		1404-		01	B	(F)
673		HARNESS; EXT, SENSOR 8-98069-172-0		1312-1403		01	A	IDN
		8-98069-172-0		1404-		01	AB	IDN
691		HARNESS; IDLE CONT 8-98049-014-2		1312-1403		01	A	IDN
		8-98049-014-2		1404-		01	AB	IDN
693		RELAY; FUSE BOX 8-97173-035-1		1312-1403		AR	A	VENTILATOR & DEFROSTER WO/HEATER<SAZ> 24V 10A MATSUSHITA IDN
		8-97173-035-1		1404-		AR	AB	VENTILATOR & DEFROSTER WO/HEATER<SAZ> 24V 10A MATSUSHITA IDN
694		BOX ASM; CONNECTOR 8-98057-771-0		1312-1403		01	A	VENTILATOR & DEFROSTER WO/HEATER<SAZ>
		8-98057-771-0		1404-		01	AB	VENTILATOR & DEFROSTER WO/HEATER<SAZ>
8-15		Move to 8-15						
3-80		Move to 3-80						
8-28		Move to 8-28						
1-01		Move to 1-01						
1-30		Move to 1-30						
1-31		Move to 1-31						
3-75		Move to 3-75						
5-01		Move to 5-01						
7-40		Move to 7-40						

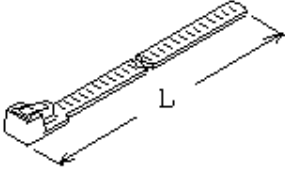
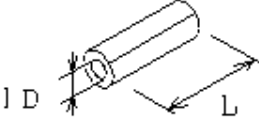
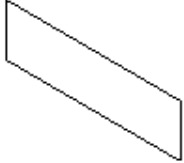
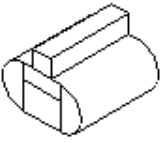
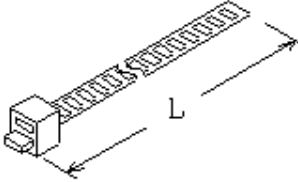

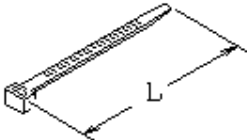
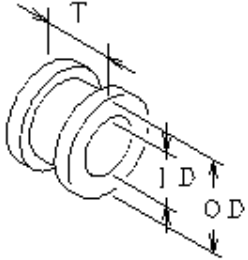
8-10

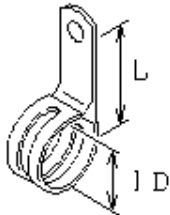

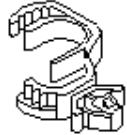
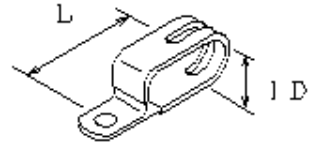
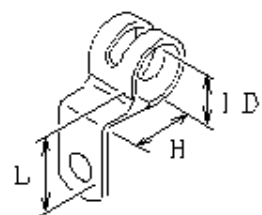
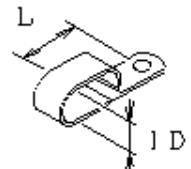
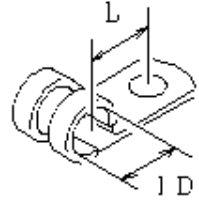
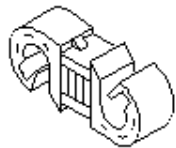
WIRING HARNESS AND FUSE

KEY	R / C	PART NAME PART NUMBER	I T C	APPLIED DATE	L / R	Qty	APPLIED MODEL	RESTRICTION/REMARKS
								A FVZ WIDE CAB (FGZ5MV) B GVZ WIDE CAB (GGZ5MV)
2-20		Move to 2-20						
		Move to 2-20						
3-20		Move to 3-20						
3-25		Move to 3-25						
8-25		Move to 8-25						

8-15 FIXING PARTS; WIRING HARNESS

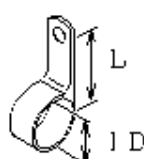
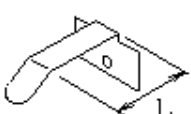
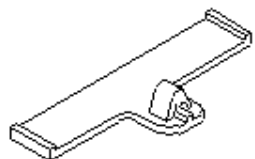
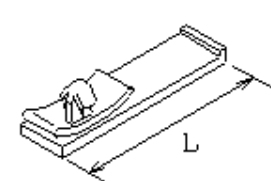
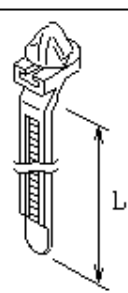

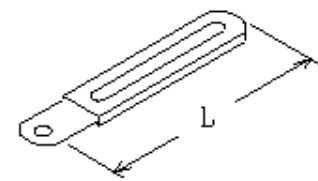
CLIP NO.1 AND OTHER PARTS

SIZE		KEY NO.		SIZE		KEY NO.		SIZE		KEY NO.	
											
L=140	48 (A)	ID	L	—		530					
L=250	217	10	30	1 (B)							
		14	60	1 (A)							
											
—		503		L=350		14 (B)		—		538	
											
L=250	14 (A)	ID	OD	T							
		28	35	25	178						

SIZE		KEY NO.	SIZE		KEY NO.	SIZE		KEY NO.																
																								
1D	L		1D	L		—	16 (A)																	
14,5	20	16 (I)	21	47,5	305 (C)																			
	40	16 (E)				1D	L																	
24	32	305 (D)	<table border="1"> <tr> <td>1D</td> <td>H</td> <td>L</td> <td></td> </tr> <tr> <td>19</td> <td>21</td> <td>39</td> <td>305 (G)</td> </tr> <tr> <td>20</td> <td>23</td> <td>27</td> <td>305 (F)</td> </tr> <tr> <td>24,5</td> <td>23</td> <td>25</td> <td>305 (K)</td> </tr> </table>			1D	H	L		19	21	39	305 (G)	20	23	27	305 (F)	24,5	23	25	305 (K)	20x2	28	306 (B)
1D	H	L																						
19	21	39	305 (G)																					
20	23	27	305 (F)																					
24,5	23	25	305 (K)																					
25	60	305 (H)																						
28	32	306 (A)	<table border="1"> <tr> <td>1D</td> <td>L</td> <td></td> </tr> <tr> <td>28</td> <td>78</td> <td>48 (B)</td> </tr> </table>			1D	L		28	78	48 (B)	1D	L											
1D	L																							
28	78	48 (B)																						
			<table border="1"> <tr> <td>1D</td> <td>L</td> <td></td> </tr> <tr> <td>18</td> <td>28</td> <td>305 (L)</td> </tr> <tr> <td>24</td> <td>27</td> <td>305 (E)</td> </tr> </table>			1D	L		18	28	305 (L)	24	27	305 (E)	1D	L								
1D	L																							
18	28	305 (L)																						
24	27	305 (E)																						
1D			<table border="1"> <tr> <td>1D</td> <td>L</td> <td></td> </tr> <tr> <td>16x2</td> <td>50</td> <td>16 (G)</td> </tr> </table>			1D	L		16x2	50	16 (G)	1D	L											
1D	L																							
16x2	50	16 (G)																						
12&15		16 (J)				1D	L																	

8-15 FIXING PARTS; WIRING HARNESS

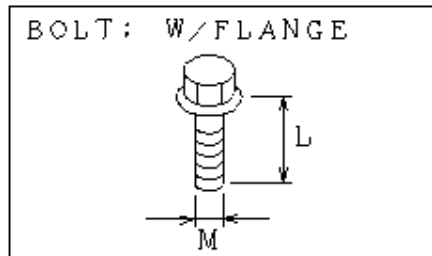
CLIP NO.3

SIZE		KEY NO.	SIZE		KEY NO.	SIZE		KEY NO.
								
ID	L		L		—		16 : C)	
11	20	16 : H)	20	116				
18	28	16 : F)				L		
		305 B)	L		40, 8	16 : D)		
	40	305 A)	L					
			L					
OD	H		155	16 : B)				
9	8	305 I)	L					
		470	100	305 J)				

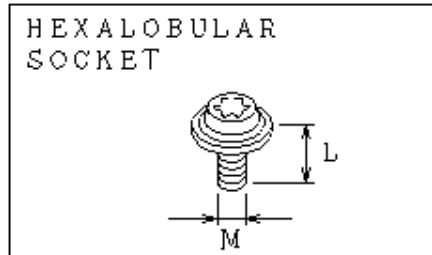
8-15 FIXING PARTS; WIRING HARNESS

BOLT, NUT, SCREW AND WASHER

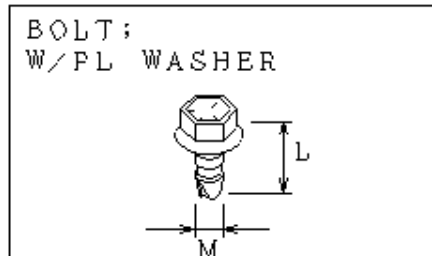
SIZE	KEY NO.
------	---------



M	L	
8	12	139 A)
		304 B)
	16	38 : A)
		304 C)
		304 A)
	20	304 A)

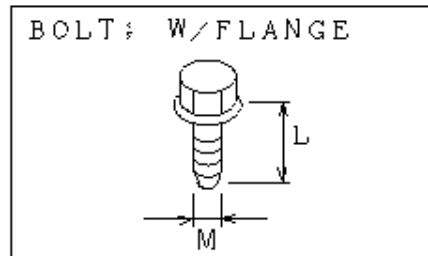


M	L	
5	7	127

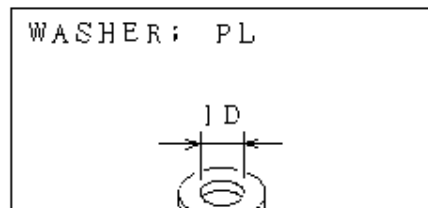


M	L	
8	18.5	38 : C)
		386

SIZE	KEY NO.
------	---------

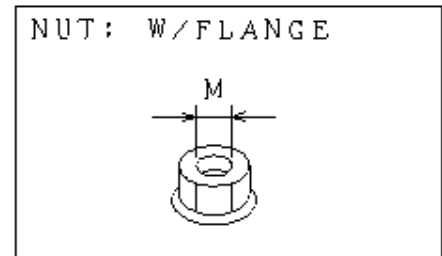


M	L	
8	25	38 : B)
		139 D)
	30	139 B)
10	16	38 : D)
	20	38 : E)
	35	139 C)

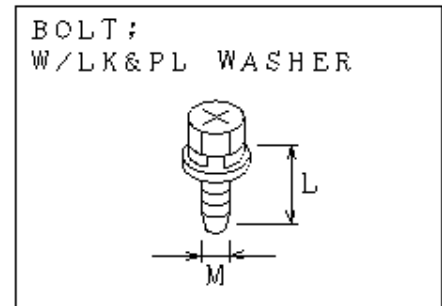


ID	
10.5	184

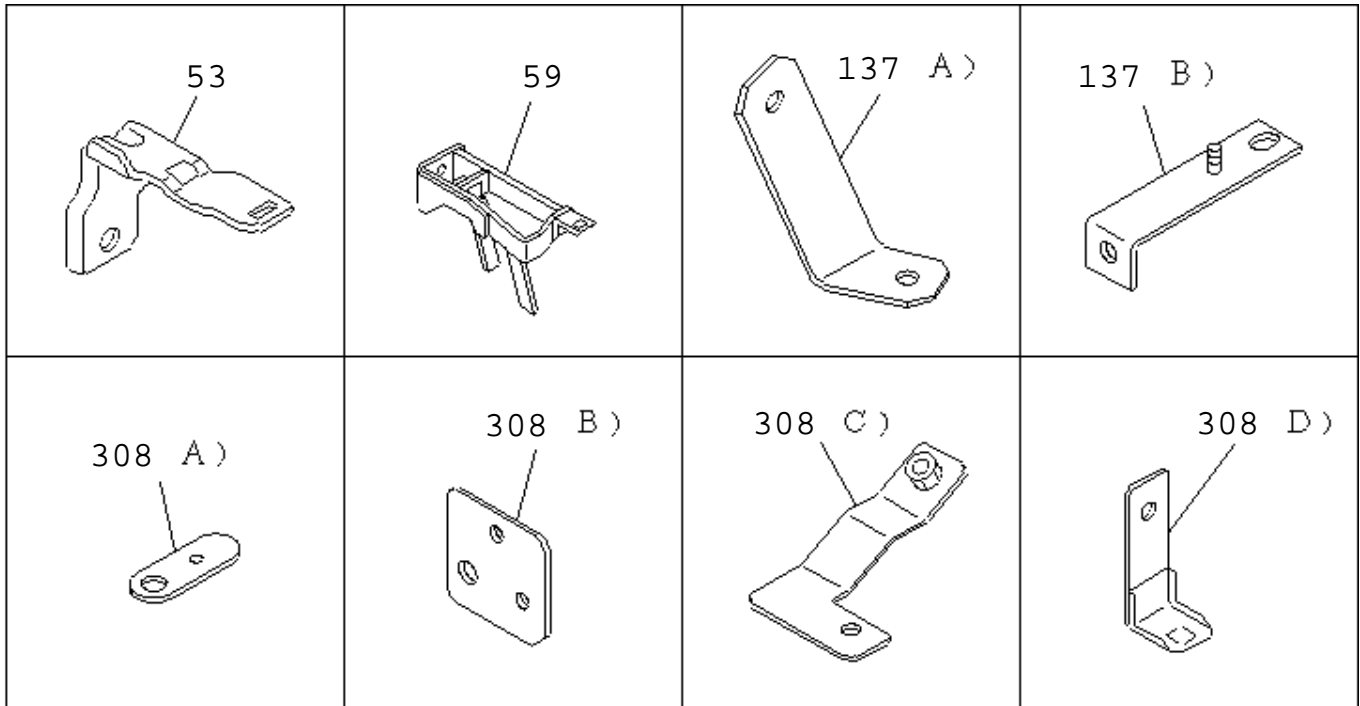
SIZE	KEY NO.
------	---------



M	
6	524
8	219
	525



M	L	
4	10	516
6	16	377



8-15

FIXING PARTS; WIRING HARNESS

KEY	R / C	PART NAME PART NUMBER	I T C	APPLIED DATE	Qty	APPLIED MODEL	RESTRICTION/REMARKS
							A FVZ WIDE CAB (FGZ5MV) B GVZ WIDE CAB (GGZ5MV)
1		SLEEVE; RUBBER 9-09956-682-0		1402-1403	03	A	EXC. POWER TAKE OFF-FLYWHEEL (6SZ) (B) ID=10 OD=14 L=30
		9-09956-682-0		1404-	03	A	EXC. POWER TAKE OFF-FLYWHEEL (6SZ) (B) ID=10 OD=14 L=30
		9-09956-682-0		1404-	03	B	(B) ID=10 OD=14 L=30
		1-09337-030-0		1312-1403	01	A	(A) ID=14 OD=18 L=60
		1-09337-030-0		1404-	01	AB	(A) ID=14 OD=18 L=60
		9-09956-682-0		1312-1401	03	A	(B) ID=10 OD=14 L=30
		9-09956-682-0		1402-	02	A	POWER TAKE OFF-FLYWHEEL (6SZ) (B) ID=10 OD=14 L=30
14		CLIP; BAND, HARNESS 8-98216-430-0		1402-	10	A	POWER TAKE OFF-FLYWHEEL (6SZ) (A) L=250
		8-98216-430-0		1402-1403	08	A	EXC. POWER TAKE OFF-FLYWHEEL (6SZ) (A) L=250
		8-98216-430-0		1404-	08	A	EXC. POWER TAKE OFF-FLYWHEEL (6SZ) (A) L=250
		8-98216-430-0		1404-	08	B	(A) L=250
		1-09707-183-0		1312-1403	01	A	(B) L=350
		1-09707-183-0		1404-	01	AB	(B) L=350
		8-98216-430-0		1312-1401	09	A	(A) L=250
		8-98216-430-0		1402-1403	01	A	(A) L=250
		8-98216-430-0		1404-	01	AB	(A) L=250
16		CLIP; HARNESS 1-09709-281-1		1404-	01	B	(J) ID=12 & 15
		0-95235-556-0		1312-1403	02	A	(F) ID=16 L=28
		0-95235-556-0		1404-	02	AB	(F) ID=16 L=28
		8-94413-325-0		1312-1403	01	A	(A) ID=10 & 16 IDN
		8-94413-325-0		1404-	01	AB	(A) ID=10 & 16 IDN
		8-97173-307-0		1312-1403	18	A	(B) L=155 IDN

8-15

FIXING PARTS; WIRING HARNESS

KEY	R / C	PART NAME PART NUMBER	I T C	APPLIED DATE	Qty	APPLIED MODEL	RESTRICTION/REMARKS
							A FVZ WIDE CAB(FGZ5MV) B GVZ WIDE CAB(GGZ5MV)
16		8-97173-307-0		1404-	18	AB	(B) L=155 IDN
		8-97229-357-0		1312-1403	02	A	(D) L=40.6
		8-97229-357-0		1404-	02	AB	(D) L=40.6
		8-98052-679-0		1312-1403	02	A	(C)
		8-98052-679-0		1404-	02	AB	(C)
		0-95235-035-0		1312-1403	01	A	FULLER ES11109 DD M/T(Y5N) (H) ID=11 L=20
		0-95235-035-0		1404-	01	AB	FULLER ES11109 DD M/T(Y5N) (H) ID=11 L=20
		1-09701-012-0		1312-1403	01	A	FULLER ES11109 DD M/T(Y5N) (I) ID=14.5 L=20
		1-09701-012-0		1404-	01	AB	FULLER ES11109 DD M/T(Y5N) (I) ID=14.5 L=20
		0-95325-586-0		1312-	01	A	ZF9S1110 DD M/T(Y5P) (G) ID=16X2 L=50
		1-09701-014-0		1312-	01	A	ZF9S1110 DD M/T(Y5P) (E) ID=14.5 L=40
38		BOLT; CLIP, HARNESS 0-28050-816-0		1312-1403	02	A	(A) M8X16 FLANGE
		0-28050-816-0		1404-	02	AB	(A) M8X16 FLANGE
		0-28650-825-0		1312-1403	02	A	(B) M8X25 FLANGE IDN
		0-28650-825-0		1404-	02	AB	(B) M8X25 FLANGE IDN
		0-28650-825-0		1312-1403	03	A	(B) M8X25 FLANGE IDN
		0-28650-825-0		1404-	03	AB	(B) M8X25 FLANGE IDN
		8-98141-255-0		1312-1403	03	A	(C) M8X18.5 W/PL WASHER IDN
		8-98141-255-0		1404-	03	AB	(C) M8X18.5 W/PL WASHER IDN
		0-28151-016-0		1312-1403	01	A	FULLER ES11109 DD M/T(Y5N) (D) M10X16 FLANGE
		0-28151-016-0		1404-	01	AB	FULLER ES11109 DD M/T(Y5N) (D) M10X16 FLANGE
		0-28651-020-0		1312-1403	01	A	FULLER ES11109 DD M/T(Y5N) (E) M10X20 FLANGE IDN

8-15

FIXING PARTS; WIRING HARNESS

KEY	R / C	PART NAME PART NUMBER	I T C	APPLIED DATE	Qty	APPLIED MODEL	RESTRICTION/REMARKS
							A FVZ WIDE CAB(FGZ5MV) B GVZ WIDE CAB(GGZ5MV)
38		0-28651-020-0		1404-	01	AB	FULLER ES11109 DD M/T(Y5N) (E) M10X20 FLANGE IDN
48		CLIP; FRAME HARNESS 1-09700-858-0		1312-	01	A	(B) ID=28 L=78
		5-09707-031-1		1312-1403	02	A	(A) L=140 IDN
		5-09707-031-1		1404-	02	AB	(A) L=140 IDN
53		BRACKET; HARNESS 8-98052-458-0		1312-1403	01	A	IDN
		8-98052-458-0		1404-	01	AB	IDN
59		BRACKET; FRAME HARNESS 8-98099-963-0		1402-	01	A	MIXER CHASSIS<6NR>
		8-97609-264-2		1312-1401	01	A	
		8-97609-264-2		1402-1403	01	A	EXC. MIXER CHASSIS<6NR>
		8-97609-264-2		1404-	01	A	EXC. MIXER CHASSIS<6NR>
		8-97609-264-2		1404-	01	B	
116		CLIP; ROOF HARNESS 1-09987-246-2		1312-1403	03	A	L=20
		1-09987-246-2		1404-	03	AB	L=20
127		SCREW; FACIA HARNESS CLIP 8-98063-767-0		1312-1403	01	A	M5X7 HEXALOBULAR SOCKET IDN
		8-98063-767-0		1404-	01	AB	M5X7 HEXALOBULAR SOCKET IDN
137		BRACKET; HARNESS CLAMP 8-97614-728-1		1312-1403	01	A	(A)
		8-97614-728-1		1404-	01	AB	(A)
		8-97624-013-0		1312-1403	01	A	(B)
		8-97624-013-0		1404-	01	AB	(B)
139		BOLT; BRKT 0-28050-812-0		1312-1403	01	A	(A) M8X12 FLANGE
		0-28050-812-0		1404-	01	AB	(A) M8X12 FLANGE
		0-28650-825-0		1312-1403	01	A	(D) M8X25 FLANGE IDN
		0-28650-825-0		1404-	01	AB	(D) M8X25 FLANGE IDN
		0-28650-830-0		1312-1403	01	A	(B) M8X30 FLANGE
		0-28650-830-0		1404-	01	AB	(B) M8X30 FLANGE
		0-28651-035-0		1312-1403	01	A	(C) M10X35 FLANGE IDN

8-15

FIXING PARTS; WIRING HARNESS

KEY	R / C	PART NAME PART NUMBER	I T C	APPLIED DATE	Qty	APPLIED MODEL	RESTRICTION/REMARKS
							A FVZ WIDE CAB(FGZ5MV) B GVZ WIDE CAB(GGZ5MV)
139		0-28651-035-0		1404-	01	AB	(C) M10X35 FLANGE IDN
178		GROMMET; HARNESS 1-09332-011-1		1312-1401	01	A	ID=28 OD=35 T=25
		1-09332-011-1		1312-1401	01	A	ID=28 OD=35 T=25
		1-09332-011-1		1402-1403	01	A	EXC. MIXER CHASSIS<6NR> ID=28 OD=35 T=25
		1-09332-011-1		1402-1403	01	A	ID=28 OD=35 T=25
		1-09332-011-1		1404-	01	AB	ID=28 OD=35 T=25
		1-09332-011-1		1404-	01	A	EXC. MIXER CHASSIS<6NR> ID=28 OD=35 T=25
184		WASHER; PL,STARTER EARTH 1-09503-265-0		1402-	01	A	MIXER CHASSIS<6NR> ID=10.5 OD=22 T=2.0
		1-09503-265-0		1312-1401	02	A	ID=10.5 OD=22 T=2.0
		1-09503-265-0		1402-1403	02	A	EXC. MIXER CHASSIS<6NR> ID=10.5 OD=22 T=2.0
		1-09503-265-0		1404-	02	A	EXC. MIXER CHASSIS<6NR> ID=10.5 OD=22 T=2.0
		1-09503-265-0		1404-	02	B	ID=10.5 OD=22 T=2.0
217		CLIP; RR BODY HARNESS 5-09707-030-1		1312-1403	02	A	L=250 IDN
		5-09707-030-1		1404-	02	AB	L=250 IDN
219		NUT 0-91180-108-0		1312-1403	02	A	M8 FLANGE
		0-91180-108-0		1404-	02	AB	M8 FLANGE
304		BOLT; ENG HARNESS CLIP 0-28050-816-0		1402-1403	05	A	EXC. POWER TAKE OFF-FLYWHEEL(6SZ) (C) M8X16 FLANGE
		0-28050-816-0		1404-	05	A	EXC. POWER TAKE OFF-FLYWHEEL(6SZ) (C) M8X16 FLANGE
		0-28050-816-0		1404-	05	B	(C) M8X16 FLANGE
		0-28050-812-0		1312-1403	06	A	(B) M8X12 FLANGE
		0-28050-812-0		1404-	06	AB	(B) M8X12 FLANGE
		0-28050-816-0		1312-1401	05	A	(C) M8X16 FLANGE
		0-28050-816-0		1402-	03	A	POWER TAKE OFF-FLYWHEEL(6SZ) (C) M8X16 FLANGE
		0-28050-820-0		1312-1403	04	A	(A) M8X20 FLANGE
		0-28050-820-0		1404-	04	AB	(A) M8X20 FLANGE
305		CLIP; ENG HARNESS 1-09700-862-0		1402-	01	A	POWER TAKE OFF-FLYWHEEL(6SZ) (K) ID=24.5 H=23 L=25

8-15

FIXING PARTS; WIRING HARNESS

KEY	R / C	PART NAME PART NUMBER	I T C	APPLIED DATE	Qty	APPLIED MODEL	RESTRICTION/REMARKS	
							A	B
305		1-09701-067-0		1402-	01	A	A	FVZ WIDE CAB(FGZ5MV) B GVZ WIDE CAB(GGZ5MV)
		0-95235-556-0		1402-1403	02	A		POWER TAKE OFF-FLYWHEEL(6SZ) (L) ID=18 L=28
		0-95235-556-0		1404-	02	A		EXC. POWER TAKE OFF-FLYWHEEL(6SZ) (B) ID=16 L=28
		0-95235-556-0		1404-	02	B		EXC. POWER TAKE OFF-FLYWHEEL(6SZ) (B) ID=16 L=28
		8-94443-021-1		1312-1403	02	A		(J) L=100
		8-94443-021-1		1404-	02	AB		(J) L=100
		0-95235-556-0		1312-1401	02	A		(B) ID=16 L=28
		0-95235-556-0		1402-	01	A		POWER TAKE OFF-FLYWHEEL(6SZ) (B) ID=16 L=28
		0-95235-576-0		1312-1403	01	A		(A) ID=16 L=40
		0-95235-576-0		1404-	01	AB		(A) ID=16 L=40
		1-09700-766-1		1312-1401	01	A		(D) ID=24 L=32
		1-09700-766-1		1402-1403	01	A		EXC. POWER TAKE OFF-FLYWHEEL(6SZ) (D) ID=24 L=32
		1-09700-766-1		1404-	01	A		EXC. POWER TAKE OFF-FLYWHEEL(6SZ) (D) ID=24 L=32
		1-09700-766-1		1404-	01	B		(D) ID=24 L=32
		1-09700-809-0		1312-1403	03	A		(E) ID=24 L=27
		1-09700-809-0		1404-	03	AB		(E) ID=24 L=27
		1-09700-861-0		1312-1403	01	A		(F) ID=20 H=23 L=27
		1-09700-861-0		1404-	01	AB		(F) ID=20 H=23 L=27
		1-09700-972-1		1312-1403	01	A		(G) ID=19 L=39 H=21
		1-09700-972-1		1404-	01	AB		(G) ID=19 L=39 H=21
		1-09701-041-1		1312-1403	01	A		(H) ID=25 L=60
		1-09701-041-1		1404-	01	AB		(H) ID=25 L=60
		1-09709-178-0		1312-1403	01	A		(I) OD=9 H=6
		1-09709-178-0		1404-	01	AB		(I) OD=9 H=6

8-15

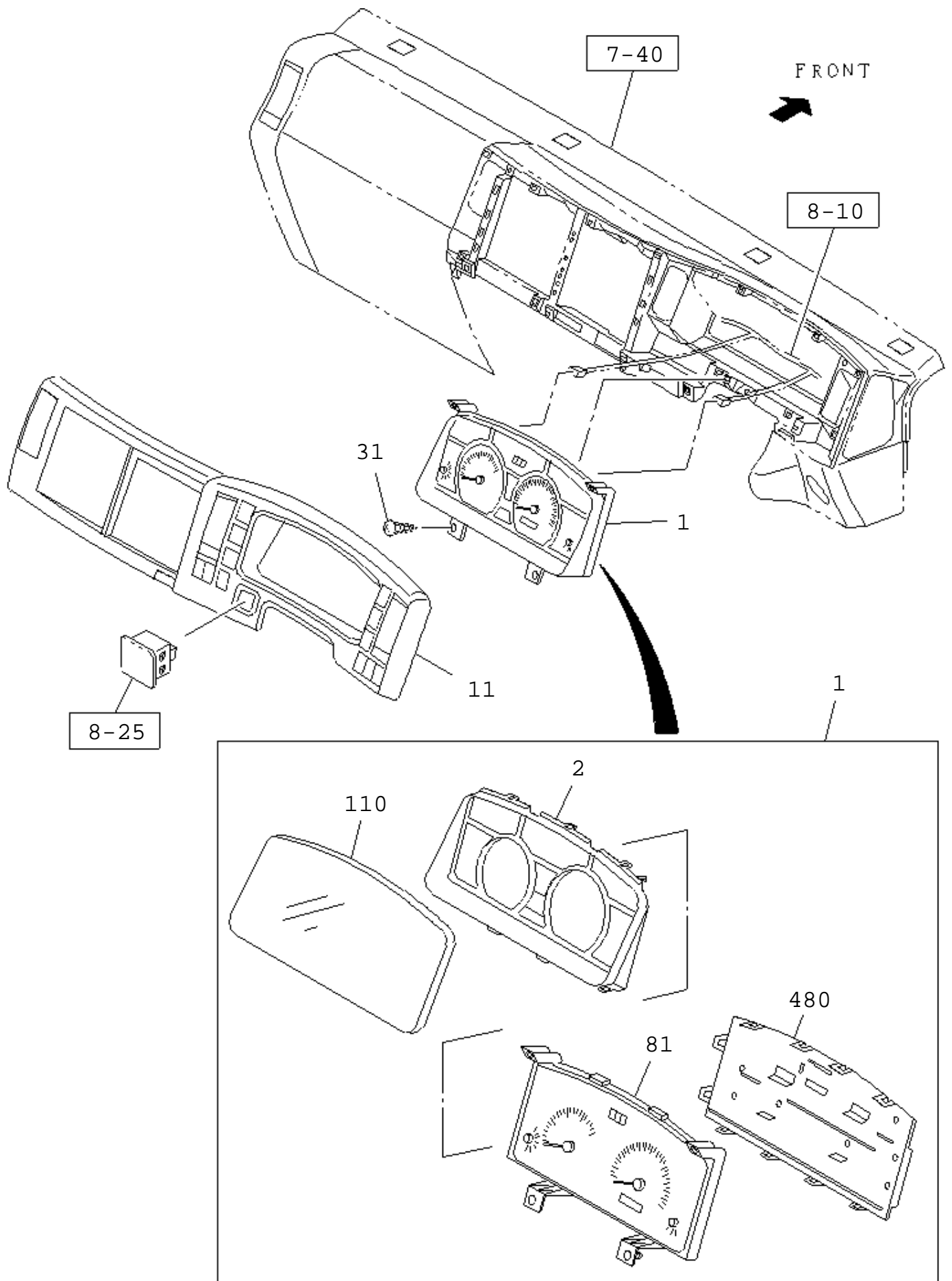
FIXING PARTS; WIRING HARNESS

KEY	R / C	PART NAME PART NUMBER	I T C	APPLIED DATE	Qty	APPLIED MODEL	RESTRICTION/REMARKS
							A FVZ WIDE CAB(FGZ5MV) B GVZ WIDE CAB(GGZ5MV)
305		8-94178-108-0		1312-1403	01	A	(C) ID=21 L=47.5
		8-94178-108-0		1404-	01	AB	(C) ID=21 L=47.5
306		CLIP; HARNESS,ELEC GOV 1-09701-107-1		1312-1403	01	A	(A) ID=28 L=32
		1-09701-107-1		1404-	01	AB	(A) ID=28 L=32
		1-09701-302-0		1312-1403	02	A	(B) ID=28X2 L=28
		1-09701-302-0		1404-	02	AB	(B) ID=28X2 L=28
308		BRACKET; CLIP,ENG HARNESS 8-97601-310-0		1312-1403	02	A	(A)
		8-97601-310-0		1404-	02	AB	(A)
		8-98021-692-1		1312-1401	01	A	(B)
		8-98021-692-1		1402-1403	01	A	EXC. POWER TAKE OFF-FLYWHEEL(6SZ)
		8-98021-692-1		1404-	01	A	(B) EXC. POWER TAKE OFF-FLYWHEEL(6SZ)
		8-98021-692-1		1404-	01	B	(B)
		8-98032-178-0		1312-1403	01	A	(C)
		8-98032-178-0		1404-	01	AB	(C)
		8-98075-824-0		1312-1403	01	A	(D)
		8-98075-824-0		1404-	01	AB	(D)
377		BOLT; CAB EARTH 8-97086-823-0		1312-1403	02	A	M6X16 W/LK&PL WASHER
		8-97086-823-0		1404-	02	AB	M6X16 W/LK&PL WASHER
386		BOLT; GRAND HARNESS 8-98141-255-0		1312-1403	02	A	M8X18.5 W/PL WASHER IDN
		8-98141-255-0		1404-	02	AB	M8X18.5 W/PL WASHER IDN
470		CLIP; HARNESS,LICENSE LAMP 1-09709-178-0		1312-1403	01	A	OD=9 H=6
		1-09709-178-0		1404-	01	AB	OD=9 H=6
503		CONNECTOR 1-82690-668-0		1312-1403	01	A	
		1-82690-668-0		1404-	01	AB	
516		BOLT; HARNESS 0-36230-410-0		1312-1403	01	A	M4X10 W/LK&PL WASHER
		0-36230-410-0		1404-	01	AB	M4X10 W/LK&PL WASHER
524		NUT; HARNESS 0-91180-106-0		1312-1403	02	A	M6 FLANGE
		0-91180-106-0		1404-	02	AB	M6 FLANGE
525		NUT; CLIP 0-91180-108-0		1312-1403	02	A	M8 FLANGE

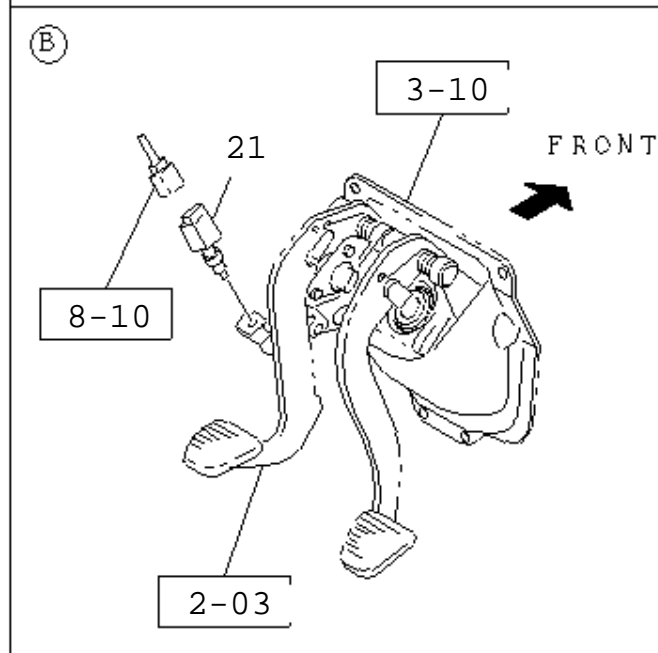
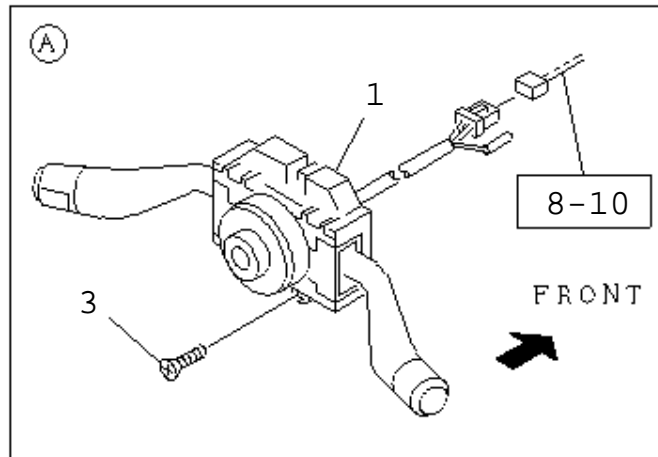
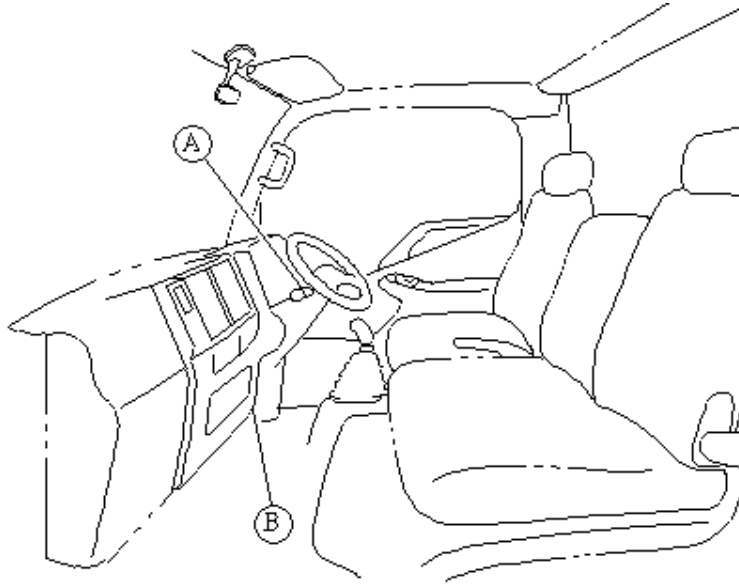
8-15

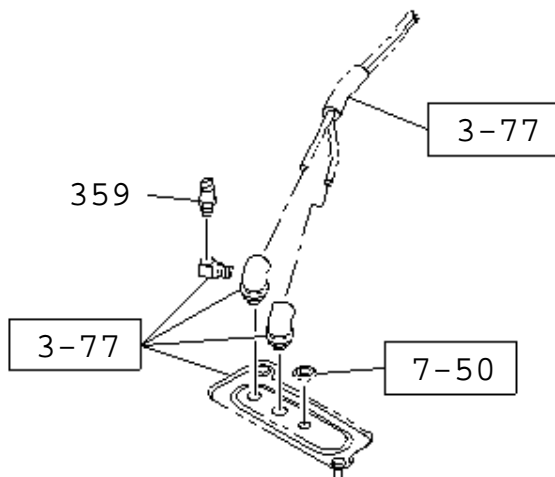
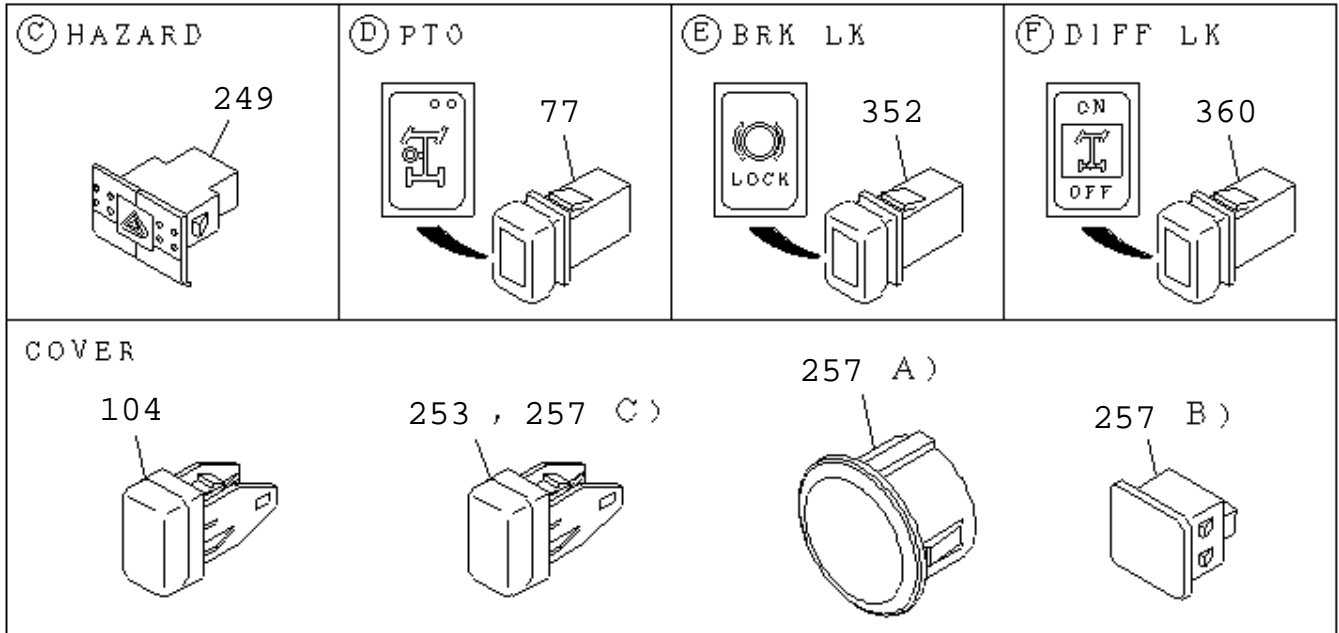
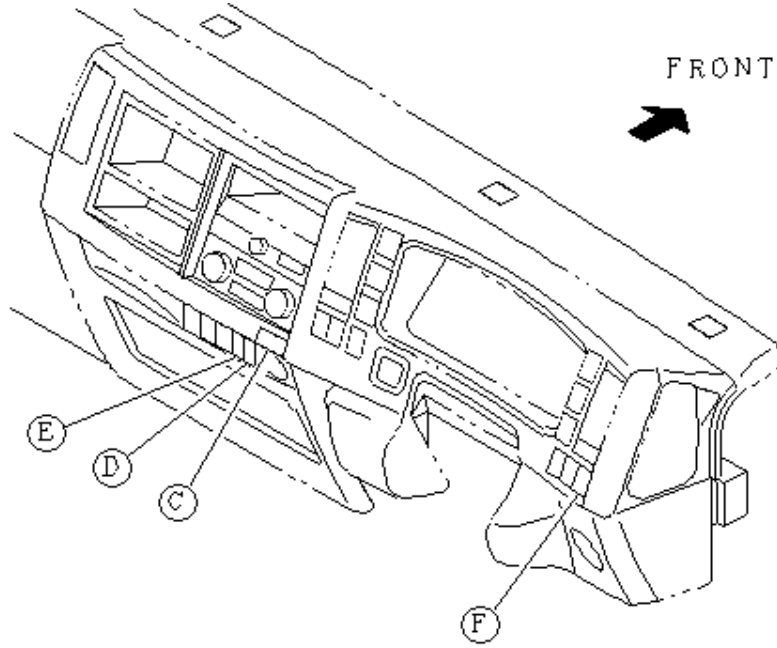
FIXING PARTS; WIRING HARNESS

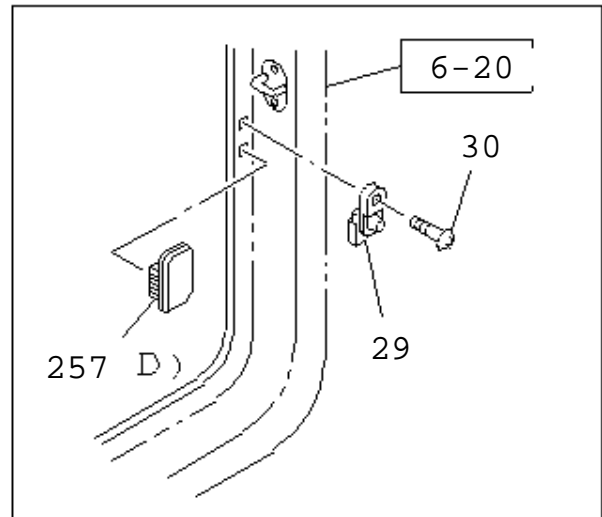
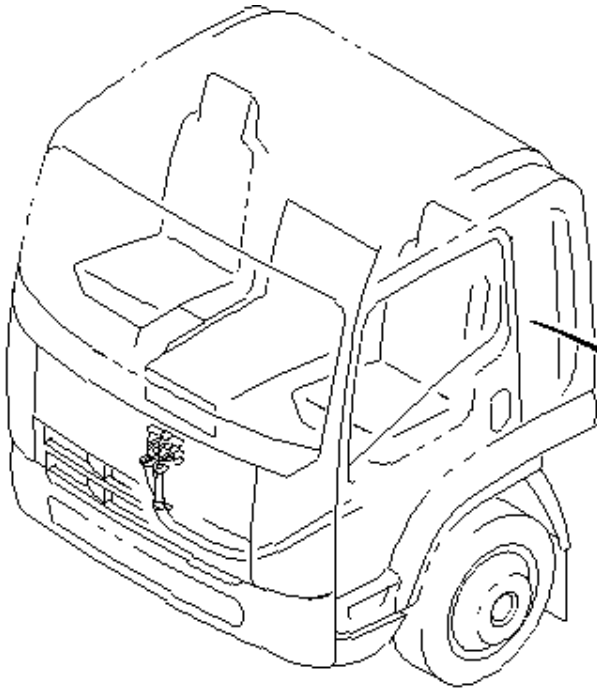
KEY	R / C	PART NAME PART NUMBER	I T C	APPLIED DATE	Qty	APPLIED MODEL	RESTRICTION/REMARKS
							A FVZ WIDE CAB(FGZ5MV) B GVZ WIDE CAB(GGZ5MV)
525		0-91180-108-0		1404-	02	AB	
530		SEAL; HARNESS 1-72498-019-1		1312-1402	11	A	M8 FLANGE
538		SEAL; HOLE 1-76798-019-0		1312-1403	01	A	180X40
		1-76798-019-0		1404-	01	AB	OD=25 BLACK
							OD=25 BLACK



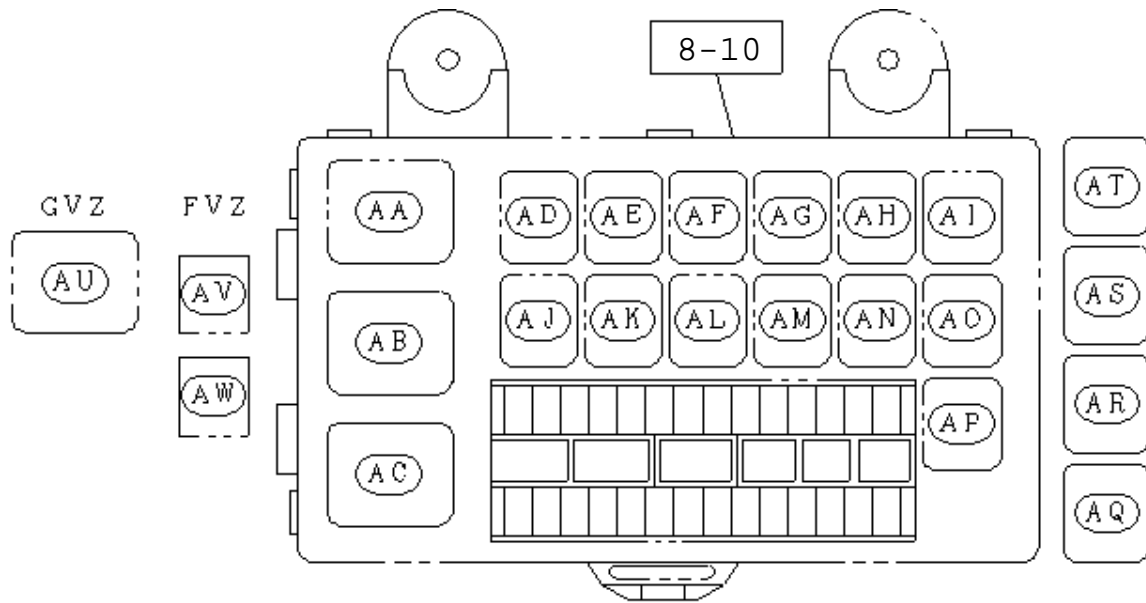
KEY	R / C	PART NAME PART NUMBER	I T C	APPLIED DATE	Qty	APPLIED MODEL	RESTRICTION/REMARKS
							A FVZ WIDE CAB(FGZ5MV) B GVZ WIDE CAB(GGZ5MV)
1		METER COMPL; CLUSTER 8-98270-280-0 8-98270-280-0 8-98270-280-0 8-98226-874-0 8-98226-874-0		1402-1403 1404- 1404- 1312-1401 1402-	01 01 01 01 01	A A B A A	PARKING BRAKE - BRAKE LOCK(6LL) PARKING BRAKE - BRAKE LOCK(6LL) EXC. PARKING BRAKE - BRAKE LOCK(6LL)
2		PANEL; CLUSTER 8-98054-432-0 8-98054-432-0		1312-1403 1404-	01 01	A AB	
11		CLUSTER ASM; METER 8-97405-350-6 8-97405-350-6		1312-1403 1404-	01 01	A AB	DARK GRAY IDN DARK GRAY IDN
31		SCREW; METER, INST PANEL 0-72180-516-0 0-72180-516-0		1312-1403 1404-	04 04	A AB	M5X16 TAPPING M5X16 TAPPING
81		METER SUB ASM 8-98270-281-0 8-98270-281-0 8-98270-281-0 8-98226-905-0 8-98226-905-0		1402-1403 1404- 1404- 1312-1401 1402-	01 01 01 01 01	A A B A A	PARKING BRAKE - BRAKE LOCK(6LL) PARKING BRAKE - BRAKE LOCK(6LL) EXC. PARKING BRAKE - BRAKE LOCK(6LL)
110		GLASS; CLUSTER METER 8-98054-431-0 8-98054-431-0		1312-1403 1404-	01 01	A AB	
480		COVER; METER 8-98054-433-0 8-98054-433-0		1312-1403 1404-	01 01	A AB	BLACK BLACK
7-40		Move to 7-40					
8-10		Move to 8-10					
8-25		Move to 8-25					







8-25 SWITCH AND RELAY; INSTRUMENT PANEL
 RELAY; CAB HARNESS



	KEY NO.	RELAY NAME		KEY NO.	RELAY NAME
(AA)	8-28	STOP LAMP	(AM)	8-10	HEAD LAMP(LOW)
(AB)	317	BLOWER MOTOR, HEATER	(AN)	—	—
(AC)	610 A)	KEY ON	(AO)	8-10	HEAD LAMP(HI)
(AD)	—	—	(AP)	8-10	TAIL
(AE)	—	—	(AQ)	606	PTO MAIN
(AF)	8-10	WIPER MAIN	(AR)	606	PTO CUT
(AG)	8-10	HORN	(AS)	610 B)	ACC MAIN
(AH)	8-10	WIPER(HI/LOW)	(AT)	595	IGNITION
(AI)	—	—	(AU)	8-28	TRAILER STOP
(AJ)	—	—	(AV)	8-28	BRAKE LOCK
(AK)	—	—	(AW)	8-28	BRAKE LOCK
(AL)	—	—			

SWITCH AND RELAY; INSTRUMENT PANEL

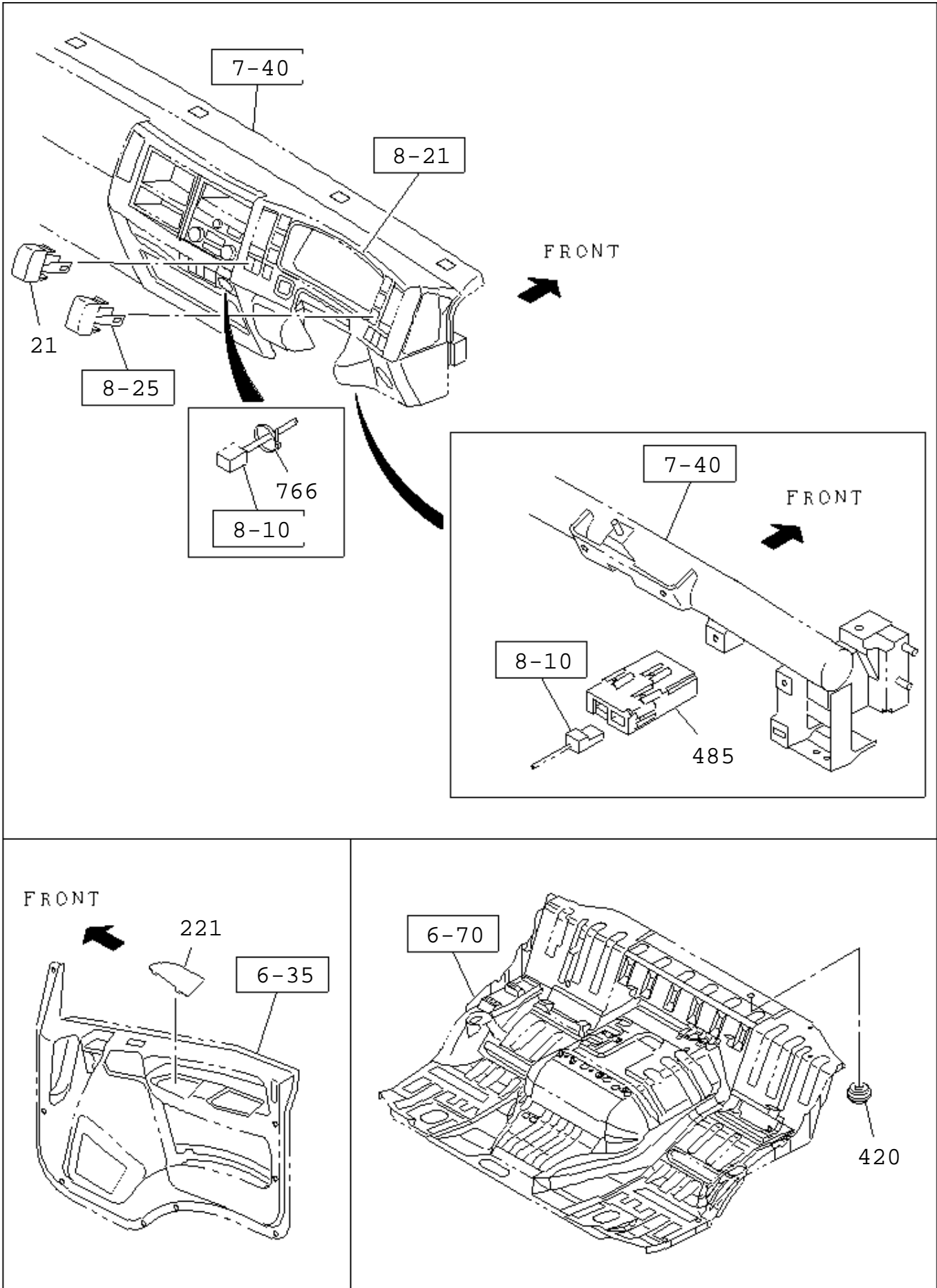
KEY	R / C	PART NAME PART NUMBER	I T C	APPLIED DATE	Qty	APPLIED MODEL	RESTRICTION/REMARKS	
							A	B
1		SWITCH; COMB 8-98243-704-0		1312-1403	01	A		A FVZ WIDE CAB(FGZ5MV)
		8-98243-704-0		1404-	01	AB		B GVZ WIDE CAB(GGZ5MV)
3		SCREW; COMB SW 8-98061-743-0		1312-1403	02	A		
		8-98061-743-0		1404-	02	AB		M5X20 W/PL WASHER&TORQUES
21		SWITCH; CLU 8-94337-761-0		1312-	01	A		M5X20 W/PL WASHER&TORQUES
		8-97358-248-0		1312-1403	01	A		PTO ZF TRANS RR(BDM)
		8-97358-248-0		1404-	01	A		EXC. PTO ZF TRANS RR(BDM)
		8-97358-248-0		1404-	01	B		EXC. PTO ZF TRANS RR(BDM)
29		SWITCH; DOOR 8-98022-211-0		1312-1403	01	A		
		8-98022-211-0		1404-	01	AB		BLACK IDN
30		SCREW; DOOR SW 8-98047-201-0		1312-1403	01	A		BLACK IDN
		8-98047-201-0		1404-	01	AB		M5X18 IDN
77		SWITCH; PTO 8-97615-488-2		1312-	01	A		M5X18 IDN
104		COVER; SW HOLE,FOG LAMP 8-98025-954-1		1312-1403	01	A		PTO ZF TRANS RR(BDM)
		8-98025-954-1		1404-	01	AB		
249		SWITCH; HAZARD 8-97948-258-0		1312-1403	01	A		
		8-97948-258-0		1404-	01	AB		IDN
253		COVER; SW HOLE 8-98025-954-1		1312-1401	01	A		IDN
		8-98025-954-1		1402-1403	01	A		EXC. PARKING BRAKE - BRAKE LOCK(6LL)
		8-98025-954-1		1404-	01	A		EXC. PARKING BRAKE - BRAKE LOCK(6LL)
		8-98025-954-1		1404-	01	B		
		8-98025-954-1		1312-1403	02	A		
257		COVER; HOLE,SW 8-98025-954-1		1404-	02	AB		
		8-98025-954-1		1312-1403	02	A		(C)
		8-98025-954-1		1404-	02	AB		(C)
		8-98025-954-1		1312-1403	07	A		(C)
		8-98025-954-1		1404-	07	AB		(C)
		8-98029-914-1		1312-1403	01	A		(C)
		8-98029-914-1		1404-	01	AB		(B) IDN
		8-98029-917-0		1312-1403	01	A		(B) IDN
		8-98029-917-0		1404-	01	AB		(D) IDN
		8-98070-401-2		1312-1403	01	A		(D) IDN
		8-98070-401-2		1404-	01	AB		(A)
		8-98025-954-1		1312-1403	01	A		(A)
		8-98025-954-1		1404-	01	A		EXC. PTO ZF TRANS RR(BDM)
								(C)
								EXC. PTO ZF TRANS RR(BDM)
								(C)

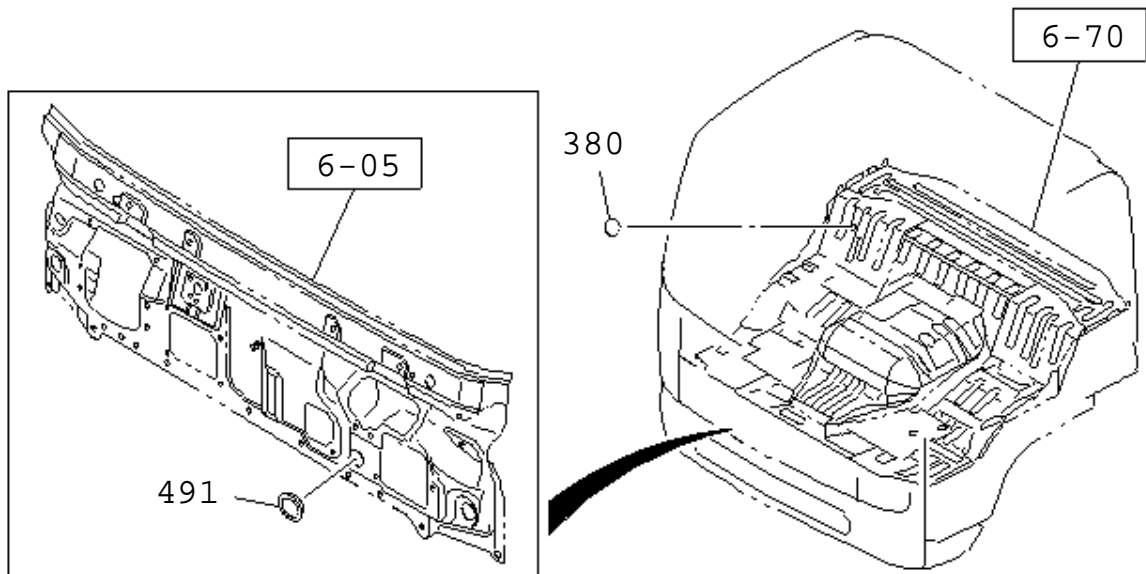
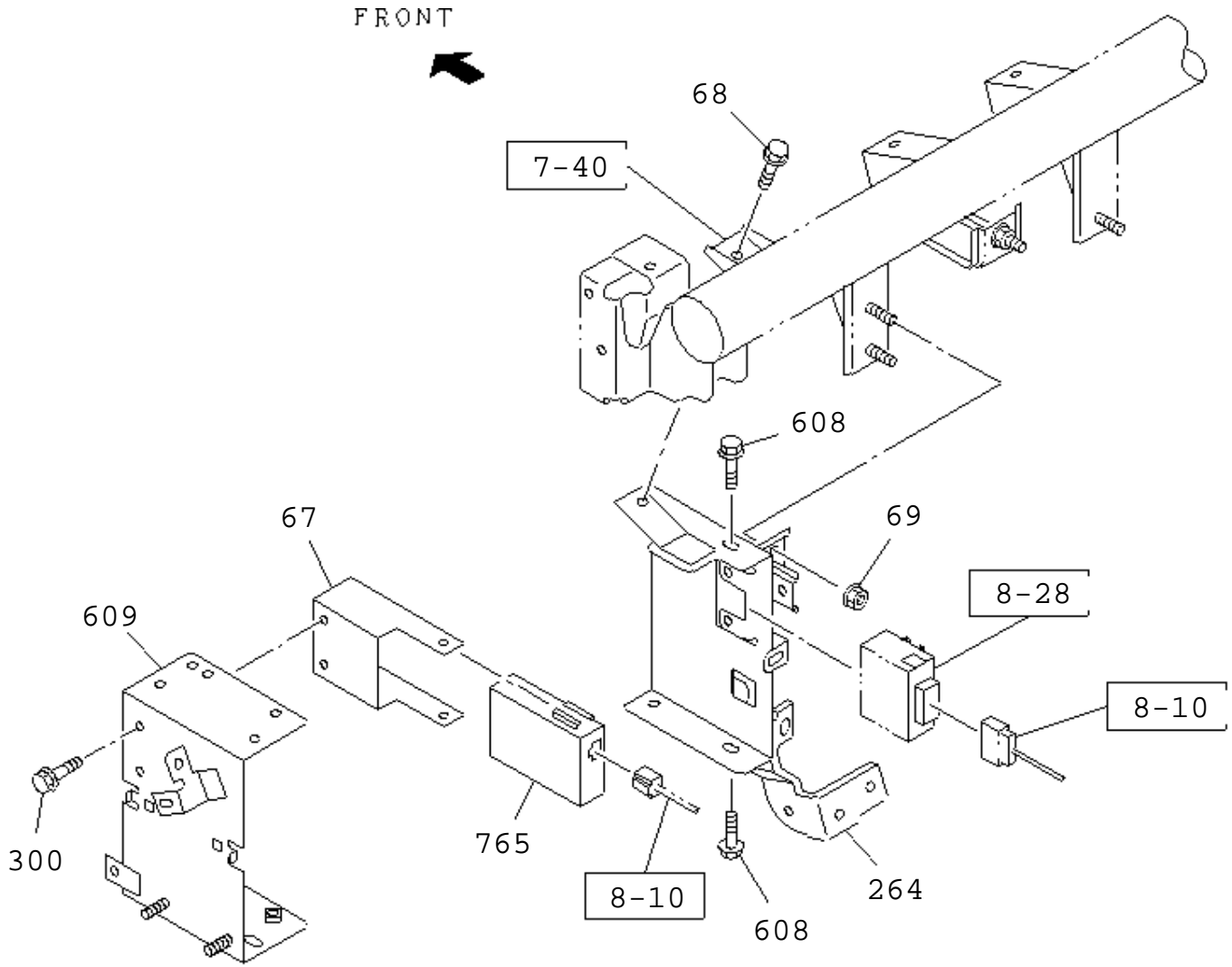
8-25

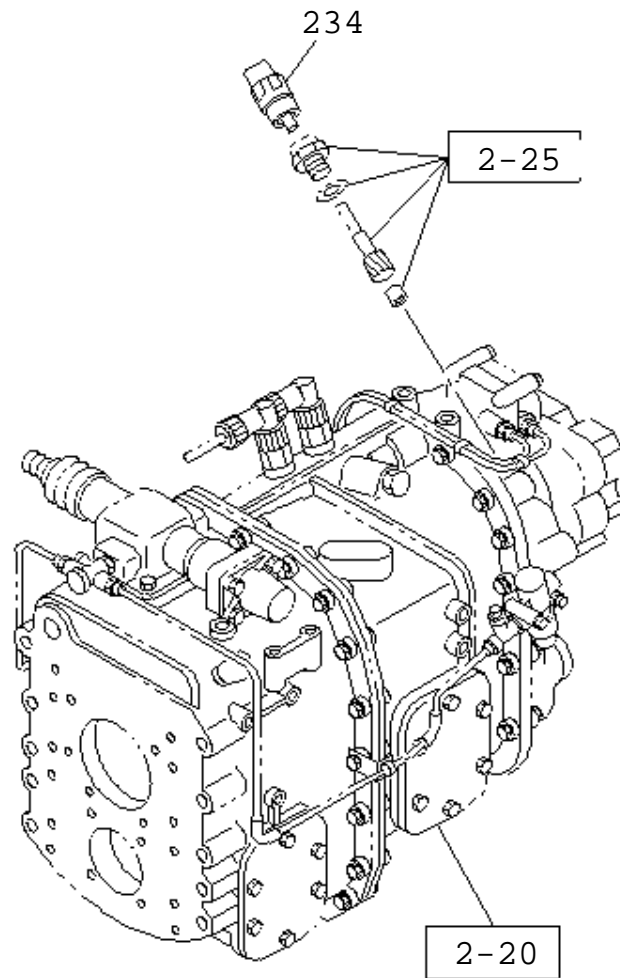
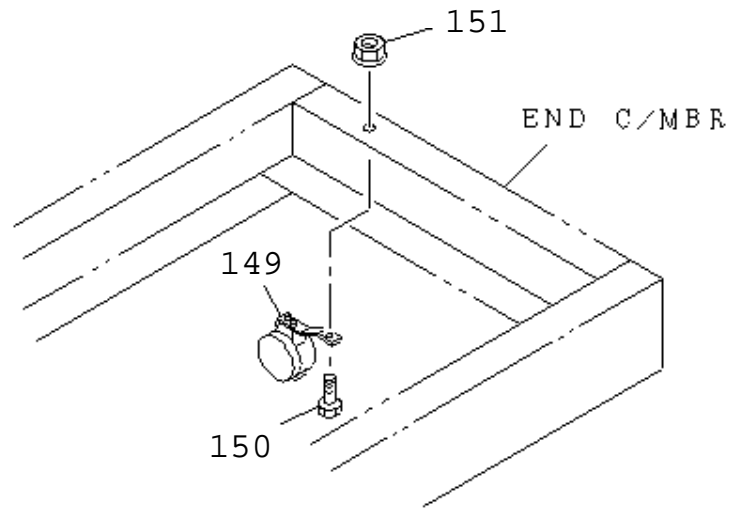
SWITCH AND RELAY; INSTRUMENT PANEL

KEY	R / C	PART NAME PART NUMBER	I T C	APPLIED DATE	Qty	APPLIED MODEL	RESTRICTION/REMARKS
							A FVZ WIDE CAB(FGZ5MV) B GVZ WIDE CAB(GGZ5MV)
257		8-98025-954-1		1404-	01	B	(C)
317		RELAY; BLOWER MOTOR,HTR 8-97262-933-0		1312-1403	01	A	24V 12.5A MATSUSHITA
		8-97262-933-0		1404-	01	AB	24V 12.5A MATSUSHITA
352		SWITCH ASM; BRK LK 8-98011-341-1		1402-	01	A	PARKING BRAKE - BRAKE LOCK(6LL)
359		SWITCH; TRAILER BRAKE 8-98010-857-0		1404-	01	B	
360		SWITCH ASM; DIFF LK 8-97613-964-1		1312-1403	01	A	
		8-97613-964-1		1404-	01	AB	
595		RELAY; IGNITION 8-97173-035-1		1312-1403	01	A	24V 10A MATSUSHITA IDN
		8-97173-035-1		1404-	01	AB	24V 10A MATSUSHITA IDN
606		RELAY; PTO MAIN 8-97173-035-1		1312-	01	A	PTO ZF TRANS RR(BDM) 24V 10A MATSUSHITA IDN
		8-97173-035-1		1312-	01	A	PTO ZF TRANS RR(BDM) 24V 10A MATSUSHITA IDN
610		RELAY; KEY ON 8-97173-035-1		1312-1403	01	A	(B) 24V 10A MATSUSHITA IDN
		8-97173-035-1		1404-	01	AB	(B) 24V 10A MATSUSHITA IDN
		8-97262-933-0		1312-1403	01	A	(A) 24V 12.5A MATSUSHITA
		8-97262-933-0		1404-	01	AB	(A) 24V 12.5A MATSUSHITA
2-03		Move to 2-03					
3-10		Move to 3-10					
8-10		Move to 8-10					
3-77		Move to 3-77					
7-50		Move to 7-50					
6-20		Move to 6-20					
8-28		Move to 8-28					

8-26 ELECTRICAL CONTROL AND OTHER PARTS
CONTROL UNIT; SPEED SENSOR



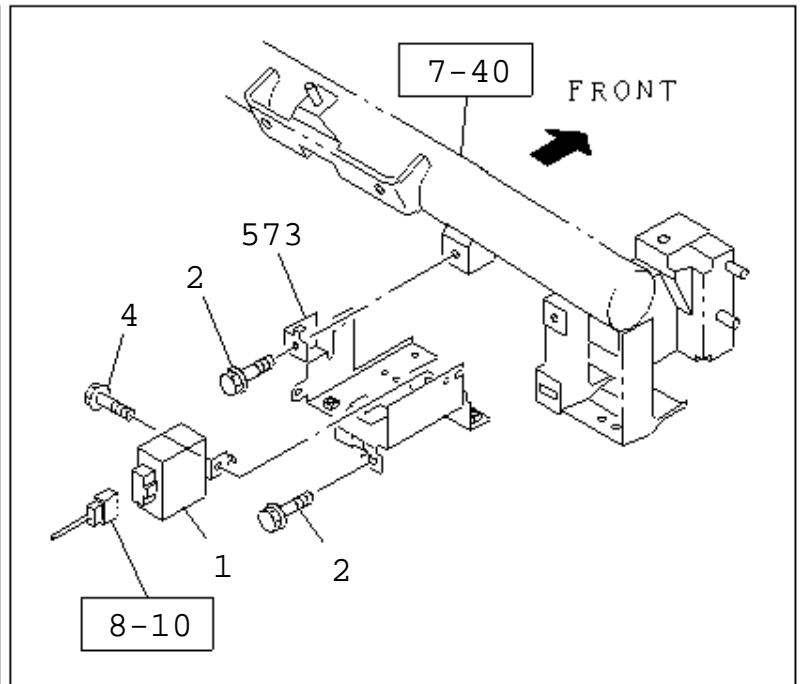
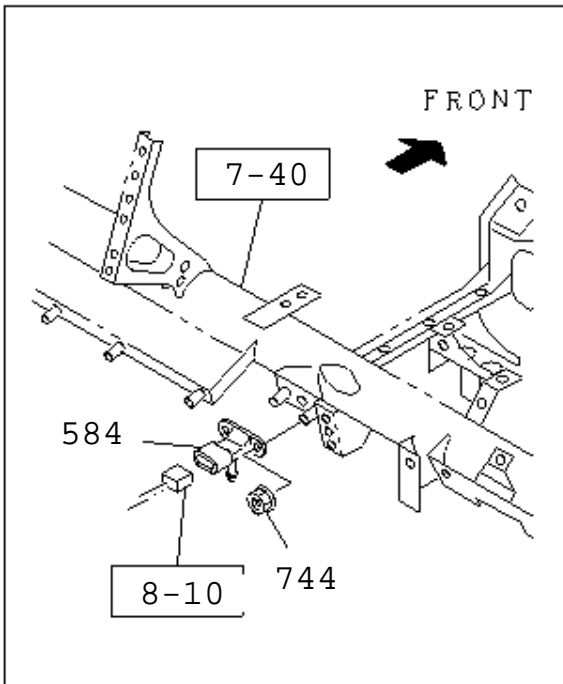
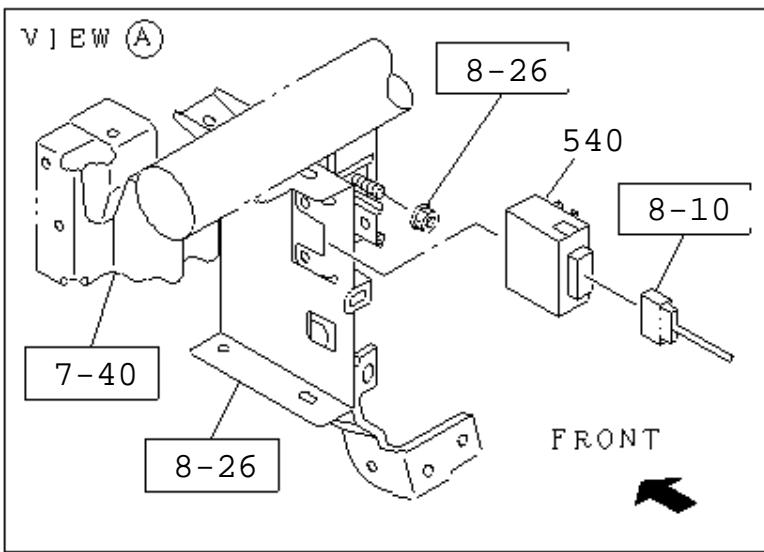
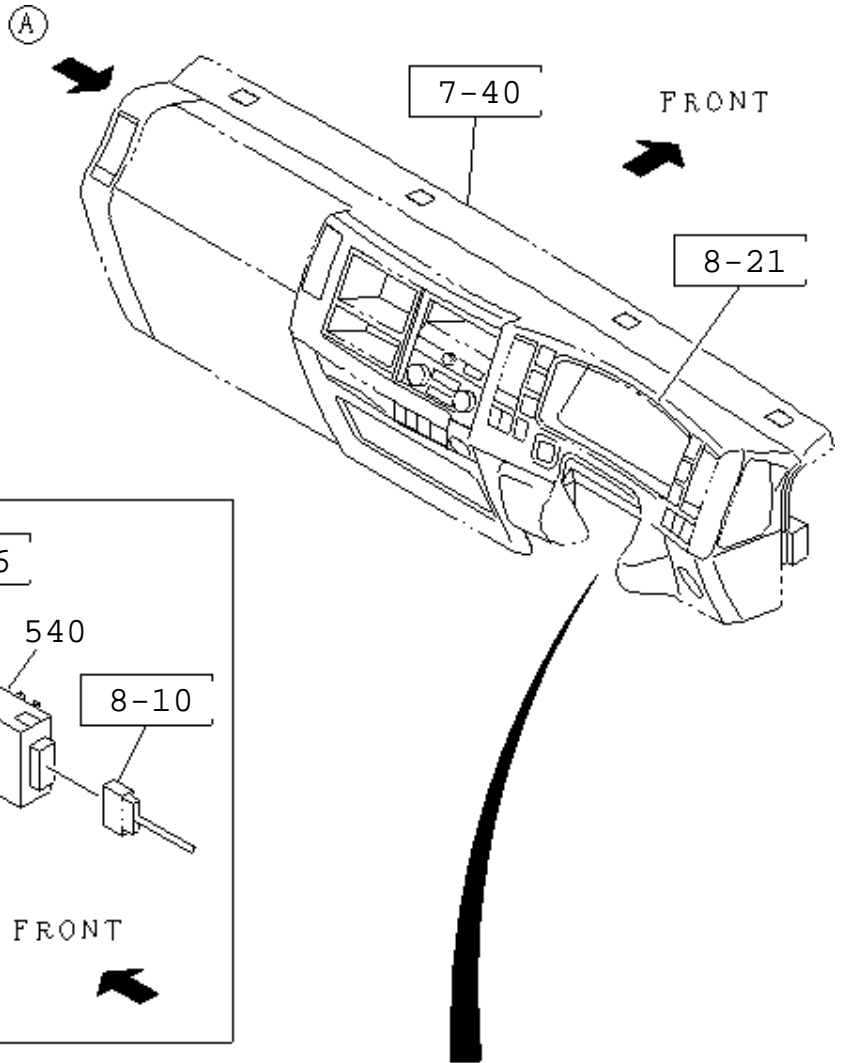




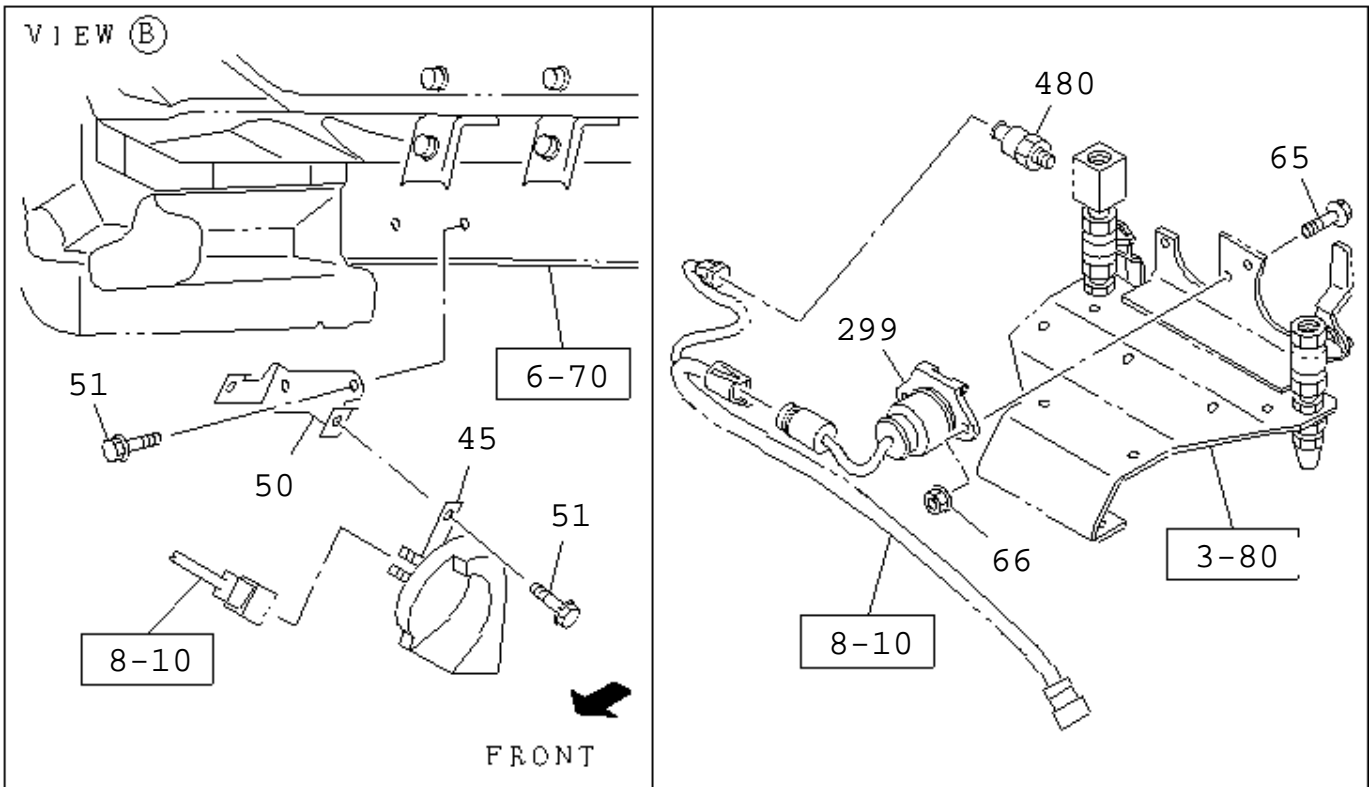
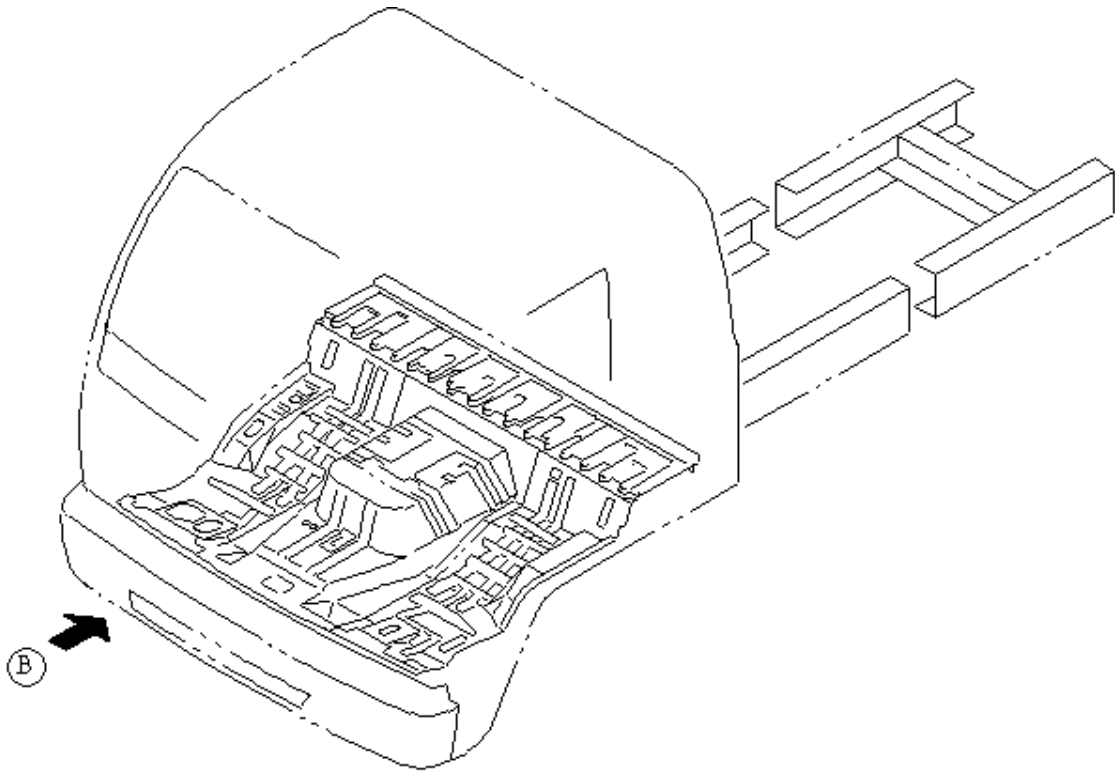
KEY	R / C	PART NAME PART NUMBER	I T C	APPLIED DATE	L / R	Qty	APPLIED MODEL	RESTRICTION/REMARKS
								A FVZ WIDE CAB(FGZ5MV) B GVZ WIDE CAB(GGZ5MV)
21		COVER; HOLE 8-98025-954-1		1312-1403		01	A	
		8-98025-954-1		1404-		01	AB	
67		BRACKET; CONT UNIT 8-98048-743-1		1402-		01	A	PARKING BRAKE - BRAKE LOCK(6LL)
68		BOLT; BRKT 0-28650-616-0		1312-1403		01	A	
		0-28650-616-0		1404-		01	AB	M6X16 FLANGE
								M6X16 FLANGE
69		NUT; BRKT 0-91180-106-0		1312-1403		01	A	
		0-91180-106-0		1404-		01	AB	M6 FLANGE
								M6 FLANGE
149		BUZZER; BRK LK 1-83460-104-0		1402-		01	A	PARKING BRAKE - BRAKE LOCK(6LL)
150		BOLT; BUZZER BRK LK 0-28651-030-0		1402-		01	A	PARKING BRAKE - BRAKE LOCK(6LL) M10X30 FLANGE
151		NUT; BUZZER BRK LK 0-91180-210-0		1402-		01	A	PARKING BRAKE - BRAKE LOCK(6LL) M10 FLANGE
221		COVER; HOLE, DOOR LOCK SW 8-98029-915-2		1312-1403	R	01	A	IDN
		8-98029-915-2		1404-	R	01	AB	IDN
		8-98029-916-2		1312-1403	L	01	A	IDN
		8-98029-916-2		1404-	L	01	AB	IDN
234		SENSOR; VEHICLE SPD 8-97328-058-1		1312-1403		01	A	FULLER ES11109 DD M/T(Y5N) 25 PULSE ALUMINUM
		8-97328-058-1		1404-		01	AB	FULLER ES11109 DD M/T(Y5N) 25 PULSE ALUMINUM
264		BRACKET; CONT UNIT 8-98249-082-1		1404-		01	B	EXC. VIN MODEL YEAR 2014<VZE>
		8-98246-453-0		1312-1403		01	A	
		8-98246-453-0		1404-		01	A	
		8-98246-453-0		1404-		01	B	VIN MODEL YEAR 2014<VZE>
300		BOLT; CONT UNIT BRKT 0-28650-616-0		1402-		02	A	PARKING BRAKE - BRAKE LOCK(6LL) M6X16 FLANGE
380		SEAL 1-76798-019-0		1312-1403		01	A	OD=25 BLACK
		1-76798-019-0		1404-		01	AB	OD=25 BLACK
420		PLUG; SWITCH 8-94122-971-0		1312-1403		01	A	OD=35 IDN
		8-94122-971-0		1404-		01	AB	OD=35 IDN
485		CONTROL UNIT; SPEED SENSOR 1-80190-063-0		1312-		01	A	ZF9S1110 DD M/T(Y5P)
491		PLUG; HOLE, CONT UNIT 8-98054-651-0		1312-1403		01	A	IDN
		8-98054-651-0		1404-		01	AB	IDN
608		BOLT; CONT UNIT, AIR SUS 0-28650-616-0		1402-1403		05	A	PARKING BRAKE - BRAKE LOCK(6LL) M6X16 FLANGE
		0-28650-616-0		1404-		05	A	PARKING BRAKE - BRAKE LOCK(6LL) M6X16 FLANGE
		0-28650-616-0		1404-		05	B	M6X16 FLANGE
609		BRACKET ASM; ELEC UNIT, AIR SUS 8-98250-445-0		1402-1403		01	A	PARKING BRAKE - BRAKE LOCK(6LL)
		8-98250-445-0		1404-		01	A	PARKING BRAKE - BRAKE LOCK(6LL)

ELECTRICAL CONTROL AND OTHER PARTS

KEY	R / C	PART NAME PART NUMBER	I T C	APPLIED DATE	L / R	Qty	APPLIED MODEL	RESTRICTION/REMARKS
								A FVZ WIDE CAB(FGZ5MV) B GVZ WIDE CAB(GGZ5MV)
609		8-98250-445-0		1404-		01	B	
765		CONTROL UNIT; BRAKE LOCK						
		1-82550-315-0		1402-		01	A	PARKING BRAKE - BRAKE LOCK(6LL)
766		BAND; CLIP						
		5-09707-031-1		1312-1403		01	A	L=140 IDN
		5-09707-031-1		1404-		01	AB	L=140 IDN
6-35		Move to 6-35						
6-70		Move to 6-70						
7-40		Move to 7-40						
8-10		Move to 8-10						
8-21		Move to 8-21						
8-25		Move to 8-25						
6-05		Move to 6-05						
8-28		Move to 8-28						
2-20		Move to 2-20						
		Move to 2-20						
2-25		Move to 2-25						
		Move to 2-25						



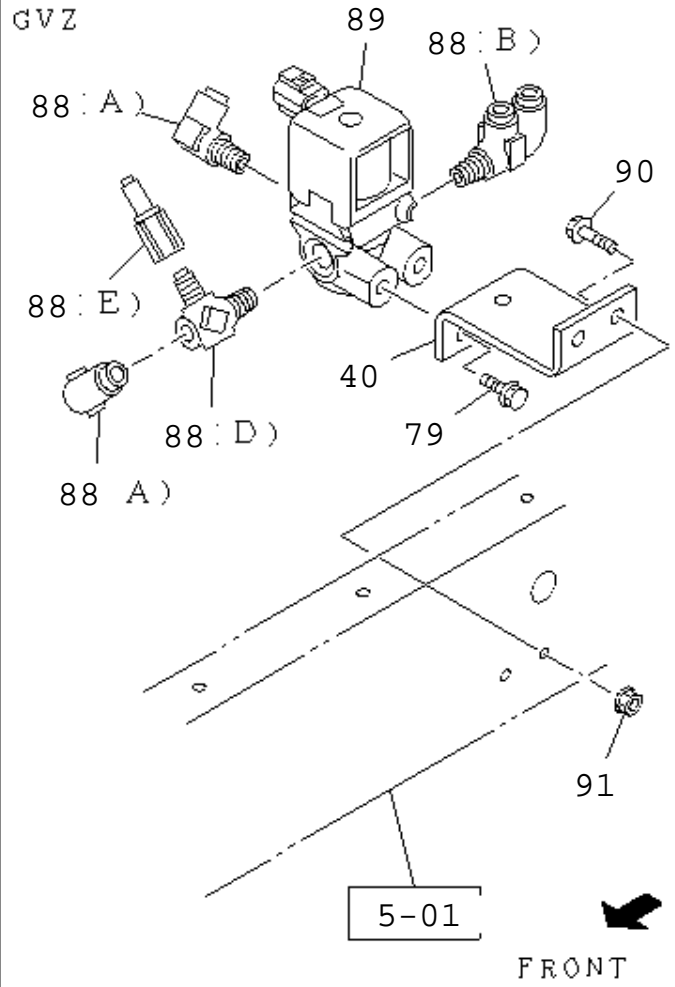
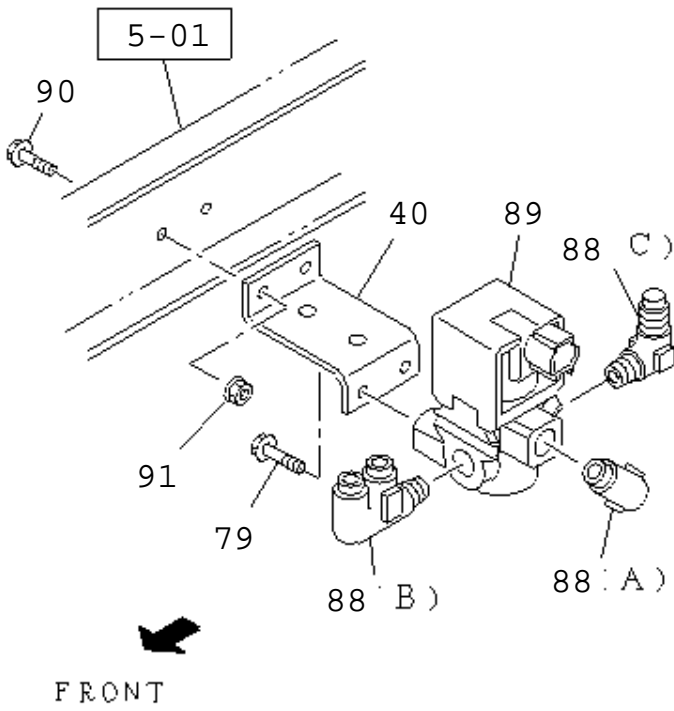
8-28 CHASSIS ELECTRICAL
 CAB SIDE AND CAB RR MTG MEMBER SIDE



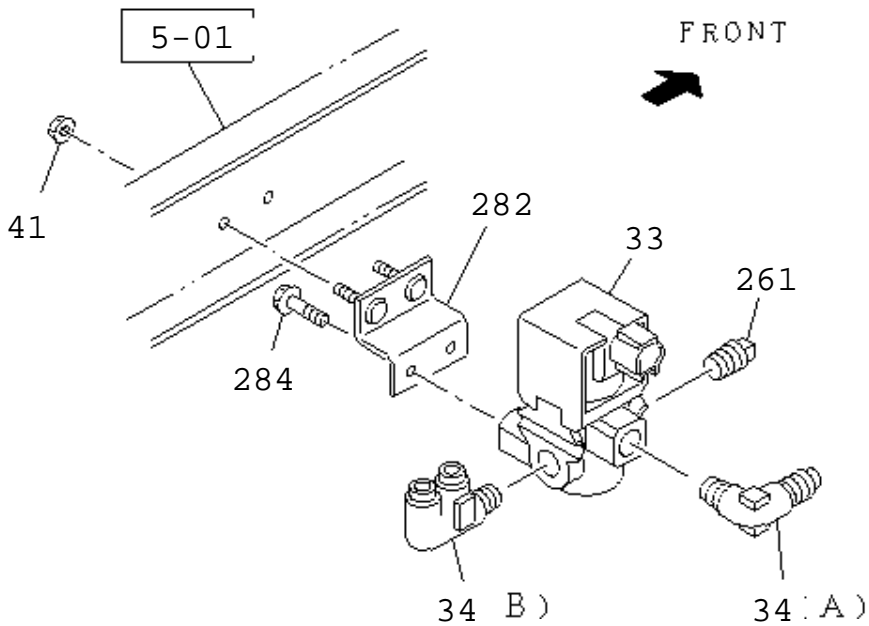
8-28 CHASSIS ELECTRICAL

VALVE; DEFF LK, PTO

DIFF LK
FVZ

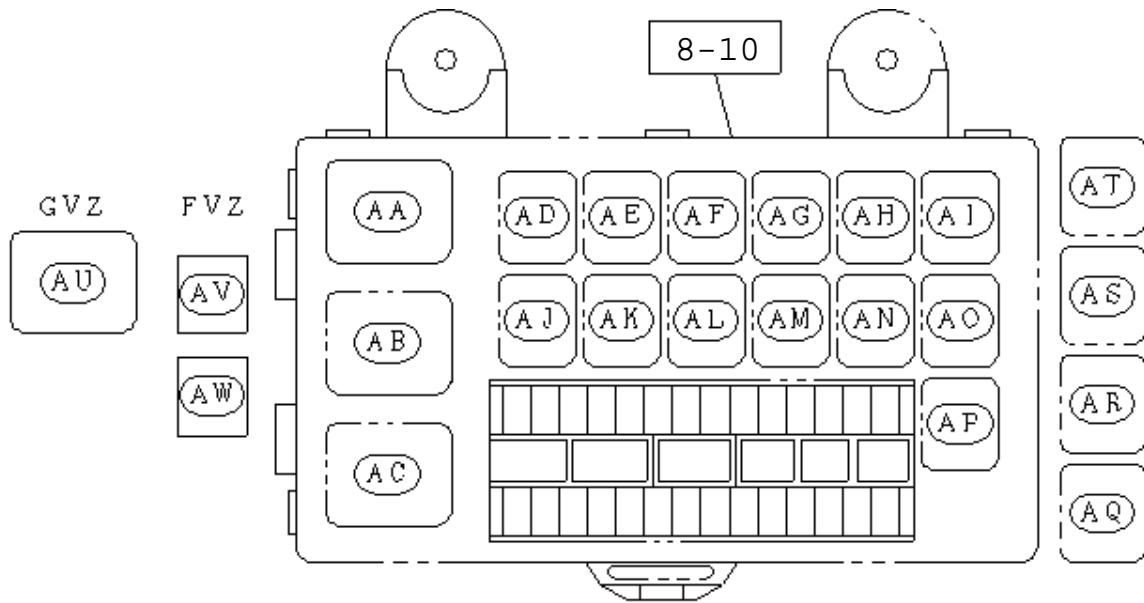


PTO

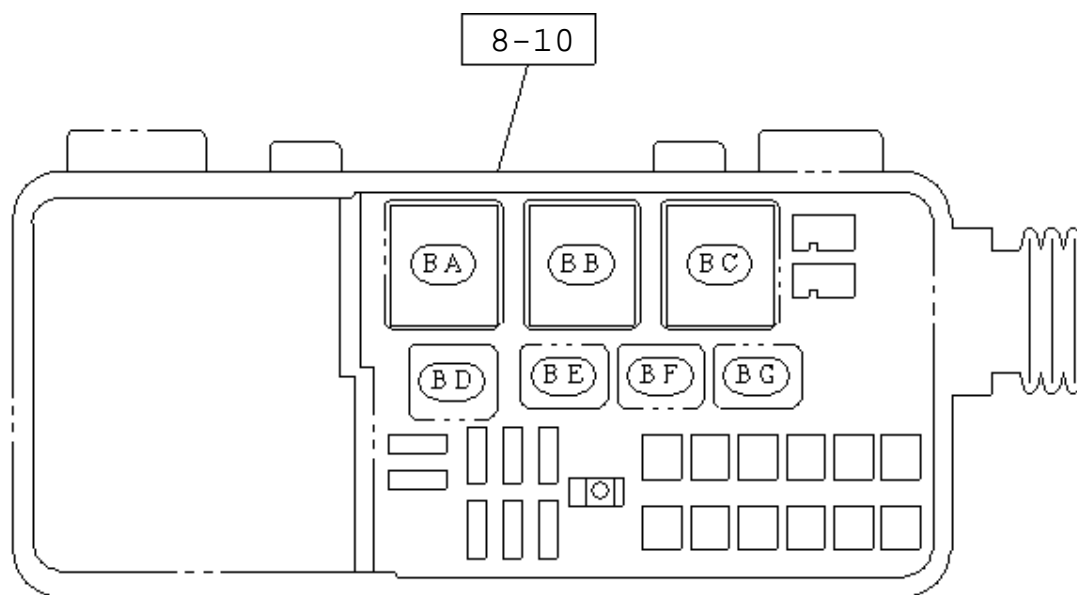


8-28 CHASSIS ELECTRICAL

RELAY; CAB HARNESS



	KEY NO.	RELAY NAME		KEY NO.	RELAY NAME
(AA)	22	STOP LAMP	(AM)	8-10	HEAD LAMP(LOW)
(AB)	8-25	BLOWER MOTOR, HEATER	(AN)	—	—
(AC)	8-25	KEY ON	(AO)	8-10	HEAD LAMP(HI)
(AD)	—	—	(AP)	8-10	TAIL
(AE)	—	—	(AQ)	8-25	PTO MAIN
(AF)	8-10	WIPER MAIN	(AR)	8-25	PTO CUT
(AG)	8-10	HORN	(AS)	8-25	ACC MAIN
(AH)	8-10	WIPER(HI/LOW)	(AT)	8-25	IGNITION
(AI)	—	—	(AU)	754	TRAILER STOP
(AJ)	—	—	(AV)	349	BRAKE LOCK
(AK)	—	—	(AW)	349	BRAKE LOCK
(AL)	—	—			



	KEY NO.	RELAY NAME
(BA)	—	—
(BB)	531	MAIN
(BC)	—	—
(BD)	—	—
(BE)	—	—
(BF)	0-60	STARTER
(BG)	—	—

KEY	R / C	PART NAME PART NUMBER	I T C	APPLIED DATE	Qty	APPLIED MODEL	RESTRICTION/REMARKS
							A FVZ WIDE CAB (FGZ5MV) B GVZ WIDE CAB (GGZ5MV)
1	B	UNIT; FLASHER 8-98025-533-1		1312-	01	A	
		8-97613-970-1		1404-	01	B	
2		BOLT; FLASHER UNIT 0-28650-616-0		1312-1403	02	A	
		0-28650-616-0		1404-	02	AB	M6X16 FLANGE
4		SCREW; FLASHER UNIT 0-28650-616-0		1312-1403	01	A	
		0-28650-616-0		1404-	01	AB	M6X16 FLANGE
22		RELAY; STOP LAMP 8-97262-933-0		1312-1403	01	A	
		8-97262-933-0		1404-	01	AB	24V 12.5A MATSUSHITA
33		VALVE; MAG,PTO CONT 8-97948-152-0		1312-	01	A	24V 12.5A MATSUSHITA
34		CONNECTOR; MAG VLV, INL PORT 1-09650-430-0		1312-	01	A	ZF9S1110 DD M/T(Y5P) PTO CONTROL<SV6> IDN
		8-98179-708-0		1312-	01	A	ZF9S1110 DD M/T(Y5P) PTO CONTROL<SV6> (A) M12 & PT1/4 ELBOW ZF9S1110 DD M/T(Y5P) PTO CONTROL<SV6> (B)
40		BRACKET; MAG VLV 8-98154-633-0		1312-1403	01	A	
		8-98154-633-0		1404-	01	AB	
41		NUT; BRKT, MAG VLV 0-91180-108-0		1312-	02	A	ZF9S1110 DD M/T(Y5P) PTO CONTROL<SV6> M8 FLANGE
45		HORN; LOW NOTE 8-98022-023-0		1312-1403	01	A	
		8-98022-023-0		1404-	01	AB	IDN
50		BRACKET; HORN 8-97613-300-2		1312-1403	01	A	
		8-97613-300-2		1404-	01	AB	IDN
51		BOLT; HORN TO BRKT 8-97086-825-0		1312-1403	03	A	
		8-97086-825-0		1404-	03	AB	M8X20 W/LK&PL WASHER IDN
65		BOLT; SOCKET FIX 0-28650-825-0		1404-	02	B	M8X20 W/LK&PL WASHER IDN
66		NUT; SOCKET FIX 0-91180-108-0		1404-	02	B	M8X25 FLANGE IDN
79		BOLT; MAG VLV 0-28650-820-0		1312-1403	02	A	M8 FLANGE
		0-28650-820-0		1404-	02	AB	M8X20 FLANGE IDN
88		CONNECTOR; MAG VLV 1-09656-586-1		1404-	01	B	M8X20 FLANGE IDN (D) M12 & PT1/4 3WAY

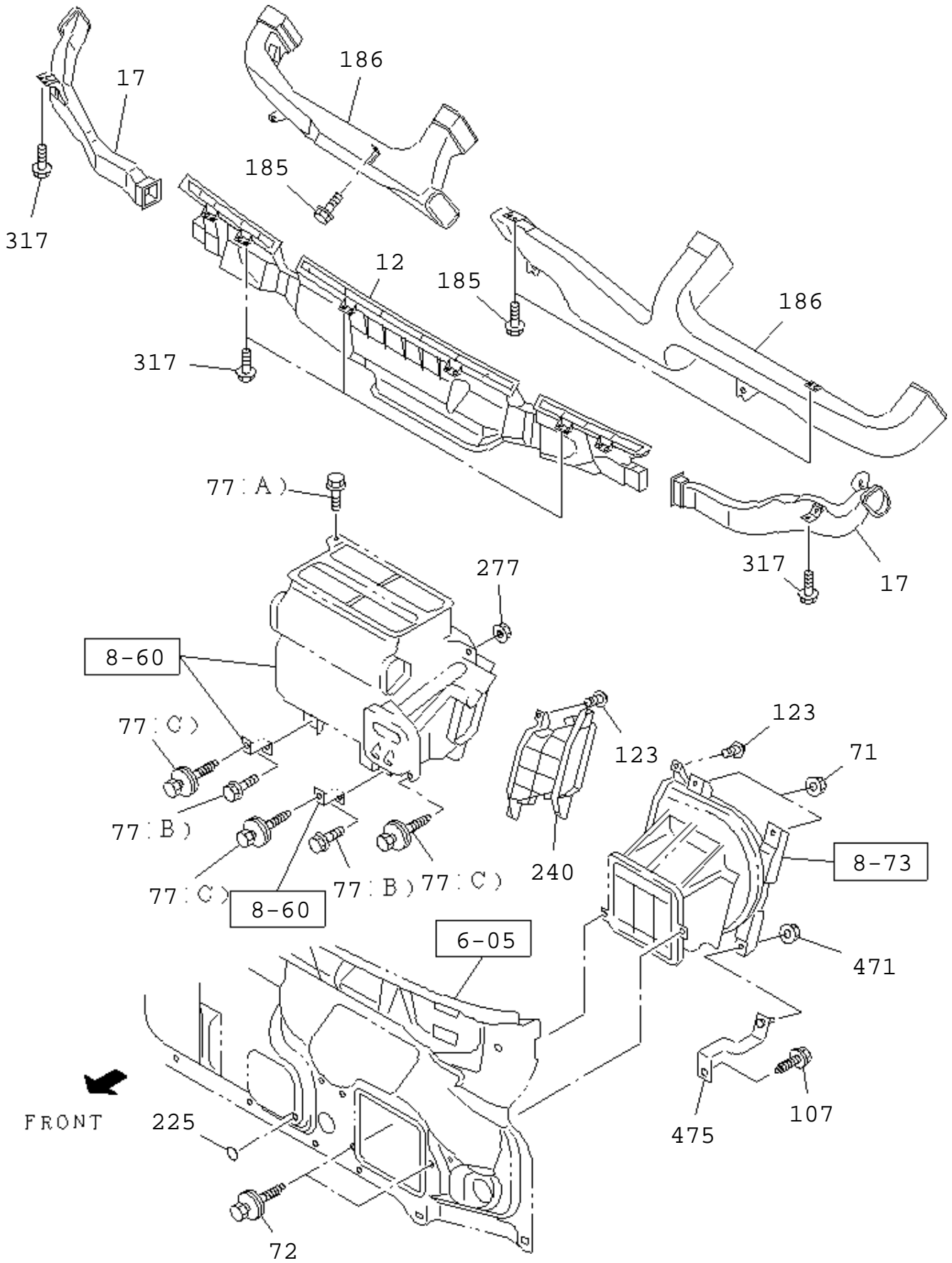
KEY	R / C	PART NAME PART NUMBER	I T C	APPLIED DATE	Qty	APPLIED MODEL	RESTRICTION/REMARKS
							A FVZ WIDE CAB(FGZ5MV) B GVZ WIDE CAB(GGZ5MV)
88		1-09660-956-0		1404-	02	B	(A) DIN8 & R1/4 ELBOW
		1-09661-379-0		1404-	01	B	(E) DIN6 & M12 STRAIGHT
		1-09660-956-0		1312-	01	A	(A) DIN8 & R1/4 ELBOW
		8-98179-708-0		1312-1403	01	A	(B)
		8-98179-708-0		1404-	01	AB	(B)
		1-09661-067-0		1312-	01	A	FULLER ES11109 DD M/T(Y5N) (C)
		1-09650-430-0		1312-	01	A	DIN6 & R1/4 ELBOW ZF9S1110 DD M/T(Y5P) (C) M12 & PT1/4 ELBOW
89		VALVE; MAG,DIFF LOCK 8-97641-594-0		1312-1403	01	A	
		8-97641-594-0		1404-	01	AB	
90		BOLT; MAG VLV 0-28650-835-0		1312-1403	02	A	M8X35 FLANGE
		0-28650-835-0		1404-	02	AB	M8X35 FLANGE
91		NUT; MAG VLV 0-91180-108-0		1312-1403	02	A	M8 FLANGE
		0-91180-108-0		1404-	02	AB	M8 FLANGE
261		PLUG; MAG VLV 9-99204-513-0		1312-	01	A	ZF9S1110 DD M/T(Y5P) PTO CONTROL<SV6> PT1/4
282		BRACKET; MAG VLV 8-98184-201-0		1312-	01	A	ZF9S1110 DD M/T(Y5P) PTO CONTROL<SV6> IDN
284		BOLT; MAG VLV 0-28650-820-0		1312-	02	A	ZF9S1110 DD M/T(Y5P) PTO CONTROL<SV6> M8X20 FLANGE IDN
299		SOCKET; PARKING 1-82523-014-0		1404-	01	B	7P
349		RELAY; BRK LK 8-97173-035-1		1402-	02	A	PARKING BRAKE - BRAKE LOCK(6LL) 24V 10A MATSUSHITA IDN
480		SWITCH; TRAILER COCK 8-98010-858-0		1404-	01	B	STAMP 2.2
531		RELAY; MAIN 8-97238-540-0	C	1312-1402	01	A	24V 30A JIDECO
		8-98259-779-0		1403-1403	01	A	24V 30A MITSUBA
		8-98259-779-0		1404-	01	AB	24V 30A MITSUBA
540		RELAY; WIPER INTERVAL 8-98233-976-0		1312-1403	01	A	
		8-98233-976-0		1404-	01	AB	
573		BRACKET; FLASHER UNIT 8-98246-458-0		1312-1403	01	A	
		8-98246-458-0		1404-	01	AB	
584		SENSOR; PRESSURE 8-98020-514-0		1312-1403	01	A	
		8-98020-514-0		1404-	01	AB	
744		NUT; SENSOR 0-91180-106-0		1312-1403	02	A	M6 FLANGE

8-28

CHASSIS ELECTRICAL

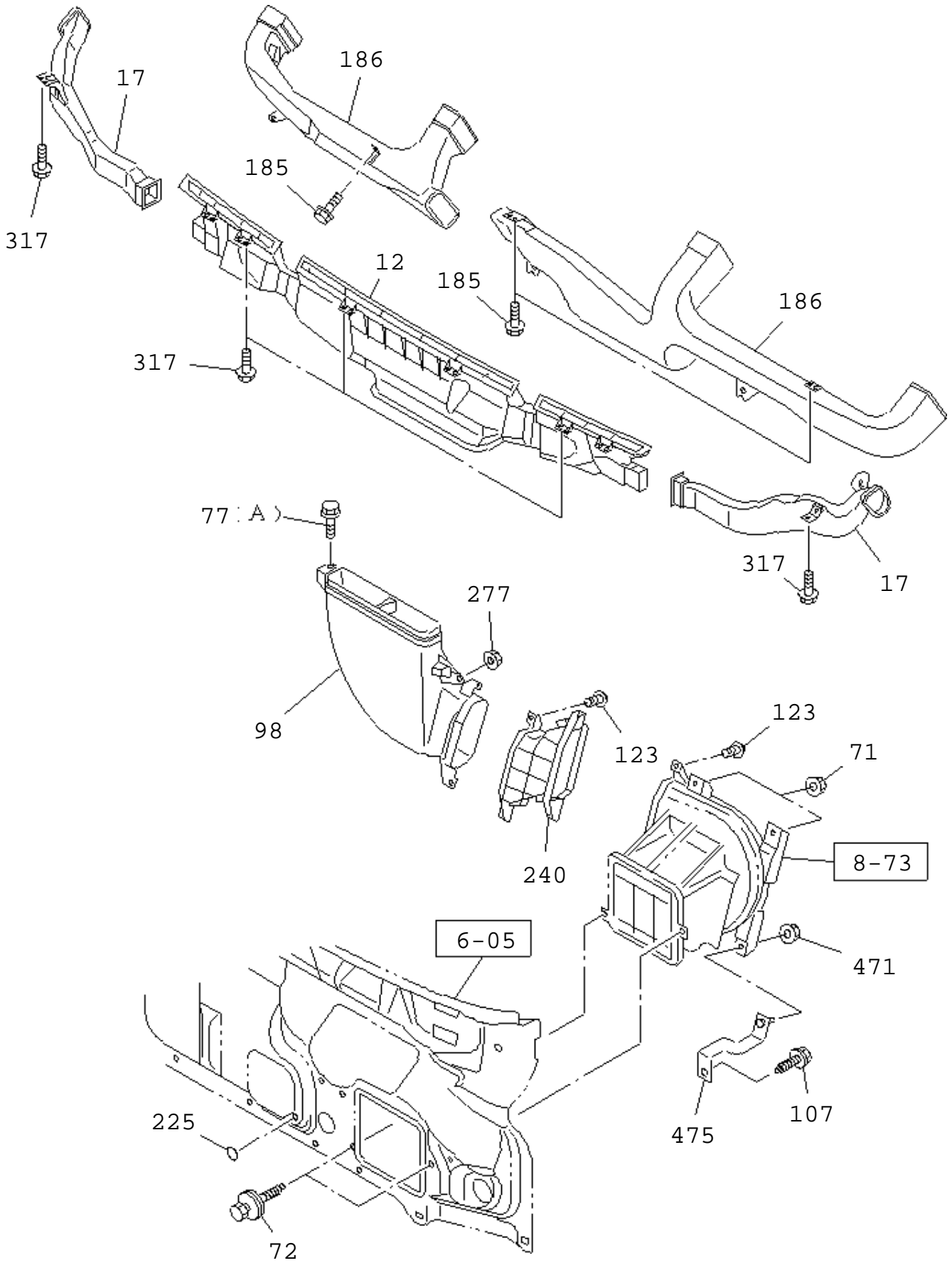
KEY	R / C	PART NAME PART NUMBER	I T C	APPLIED DATE	Qty	APPLIED MODEL	RESTRICTION/REMARKS
							A FVZ WIDE CAB (FGZ5MV) B GVZ WIDE CAB (GGZ5MV)
744		0-91180-106-0		1404-	02	AB	
754		RELAY; TRAILER STOP 8-97262-933-0		1404-	01	B	M6 FLANGE
7-40		Move to 7-40					
8-10		Move to 8-10					
8-21		Move to 8-21					
8-26		Move to 8-26					
3-80		Move to 3-80					
6-70		Move to 6-70					
5-01		Move to 5-01					
8-25		Move to 8-25					
0-60		Move to 0-60					24V 12.5A MATSUSHITA

8-40 HEATER SYSTEM
 DUCT;EXC.VIN MODEL YEAR 2014

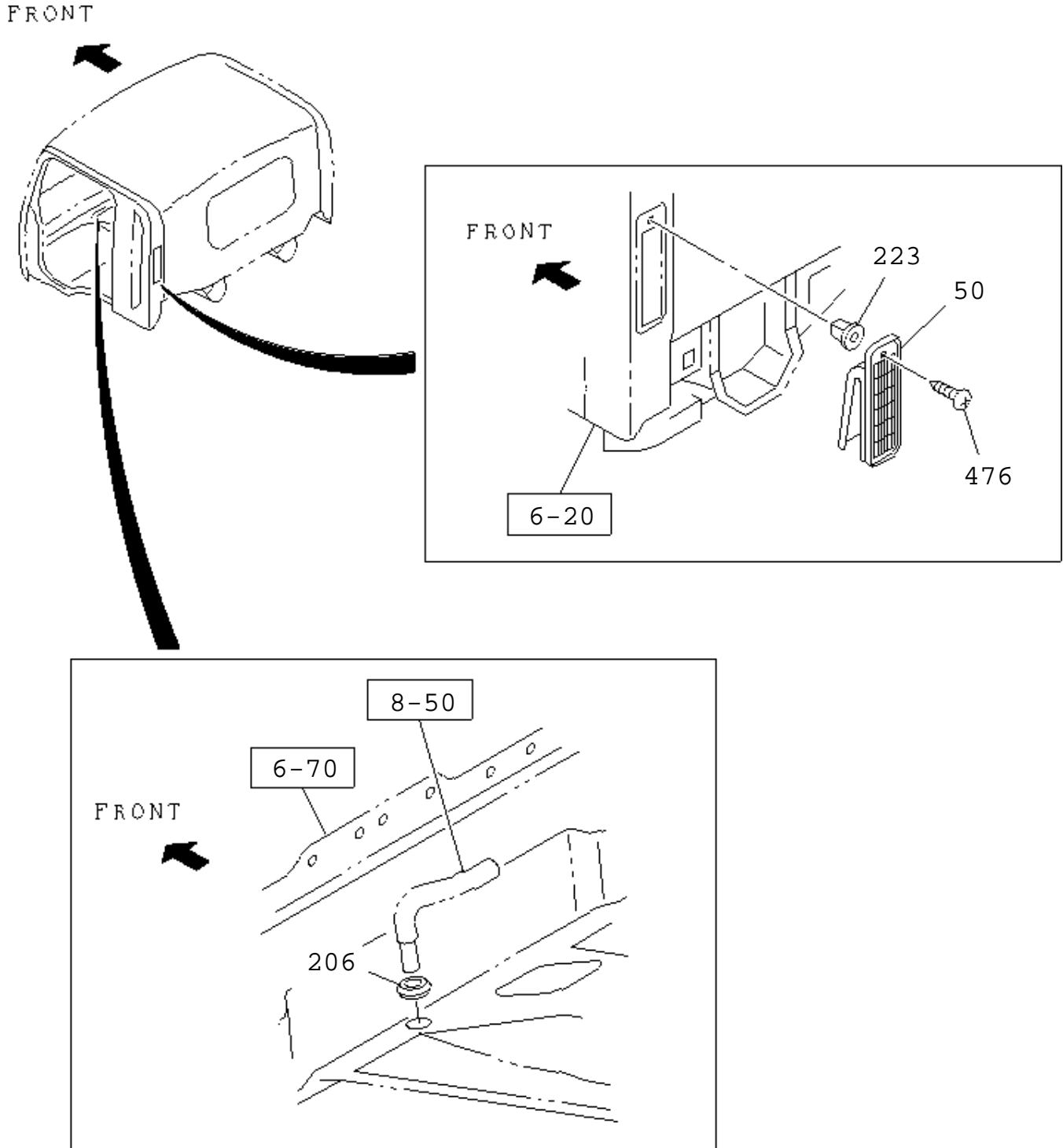


8-40 HEATER SYSTEM

DUCT;VIN MODEL YEAR 2014



8-40 HEATER SYSTEM
OTHER PARTS



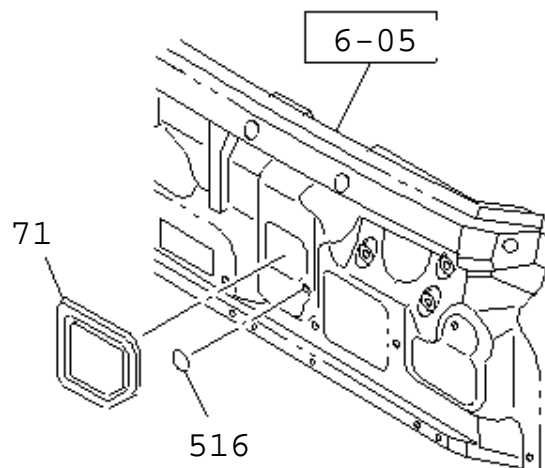
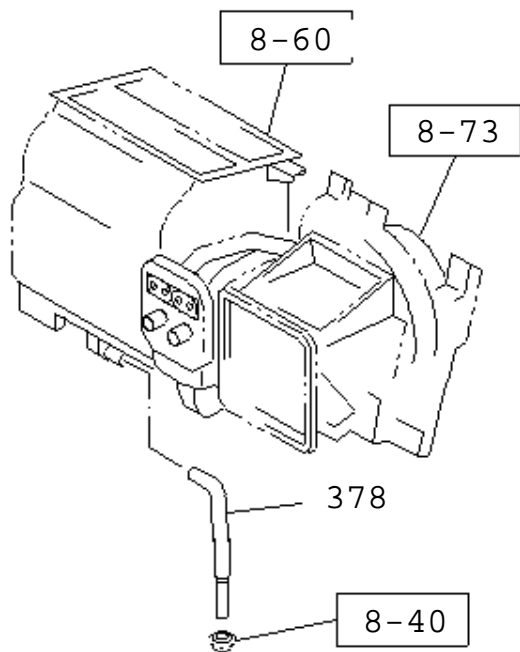
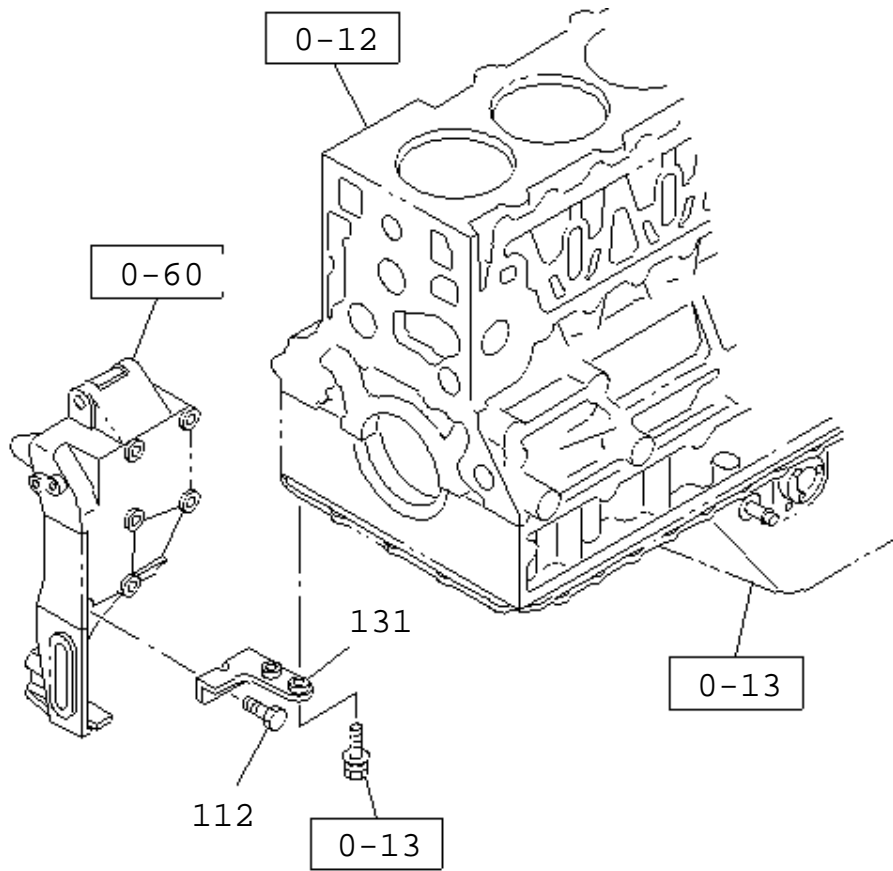
HEATER SYSTEM

KEY	R / C	PART NAME PART NUMBER	I T C	APPLIED DATE	L / R	Qty	APPLIED MODEL	RESTRICTION/REMARKS	
								A	B
107		8-98018-439-0		1404-		01	AB	A FVZ WIDE CAB(FGZ5MV)	B GVZ WIDE CAB(GGZ5MV)
123		SCREW; DUCT 0-72180-516-0		1312-1403		04	A	VENTILATOR & DEFROSTER WO/HEATER<	M8X25 W/LK&PL WASHER
		0-72180-516-0		1404-		04	AB	VENTILATOR & DEFROSTER WO/HEATER<	M5X16 TAPPING
185		SCREW; VENT DUCT 0-72180-516-0		1312-1403		04	A	VENTILATOR & DEFROSTER WO/HEATER<	M5X16 TAPPING
		0-72180-516-0		1404-		04	AB	VENTILATOR & DEFROSTER WO/HEATER<	M5X16 TAPPING
186		DUCT; VENTILATOR 8-97585-489-4		1312-1403	L	01	A	VENTILATOR & DEFROSTER WO/HEATER<	
		8-97585-489-4		1404-	L	01	AB	VENTILATOR & DEFROSTER WO/HEATER<	
		8-98174-737-0		1312-1403	R	01	A	VENTILATOR & DEFROSTER WO/HEATER<	
		8-98174-737-0		1404-	R	01	AB	VENTILATOR & DEFROSTER WO/HEATER<	
206		GROMMET; A/C PIPE TO BLOWER UNIT 8-98019-649-0		1312-1401		01	A	VENTILATOR & DEFROSTER WO/HEATER<	IDN
		8-98019-649-0		1402-1403		01	A	VENTILATOR & DEFROSTER WO/HEATER<	EXC. VIN MODEL YEAR 2014<VZE>
		8-98019-649-0		1404-		01	AB	VENTILATOR & DEFROSTER WO/HEATER<	EXC. VIN MODEL YEAR 2014<VZE>
223		GROMMET; SCREW 8-94441-539-0		1312-1403		01	A	D=7.9X7.9 L=20 M5	IDN
		8-94441-539-0		1404-		01	AB	D=7.9X7.9 L=20 M5	IDN
225		SEAL; WATER 1-76798-019-0		1402-1403		01	A	VENTILATOR & DEFROSTER WO/HEATER<	EXC. VIN MODEL YEAR 2014<VZE>
		1-76798-019-0		1404-		01	AB	VENTILATOR & DEFROSTER WO/HEATER<	EXC. VIN MODEL YEAR 2014<VZE>
		1-76798-019-0		1312-1401		01	A	VENTILATOR & DEFROSTER WO/HEATER<	OD=25 BLACK
		1-76798-019-0		1402-1403		03	A	VENTILATOR & DEFROSTER WO/HEATER<	OD=25 BLACK
		1-76798-019-0		1404-		03	AB	VENTILATOR & DEFROSTER WO/HEATER<	OD=25 BLACK
240		DUCT; AIR,HTR 8-98041-402-1		1312-1403		01	A	VENTILATOR & DEFROSTER WO/HEATER<	
		8-98041-402-1		1404-		01	AB	VENTILATOR & DEFROSTER WO/HEATER<	
277		NUT; HTR 0-91180-106-0		1312-1403		01	A	VENTILATOR & DEFROSTER WO/HEATER<	M6 FLANGE
		0-91180-106-0		1404-		01	AB	VENTILATOR & DEFROSTER WO/HEATER<	M6 FLANGE
317		SCREW; DEFROSTER NOZZLE 0-72180-516-0		1312-1401		08	A	VENTILATOR & DEFROSTER WO/HEATER<	M5X16 TAPPING
		0-72180-516-0		1402-1403		08	A	VENTILATOR & DEFROSTER WO/HEATER<	EXC. VIN MODEL YEAR 2014<VZE>
		0-72180-516-0		1404-		08	AB	VENTILATOR & DEFROSTER WO/HEATER<	EXC. VIN MODEL YEAR 2014<VZE>
471		NUT; BLOWER 0-91180-106-0		1312-1403		01	A	VENTILATOR & DEFROSTER WO/HEATER<	M6 FLANGE
		0-91180-106-0		1404-		01	AB	VENTILATOR & DEFROSTER WO/HEATER<	M6 FLANGE
475		BRACKET; BLOWER 8-98043-500-1		1312-1403		01	A	VENTILATOR & DEFROSTER WO/HEATER<	
		8-98043-500-1		1404-		01	AB	VENTILATOR & DEFROSTER WO/HEATER<	
476		SCREW; VALVE							

8-40

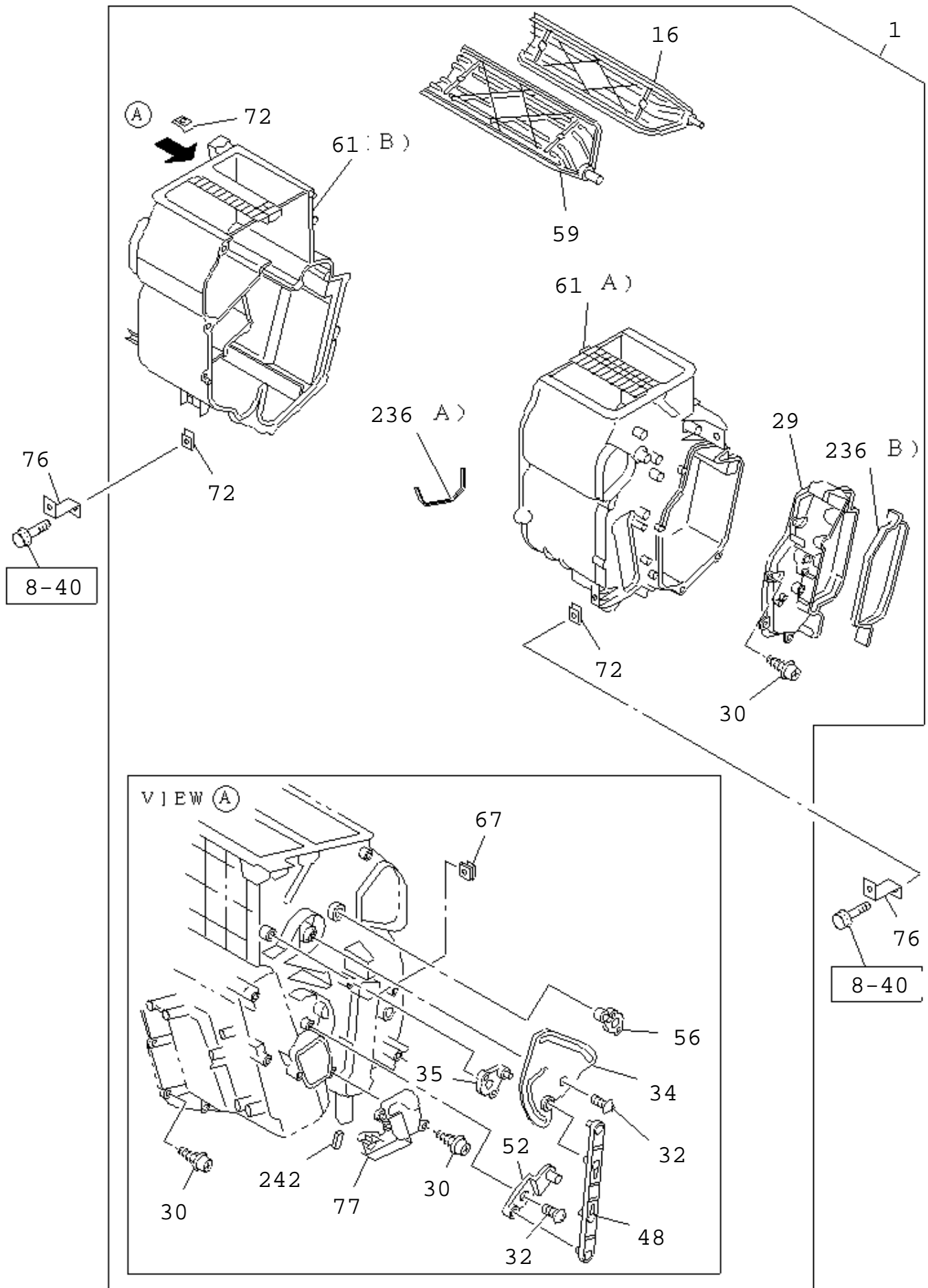
HEATER SYSTEM

KEY	R / C	PART NAME PART NUMBER	I T C	APPLIED DATE	L / R	Qty	APPLIED MODEL	RESTRICTION/REMARKS	
								A	B
476		8-98062-675-0		1312-1403		01	A	A FVZ WIDE CAB(FGZ5MV)	B GVZ WIDE CAB(GGZ5MV)
		8-98062-675-0		1404-		01	AB	M5X16 HEX SOCKET IDN	M5X16 HEX SOCKET IDN
6-05		Move to 6-05							
8-60		Move to 8-60							
8-73		Move to 8-73							
6-20		Move to 6-20							
6-70		Move to 6-70							
8-50		Move to 8-50							



AIR CONDITIONING SYSTEM; FRONT

KEY	R / C	PART NAME PART NUMBER	I T C	APPLIED DATE	Qty	APPLIED MODEL	RESTRICTION/REMARKS
							A FVZ WIDE CAB(FGZ5MV) B GVZ WIDE CAB(GGZ5MV)
71		COVER; EVAP,A/C 8-98017-234-1		1312-1403	01	A	VENTILATOR & DEFROSTER WO/HEATER<SAZ> IDN
		8-98017-234-1		1404-	01	AB	VENTILATOR & DEFROSTER WO/HEATER<SAZ> IDN
112		BOLT; STAY 0-28050-816-0		1312-1403	02	A	
		0-28050-816-0		1404-	02	AB	M8X16 FLANGE
131		STAY; CMPR BRKT 8-94393-451-0		1312-1403	01	A	
		8-94393-451-0		1404-	01	AB	M8X16 FLANGE
378		HOSE; DRAIN, EVAPORATOR 8-98041-428-0		1312-1401	01	A	VENTILATOR & DEFROSTER WO/HEATER<SAZ>
		8-98041-428-0		1402-1403	01	A	VENTILATOR & DEFROSTER WO/HEATER<SAZ> EXC. VIN MODEL YEAR 2014<VZE>
		8-98041-428-0		1404-	01	AB	VENTILATOR & DEFROSTER WO/HEATER<SAZ> EXC. VIN MODEL YEAR 2014<VZE>
516		SEAL; A/C 1-76798-019-0		1402-1403	01	A	VENTILATOR & DEFROSTER WO/HEATER<SAZ> VIN MODEL YEAR 2014<VZE>
		1-76798-019-0		1404-	01	AB	OD=25 BLACK VENTILATOR & DEFROSTER WO/HEATER<SAZ> VIN MODEL YEAR 2014<VZE> OD=25 BLACK
0-12		Move to 0-12					
0-13		Move to 0-13					
0-60		Move to 0-60					
6-05		Move to 6-05					
8-40		Move to 8-40					
8-60		Move to 8-60					
8-73		Move to 8-73					



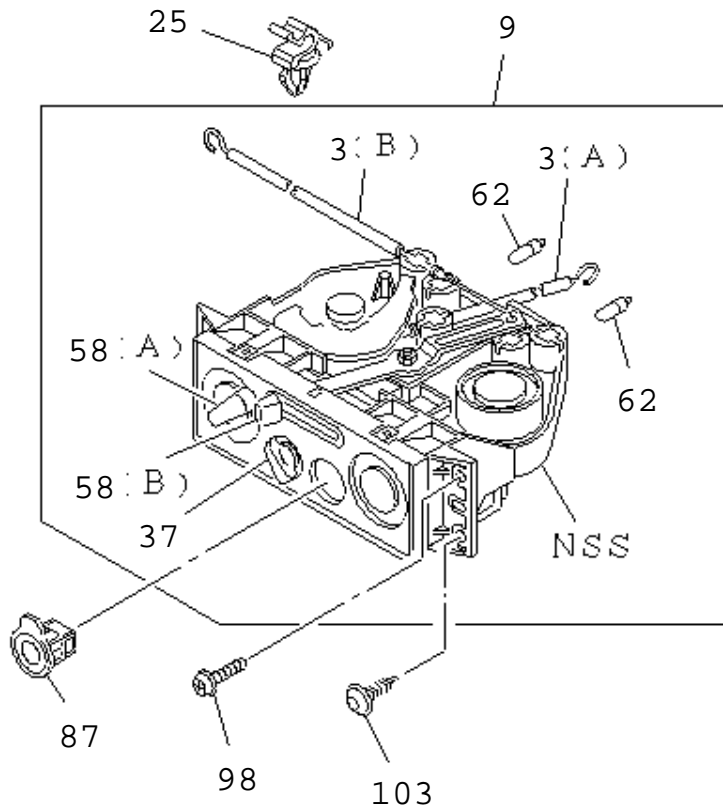
HEATER UNIT; FRONT

KEY	R / C	PART NAME PART NUMBER	I T C	APPLIED DATE	Qty	APPLIED MODEL	RESTRICTION/REMARKS	
							A	B
1		HEATER UNIT 8-98214-400-0 8-98214-400-0 8-98214-400-0		1312-1401 1402-1403 1404-	01 01 01	A A AB	A	FVZ WIDE CAB (FGZ5MV) GVZ WIDE CAB (GGZ5MV) VENTILATOR & DEFROSTER WO/HEATER<SAZ> VENTILATOR & DEFROSTER WO/HEATER<SAZ> EXC. VIN MODEL YEAR 2014<VZE> VENTILATOR & DEFROSTER WO/HEATER<SAZ> EXC. VIN MODEL YEAR 2014<VZE>
16		SHUTTER; HTR UNIT,CENTER UPR 8-98047-387-0 8-98047-387-0 8-98047-387-0		1312-1401 1402-1403 1404-	01 01 01	A A AB	A	VENTILATOR & DEFROSTER WO/HEATER<SAZ> VENTILATOR & DEFROSTER WO/HEATER<SAZ> EXC. VIN MODEL YEAR 2014<VZE> VENTILATOR & DEFROSTER WO/HEATER<SAZ> EXC. VIN MODEL YEAR 2014<VZE>
29		COVER; HTR UNIT 8-98231-367-0 8-98231-367-0 8-98231-367-0		1312-1401 1402-1403 1404-	01 01 01	A A AB	A	VENTILATOR & DEFROSTER WO/HEATER<SAZ> VENTILATOR & DEFROSTER WO/HEATER<SAZ> EXC. VIN MODEL YEAR 2014<VZE> VENTILATOR & DEFROSTER WO/HEATER<SAZ> EXC. VIN MODEL YEAR 2014<VZE>
30		SCREW; HTR UNIT 8-97957-708-0 8-97957-708-0 8-97957-708-0		1312-1401 1402-1403 1404-	20 20 20	A A AB	A	VENTILATOR & DEFROSTER WO/HEATER<SAZ> M4X16 TAPPING IDN VENTILATOR & DEFROSTER WO/HEATER<SAZ> EXC. VIN MODEL YEAR 2014<VZE> M4X16 TAPPING IDN VENTILATOR & DEFROSTER WO/HEATER<SAZ> EXC. VIN MODEL YEAR 2014<VZE> M4X16 TAPPING IDN
32		SCREW; HTR UNIT 8-98047-416-0 8-98047-416-0 8-98047-416-0		1312-1401 1402-1403 1404-	02 02 02	A A AB	A	VENTILATOR & DEFROSTER WO/HEATER<SAZ> M4X16 VENTILATOR & DEFROSTER WO/HEATER<SAZ> EXC. VIN MODEL YEAR 2014<VZE> M4X16 VENTILATOR & DEFROSTER WO/HEATER<SAZ> EXC. VIN MODEL YEAR 2014<VZE> M4X16
34		LEVER; SHUTTER,HTR UNIT 8-98047-389-0 8-98047-389-0 8-98047-389-0		1312-1401 1402-1403 1404-	01 01 01	A A AB	A	VENTILATOR & DEFROSTER WO/HEATER<SAZ> VENTILATOR & DEFROSTER WO/HEATER<SAZ> EXC. VIN MODEL YEAR 2014<VZE> VENTILATOR & DEFROSTER WO/HEATER<SAZ> EXC. VIN MODEL YEAR 2014<VZE>
35		LEVER; SHUTTER,HTR UNIT 8-98047-392-0 8-98047-392-0 8-98047-392-0		1312-1401 1402-1403 1404-	01 01 01	A A AB	A	VENTILATOR & DEFROSTER WO/HEATER<SAZ> VENTILATOR & DEFROSTER WO/HEATER<SAZ> EXC. VIN MODEL YEAR 2014<VZE> VENTILATOR & DEFROSTER WO/HEATER<SAZ> EXC. VIN MODEL YEAR 2014<VZE>
48		LEVER; HTR UNIT 8-98047-391-0 8-98047-391-0 8-98047-391-0		1312-1401 1402-1403 1404-	01 01 01	A A AB	A	VENTILATOR & DEFROSTER WO/HEATER<SAZ> VENTILATOR & DEFROSTER WO/HEATER<SAZ> EXC. VIN MODEL YEAR 2014<VZE> VENTILATOR & DEFROSTER WO/HEATER<SAZ> EXC. VIN MODEL YEAR 2014<VZE>
52		LEVER; SHUTTER,HTR UNIT 8-98047-390-0 8-98047-390-0 8-98047-390-0		1312-1401 1402-1403 1404-	01 01 01	A A AB	A	VENTILATOR & DEFROSTER WO/HEATER<SAZ> VENTILATOR & DEFROSTER WO/HEATER<SAZ> EXC. VIN MODEL YEAR 2014<VZE> VENTILATOR & DEFROSTER WO/HEATER<SAZ> EXC. VIN MODEL YEAR 2014<VZE>
56		LEVER; SHUTTER,HTR UNIT 8-98047-393-0 8-98047-393-0 8-98047-393-0		1312-1401 1402-1403 1404-	01 01 01	A A AB	A	VENTILATOR & DEFROSTER WO/HEATER<SAZ> VENTILATOR & DEFROSTER WO/HEATER<SAZ> EXC. VIN MODEL YEAR 2014<VZE> VENTILATOR & DEFROSTER WO/HEATER<SAZ> EXC. VIN MODEL YEAR 2014<VZE>
59		SHUTTER; HTR UNIT,SIDE 8-98047-386-0 8-98047-386-0		1312-1401 1402-1403	01 01	A A	A	VENTILATOR & DEFROSTER WO/HEATER<SAZ> VENTILATOR & DEFROSTER WO/HEATER<SAZ> EXC. VIN MODEL YEAR 2014<VZE>

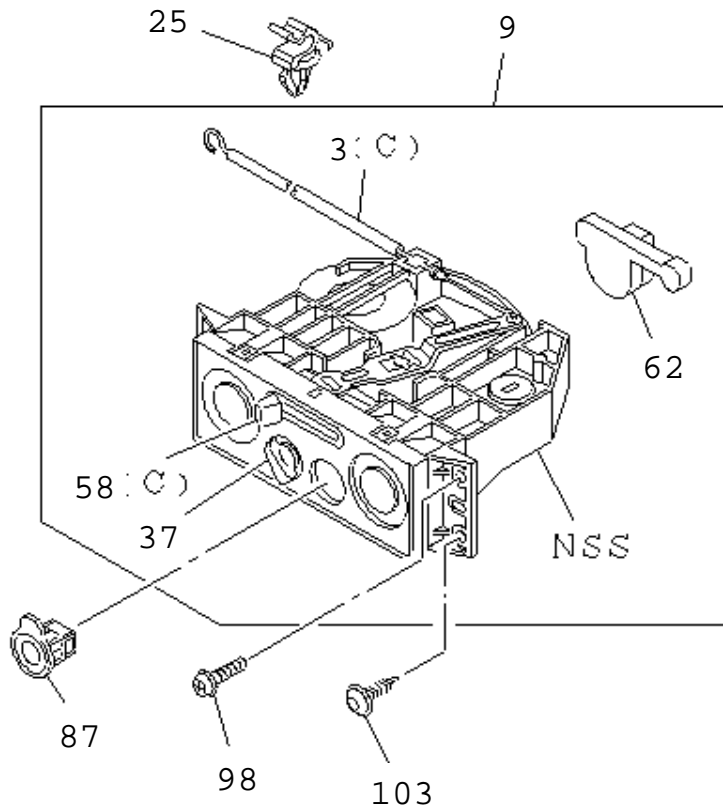
HEATER UNIT; FRONT

KEY	R / C	PART NAME PART NUMBER	I T C	APPLIED DATE	Qty	APPLIED MODEL	RESTRICTION/REMARKS
							A FVZ WIDE CAB(FGZ5MV) B GVZ WIDE CAB(GGZ5MV)
59		8-98047-386-0		1404-	01	AB	VENTILATOR & DEFROSTER WO/HEATER<SAZ> EXC. VIN MODEL YEAR 2014<VZE>
61		CASE; HTR UNIT 8-98077-422-0		1312-1401	01	A	VENTILATOR & DEFROSTER WO/HEATER<SAZ> (A)
		8-98077-422-0		1402-1403	01	A	VENTILATOR & DEFROSTER WO/HEATER<SAZ> EXC. VIN MODEL YEAR 2014<VZE> (A)
		8-98077-422-0		1404-	01	AB	VENTILATOR & DEFROSTER WO/HEATER<SAZ> EXC. VIN MODEL YEAR 2014<VZE> (A)
		8-98077-423-0		1312-1401	01	A	VENTILATOR & DEFROSTER WO/HEATER<SAZ> (B)
		8-98077-423-0		1402-1403	01	A	VENTILATOR & DEFROSTER WO/HEATER<SAZ> EXC. VIN MODEL YEAR 2014<VZE> (B)
		8-98077-423-0		1404-	01	AB	VENTILATOR & DEFROSTER WO/HEATER<SAZ> EXC. VIN MODEL YEAR 2014<VZE> (B)
67		CLIP; HTR UNIT 8-98047-417-0		1312-1401	01	A	VENTILATOR & DEFROSTER WO/HEATER<SAZ>
		8-98047-417-0		1402-1403	01	A	VENTILATOR & DEFROSTER WO/HEATER<SAZ> EXC. VIN MODEL YEAR 2014<VZE>
		8-98047-417-0		1404-	01	AB	VENTILATOR & DEFROSTER WO/HEATER<SAZ> EXC. VIN MODEL YEAR 2014<VZE>
72		NUT; CASE,HTR UNIT 8-98047-428-0		1312-1401	03	A	VENTILATOR & DEFROSTER WO/HEATER<SAZ> M6
		8-98047-428-0		1402-1403	03	A	VENTILATOR & DEFROSTER WO/HEATER<SAZ> EXC. VIN MODEL YEAR 2014<VZE> M6
		8-98047-428-0		1404-	03	AB	VENTILATOR & DEFROSTER WO/HEATER<SAZ> EXC. VIN MODEL YEAR 2014<VZE> M6
76		BRACKET; HTR UNIT 8-98009-742-1		1312-1401	02	A	VENTILATOR & DEFROSTER WO/HEATER<SAZ>
		8-98009-742-1		1402-1403	02	A	VENTILATOR & DEFROSTER WO/HEATER<SAZ> EXC. VIN MODEL YEAR 2014<VZE>
		8-98009-742-1		1404-	02	AB	VENTILATOR & DEFROSTER WO/HEATER<SAZ> EXC. VIN MODEL YEAR 2014<VZE>
77		COVER; HTR CASE 8-98047-414-0		1312-1401	01	A	VENTILATOR & DEFROSTER WO/HEATER<SAZ>
		8-98047-414-0		1402-1403	01	A	VENTILATOR & DEFROSTER WO/HEATER<SAZ> EXC. VIN MODEL YEAR 2014<VZE>
		8-98047-414-0		1404-	01	AB	VENTILATOR & DEFROSTER WO/HEATER<SAZ> EXC. VIN MODEL YEAR 2014<VZE>
236		GASKET; HEATER 8-98047-420-0		1312-1401	01	A	VENTILATOR & DEFROSTER WO/HEATER<SAZ> (A)
		8-98047-420-0		1402-1403	01	A	VENTILATOR & DEFROSTER WO/HEATER<SAZ> EXC. VIN MODEL YEAR 2014<VZE> (A)
		8-98047-420-0		1404-	01	AB	VENTILATOR & DEFROSTER WO/HEATER<SAZ> EXC. VIN MODEL YEAR 2014<VZE> (A)
		8-98047-421-0		1312-1401	01	A	VENTILATOR & DEFROSTER WO/HEATER<SAZ> (B)
		8-98047-421-0		1402-1403	01	A	VENTILATOR & DEFROSTER WO/HEATER<SAZ> EXC. VIN MODEL YEAR 2014<VZE> (B)
		8-98047-421-0		1404-	01	AB	VENTILATOR & DEFROSTER WO/HEATER<SAZ> EXC. VIN MODEL YEAR 2014<VZE> (B)
242		GASKET; CASE 8-98048-816-0		1312-1401	01	A	VENTILATOR & DEFROSTER WO/HEATER<SAZ>
		8-98048-816-0		1402-1403	01	A	VENTILATOR & DEFROSTER WO/HEATER<SAZ> EXC. VIN MODEL YEAR 2014<VZE>
		8-98048-816-0		1404-	01	AB	VENTILATOR & DEFROSTER WO/HEATER<SAZ> EXC. VIN MODEL YEAR 2014<VZE>
8-40		Move to 8-40					

EXC. VIN MODEL YEAR 2014



VIN MODEL YEAR 2014



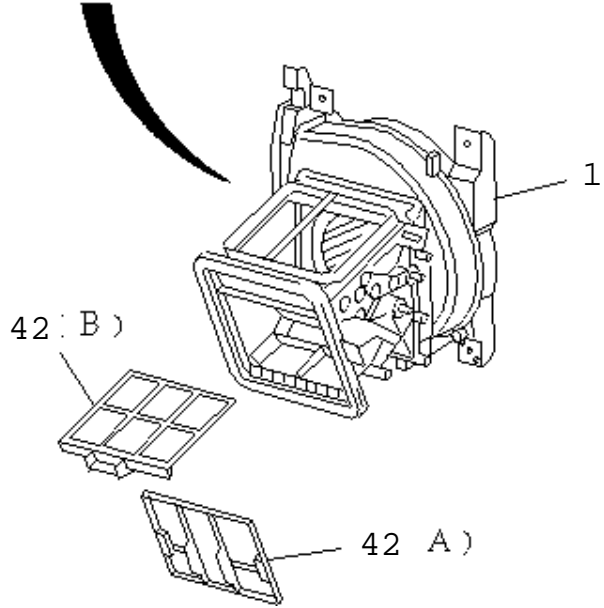
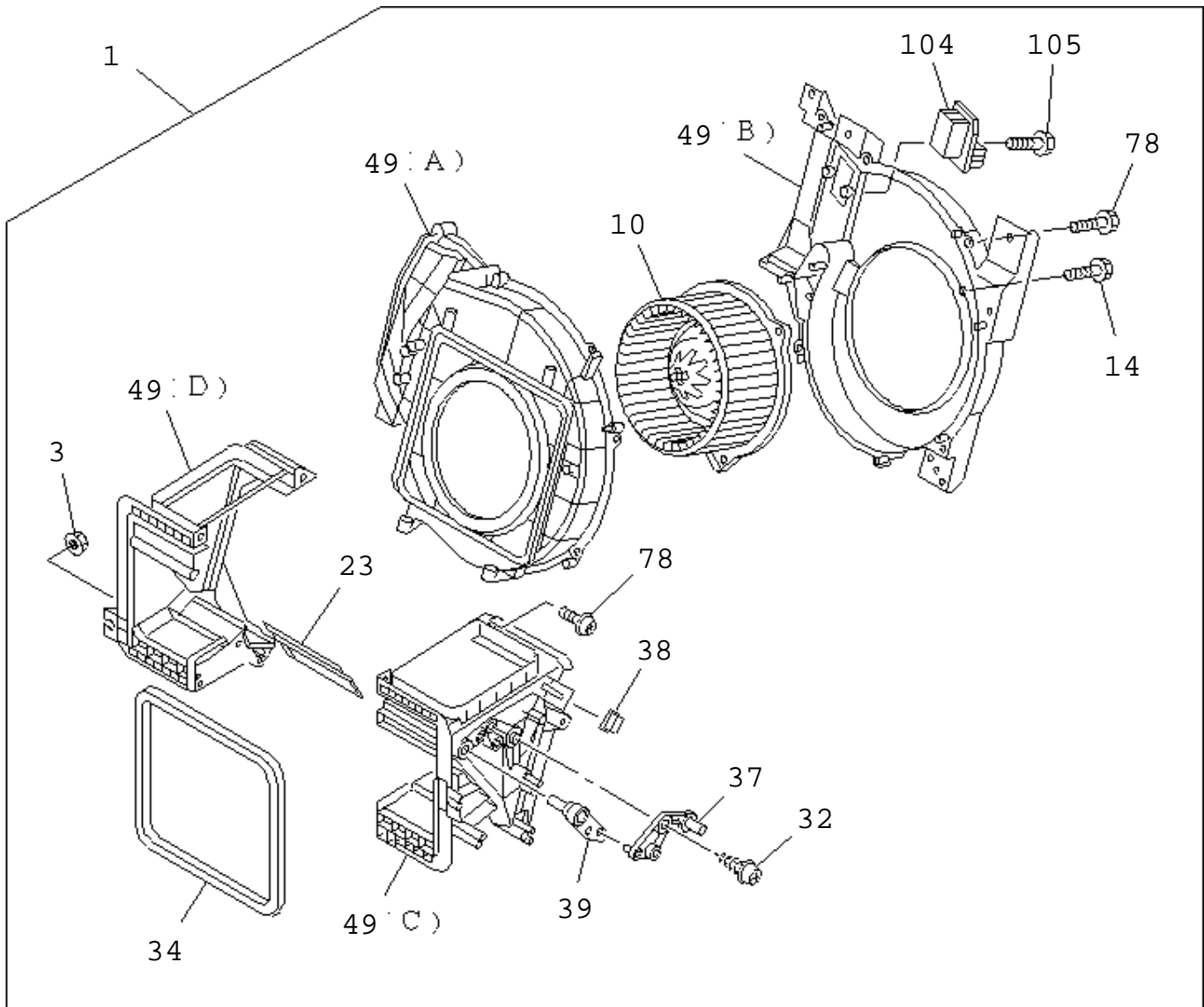
CONTROL LEVER; HEATER AND AIR CON

KEY	R / C	PART NAME PART NUMBER	I T C	APPLIED DATE	Qty	APPLIED MODEL	RESTRICTION/REMARKS
							A FVZ WIDE CAB(FGZ5MV) B GVZ WIDE CAB(GGZ5MV)
3		CABLE; HTR CONT LVR 8-97927-125-0		1402-1403	01	A	VENTILATOR & DEFROSTER WO/HEATER<SAZ> VIN MODEL YEAR 2014<VZE> (C) RECIRC/FRESH
		8-97927-125-0		1404-	01	AB	VENTILATOR & DEFROSTER WO/HEATER<SAZ> VIN MODEL YEAR 2014<VZE> (C) RECIRC/FRESH
		8-98041-503-1		1312-1401	01	A	VENTILATOR & DEFROSTER WO/HEATER<SAZ> (A) MODE
		8-98041-503-1		1402-1403	01	A	VENTILATOR & DEFROSTER WO/HEATER<SAZ> EXC. VIN MODEL YEAR 2014<VZE> (A) MODE
		8-98041-503-1		1404-	01	AB	VENTILATOR & DEFROSTER WO/HEATER<SAZ> EXC. VIN MODEL YEAR 2014<VZE> (A) MODE
		8-98041-505-2		1312-1401	01	A	VENTILATOR & DEFROSTER WO/HEATER<SAZ> (B) RECIRC/FRESH
		8-98041-505-2		1402-1403	01	A	VENTILATOR & DEFROSTER WO/HEATER<SAZ> EXC. VIN MODEL YEAR 2014<VZE> (B) RECIRC/FRESH
		8-98041-505-2		1404-	01	AB	VENTILATOR & DEFROSTER WO/HEATER<SAZ> EXC. VIN MODEL YEAR 2014<VZE> (B) RECIRC/FRESH
9		LEVER ASM; HTR & A/C CONT 8-98255-068-0		1402-1403	01	A	VENTILATOR & DEFROSTER WO/HEATER<SAZ> VIN MODEL YEAR 2014<VZE>
		8-98255-068-0		1404-	01	AB	VENTILATOR & DEFROSTER WO/HEATER<SAZ> VIN MODEL YEAR 2014<VZE>
		8-98062-807-1		1312-1401	01	A	VENTILATOR & DEFROSTER WO/HEATER<SAZ>
		8-98062-807-1		1402-1403	01	A	VENTILATOR & DEFROSTER WO/HEATER<SAZ> EXC. VIN MODEL YEAR 2014<VZE>
25		8-98062-807-1		1404-	01	AB	VENTILATOR & DEFROSTER WO/HEATER<SAZ> EXC. VIN MODEL YEAR 2014<VZE>
		CLIP; CABLE,CONT LEVER 8-94128-483-0		1312-1403	03	A	VENTILATOR & DEFROSTER WO/HEATER<SAZ> ID=4.8
	8-94128-483-0		1404-	03	AB	VENTILATOR & DEFROSTER WO/HEATER<SAZ> ID=4.8	
37		KNOB; SW,HTR CONT LVR 8-97926-674-0		1402-1403	01	A	VENTILATOR & DEFROSTER WO/HEATER<SAZ> VIN MODEL YEAR 2014<VZE>
		8-97926-674-0		1404-	01	AB	VENTILATOR & DEFROSTER WO/HEATER<SAZ> VIN MODEL YEAR 2014<VZE>
		8-98037-368-0		1312-1401	01	A	VENTILATOR & DEFROSTER WO/HEATER<SAZ>
		8-98037-368-0		1402-1403	01	A	VENTILATOR & DEFROSTER WO/HEATER<SAZ> EXC. VIN MODEL YEAR 2014<VZE>
58		8-98037-368-0		1404-	01	AB	VENTILATOR & DEFROSTER WO/HEATER<SAZ> EXC. VIN MODEL YEAR 2014<VZE>
		KNOB; LVR,HTR CONT LVR 8-97926-675-0		1402-1403	01	A	VENTILATOR & DEFROSTER WO/HEATER<SAZ> VIN MODEL YEAR 2014<VZE>
		8-97926-675-0		1404-	01	AB	VENTILATOR & DEFROSTER WO/HEATER<SAZ> VIN MODEL YEAR 2014<VZE> (C)
		8-98037-369-0		1312-1401	01	A	VENTILATOR & DEFROSTER WO/HEATER<SAZ> (A)
		8-98037-369-0		1402-1403	01	A	VENTILATOR & DEFROSTER WO/HEATER<SAZ> EXC. VIN MODEL YEAR 2014<VZE> (A)
		8-98037-369-0		1404-	01	AB	VENTILATOR & DEFROSTER WO/HEATER<SAZ> EXC. VIN MODEL YEAR 2014<VZE> (A)
		8-98037-370-0		1312-1401	01	A	VENTILATOR & DEFROSTER WO/HEATER<SAZ> (B)
		8-98037-370-0		1402-1403	01	A	VENTILATOR & DEFROSTER WO/HEATER<SAZ> EXC. VIN MODEL YEAR 2014<VZE> (B)
62		8-98037-370-0		1404-	01	AB	VENTILATOR & DEFROSTER WO/HEATER<SAZ> EXC. VIN MODEL YEAR 2014<VZE> (B)
		BULB; HTR CONT LVR 8-97926-676-0		1402-1403	01	A	VENTILATOR & DEFROSTER WO/HEATER<SAZ> VIN MODEL YEAR 2014<VZE>

8-65

CONTROL LEVER; HEATER AND AIR CON

KEY	R / C	PART NAME PART NUMBER	I T C	APPLIED DATE	Qty	APPLIED MODEL	RESTRICTION/REMARKS
							A FVZ WIDE CAB(FGZ5MV) B GVZ WIDE CAB(GGZ5MV)
62		8-97926-676-0		1404-	01	AB	VENTILATOR & DEFROSTER WO/HEATER<SAZ> VIN MODEL YEAR 2014<VZE>
		8-98037-371-0		1312-1401	02	A	VENTILATOR & DEFROSTER WO/HEATER<SAZ> 24V 1.1W
		8-98037-371-0		1402-1403	02	A	VENTILATOR & DEFROSTER WO/HEATER<SAZ> EXC. VIN MODEL YEAR 2014<VZE> 24V 1.1W
		8-98037-371-0		1404-	02	AB	VENTILATOR & DEFROSTER WO/HEATER<SAZ> EXC. VIN MODEL YEAR 2014<VZE> 24V 1.1W
87		CAP; A/C SWITCH 8-98006-089-0		1312-1403	01	A	VENTILATOR & DEFROSTER WO/HEATER<SAZ>
		8-98006-089-0		1404-	01	AB	VENTILATOR & DEFROSTER WO/HEATER<SAZ>
98		SCREW; CONT PANEL 0-72180-520-0		1312-1403	01	A	VENTILATOR & DEFROSTER WO/HEATER<SAZ> M5X20 HEXALOBULAR SOCKET
		0-72180-520-0		1404-	01	AB	VENTILATOR & DEFROSTER WO/HEATER<SAZ> M5X20 HEXALOBULAR SOCKET
103		CLIP 8-97098-326-0		1312-1403	01	A	VENTILATOR & DEFROSTER WO/HEATER<SAZ> DARK GRAY
		8-97098-326-0		1404-	01	AB	VENTILATOR & DEFROSTER WO/HEATER<SAZ> DARK GRAY

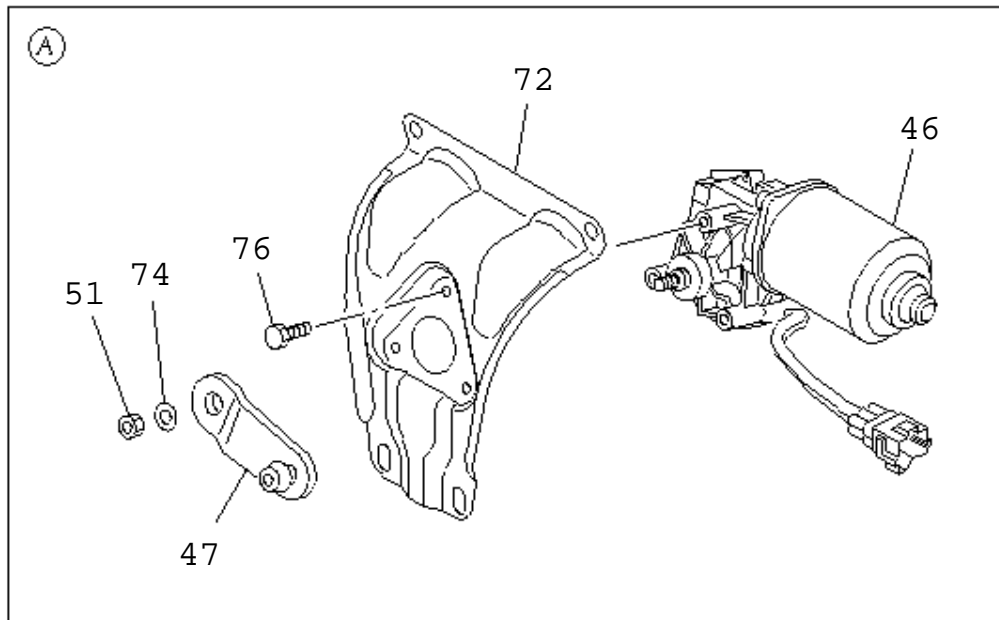
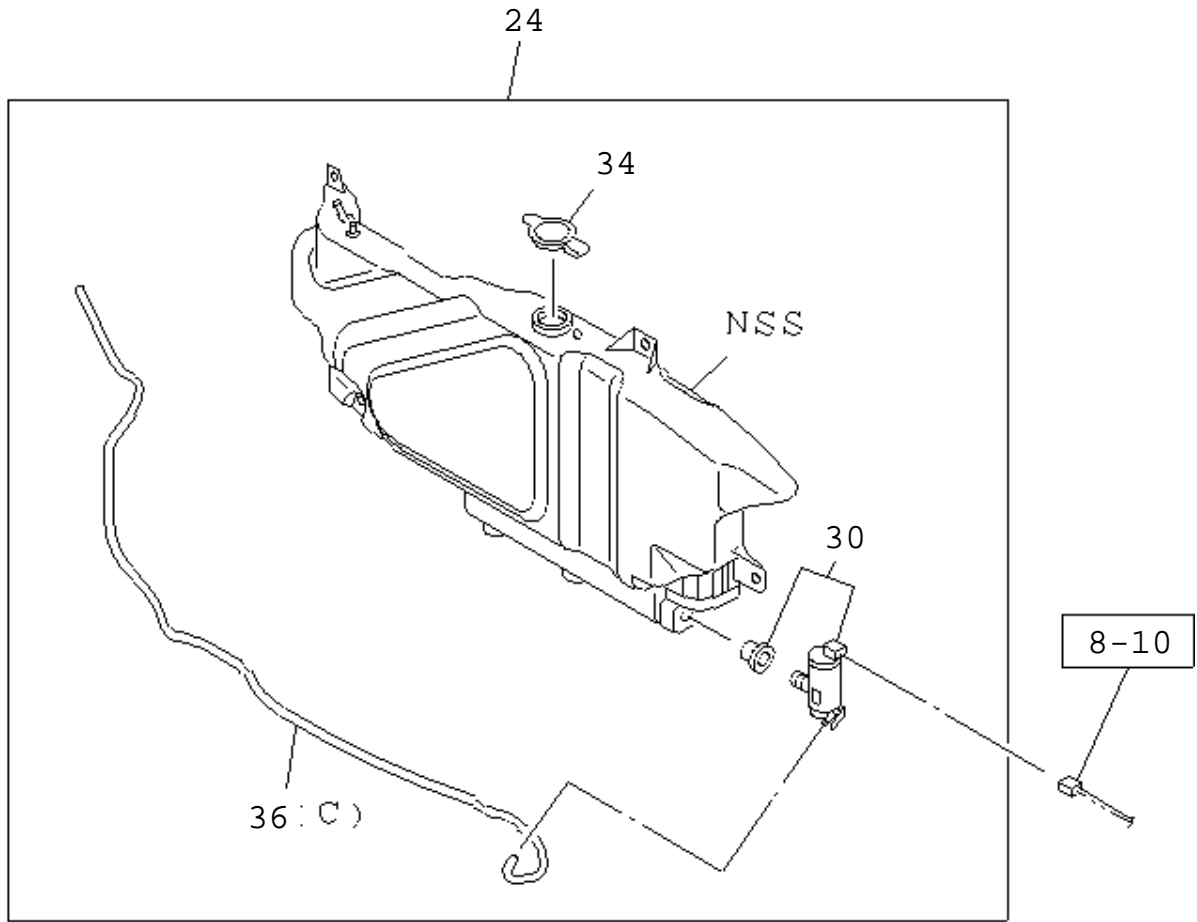


KEY	R / C	PART NAME PART NUMBER	I T C	APPLIED DATE	Qty	APPLIED MODEL	RESTRICTION/REMARKS	
							A	B
1		BLOWER ASM 8-98171-720-0		1312-1403	01	A	VENTILATOR & DEFROSTER	WO/HEATER<SAZ>
		8-98171-720-0		1404-	01	AB	VENTILATOR & DEFROSTER	WO/HEATER<SAZ>
3		NUT; CASE 1-83539-354-0		1312-1403	02	A	VENTILATOR & DEFROSTER	WO/HEATER<SAZ>
		1-83539-354-0		1404-	02	AB	VENTILATOR & DEFROSTER	WO/HEATER<SAZ>
10		MOTOR ASM; FAN,BLOWER UNIT 8-98183-924-0		1312-1403	01	A	VENTILATOR & DEFROSTER	WO/HEATER<SAZ>
		8-98183-924-0		1404-	01	AB	VENTILATOR & DEFROSTER	WO/HEATER<SAZ>
14		SCREW; COVER TO CASE 8-98047-448-0		1312-1403	03	A	VENTILATOR & DEFROSTER	WO/HEATER<SAZ>
		8-98047-448-0		1404-	03	AB	VENTILATOR & DEFROSTER	WO/HEATER<SAZ>
23		SHUTTER; BLOWER UNIT 8-98171-863-0		1312-1403	01	A	VENTILATOR & DEFROSTER	WO/HEATER<SAZ>
		8-98171-863-0		1404-	01	AB	VENTILATOR & DEFROSTER	WO/HEATER<SAZ>
32		SCREW; LEVER 8-98047-416-0		1312-1403	01	A	VENTILATOR & DEFROSTER	WO/HEATER<SAZ>
		8-98047-416-0		1404-	01	AB	VENTILATOR & DEFROSTER	WO/HEATER<SAZ>
34		LINING; BLOWER UNIT 8-98096-453-0		1312-1403	01	A	VENTILATOR & DEFROSTER	WO/HEATER<SAZ>
		8-98096-453-0		1404-	01	AB	VENTILATOR & DEFROSTER	WO/HEATER<SAZ>
37		LEVER; MODE LEVER 8-98047-436-0		1312-1403	01	A	VENTILATOR & DEFROSTER	WO/HEATER<SAZ>
		8-98047-436-0		1404-	01	AB	VENTILATOR & DEFROSTER	WO/HEATER<SAZ>
38		CLIP; BLOWER UNIT 8-98047-417-0		1312-1403	01	A	VENTILATOR & DEFROSTER	WO/HEATER<SAZ>
		8-98047-417-0		1404-	01	AB	VENTILATOR & DEFROSTER	WO/HEATER<SAZ>
39		LEVER; SHUTTER,BLOWER UNIT 8-98047-435-0		1312-1403	01	A	VENTILATOR & DEFROSTER	WO/HEATER<SAZ>
		8-98047-435-0		1404-	01	AB	VENTILATOR & DEFROSTER	WO/HEATER<SAZ>
42		FILTER; BLOWER UNIT 8-98025-006-1		1312-1403	01	A	VENTILATOR & DEFROSTER	WO/HEATER<SAZ>
		8-98025-006-1		1404-	01	AB	VENTILATOR & DEFROSTER	WO/HEATER<SAZ>
		8-98041-327-0		1312-1403	01	A	VENTILATOR & DEFROSTER	WO/HEATER<SAZ>
		8-98041-327-0		1404-	01	AB	VENTILATOR & DEFROSTER	WO/HEATER<SAZ>
49		CASE; BLOWER UNIT 8-98047-440-0		1312-1403	01	A	VENTILATOR & DEFROSTER	WO/HEATER<SAZ>
		8-98047-440-0		1404-	01	AB	VENTILATOR & DEFROSTER	WO/HEATER<SAZ>
		8-98047-441-0		1312-1403	01	A	VENTILATOR & DEFROSTER	WO/HEATER<SAZ>
		8-98047-441-0		1404-	01	AB	VENTILATOR & DEFROSTER	WO/HEATER<SAZ>
		8-98077-413-0		1312-1403	01	A	VENTILATOR & DEFROSTER	WO/HEATER<SAZ>
		8-98077-413-0		1404-	01	AB	VENTILATOR & DEFROSTER	WO/HEATER<SAZ>
		8-98077-414-0		1312-1403	01	A	VENTILATOR & DEFROSTER	WO/HEATER<SAZ>
		8-98077-414-0		1404-	01	AB	VENTILATOR & DEFROSTER	WO/HEATER<SAZ>
78		SCREW; CASE TO CASE 8-97957-708-0		1312-1403	15	A	VENTILATOR & DEFROSTER	WO/HEATER<SAZ>
		8-97957-708-0		1404-	15	AB	VENTILATOR & DEFROSTER	WO/HEATER<SAZ>
104		RESISTOR; BLOWER UNIT 8-98074-113-0		1312-1403	01	A	VENTILATOR & DEFROSTER	WO/HEATER<SAZ>
		8-98074-113-0		1404-	01	AB	VENTILATOR & DEFROSTER	WO/HEATER<SAZ>
105		SCREW; RESISTOR						

8-73

BLOWER UNIT

KEY	R / C	PART NAME PART NUMBER	I T C	APPLIED DATE	Qty	APPLIED MODEL	RESTRICTION/REMARKS
							A FVZ WIDE CAB(FGZ5MV) B GVZ WIDE CAB(GGZ5MV)
105		8-97957-708-0		1312-1403	02	A	VENTILATOR & DEFROSTER WO/HEATER<SAZ> M4X16 TAPPING IDN
		8-97957-708-0		1404-	02	AB	VENTILATOR & DEFROSTER WO/HEATER<SAZ> M4X16 TAPPING IDN



WINDSHIELD WIPER AND WASHER

KEY	R / C	PART NAME PART NUMBER	I T C	APPLIED DATE	Qt-y	APPLIED MODEL	RESTRICTION/REMARKS
							A FVZ WIDE CAB (FGZ5MV) B GVZ WIDE CAB (GGZ5MV)
2		LINK; FRT WIPER 8-98078-812-0		1312-1403	01	A	(A)
		8-98078-812-0		1404-	01	AB	(A)
		8-98078-813-0		1312-1403	01	A	(B)
		8-98078-813-0		1404-	01	AB	(B)
		8-98078-814-0		1312-1403	01	A	(C)
		8-98078-814-0		1404-	01	AB	(C)
3		PIVOT ASM; FRT WIPER 8-98068-140-0		1312-1403	01	A	(C)
		8-98068-140-0		1404-	01	AB	(C)
		8-98078-817-0		1312-1403	01	A	(A)
		8-98078-817-0		1404-	01	AB	(A)
		8-98078-818-0		1312-1403	01	A	(B)
		8-98078-818-0		1404-	01	AB	(B)
4		BOLT; WIPER LINK TO BODY 0-28650-820-0		1312-1403	06	A	M8X20 FLANGE IDN
		0-28650-820-0		1404-	06	AB	M8X20 FLANGE IDN
5	B	ARM; WIPER 8-98078-821-1		1312-1403	01	A	(B)
		8-98078-821-1		1404-	01	AB	(B)
		8-98078-822-1		1312-1403	01	A	(C)
		8-98078-822-1		1404-	01	AB	(C)
		8-98078-823-1		1312-1403	01	A	(A)
		8-98078-823-1		1404-	01	AB	(A)
7	A	BLADE; WIPER 1-83315-047-2		1312-1403	02	A	(B)
		1-83315-047-2		1404-	02	AB	(B)
		1-83315-048-2		1312-1403	01	A	(A)
		1-83315-048-2		1404-	01	AB	(A)
9	A	RUBBER; FRT WIPER BLADE 1-83355-015-0		1312-1403	02	A	(B)
		1-83355-015-0		1404-	02	AB	(B)
		1-83355-016-0		1312-1403	01	A	(A)
		1-83355-016-0		1404-	01	AB	(A)
10		NUT; WIPER ARM TO WIPER PIVOT 1-09984-120-0		1312-1403	03	A	M10
		1-09984-120-0		1404-	03	AB	M10
24		TANK ASM; WASHER 8-98039-661-4		1312-1403	01	A	
		8-98039-661-4		1404-	01	AB	
30		MOTOR ASM; FRT WASHER TANK 8-98070-170-0		1312-1403	01	A	

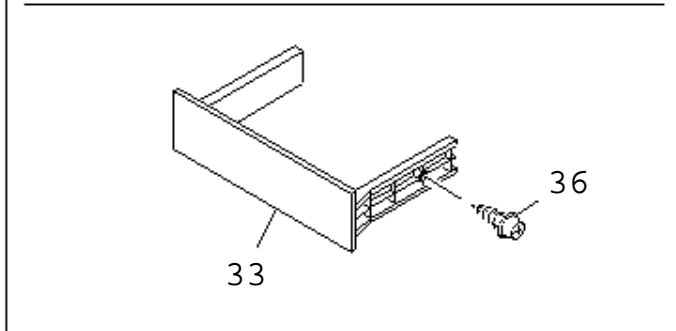
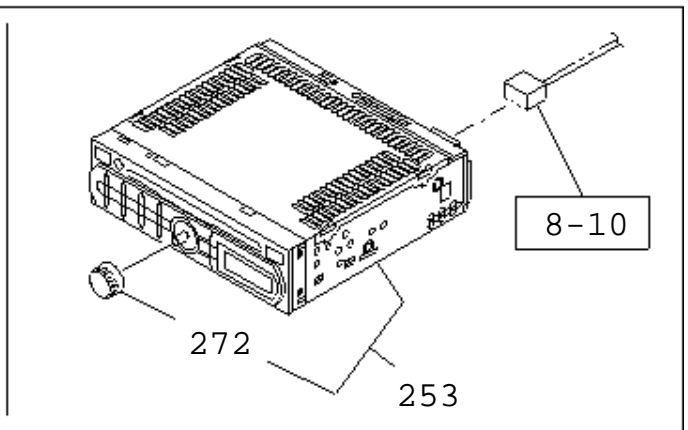
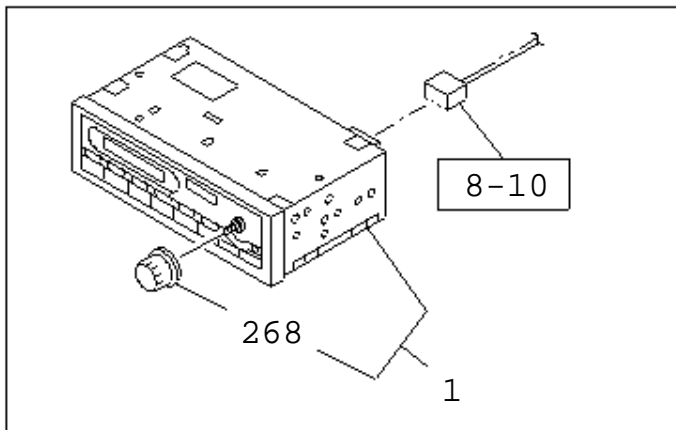
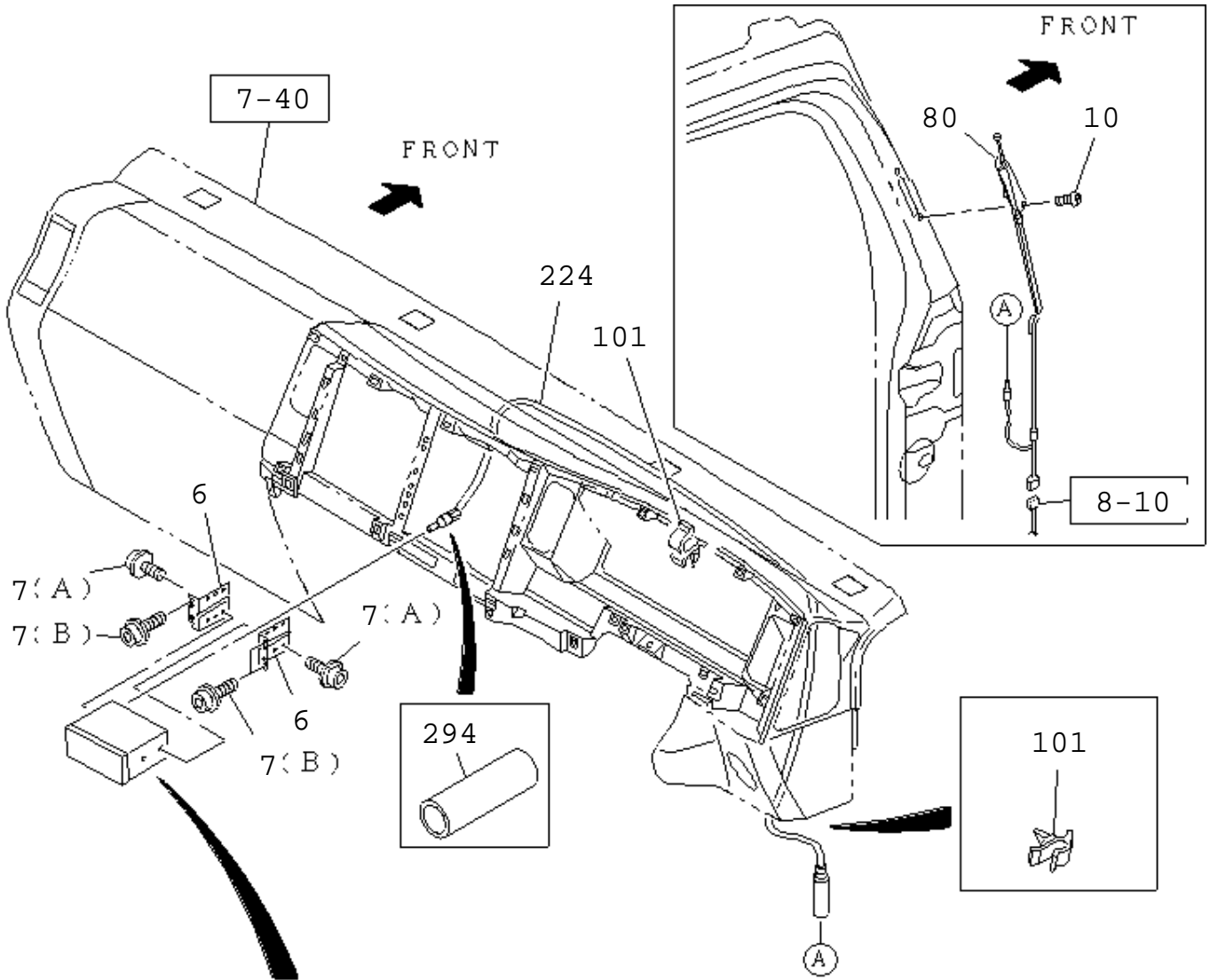
WINDSHIELD WIPER AND WASHER

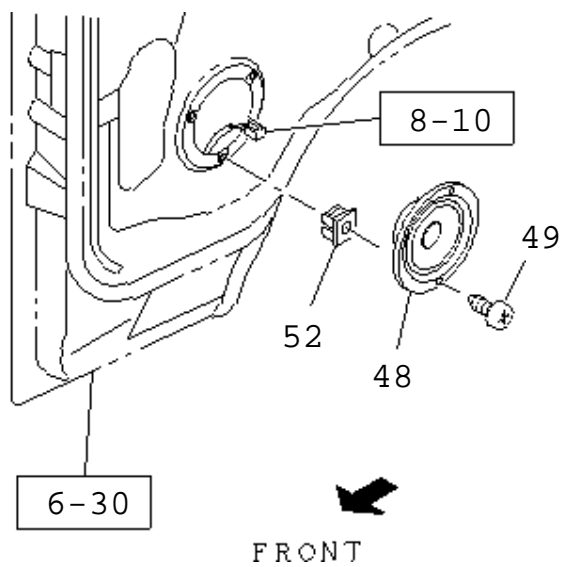
KEY	R / C	PART NAME PART NUMBER	I T C	APPLIED DATE	Qt-y	APPLIED MODEL	RESTRICTION/REMARKS	
							A	B
30		8-98070-170-0		1404-	01	AB		
34		CAP; WASHER TANK 8-97855-140-0		1312-1403	01	A		IDN
		8-97855-140-0		1404-	01	AB		IDN
36		HOSE; WASHER 1-86810-098-0		1312-1403	01	A		(B)
		1-86810-098-0		1404-	01	AB		(B)
		8-98070-173-0		1312-1403	01	A		(C)
		8-98070-173-0		1404-	01	AB		(C)
		8-98078-825-0		1312-1403	01	A		(D)
		8-98078-825-0		1404-	01	AB		(D)
		8-98078-826-0		1312-1403	01	A		(A)
		8-98078-826-0		1404-	01	AB		(A)
39		NOZZLE; WINDSHIELD WASHER 1-83315-085-0		1312-1403	03	A		
		1-83315-085-0		1404-	03	AB		
40		JOINT; WASHER HOSE 8-97167-258-0		1312-1403	01	A		(C)
		8-97167-258-0		1404-	01	AB		(C)
		8-97307-026-0		1312-1403	03	A		(B)
		8-97307-026-0		1404-	03	AB		(B)
		8-97855-163-0		1312-1403	01	A		(A)
		8-97855-163-0		1404-	01	AB		(A)
42		CLIP; WASHER HOSE 1-86810-044-0		1312-1403	03	A		(A)
		1-86810-044-0		1404-	03	AB		(A)
		8-98039-708-0		1312-1403	03	A		(B)
		8-98039-708-0		1404-	03	AB		(B)
46		MOTOR ASM; FRT WINDSHIELD WIPER 8-98078-808-1		1312-1403	01	A		
		8-98078-808-1		1404-	01	AB		
47		ARM; CRANK, WIPER MOTOR 8-98078-805-0		1312-1403	01	A		
		8-98078-805-0		1404-	01	AB		
51		NUT; WIPER MOTOR LINK 1-83319-012-0		1312-1403	01	A		
		1-83319-012-0		1404-	01	AB		
72		BRACKET; WIPER MOTOR 8-98078-807-0		1312-1403	01	A		
		8-98078-807-0		1404-	01	AB		
74		WASHER; ARM TO MOTOR 1-83319-011-0		1312-1403	01	A		
		1-83319-011-0		1404-	01	AB		
76		SCREW; BRKT TO WIPER MOTOR 1-86810-062-0		1312-1403	03	A		
		1-86810-062-0		1404-	03	AB		
95		NUT; WASHER TANK 0-91180-106-0		1312-1403	04	A		M6 FLANGE
		0-91180-106-0		1404-	04	AB		M6 FLANGE
114		COVER; FRT WIPER ARM 1-83318-126-0		1312-1403	03	A		
		1-83318-126-0		1404-	03	AB		

8-80

WINDSHIELD WIPER AND WASHER

KEY	R / C	PART NAME PART NUMBER	I T C	APPLIED DATE	Qty	APPLIED MODEL	RESTRICTION/REMARKS
							A FVZ WIDE CAB(FGZ5MV) B GVZ WIDE CAB(GGZ5MV)
198		COVER; PIVOT, WIPER 8-98038-892-0 8-98038-892-0		1312-1403 1404-	03 03	A AB	
202		GROMMET; WIPER 1-86815-003-2 1-86815-003-2		1312-1403 1404-	03 03	A AB	
203		NUT; WIPER MOTOR 0-91180-208-0 0-91180-208-0		1312-1403 1404-	04 04	A AB	M8 FLANGE IDN M8 FLANGE IDN
228		HOSE ASM; WASHER 8-98039-703-1 8-98039-703-1		1312-1403 1404-	01 01	A AB	
8-10		Move to 8-10					





KEY	R / C	PART NAME PART NUMBER	I T C	APPLIED DATE	Qty	APPLIED MODEL	RESTRICTION/REMARKS
							A FVZ WIDE CAB(FGZ5MV) B GVZ WIDE CAB(GGZ5MV)
1		RADIO 8-98032-643-0		1312-1403	01	A	RADIO AM/FM<U69>
		8-98032-643-0		1404-	01	AB	RADIO AM/FM<U69>
6		BRACKET; RADIO TO PANEL 8-97585-617-0		1312-1403	02	A	IDN
		8-97585-617-0		1404-	02	AB	IDN
7		SCREW; RADIO 0-72180-520-0		1312-1403	02	A	(B) M5X20 HEXALOBULAR SOCKET
		0-72180-520-0		1404-	02	AB	(B) M5X20 HEXALOBULAR SOCKET
		8-98063-767-0		1312-1403	04	A	RADIO AM/FM STEREO CD<UT3>,RADIO AM/FM<U69> (A) M5X7 HEXALOBULAR SOCKET
		8-98063-767-0		1404-	04	AB	IDN RADIO AM/FM STEREO CD<UT3>,RADIO AM/FM<U69> (A) M5X7 HEXALOBULAR SOCKET
10		SCREW; ANTENNA CABLE 1-09981-536-1		1312-1403	02	A	M5X11
		1-09981-536-1		1404-	02	AB	M5X11
33		COVER; RADIO 8-97407-896-1		1312-1403	01	A	EXC. RADIO AM/FM STEREO CD<UT3>,RADIO AM/FM<U69> BLACK
		8-97407-896-1		1404-	01	AB	EXC. RADIO AM/FM STEREO CD<UT3>,RADIO AM/FM<U69> BLACK
36		SCREW; COVER 8-98058-632-0		1312-1403	02	A	EXC. RADIO AM/FM STEREO CD<UT3>,RADIO AM/FM<U69> M5X10 TAPPING W/TORQUES
		8-98058-632-0		1404-	02	AB	EXC. RADIO AM/FM STEREO CD<UT3>,RADIO AM/FM<U69> M5X10 TAPPING W/TORQUES
48		SPEAKER; AUDIO 8-97317-001-1		1312-1403	02	A	2-SPEAKER SYSTEM BASE<U95> IDN
		8-97317-001-1		1404-	02	AB	2-SPEAKER SYSTEM BASE<U95> IDN
49		SCREW; SPEAKER 8-98061-856-0		1312-1403	06	A	2-SPEAKER SYSTEM BASE<U95> M5X14 TAPPING W/TORQUES
		8-98061-856-0		1404-	06	AB	2-SPEAKER SYSTEM BASE<U95> M5X14 TAPPING W/TORQUES
52		GROMMET; SCREW,SPEAKER 8-94279-078-0		1312-1403	06	A	2-SPEAKER SYSTEM BASE<U95> D=8.6X7.7 L=7.5 IDN
		8-94279-078-0		1404-	06	AB	2-SPEAKER SYSTEM BASE<U95> D=8.6X7.7 L=7.5 IDN
80		ANTENNA 8-98139-014-0		1312-1403	01	A	
		8-98139-014-0		1404-	01	AB	
101		CLIP; FEEDER TO BRKT 8-94128-483-0		1312-1403	03	A	ID=4.8
		8-94128-483-0		1404-	03	AB	ID=4.8
224		CABLE; EXT,FEEDER 8-98063-002-1		1312-1403	01	A	
		8-98063-002-1		1404-	01	AB	
253		DECK ASM; RADIO & CD 8-98017-752-0		1312-1403	01	A	RADIO AM/FM STEREO CD<UT3> IDN
		8-98017-752-0		1404-	01	AB	RADIO AM/FM STEREO CD<UT3> IDN
268		KNOB; VOL 8-97375-820-0		1312-1403	01	A	RADIO AM/FM<U69> CLARION

8-90

RADIO AND TV

KEY	R / C	PART NAME PART NUMBER	I T C	APPLIED DATE	Qty	APPLIED MODEL	RESTRICTION/REMARKS
							A FVZ WIDE CAB(FGZ5MV) B GVZ WIDE CAB(GGZ5MV)
268		8-97375-820-0		1404-	01	AB	RADIO AM/FM<U69> CLARION
272		KNOB; AUDIO CONTROL 8-98048-329-0		1312-1403	01	A	RADIO AM/FM STEREO CD<UT3> CLARION IDN
		8-98048-329-0		1404-	01	AB	RADIO AM/FM STEREO CD<UT3> CLARION IDN
294		CAP; ANTENNA CABLE 8-98095-617-1		1312-1403	01	A	EXC. RADIO AM/FM STEREO CD<UT3>,RADIO AM/FM<U IDN
		8-98095-617-1		1404-	01	AB	EXC. RADIO AM/FM STEREO CD<UT3>,RADIO AM/FM<U IDN
7-40		Move to 7-40					
8-10		Move to 8-10					
6-30		Move to 6-30					